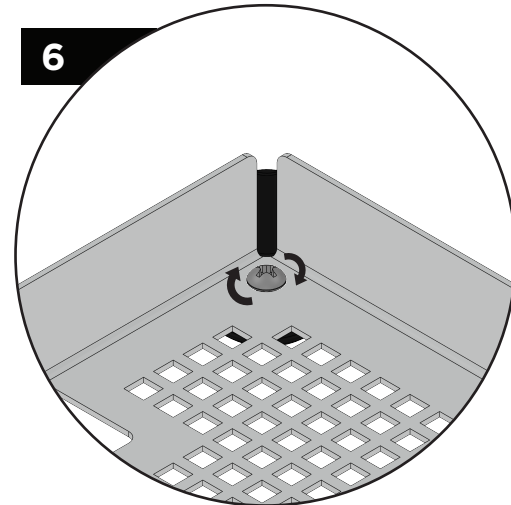
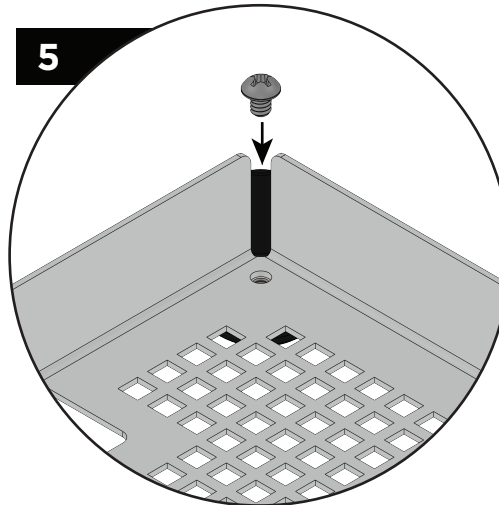
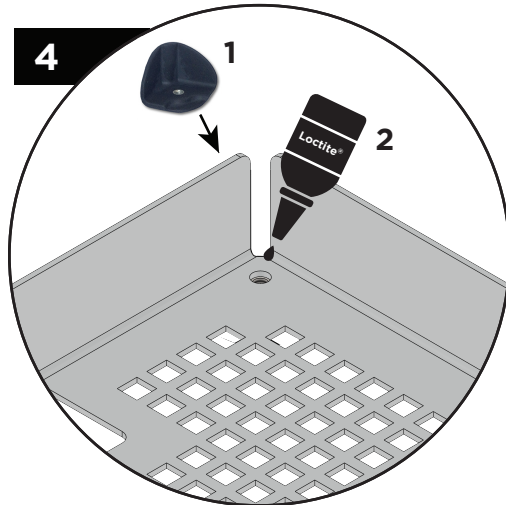
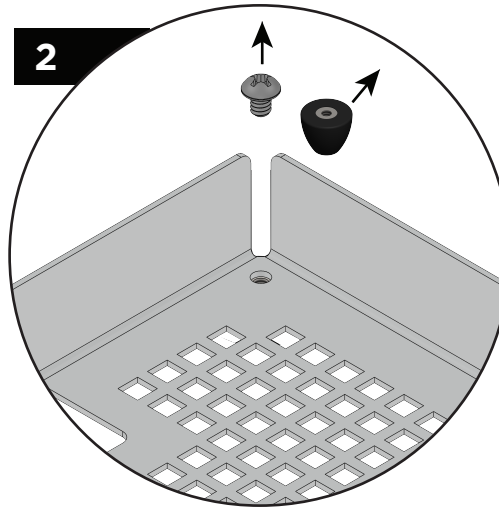
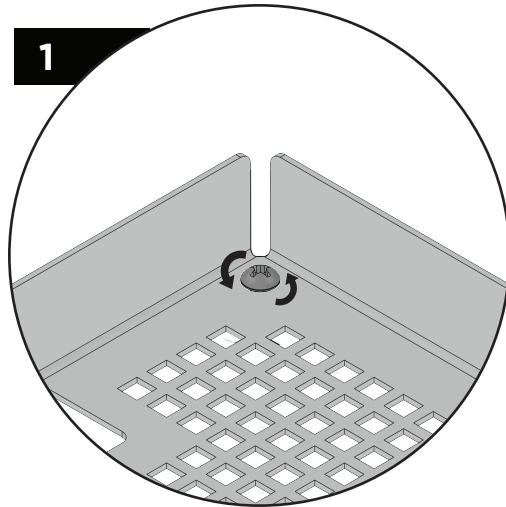
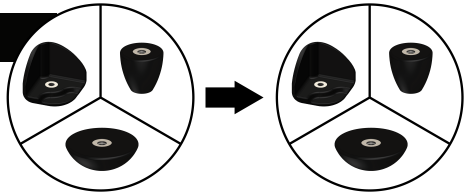


1-6



AN
INNOVIA
MEDICAL
COMPANY

Summit Medical LLC
815 Vikings Parkway, Suite 100
St. Paul, MN 55121 | USA

P: 1-888-229-2875 | +1 651-789-3939
F: 1-888-229-1941 | +1 651-789-3979

www.summitmedicalusa.com

www.instrusafe.com

US Patent #9,119,611
40191-03 | RevF | SEP2022