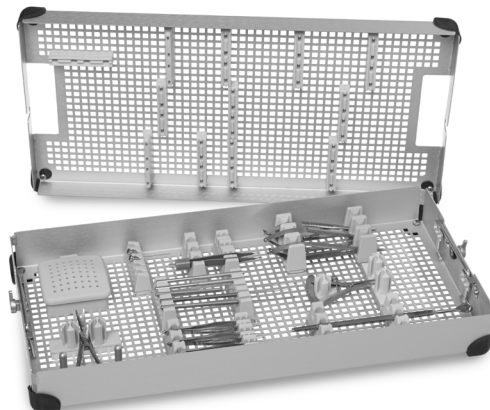




INTRUSAFE

- Ⓔ **EN** INSTRUMENT PROTECTION SYSTEMS INSTRUCTIONS FOR USE
- Ⓕ **FR** SYSTÈMES DE PROTECTION DES INSTRUMENTS MODE D'EMPLOI
- Ⓖ **DE** INSTRUMENTENSCHUTZSYSTEME GEBRAUCHSANWEISUNG
- Ⓘ **IT** SISTEMA DI PROTEZIONE STRUMENTI ISTRUZIONI PER L'USO
- Ⓔ **ES** SISTEMAS DE PROTECCIÓN DE INSTRUMENTAL INSTRUCCIONES DE USO
- Ⓕ **PT-BR** SISTEMAS DE PROTEÇÃO DE INSTRUMENTOS INSTRUÇÕES DE USO
- Ⓖ **NL** INSTRUMENTBESCHERMINGSSYSTEMEN GEBRUIKSAANWIJZING
- Ⓘ **SV** INSTRUMENTSKYDDSSYSTEM ANVÄNDARINSTRUKTIONER
- Ⓔ **DA** INSTRUMENTBESKYTTELSESYSTEMER BRUGSANVISNING
- Ⓕ **FI** INSTRUMENTTIEN SUOJAUSJÄRJESTELMÄT KÄYTTÖOHJEET
- Ⓖ **EL** ΣΥΣΤΗΜΑΤΑ ΠΡΟΣΤΑΣΙΑΣ ΟΡΓΑΝΩΝ ΟΔΗΓΙΕΣ ΧΡΗΣΗΣ
- Ⓘ **PL** SYSTEMY OCHRONY NARZĘDZI INSTRUKCJA UŻYTKOWANIA
- Ⓔ **TR** ALET KORUMA SİSTEMLERİ KULLANMA TALİMATLARI
- Ⓕ **RU** СИСТЕМЫ ЗАЩИТЫ ИНСТРУМЕНТОВ ИНСТРУКЦИЯ ПО ЭКСПЛУАТАЦИИ
- Ⓖ **CS** SYSTÉMY OCHRANY NÁSTROJŮ NÁVOD K POUŽITÍ
- Ⓘ **HU** MŰSZERVÉDŐ RENDSZEREK HASZNÁLATI ÚTMUTATÓ
- Ⓔ **SK** SYSTÉMY NA OCHRANU PRÍSTROJOV POKYNY NA POUŽITIE
- Ⓕ **NO** SYSTEMER FOR INSTRUMENTBESKYTTELSE BRUKSANVISNING
- Ⓖ **SL** SISTEMI ZA ZAŠČITO INSTRUMENTOV NAVODILA ZA UPORABO
- Ⓘ **BG** СИСТЕМИ ЗА ЗАЩИТА НА ИНСТРУМЕНТИ ИНСТРУКЦИИ ЗА УПОТРЕБА
- Ⓔ **RO** SISTEME DE PROTECȚIE A INSTRUMENTELOR INSTRUCȚIUNI DE UTILIZARE
- Ⓕ **ET** INSTRUMENTIDE KAITSESÜSTEEMID KASUTUSJUHEND
- Ⓖ **LV** INSTRUMENTU AIZSARDZĪBAS SISTĒMU LIETOŠANAS INSTRUKCIJA
- Ⓘ **HR** SUSTAV ZA ZAŠTITU INSTRUMENATA UPUTE ZA UPOTREBU
- Ⓔ **SR** SISTEMI ZAŠTITE INSTRUMENATA UPUTSTVO ZA UPOTREBU
- Ⓕ **LT** INSTRUMENTŲ APSAUGOS SISTEMŲ NAUDOJIMO INSTRUKCIJA
- Ⓖ **ZH-CN** 器械保护系统使用说明书
- Ⓘ **ZH** 器械保護系統使用說明書
- Ⓔ **KO** 기기 보호 시스템 사용 지침
- Ⓕ **JA** 器具保護システム 使用説明書



**TABLE OF CONTENTS / TABLE DES MATIÈRES / INHALT / INDICE /
 TABLA DE CONTEIDOS / CONTEÚDO / INHOUDSOPGAVE / INNEHÅLL /
 INDHOLDSFORTEGNELSE / SISÄLLYSLUETTELO /
 ΠΙΝΑΚΑΣ ΠΕΡΙΕΧΟΜΕΝΩΝ / SPIS TREŚCI / İÇİNDEKİLER / СОДЕРЖАНИЕ /
 OBSAH / TARTALOMJEGYZÉK / OBSAH / INNHOLDSFORTEGNELSE /
 KAZALO / СЪДЪРЖАНИЕ / CUPRINS / SISUKORD / SATURA RĀDĪTĀJS /
 SADRŽAJ / SADRŽAJ / TURINYS / 目录 / 目錄 / 목차 / 目次**

EN	English	1
FR	Français	12
DE	Deutsch	23
IT	Italiano	34
ES	Español	45
PT-BR	Português	56
NL	Nederlands	67
SV	Svenska	78
DA	Dansk	89
FI	Suomi	100
EL	Ελληνικά	111
PL	Polski	122
TR	Türkçe	133
RU	Русский	144
CS	Česky	155
HU	Magyar	166
SK	Slovenčina	177
NO	Norsk	188
SL	Slovenski	199
BG	Български	210
RO	Română	221
ET	Eesti	232
LV	Latviešu	243
HR	Hrvatski	254
SR	Srpski	265
LT	Lietuvių k.	276
ZH-CN	中文	287
ZH	中文	298
KO	한국어	309
JA	日本語	320

- EN** Request a printed instructions for use manual at no cost that arrives within 7 days of request confirmation.
- FR** Vous pouvez demander un mode d'emploi imprimé gratuit, qui vous sera adressé dans les 7 jours suivant la confirmation de la demande.
- DE** Fordern Sie gratis eine gedruckte Version der Gebrauchsanweisung an; diese wird Ihnen innerhalb von 7 Tagen nach Eingang Ihrer Anfrage zugestellt.
- IT** Richiedere un manuale stampato gratuito contenente le istruzioni per l'uso che arriverà entro 7 giorni dalla conferma della richiesta.
- ES** Solicitar un manual de instrucciones de uso impreso sin coste que llegará en los 7 días posteriores a la confirmación de la solicitud.
- PT-BR** Solicite um manual de instruções de uso impresso sem custo que chega em até 7 dias após a confirmação do pedido.
- NL** Vraag gratis deze handleiding op papier. U ontvangt deze binnen 7 dagen na bevestiging van uw aanvraag.
- SV** Begär användarinstruktioner på papper som kommer kostnadsfritt inom 7 dagar efter bekräftad förfrågan.
- DA** Bed om en gratis trykt version af brugsanvisningen, som vil ankomme inden for 7 dage fra bekræftelsen af anmodningen.
- FI** Pyydä tulostetut käyttöohjeet ilmaiseksi, saat ne 7 päivän kuluessa tilauksen vahvistuksesta.
- EL** Ζητήστε ένα έντυπο εγχειρίδιο οδηγιών χρήσης χωρίς χρέωση που θα το λάβετε εντός 7 ημερών από την αίτηση Επιβεβαίωση.
- PL** Fizyczna instrukcja obsługi dostępna jest bezpłatnie, na życzenie. Zostanie dostarczona w przeciągu 7 dni od potwierdzenia zgłoszenia.
- TR** İsteğin onaylanmasıyla 7 gün içerisinde ulaşan basılı bir kullanma kılavuzunu ücretsiz olarak isteyin.
- RU** Закажите бесплатно печатную версию инструкции по эксплуатации, которая будет доставлена в течение семи дней с момента подтверждения заявки.
- CS** Požádejte o vytištěný návod k použití, který zdarma dorazí během 7 dní od potvrzení žádosti.
- HU** Igényeljen ingyenesen nyomtatott használati útmutatót, amelyet a kérés visszaigazolásától számított 7 napon belül kézhez kap.
- SK** Požiadajte o bezplatné doručenie tlačeného návodu na použitie, ktorý vám bude doručený do 7 dní od potvrdenia žiadosti.
- NO** Be om en kostnadsfri, trykt bruksanvisning som ankommer innen sju dager etter at forespørselen blir bekreftet.
- SL** Zahtevajte brezplačna tiskana navodila za uporabo, ki prispejo v 7 dneh po potrditvi zahteve.
- BG** Поискайте безплатно отпечатано ръководство с инструкции за употреба, което ще пристигне в срок от 7 дни след потвърждаване на заявката.
- RO** Solicitați gratuit un manual cu instrucțiuni de utilizare pe suport de hârtie, pe care-l veți primi în termen de 7 zile de la confirmarea solicitării.
- ET** Prinditud kasutusjuhendi tasuta tellimisel saabub see 7 päeva jooksul pärast tellimuse kinnitamist.
- LV** Pieprasiet izdrukātos norādījumus lietošanas rokasgrāmatai bez maksas, kas tiks piegādāti 7 dienu laikā pēc pieprasījuma.
- HR** Zatražite besplatni ispisani priručnik s uputama za upotrebu koji će stići na vašu adresu u roku od 7 dana od potvrde zahtjeva.
- SR** Zatražite besplatni štampani priručnik sa uputstvima za upotrebu koji stiže u roku od 7 dana od potvrde zahteva.
- LT** Užsisakykite spausdintą naudojimo instrukciją, kuri bus nemokamai pristatyta per 7 dienas nuo prašymo patvirtinimo.
- ZH-CN** 索取一份免费的印刷版使用说明书，将在要求确认后7天内送达。
- ZH** 索取一份免費的列印版使用說明書，將在要求確認後 7 天內送達。
- KO** 요청 확인 후 7일 이내에 도착하는 인쇄된 사용 지침을 무료로 요청하십시오.
- JA** 使用説明書（ペーパー版）を請求すると無料で提供され、請求確認後7日以内に到着するように手配されます。





The instructions provided within have been validated by the device manufacturer as being capable of reprocessing reusable medical devices.

Individual sterilizers, instrument cleanliness, specific loading of instrument trays, types and geometry of instruments, sterilization containers, filters, and wrappings vary at each location.

READ THIS SECTION BEFORE PLACING PRODUCT INTO SERVICE

INTENDED USE/INDICATIONS FOR USE SUMMARY

The InstruSafe® Instrument Protection Systems cassettes/trays are intended to contain and protect reusable medical devices during transport, sterilization, and storage. InstruSafe® Instrument Protection System cassettes/trays are used to organize and protect other medical devices that are sterilized by a healthcare provider. InstruSafe Instrument Protection System cassettes/trays are intended to allow sterilization of the enclosed medical devices during these sterilization cycles:

- Pre-Vacuum Steam (ISO 17665-1 and EN 285)
- Ethylene Oxide (ISO 11135)
- Validated Low Temperature Sterilization, (ISO 14937) i.e.
 - STERRAD® 100S Standard (short)
 - STERRAD® 100NX® Express, Standard, and Flex
 - STERRAD® NX® Standard
 - STERIS® AMSCO® V-PRO 1®, V-PRO 1 Plus, V-PRO maX and V-PRO maX 2
 - Sterizone® VP4

The InstruSafe Instrument Protection System cassettes/trays are not intended on their own to maintain sterility. The InstruSafe Instrument Protection System cassettes/trays are intended to be used in conjunction with a legally marketed wrap, Aesculap® rigid containers, or Genesis™ rigid containers.

InstruSafe Sterilization Containers have been validated for use with InstruSafe Instrument Protection System cassettes/trays, (pre-vacuum, 270° F (132°C), 4-minute steam sterilization cycle only) under 510(k) K180528. Refer to the InstruSafe® Sterilization Container instructions for use for further information.

A full list of device models is provided in Appendix A, which can be viewed at www.instrusafe.com/ifus.

DEVICE DESCRIPTION

Summit Medical InstruSafe Instrument Protection Systems are cassettes/trays used to enclose and hold surgical instruments and instrument accessories in an organized manner during the sterilization process and subsequent storage and transportation. The cassettes/trays do not have direct patient contact. The cassettes/trays by themselves do not maintain sterility. The cassettes/trays are different sizes of the same basic configuration: a rectangular base with latchable cover. The cassettes/trays have perforations to allow sterilant penetration. The cassettes/trays contain silicone inserts in the base and/or cover to hold, organize, and protect the surgical instruments within the cassette/tray during the sterilization process and subsequent storage and transportation.

INTENDED USER

The InstruSafe® Instrument Protection Systems are intended to be used by healthcare professionals in the operating room and sterile processing department for transportation, sterilization, and storage of medical devices.

LIMITATION ON PROCESSING

1. The end of useful life on the InstruSafe Instrument Protection System is a minimum of 25 sterilization cycles. Inspect the tray before use for wear and damage caused by use. Discontinue use if visible signs of wear are present, including corrosion, mechanical failures, cracking, peeling, flaking, broken welds, damaged feet, damaged latches, damaged Hold-Its®/Hold-Downs, discoloration, etc.
2. See **Table 2** for sterilization methods and configurations.
3. **DO NOT OVERLOAD** InstruSafe Systems or components.
4. **DO NOT OVERLOAD** individual Hold-Its slots. Load only one instrument per Hold-Its slot.
5. For rigid container users, **DO NOT WRAP** InstruSafe Systems or components and place inside of container for sterilization.
6. Inside of sterilizers, **DO NOT STACK** individually wrapped or containerized InstruSafe Systems or components. Separate wrapped or containerized InstruSafe Systems or components from each other or any other items on separate shelves of the sterilizer to allow for maximum sterilant flow.
7. The use of non absorbent tray liners (e.g. silicone fingered organizing mat) can cause condensate to pool. If visible moisture is present, re-sterilize with a longer dry time.
8. The total weight of the container system (e.g. container, tray, and instrument load) must not exceed 25 pounds (11.34 kg).
9. Instruments (e.g. endoscopes and instruments with lumens or channels) should be prepared and sterilized according to the instrument manufacturer's instructions.
10. It is the responsibility of the processor to maintain specific validations for the terminal sterilization process being applied to the configurations of instruments and containers being presented to the sterilization process.
11. Consult sterilizer manufacturer's instructions for use for additional limitations (e.g. dimensional or weight constraints).

WARNINGS

- For aluminum InstruSafe Systems, use only neutral pH (6.0 – 8.5) detergents to avoid damaging the finish. A detergent with a highly acidic or highly alkaline pH could permanently damage the anodized aluminum finish of the cassette and metal components.
- Do not use if package is damaged or unintentionally opened prior to use.

Note: Clean and inspect cassettes according to the instructions provided prior to placing into service.

UNIVERSAL PRECAUTIONS

- Personnel should wear all personal protective clothing and equipment as required by their employer's/department's operating procedures for the contamination level they will be exposed to.
- Keep dissimilar metals separated during sterilization to prevent corrosion.

POINT OF USE

Remove gross soil with disposable cloth/paper wipe. Contaminated components should be kept moist until qualified cleaning processes can be applied.

CLEANING

Refer to the instrument manufacturer's instructions for use for specific instructions for cleaning the instruments in the cassettes.

Use one of the following validated cleaning options to clean the cassette/tray is recommended.

Use only neutral pH (6.0 – 8.5) solutions free of sodium carbonate to avoid damaging finish for aluminum cassettes.

DO NOT use scouring pads or abrasive cleaners. **DO NOT** store cassette in liquid.

1. Manual Gross Decontamination:

- A. Materials needed: Neutral pH (6.0 – 8.5) enzymatic detergent, soft bristle brush, and running water.
- B. Remove all visible soil and contaminants using a soft bristle brush. The entire cassette should be immersed while cleaning, to aid in the removal of contaminants and to reduce splashing of detergent on personnel, for a minimum of 2 minutes.
- C. Rinse thoroughly for a minimum of 1 minute with clean water to remove all detergent. See rinsing instructions on the detergent label.

2. Ultrasonic Clean:

- A. Prepare enzyme wash in an ultrasonic cleaning unit.
- B. Place a single cassette in the detergent and run for a minimum of ten minutes.
- C. Rinse for a minimum of 2 minutes with cold tap water.
- D. Visually inspect cassette for contaminants. Repeat the cycle if necessary to remove visible contamination.

3. Automated Washer:

The InstruSafe Instrument Protection Systems have been validated for the automatic wash system cycle listed in **Table 1**. Qualification of specific parameters will need to be conducted by the processor.

Table 1

CYCLE	WATER TEMPERATURE	CLEANING PROCESS
Pre-Wash 1 & 2	Cold Tap Water	Re-Circulation Time: 2 Minutes
Enzyme Wash	Hot Tap Water	Soaking Time: 4 Minutes
Wash 1	Heated at 150°F (65.5°C)	Re-Circulation Time: 15 Minutes
Rinse 1 & 2	Hot Tap Water	Re-Circulation Time: 5 Minutes

Note: After completion of an automatic wash cycle, visually inspect the InstruSafe System (cassette and accessories) for any remaining visible soil. All visible soil must be removed by hand cleaning, brushing, ultrasonic, or additional automatic cycles prior to sending to sterilization.

DISINFECTION

InstruSafe systems are intended to be terminally sterilized.

MAINTENANCE, INSPECTION, AND TESTING

InstruSafe systems may be reused until unacceptable deterioration such as corrosion, cracking, rust, peeling, flaking, discoloration, or mechanical failure occurs.

Signs of Mechanical Failure Include:

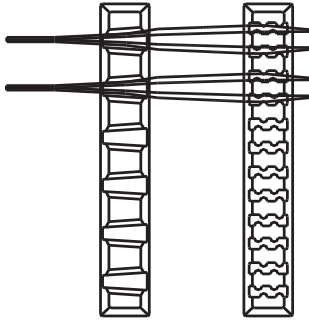
- Broken or cracked corners or welds
- Broken or non-working latches
- Missing, torn, or cut silicone inserts
- Missing or damaged feet

ASSEMBLY

1. Place the instruments in the predetermined holders or area defined by the locating posts so that all instrument surfaces will be exposed to sterilant. See **Figure A**. Be sure that only one instrument is in each slot. When possible, disassemble or open all parts of the instrumentation per the instrument manufacturer's instructions.

DO NOT overload holders or exceed weight limits of cassettes. See Appendix A.

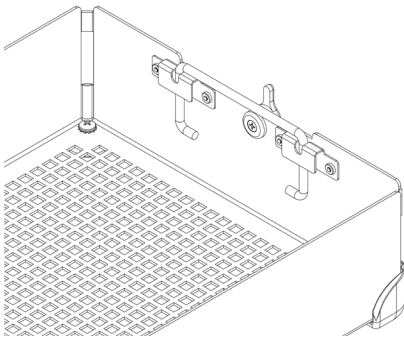
Figure A.



Note: Instruments (e.g. endoscopes and instruments with lumens or channels) should be prepared and sterilized according to the instrument manufacturer's instructions for use.

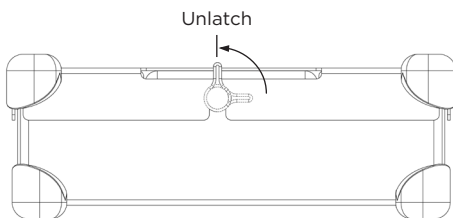
2. Ensure that handles are positioned inside the cassette (retracted position). Shown in **Figure B**.

Figure B.



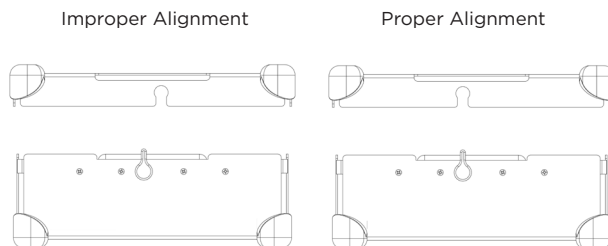
3. Place the cassette cover on the cassette base ensuring that the latches are properly positioned with the latch slot on the cassette cover, then close the latches. See **Figure C**.

Figure C.



Note: The latches are offset so that the cassette cover always aligns properly with the base. This ensures that the holders are aligned when the cover is secured. See **Figure D** for proper alignment. **DO NOT force the cassette cover onto the cassette base as it may damage instruments and the cassette.**

Figure D.



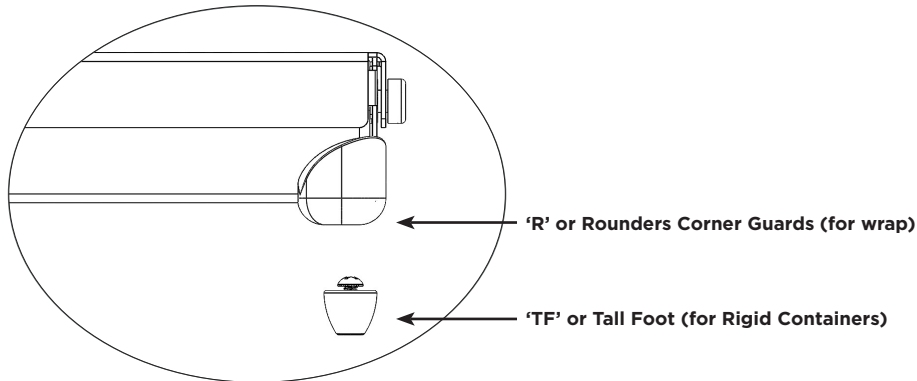
PACKAGING

InstruSafe Systems may be wrapped with a legally marketed wrap or placed in a legally marketed rigid container. Refer to the Indications for Use statements found in the instructions for use.

Using with Wrap:

1. Before wrapping the cassette, ensure it has the proper foot style. R should be used with wrap. See **Figure F**.

Figure F.



2. Wrap the cassette using legally marketed wrap per the wrap manufacturer's instructions.
3. Sterilize the pack using one of the sterilization cycles listed in the instructions for use.

Using with Rigid Container:

Refer to the Indications for Use statements found in the instructions for use.

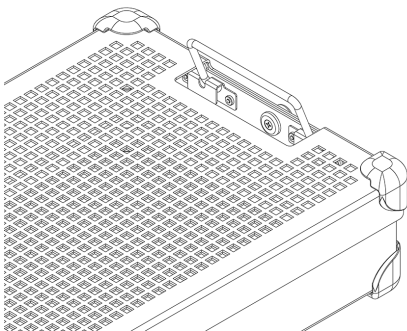
1. Before placing the cassette in a rigid container ensure it has the proper foot style. TF should be used with a rigid container. See **Figure F**.
2. Place the cassette into the rigid container. Follow the container manufacturer's instructions for sealing the container.
Note: Do not wrap the cassettes before placing into the container for sterilization.
3. Sterilize the container and contents using one of the sterilization cycles listed in the instructions for use.

Additional Information:

To remove the cassette from a rigid container aseptically, follow container manufacturer's instructions for use.

1. With gloved hands, place palms outward and reach through the openings in the cassette cover.
2. Grasp the cassette handles and lift to their raised position. See **Figure G**.

Figure G.



3. Tilt the handles inward, away from the sides of the rigid container, and lift the cassette out of the container being careful to not touch the top or outside of the container.
4. Place cassette on a sterile surface.

STERILIZATION

See **Table 2** for sterilization parameters that have been qualified for the sterilization of InstruSafe Systems.

Table 2.

STERILIZATION METHOD	CYCLE (<i>times</i>)
Pre-Vacuum Steam	Parameter: Temperature 270°F (132°C) Expose Time 4 minutes Dry Time 30 minutes
Ethylene Oxide (EO)	Preconditioning: Temperature 131°F (55°C) Relative humidity 70 ± 15% Precondition time 1 hour Sterilization: Exposure time 120 minutes Temperature 131°F (55°C) Aeration time 12 hours
STERRAD 100S	<i>Standard</i>
STERRAD 100NX	<i>Standard, Express, Flex</i>
STERRAD NX	<i>Standard</i>
STERIS AMSCO V-PRO 1	<i>Standard</i>
STERIS AMSCO V-PRO 1 PLUS	<i>Lumen, Non-Lumen</i>
STERIS AMSCO V-PRO maX	<i>Lumen, Non-Lumen</i>
STERIS AMSCO V-PRO maX 2	<i>Lumen, Non-Lumen</i>
Sterizone VP4	<i>Cycle 1</i>

Summit Medical has validated the following sterilization methods:

- The 4 minute autoclave sterilization cycle in legally marketed wrap, InstruSafe Sterilization Container, Aesculap rigid container, or Genesis rigid container cleared by the FDA. Under K180528, the InstruSafe Sterilization Container was validated for use with the InstruSafe Instrument Protection System cassettes/trays.
- The Ethylene Oxide (EO) sterilization cycle in legally marketed wrap or a Genesis sterile container cleared by the FDA.
- The STERRAD 100S Standard sterilization cycle in legally marketed wrap or an Aesculap rigid container cleared by the FDA.
- The STERRAD 100NX Standard sterilization cycle in legally marketed wrap or an Aesculap rigid container cleared by the FDA.
- The STERRAD 100NX Express sterilization cycle in legally marketed wrap cleared by the FDA.
- The STERRAD 100NX Flex sterilization cycle in legally marketed wrap or an Aesculap rigid container cleared by the FDA.
- The STERRAD NX Standard sterilization cycle in legally marketed wrap or an Aesculap rigid container cleared by the FDA.
- The STERIS AMSCO V-PRO 1, V-PRO 1 PLUS, V-PRO maX and V-PRO maX 2 sterilization cycles in legally marketed wrap or an Aesculap rigid container cleared by the FDA.
- The Sterizone VP4 sterilization cycle in legally marketed wrap or an Aesculap rigid container cleared by the FDA

DO NOT exceed the load capacity of the sterile container as specified by the manufacturer.

Use an FDA cleared accessory to maintain sterility.

Please consult the sterilizer instruction manual to ensure intended loads are compatible with the intended sterilization cycle.

Please consult the container instructions for use to ensure that the intended load is compatible with the FDA cleared loads for the container.

INDICATIONS FOR USE

4 Minute Steam, Wrap & Aesculap® Rigid Container

InstruSafe® Instrument Protection System cassettes are used to organize and protect other medical devices that are sterilized by a healthcare provider. InstruSafe Instrument Protection System cassettes are intended to allow sterilization of the enclosed medical devices during a pre-vacuum steam sterilization cycle. The InstruSafe Instrument Protection System cassettes are intended to be used in conjunction with a legally marketed wrap or Aesculap rigid container. The InstruSafe Instrument Protection System cassettes are not intended on their own to maintain sterility.

Autoclave Sterilization Parameter	
Cycle	Pre-Vacuum
Temperature	270°F (132°C)
Exposure Time	4 minutes
Minimum Dry Time	30 minutes
Summit Cassette Model	Aesculap Container Model
IN-8823-AE	*JN444
IN-2880	*JK444
IN-6105	*JN742
*Validated by Summit Medical for use in Pre-Vacuum Steam sterilizers ONLY operating at 270°F (132°C) for 4 minutes exposure time. Consult container instructions to ensure that contents do not exceed the sterilization container's intended load claims.	

Lumen Claims for 4 Minute Pre-Vacuum Steam Sterilization Cycle			
Summit Cassette Model	Minimum Inside Diameter	Maximum Length	Number of Lumens
IN-8823-CF	3mm	400mm	4
IN-8823-CF	3mm	200mm	2
IN-2880	1mm	76mm	2
IN-2880	3mm	177mm	1
IN-6105	5mm	241mm	1
IN-2681	1mm	65mm	1
IN-2681	3mm	200mm	1
IN-7823	1mm	400mm	17

4 Minute Steam, Genesis™ Rigid Container

InstruSafe® Instrument Protection System cassettes are used to organize and protect other medical devices that are sterilized by a healthcare provider. InstruSafe Instrument Protection System cassettes are intended to allow sterilization of the enclosed medical devices during a pre-vacuum steam sterilization cycle. The InstruSafe Instrument Protection System cassettes are intended to be used in conjunction with a legally marketed Genesis rigid containers. The InstruSafe Instrument Protection System cassettes are not intended on their own to maintain sterility. A full list of device models is provided in Appendix A.

Lumen Claims for 4 Minute Pre-Vacuum Steam Sterilization Cycle			
Summit Cassette Model	Minimum Inside Diameter	Maximum Length	Number of Lumens
IN-2681	1mm	65mm	1
IN-2681	3mm	200mm	1
IN-6105	5mm	241mm	1
IN-0000	1mm	400mm	5
	3mm	400mm	1
	5mm	400mm	1

INDICATIONS FOR USE (continued)

8 Minute Steam & Ethylene Oxide (EO), Wrap & Genesis™ Rigid Container

InstruSafe® Instrument Protection System cassettes are used to organize and protect other medical devices that are sterilized by a healthcare provider. InstruSafe System cassettes are intended to allow sterilization of the enclosed medical devices during Pre-Vacuum steam or ethylene oxide sterilization cycles. The InstruSafe System cassettes are intended to be used in conjunction with central legally marketed wrap or with a Genesis rigid container. The InstruSafe System cassettes are not intended on the own to maintain sterility.

Sterilization methods and configurations

Steam 8 Minute Preconditioning at 132°C	
140 count woven wrap	10 minute dry time
Non-woven wrap (Kimberly Clark)	50 minute dry time
Genesis Container (reference Table 1 for filter paper to use)	30 minute dry time

Ethylene Oxide (EO)
<ul style="list-style-type: none"> ▪ 1 hour preconditioning at 131°F (55°C) with relative Humidity of 70 ± 15% ▪ 2 hours exposure at 131°F (55°C) ▪ 12 hours aeration

Genesis Container	Genesis Container Filter Paper
CD2-4B	FX3-1: 9x9"
CD2-5B	FX3-1: 9x9"
CD3-4B	FX3-1: 9x9"
CD3-5B	FX3-1: 9x9"
CD3-6B	FX3-1: 9x9"
CD3-7B	FX3-1: 9x9"
CD4-5B	FO3-2: 9x6"
CD5-61B	FO3-2: 9x6"
CD6-6B	FX3-1: 9x9"

See V. Mueller Genesis Sterilizer Container system User's Operating Instructions when using any Genesis Rigid Container.

STERRAD® 100S & STERRAD® 100NX® Standard Cycles, Wrap & Aesculap® Rigid Container

InstruSafe® Instrument Protection System cassettes are used to organize and protect other medical devices that are sterilized by a healthcare provider. InstruSafe Instrument Protection System cassettes are intended to allow sterilization of the enclosed medical devices during a Sterrad 100S Standard and Sterrad 100NX Standard sterilization cycles. The InstruSafe Instrument Protection System cassettes are intended to be used in conjunction with legally marketed wrap or Aesculap rigid container. The InstruSafe Instrument Protection System cassettes are not intended on their own to maintain sterility. A full list of device models is provided in Appendix A.

The following sterilization trays were validated with the corresponding rigid containers:

STERRAD 100S Standard Cycle	
Summit Cassette Model	Aesculap Container Model
IN-8823-AE	*JM444
IN-6105	*JM440

STERRAD 100NX Standard Cycle	
Summit Cassette Model	Aesculap Container Model
IN-8823-AE	*JM444
IN-6105	*JM440

*Validated by Summit Medical for use in STERRAD 100S Standard Cycle and STERRAD 100NX Standard Cycle ONLY. Consult container instructions to ensure that contents do not exceed the sterilization container's intended load claims.

Lumen Claims for STERRAD 100S Standard and STERRAD 100NX Standard Cycles	
4 Stainless steel lumens with 3mm inner diameter x 400mm length	All appropriately sized models are listed in Appendix A with the exception of IN-2681.
2 Stainless steel lumens with 3mm inner diameter x 200mm length	
1 Stainless steel lumens with 3mm inner diameter x 200mm length	IN-2681
1 Stainless steel lumens with 1mm inner diameter x 65mm length	

INDICATIONS FOR USE (continued)

STERRAD® NX® Standard Cycle, Wrap & Aesculap® Rigid Container

InstruSafe® Instrument Protection System cassettes are used to organize and protect other medical devices that are sterilized by a healthcare provider. InstruSafe Instrument Protection System cassettes are intended to allow sterilization of the enclosed medical devices during a Sterrad NX Standard Sterilization Cycle. The InstruSafe Instrument Protection System cassettes are intended to be used in conjunction with a legally marketed wrap or Aesculap rigid container. The InstruSafe Instrument Protection System cassettes are not intended on their own to maintain sterility. A full list of device models is provided in Appendix A.

Sterilization Methods and configurations
- Sterrad NX Standard Sterilization Cycle

Lumen Claims for STERRAD NX Standard Sterilization Cycle			
Summit Cassette Model	Minimum Inside Diameter	Maximum Length	Number of Lumens
IN-2681	1mm	65mm	1
IN-2681	3mm	200mm	1
IN-8987-S	1mm	500mm	5
IN-8615	2.3mm	210mm	5
IN-6105	4mm	235mm	1
Note: The worst case validated load based on vent-to-volume calculation is the IN-2681 tray.			

STERRAD® 100NX® Express Cycle, Wrap

InstruSafe® Instrument Protection System cassettes are used to organize and protect other medical devices that are sterilized by a healthcare provider. InstruSafe Instrument Protection System cassettes are intended to allow sterilization of the enclosed medical devices during a Sterrad® 100NX Express Cycle. The InstruSafe Instrument Protection System cassettes are intended to be used in conjunction with a legally marketed wrap. The InstruSafe Instrument Protection System cassettes are not intended on their own to maintain sterility. The InstruSafe Instrument Protection System has no lumen claims for the Sterrad 100NX Express Cycle.

STERRAD® 100NX® Flex Sterilization Cycle, Wrap & Aesculap® Rigid Container

InstruSafe® Instrument Protection System cassettes are used to organize and protect other medical devices that are sterilized by a healthcare provider. InstruSafe Instrument Protection System cassettes are intended to allow sterilization of the enclosed medical devices during a Sterrad 100NX Flex Sterilization Cycle. The InstruSafe Instrument Protection System cassettes are intended to be used in conjunction with a legally marketed wrap or Aesculap rigid container. The InstruSafe Instrument Protection System cassettes are not intended on their own to maintain sterility. A full list of device models is provided in Appendix A.

STERRAD 100NX Flex Sterilization Cycle	
Summit Cassette Model	Aesculap Container Model
IN-0000	*JM440
IN-6105	*JM440
<i>*Validated by Summit Medical for use in STERRAD 100NX Flex Sterilization Cycle ONLY. Consult container instructions to ensure that contents do not exceed the sterilization container's intended load claims.</i>	

Lumen Claims for STERRAD 100NX Flex Sterilization Cycle				
Summit Cassette Model	Minimum Inside Diameter	Maximum Length	Number of Lumens	Wrap/Rigid Container
IN-0000	1mm	850mm	1	Wrap + Rigid Container
IN-8823	1mm	850mm	1	Wrap + Rigid Container
IN-7344	1mm	850mm	1	Wrap
IN-6105	4mm	235mm	1	Wrap + Rigid Container

The worst case validated load based on vent-to-volume calculation is the IN-0000 tray.

Note: The IN-0000 tray is for testing purposes only.

INDICATIONS FOR USE (continued)

AMSCO® V-PRO® Low Temperature Sterilization Cycles, Wrap & Aesculap® Rigid Container

InstruSafe® Instrument Protection System cassettes are used to organize and protect other medical devices that are sterilized by a healthcare provider. InstruSafe Instrument Protection System cassettes are intended to allow sterilization of the enclosed medical devices during Amsco V-PRO Low Temperature Sterilization Cycles. The InstruSafe Instrument Protection System cassettes are intended to be used in conjunction with a legally marketed wrap or Aesculap rigid container. The InstruSafe Instrument Protection System cassettes are not intended on their own to maintain sterility. A full list of device models is provided in Appendix A.

AMSCO V-PRO Low Temperature Sterilization Systems			
Sterilizer	Standard Cycle	Lumen Cycle	Non Lumen Cycle
V-PRO 1	X	N/A	N/A
V-PRO 1 PLUS	N/A	X	X
V-PRO maX	N/A	X	X
V-PRO maX 2	N/A	X	X
Summit Cassette Model		Aesculap Container Model	
IN-8823		*JM444	
IN-6105		*JM742	
*Validated by Summit Medical for use in AMSCO V-PRO Low Temperature Sterilization Systems ONLY. When using Aesculap container as sterile barrier, the load (Summit tray and contents), should not exceed the load claims for the container is weight or load type.			

Lumen size of instrumentation validated includes:			
Summit Cassette Model	Minimum Inside Diameter	Maximum Length	Number of Lumens
IN-8823	3mm	400mm	2
IN-6105	3mm	200mm	1
IN-2681	1mm	64mm	1
Note: The worst case validated load based on vent-to-volume calculation is the IN-2681 tray.			

INDICATIONS FOR USE (continued)

VP4 Sterizone, Wrap & Aesculap® Rigid Container

InstruSafe® Instrument Protection System cassettes (trays) are used to organize and protect other medical devices that are sterilized by a healthcare provider. InstruSafe Instrument Protection System cassettes are intended to allow sterilization of the enclosed medical devices during STERIZONE VP4 sterilization Cycle 1. The InstruSafe Instrument Protection System cassettes are intended to be used in conjunction with a legally marketed wrap or Aesculap rigid container. The InstruSafe Instrument Protection System cassettes are not intended on their own to maintain sterility.

Summit Medical has validated the use of the InstruSafe Instrument Protection System cassettes in Cycle 1 of the STERIZONE VP4 sterilizer through demonstrations of sterilization efficacy using representative samples of medical devices including general instruments, rigid and semi-rigid instruments with lumens, and flexible endoscopes. The validation provided information that has been used to establish design limits that are applied across the range of InstruSafe Instrument Protection System cassettes to ensure that all models fall within the validated limits for cassette ventilation, internal shelving, and weight:

- Minimum ventilation-to-volume ratio, general instruments: 0.073
- Minimum ventilation-to-volume ratio, flexible endoscopes: 0.263
- Maximum number of internal shelves: Two (2)
- Maximum cassette weight (including contents): 25 lbs/cassette

Refer to the table below for the validated loads using InstruSafe Instrument Protection System cassettes. Refer to the sterilizer manufacturer's instructions for use to ensure that loads do not exceed the claimed limits for the sterilizer.

Description of InstruSafe Instrument Protect System Loads.

Representative of STERIZONE® VP4 Sterilizer Validation Load No. (K190260)	Summit Medical Validation Load Description	Total Load Weight (excludes the 25-lbs. loading rack)
4	<p>Load 4a: Consisted of the load limit for rigid and semi-rigid channeled instruments:</p> <ul style="list-style-type: none"> • Three (3) double channel semi-rigid endoscopes (ureteroscope – 0.7 mm × 500 mm and 1.1 mm × 500 mm) were packaged, one (1) per cassette, in three (3) IN 7323-R cassettes. • Additional rigid channel instruments were added to reach a total of 15 channels. <p>Each cassette included appropriate silicone instrument holders and was wrapped.</p> <p>Load 4b: Consisted of the load limit for rigid and semi-rigid channeled instruments:</p> <ul style="list-style-type: none"> • Three (3) double channel semi-rigid endoscopes (ureteroscope – 0.7 mm × 400 mm and 1.1 mm × 400 mm) were packaged, one (1) per cassette, in three (3) IN-0007-TF cassettes. • Additional rigid channeled instruments were added to reach a total of 15 channels. <p>Each cassette included appropriate silicone instrument holders and was placed in an Aesculap JM440 rigid container.</p>	<p>Load 4a = 5 lbs/cassette, 15 lbs total</p> <p>Load 4b = 11 lbs/cassette, 33 lbs total</p>
7	<p>Summit Medical Validation Load 7a: Consisted of the load weight limit for general medical instruments representing the following geometries:</p> <ul style="list-style-type: none"> • Box-lock hinge • Pivot hinge • Luer-lock <p>General medical instruments were spread across three (3) IN-7323-R cassettes with appropriate silicone holders, each weighing 25 lbs. The cassettes were wrapped.</p> <p>Summit Medical Validation Load 7b: Consisted of the load weight limit for general medical instruments representing the following geometries:</p> <ul style="list-style-type: none"> • Box-lock hinge • Pivot hinge • Luer-lock <p>General medical instruments were spread across three (3) IN-0006-TF cassettes with appropriate silicone holders. Cassettes were placed in Aesculap JM440 containers, each weighing 25 lbs.</p>	<p>Load 7a = 25 lbs/cassette 75 lbs total</p> <p>Load 7b = 25 lbs/cassette 75 lbs total</p>
8	<p>Summit Medical Validation Load 8a: Consisted of the load limit of five (5) total flexible endoscope channels in wrapped cassettes:</p> <ul style="list-style-type: none"> • Two (2) double-channel flexible endoscopes (ureteroscopes – 1 mm × 850 mm and 1 mm × 989 mm) were packaged, one (1) per cassette, in IN-0003-R cassettes. • One (1) single-channel flexible endoscope (ureteroscope – 1 mm × 850 mm) was packaged in an IN-0004-R cassette. <p>Cassettes included appropriate silicone holders and were wrapped.</p> <p>Summit Medical Validation Load 8b: Consisted of the load limit of four (4) total flexible endoscope channels in cassettes packaged in rigid containers:</p> <ul style="list-style-type: none"> • Two (2) double channel flexible endoscopes (ureteroscope – 1 mm × 850 mm and 1 mm × 989 mm) were packaged, one (1) per cassette, in IN-0003-TF cassettes with appropriate silicone holders. <p>Each cassette was placed inside an Aesculap JM442 container.</p>	<p>Load 8a = 4.3 lbs/cassette, 13 lbs total</p> <p>Load 8b = 8.3 lbs/cassette, 25 lbs total</p>

STORAGE

Store terminally sterile cassettes that are wrapped or containerized on storage shelf in a horizontal position. Consult wrap or container manufacturer for shelf life information.

DISPOSAL

In the event the InstruSafe® Instrument Protection Systems do not pass inspection prior to use or have otherwise been deemed no longer fit for purpose, the devices shall be disposed of in line with local protocol. The method of disposal shall depend on the potential risks of cross-contamination and infection when the need for disposal is identified.

SERIOUS INCIDENT REPORTING

Any serious incident that has occurred in relation to the device should be reported to the manufacturer and the FDA/competent authority of the Member State in which the user and/or patient is established.

WARRANTY

LIMITED WARRANTY FOR SUMMIT MEDICAL INSTRUSAFE INSTRUMENT PROTECTION SYSTEM.

THIS LIMITED WARRANTY AND THE REMEDY PROVIDED HEREIN ARE EXCLUSIVE AND IN LIEU OF ALL OTHER EXPRESS WARRANTIES AND, UNLESS STATED HERE-IN, ANY STATEMENTS OR REPRESENTATIONS MADE BY ANY OTHER PERSON OR FIRM ARE VOID. THE DURATION OF ANY IMPLIED WARRANTIES OF MERCHANTABILITY OR FITNESS FOR A PARTICULAR PURPOSE SHALL BE LIMITED TO THE DURATION OF THE EXPRESS LIMITED WARRANTY. NEITHER SUMMIT MEDICAL NOR ITS AFFILIATES SHALL BE LIABLE FOR ANY INCIDENTAL, CONSEQUENTIAL OR SPECIAL LOSSES OR DAMAGES, RESULTING FROM THE USE OR INABILITY TO USE THE INSTRUSAFE SYSTEM, WHETHER RESULTING FROM BREACH OF WARRANTY OR ANY OTHER LEGAL THEORY.

This Limited Warranty gives you specific legal rights, and you may also have other rights which vary from State to State. Some States do not allow limitations on how long an implied warranty lasts, or do not allow the exclusion or limitation of incidental or consequential damages, so the above limitation or exclusions may not apply to you.

What Is Covered. Summit Medical warrants the original purchaser that the InstruSafe system enclosed with this Limited Warranty conforms to the manufacturer's specifications and is free from defects in workmanship and material for a period of 12 months from the date of original purchase. If the original purchaser transfers the InstruSafe System to another party, this Limited Warranty will not be enforceable by the party to whom the product is transferred.

What We Will Do To Correct Problems. Should your InstruSafe System prove defective during this period, you must notify Summit Medical or an authorized distributor or dealer of Summit Medical. You must permit Summit Medical or its representatives to make such investigation, examination and tests as Summit Medical deems appropriate and, if requested to do so, you will return the product to the factory at the address set forth below. Summit Medical's sole obligation under this Limited Warranty is, at its option, to repair or replace the defective product or products, without charge for parts or labor. Postage, insurance or shipping costs incurred in presenting your InstruSafe System product for warranty service are your responsibility.

What Is Not Covered. This Limited Warranty is contingent upon proper use and maintenance of the product; it does not cover products that have been improperly shipped, or that have been misused, abused, neglected, or improperly maintained, cleaned or stored, or that have been serviced other than by Summit Medical or an authorized distributor or dealer of Summit Medical or that have been modified without the express approval of Summit Medical. Failure to follow the directions in the owner's manual may constitute improper use or maintenance of the product and causes this Limited Warranty not to apply. This Warranty does not extend to normal wear or to replacement items.

If you have questions or claims related to this warranty, contact:

Customer Service Department
Summit Medical
815 Vikings Parkway, Suite 100
St. Paul, MN 55121 | USA
www.instrusafe.com

PHONE: 651-789-3939 | 888-229-2875
FAX: 651-789-3979 | 888-229-1941
EMAIL: customerservice@innoviamedical.com

Les instructions fournies dans ce document ont été validées par le fabricant du dispositif comme étant adéquates pour le reconditionnement des dispositifs médicaux réutilisables.

Les stérilisateur individuels, la propreté des instruments, le chargement spécifique des plateaux à instruments, les types et la forme des instruments, les boîtes de stérilisation, les filtres et les emballages varient selon le site.

LIRE CETTE SECTION AVANT DE METTRE LE PRODUIT EN SERVICE

UTILISATION PRÉVUE/RÉSUMÉ DES RECOMMANDATIONS D'UTILISATION

Les cassettes/plateaux des systèmes de protection des instruments InstruSafe® sont destinés à contenir et à protéger les dispositifs médicaux réutilisables pendant le transport, la stérilisation et le stockage. Les cassettes du système de protection des instruments InstruSafe® permettent d'organiser et de protéger les dispositifs médicaux stérilisés par un prestataire de soins de santé. Les cassettes/plateaux du système de protection des instruments InstruSafe permettent la stérilisation des dispositifs médicaux qu'ils/elles contiennent durant les cycles de stérilisation suivants :

- Vapeur, vide préalable (ISO 17665-1 et EN 285)
- Oxyde d'éthylène (ISO 11135)
- Stérilisation à basse température validée, (ISO 14937)
 - STERRAD® 100S Standard (cycle court)
 - STERRAD® 100NX® Express, Standard et Flex
 - STERRAD® NX® Standard
 - STERIS® AMSCO® V-PRO 1®, V-PRO 1 Plus, V-PRO maX et V-PRO maX 2
 - Sterizone® VP4

Les cassettes/plateaux du système de protection des instruments InstruSafe ne peuvent à eux seuls maintenir la stérilité.

Les cassettes/plateaux du système de protection des instruments InstruSafe doivent être utilisés en conjonction avec un emballage légalement commercialisé, des boîtes rigides Aesculap® ou des boîtes rigides Genesis™.

Les boîtes de stérilisation InstruSafe ont été validées pour une utilisation avec les cassettes/plateaux du système de protection des instruments InstruSafe (cycle de stérilisation à la vapeur de 4 minutes à 132°C (270°F), avec vide préalable, uniquement) conformément à l'autorisation 510(k) K180528. Consulter le mode d'emploi des boîtes de stérilisation InstruSafe® pour plus d'informations.

La liste complète des modèles est fournie à l'Annexe A, et peut également être consultée à l'adresse www.instrusafe.com/ifus.

DESCRIPTION DU DISPOSITIF

Les systèmes de protection des instruments Summit Medical InstruSafe sont des cassettes/plateaux dans lesquels les instruments chirurgicaux et les accessoires sont rangés de façon organisée en vue de leur stérilisation, de leur stockage et de leur transport. Les cassettes/plateaux ne sont pas en contact direct avec le patient. Les cassettes/plateaux ne peuvent à eux seuls maintenir la stérilité. Les cassettes/plateaux sont proposés dans différentes tailles dans la même configuration de base : une base rectangulaire avec un couvercle à loquet. Les cassettes/plateaux sont perforés pour permettre la pénétration de l'agent stérilisant. Les cassettes/plateaux contiennent des inserts en silicone dans la base et/ou le couvercle pour maintenir, organiser et protéger les instruments chirurgicaux pendant leur stérilisation, leur stockage et leur transport.

UTILISATEUR PRÉVU

Les systèmes de protection des instruments InstruSafe® sont destinés à être utilisés par des professionnels de santé en salle d'opération et dans les services de traitement stérile, pour le transport, la stérilisation et le stockage des dispositifs médicaux.

LIMITES DE TRAITEMENT

1. La fin de la vie utile du système de protection des instruments InstruSafe correspond à 25 cycles de stérilisation minimum. Inspecter le plateau avant utilisation pour déceler des signes d'usure et de dommages causés par l'utilisation. Cesser toute utilisation en cas de signes visibles d'usure, y compris de corrosion, de défaillances mécaniques, de fissure, de décollement, d'écaillage, de soudures cassées, de pieds endommagés, de loquets abîmés, de dispositifs Hold-Its®/Hold-Downs abîmés, de décoloration, etc.
2. Voir le **Tableau 2** pour les méthodes de stérilisation et les configurations.
3. **NE PAS SURCHARGER** les systèmes InstruSafe ou les composants.
4. **NE PAS SURCHARGER** les fentes Hold-Its individuelles. Charger un seul instrument par fente Hold-Its.
5. Pour les utilisateurs de boîtes rigides, **NE PAS ENVELOPPER** les systèmes InstruSafe ou les composants et les placer à l'intérieur de la boîte pour stérilisation.
6. À l'intérieur des stérilisateur, **NE PAS EMPILER** de systèmes InstruSafe ou de composants sous emballage individuel ou sous boîte rigide. Placer les systèmes InstruSafe ou les composants sous emballage individuel ou sous boîte rigide, ou tout autre objet à stériliser, sur des étagères séparées du stérilisateur pour permettre une circulation maximale de l'agent stérilisant.
7. L'emploi de couvre-plateaux non absorbants (par exemple, tapis à picots en silicone) peut entraîner l'accumulation de condensation. Si de l'humidité visible est présente, stériliser à nouveau en augmentant le temps de séchage.
8. Le poids total du système de boîte (par ex. boîte, plateau et instruments chargés) ne doit pas dépasser 11,34 kg (25 livres).
9. Les instruments complexes (par ex., endoscopes et instruments à lumières ou canaux) doivent être préparés et stérilisés conformément au mode d'emploi de leur fabricant.
10. Il incombe au responsable du traitement de mettre en place des validations spécifiques pour le processus de stérilisation final appliqué aux configurations d'instruments et de boîtes concernées par le processus de stérilisation.
11. Consulter les instructions d'utilisation fournies par le fabricant du stérilisateur pour connaître les éventuelles limitations supplémentaires (par exemple, contraintes dimensionnelles ou de poids).

AVERTISSEMENTS

- Pour les systèmes InstruSafe en aluminium, utiliser seulement des détergents à pH neutre (6 à 8,5) pour éviter d'abîmer la finition. Un détergent au pH ultra-acide ou ultra-alkalin peut endommager de manière irréversible la finition en aluminium anodisé de la cassette et des composants métalliques.
- Ne pas utiliser si l'emballage est endommagé ou ouvert par inadvertance avant l'utilisation.

Remarque : Nettoyer et inspecter les cassettes conformément aux instructions fournies avant la mise en service.

PRÉCAUTIONS UNIVERSELLES

- Le personnel doit porter tous les vêtements et équipements de protection individuelle requis par les procédures opérationnelles de leur employeur/service en fonction du niveau de contamination auquel il sera exposé.
- Garder les métaux dissemblables séparés durant la stérilisation pour empêcher la corrosion.

POINT D'UTILISATION

Éliminer les souillures visibles avec une serviette en papier/un chiffon jetable. Les composants contaminés doivent être maintenus humides jusqu'à ce que des procédures de nettoyage appropriées puissent être appliquées.

NETTOYAGE

Consulter les instructions d'utilisation du fabricant de l'instrument pour obtenir des instructions plus précises concernant le nettoyage des instruments dans les cassettes.

Il est recommandé d'utiliser l'une des options de nettoyage validées suivantes pour nettoyer la cassette/le plateau.

Utiliser uniquement des solutions à pH neutre (6 à 8,5) dépourvues de carbonate de sodium, pour éviter d'abîmer la finition des cassettes en aluminium.

NE PAS utiliser de tampons à récurer ou de nettoyants abrasifs. **NE PAS** stocker la cassette dans un liquide.

1. Décontamination primaire manuelle :

- Matériel nécessaire : Détergent enzymatique à pH neutre (6,0 à 8,5), brosse à poils souples et eau courante.
- Enlever toutes les souillures visibles et particules étrangères avec une brosse à poils souples. La cassette doit être totalement immergée pendant 2 minutes au moins durant le nettoyage pour faciliter l'élimination des particules étrangères et limiter les projections de détergent sur le personnel.
- Rincer minutieusement pendant 1 minute minimum à l'eau claire pour enlever tout le détergent. Voir les instructions de rinçage sur l'étiquette du détergent.

2. Nettoyage dans un sonicateur :

- Préparer le lavage enzymatique dans un sonicateur.
- Placer une seule cassette dans le détergent et traiter pendant dix minutes minimum.
- Rincer pendant 2 minutes minimum à l'eau froide du robinet.
- Inspecter la cassette pour vérifier l'élimination des particules étrangères. Répéter le cycle si nécessaire pour éliminer toute contamination visible

3. Lavage automatique :

Les systèmes de protection des instruments InstruSafe sont validés pour les cycles de système de lavage automatique indiqués dans le **tableau 1**.

Il revient au responsable du traitement de valider les paramètres spécifiques.

Tableau 1

CYCLE	TEMPÉRATURE DE L'EAU	PROCÉDURE DE NETTOYAGE
Prélavages 1 et 2	Eau froide du robinet	Temps de recirculation : 2 minutes
Lavage enzymatique	Eau chaude du robinet	Temps de trempage : 4 minutes
Lavage 1	Eau chauffée à 65,5°C (150°F)	Temps de recirculation : 15 minutes
Rinçages 1 et 2	Eau chaude du robinet	Temps de recirculation : 5 minutes

Remarque : Une fois qu'un cycle de lavage automatique est terminé, inspecter le système InstruSafe (cassette et accessoires) pour s'assurer qu'il ne reste pas de souillures visibles. Toutes les souillures visibles doivent être enlevées par nettoyage manuel, brossage, nettoyage aux ultrasons et cycles automatiques supplémentaires avant d'envoyer le système à la stérilisation.

DÉSINFECTION

Les systèmes InstruSafe doivent être stérilisés à l'étape finale.

MAINTENANCE, INSPECTION ET TESTS

Les systèmes InstruSafe peuvent être réutilisés jusqu'à ce qu'une détérioration inacceptable telle que de la corrosion, des fissures, de la rouille, un décollement, un écaillage, une décoloration ou une défaillance mécanique se produise.

Les signes de défaillance mécanique incluent :

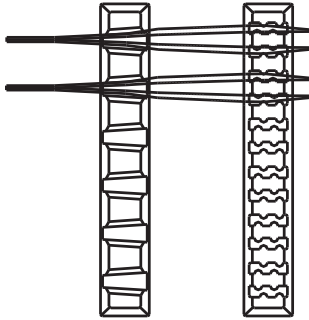
- Angles ou soudures cassés ou fissurés
- Loquets cassés ou non fonctionnels
- Inserts en silicone manquants, déchirés ou coupés
- Pieds manquants ou endommagés

ASSEMBLAGE

1. Placer les instruments dans les supports prédéterminés ou la zone définie en fonction des montants de localisation de manière à ce que toutes les surfaces des instruments soient exposées au stérilisant. Voir la **Figure A**. Veiller à mettre un seul instrument par fente. Si possible, démonter ou ouvrir toutes les pièces de l'instrument en suivant les instructions du fabricant de l'instrument.

NE PAS surcharger les supports ni dépasser le poids limite des cassettes. Voir l'Annexe A.

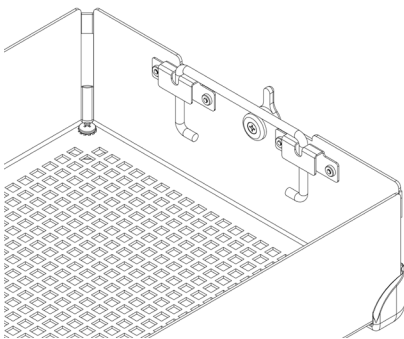
Figure A.



Remarque : Les instruments complexes (par ex., endoscopes et instruments à lumières ou canaux) doivent être préparés et stérilisés conformément au mode d'emploi de leur fabricant.

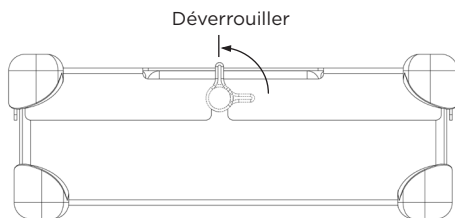
2. S'assurer que les poignées sont à l'intérieur de la cassette (position rétractée). (**Figure B**).

Figure B.



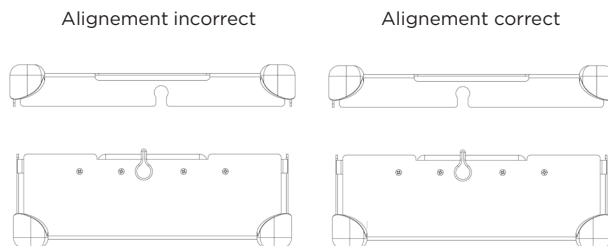
3. Placer le couvercle de la cassette sur la base de la cassette, en s'assurant que les loquets sont correctement alignés sur la fente du loquet du couvercle de la cassette, puis fermer les loquets. Voir la **Figure C**.

Figure C.



Remarque : Les loquets sont excentrés de sorte que le couvercle de la cassette s'aligne toujours correctement sur la base du plateau. Ceci garantit que les supports sont alignés lorsque le couvercle est verrouillé. Pour un alignement correct, voir la **Figure D**. **NE PAS forcer l'insertion du couvercle de la cassette sur la base de la cassette sous peine d'abîmer les instruments et la cassette.**

Figure D.



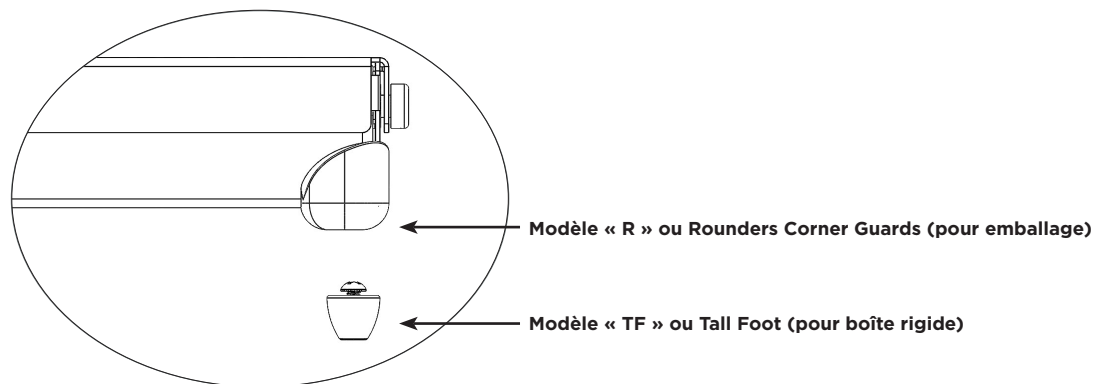
EMBALLAGE

Les systèmes InstruSafe peuvent être emballés dans un emballage légalement commercialisé ou placés dans une boîte rigide légalement commercialisée. Se reporter aux recommandations d'utilisation qui se trouvent dans le mode d'emploi.

Utilisation avec un emballage :

1. Avant d'emballer la cassette, s'assurer que ses pieds sont de style adéquat. Les pieds R doivent être utilisés avec l'emballage. Voir la **Figure F**.

Figure F.



2. Envelopper la cassette en utilisant l'emballage légalement commercialisé et en suivant les instructions du fabricant de l'emballage.
3. Stériliser le tout en utilisant un des cycles de stérilisation indiqués dans la section des recommandations d'utilisation.

Utilisation avec une boîte rigide :

Se reporter aux méthodes de stérilisation indiquées dans le mode d'emploi.

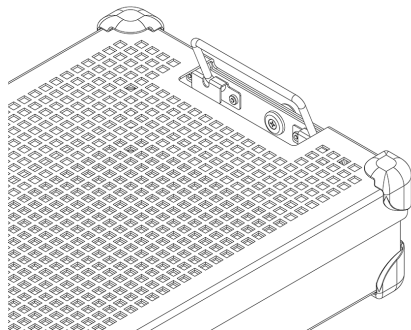
1. Avant de placer la cassette dans une boîte rigide, s'assurer que le modèle de pieds est adéquat. Le modèle TF doit être utilisé avec une boîte rigide. Voir la **Figure F**.
2. Placer la cassette dans la boîte rigide. Suivre les instructions du fabricant de la boîte pour la fermer hermétiquement.
Remarque : Ne pas emballer les cassettes avant de les placer dans la boîte pour stérilisation.
3. Stériliser la boîte et le contenu en utilisant un des cycles de stérilisation indiqués dans le mode d'emploi.

Informations supplémentaires :

Pour enlever la cassette d'une boîte rigide de manière aseptique, suivre les instructions d'utilisation du fabricant de la boîte.

1. Après avoir revêtu des gants stériles, tourner les paumes vers l'extérieur et passer les mains à travers les ouvertures du couvercle de la cassette
2. Saisir les poignées de la cassette et les relever en position haute. Voir la **Figure G**.

Figure G.



3. Incliner les poignées vers l'intérieur, en les écartant des parois de la boîte rigide, puis soulever la cassette pour l'extraire de la boîte en veillant à ne pas toucher le dessus ou l'extérieur de la boîte.
4. Placer la cassette sur une surface stérile.

STÉRILISATION

Pour les paramètres de stérilisation qui ont été validés pour la stérilisation des systèmes InstruSafe, consulter le **Tableau 2**.

Tableau 2.

MÉTHODE DE STÉRILISATION	CYCLE (temps)
Vapeur, vide préalable	Paramètres : Température 132°C (270°F) Temps d'exposition 4 minutes Temps de séchage 30 minutes
Oxyde d'éthylène (OE)	Préconditionnement : Température 55°C (131°F) Humidité relative 70 ± 15 % Temps de préconditionnement 1 heure Stérilisation : Temps d'exposition 120 minutes Température 55°C (131°F) Temps d'aération 12 heures
STERRAD 100S	<i>Standard</i>
STERRAD 100NX	<i>Standard, Express, Flex</i>
STERRAD NX	<i>Standard</i>
STERIS AMSCO V-PRO 1	<i>Standard</i>
STERIS AMSCO V-PRO 1 PLUS	<i>Lumière, sans lumière</i>
STERIS AMSCO V-PRO maX	<i>Lumière, sans lumière</i>
STERIS AMSCO V-PRO maX 2	<i>Lumière, sans lumière</i>
Sterizone VP4	<i>Cycle 1</i>

Summit Medical a validé les méthodes de stérilisation suivantes :

- Le cycle de stérilisation à l'autoclave de 4 minutes dans un emballage légalement commercialisé, une boîte de stérilisation InstruSafe, ou une boîte rigide Aesculap ou Genesis autorisé par la FDA. Conformément à l'autorisation K180528, la boîte de stérilisation InstruSafe a été validée pour une utilisation avec les cassettes/plateaux du système de protection des instruments InstruSafe.
- Le cycle de stérilisation à l'oxyde d'éthylène (OE) dans un emballage légalement commercialisé ou une boîte rigide Genesis autorisé par la FDA.
- Le cycle de stérilisation STERRAD 100S Standard dans un emballage légalement commercialisé ou une boîte rigide Aesculap autorisé par la FDA.
- Le cycle de stérilisation STERRAD 100NX Standard dans un emballage légalement commercialisé ou une boîte rigide Aesculap autorisé par la FDA.
- Le cycle de stérilisation STERRAD 100NX Express dans un emballage légalement commercialisé autorisé par la FDA.
- Le cycle de stérilisation STERRAD 100NX Flex dans un emballage légalement commercialisé ou une boîte rigide Aesculap autorisé par la FDA.
- Le cycle de stérilisation STERRAD NX Standard dans un emballage légalement commercialisé ou une boîte rigide Aesculap autorisé par la FDA.
- Les cycles de stérilisation STERIS AMSCO V-PRO, V-PRO 1 PLUS, V-PRO maX et V-PRO maX 2 dans un emballage légalement commercialisé ou une boîte rigide Aesculap autorisés par la FDA.
- Le cycle de stérilisation Sterizone VP4 dans un emballage légalement commercialisé ou une boîte rigide Aesculap autorisé par la FDA.

NE PAS dépasser la charge limite de la boîte stérile spécifiée par le fabricant.

Utiliser un accessoire autorisé par la FDA pour maintenir la stérilité.

Consulter le manuel d'instructions du stérilisateur pour s'assurer que les charges prévues sont compatibles avec le cycle de stérilisation prévu.

Consulter les instructions d'utilisation de la boîte pour s'assurer que la charge prévue est compatible avec les charges autorisées par la FDA pour la boîte.

RECOMMANDATIONS D'UTILISATION

Cycle de stérilisation à la vapeur pendant 4 minutes, emballage et boîte rigide Aesculap®

Les cassettes du système de protection InstruSafe® permettent d'organiser et de protéger les dispositifs médicaux stérilisés par un prestataire de soins de santé. Les cassettes du système de protection des instruments InstruSafe permettent la stérilisation des dispositifs médicaux qu'elles contiennent durant un cycle de stérilisation à la vapeur avec vide préalable. Les cassettes du système de protection des instruments InstruSafe doivent être utilisées en conjonction avec un emballage légalement commercialisé ou des boîtes rigides Aesculap. Les cassettes du système de protection des instruments InstruSafe ne peuvent à elles seules maintenir la stérilité.

Paramètres de stérilisation en autoclave	
Cycle	Vide préalable
Température	132 °C (270 °F)
Temps d'exposition	4 minutes
Temps de séchage minimum	30 minutes
Modèle de cassette Summit	Modèle de boîte Aesculap
IN-8823-AE	*JN444
IN-2880	*JK444
IN-6105	*JN742
*Validé par Summit Medical pour une utilisation dans des stérilisateur à vapeur avec vide préalable SEULEMENT fonctionnant à 132 °C (270 °F) pendant un temps d'exposition de 4 minutes. Consulter le mode d'emploi de la boîte pour s'assurer que le contenu ne dépasse pas la charge limite prévue pour la boîte de stérilisation.	

Dimensions de lumière pour cycle de stérilisation à la vapeur avec vide préalable pendant 4 minutes			
Modèle de cassette Summit	Diamètre interne minimal	Longueur maximale	Nombre de lumières
IN-8823-CF	3 mm	400 mm	4
IN-8823-CF	3 mm	200 mm	2
IN-2880	1 mm	76 mm	2
IN-2880	3 mm	177 mm	1
IN-6105	5 mm	241 mm	1
IN-2681	1 mm	65 mm	1
IN-2681	3 mm	200 mm	1
IN-7823	1 mm	400 mm	17

Cycle de stérilisation à la vapeur pendant 4 minutes, boîte rigide Genesis™

Les cassettes du système de protection des instruments InstruSafe® permettent d'organiser et de protéger les dispositifs médicaux stérilisés par un prestataire de soins de santé. Les cassettes du système de protection des instruments InstruSafe permettent la stérilisation des dispositifs médicaux qu'elles contiennent durant un cycle de stérilisation à la vapeur avec vide préalable. Les cassettes du système de protection des instruments InstruSafe doivent être utilisées en conjonction avec des boîtes rigides Genesis légalement commercialisées. Les cassettes du système de protection des instruments InstruSafe ne peuvent à elles seules maintenir la stérilité. La liste complète des modèles du dispositif est fournie à l'Annexe A.

Dimensions de lumière pour cycle de stérilisation à la vapeur avec vide préalable pendant 4 minutes			
Modèle de cassette Summit	Diamètre interne minimal	Longueur maximale	Nombre de lumières
IN-2681	1 mm	65 mm	1
IN-2681	3 mm	200 mm	1
IN-6105	5 mm	241 mm	1
IN-0000	1 mm	400 mm	5
	3 mm	400 mm	1
	5 mm	400 mm	1

RECOMMANDATIONS D'UTILISATION (suite)

Cycle de stérilisation à la vapeur et à l'oxyde d'éthylène (OE) pendant 8 minutes, emballage et boîte rigide Genesis™

Les cassettes du système de protection des instruments InstruSafe® permettent d'organiser et de protéger les dispositifs médicaux stérilisés par un prestataire de soins de santé. Les cassettes du système de protection des instruments InstruSafe permettent la stérilisation des dispositifs médicaux qu'elles contiennent durant des cycles de stérilisation à la vapeur avec vide préalable ou à l'oxyde d'éthylène. Les cassettes du système InstruSafe doivent être utilisées en conjonction avec un emballage légalement commercialisé ou des boîtes rigides Genesis. Les cassettes du système InstruSafe ne peuvent à elles seules maintenir la stérilité.

Méthodes de stérilisation et configurations

Cycle à la vapeur de 8 minutes avec préconditionnement à 132°C (269 F)	
Emballage tissé 140 points	10 minutes de temps de séchage
Emballage non tissé (Kimberly Clark)	50 minutes de temps de séchage
Boîtier Genesis (se reporter au Tableau 1 pour le papier filtre à utiliser)	30 minutes de temps de séchage

Oxyde d'éthylène (OE)
<ul style="list-style-type: none"> ▪ 1 heure de préconditionnement à 55°C (131°F) avec une humidité relative de 70 ± 15 % ▪ 2 heures d'exposition à 55°C (131°F) ▪ 12 heures d'aération

Boîte Genesis	Papier filtre pour boîte Genesis
CD2-4B	FX3-1 : 23 X 23 cm (9x9 po)
CD2-5B	FX3-1 : 23 X 23 cm (9x9 po)
CD3-4B	FX3-1 : 23 X 23 cm (9x9 po)
CD3-5B	FX3-1 : 23 X 23 cm (9x9 po)
CD3-6B	FX3-1 : 23 X 23 cm (9x9 po)
CD3-7B	FX3-1 : 23 X 23 cm (9x9 po)
CD4-5B	FO3-2 : 23 X 23 cm (9x6 po)
CD5-61B	FO3-2 : 23 X 23 cm (9x6 po)
CD6-6B	FX3-1 : 23 X 23 cm (9x9 po)

Consulter les instructions d'utilisation des boîtes Genesis V. Mueller lors de l'utilisation de boîtes rigides Genesis.

Cycles STERRAD® 100S Standard et STERRAD® 100NX® Standard, emballage et boîte rigide Aesculap®

Les cassettes du système de protection des instruments InstruSafe® permettent d'organiser et de protéger les dispositifs médicaux stérilisés par un prestataire de soins de santé. Les cassettes du système de protection des instruments InstruSafe permettent la stérilisation des dispositifs médicaux qu'elles contiennent durant les cycles de stérilisation STERRAD 100S Standard et STERRAD 100NX Standard. Les cassettes du système de protection des instruments InstruSafe doivent être utilisées en conjonction avec un emballage légalement commercialisé ou des boîtes rigides Aesculap. Les cassettes du système de protection des instruments InstruSafe ne peuvent à elles seules maintenir la stérilité. La liste complète des modèles du dispositif est fournie à l'Annexe A.

Les plateaux de stérilisation suivants ont été validés avec les boîtes rigides correspondantes :

Cycle STERRAD 100S Standard	
Modèle de cassette Summit	Modèle de boîte Aesculap
IN-8823-AE	*JM444
IN-6105	*JM440

Cycle STERRAD 100NX Standard	
Modèle de cassette Summit	Modèle de boîte Aesculap
IN-8823-AE	*JM444
IN-6105	*JM440

*Validé par Summit Medical pour une utilisation en cycle STERRAD 100S Standard et STERRAD 100NX Standard UNIQUEMENT. Consulter le mode d'emploi de la boîte pour s'assurer que le contenu ne dépasse pas la charge limite prévue pour la boîte de stérilisation.

Dimensions de lumière pour cycles STERRAD 100S Standard et STERRAD 100NX Standard	
4 lumières en acier inoxydable de 3 mm de diamètre interne x 400mm de long	Tous les modèles de taille appropriée sont listés dans l'Annexe A à l'exception de IN-2681.
2 lumières en acier inoxydable de 3 mm de diamètre interne x 200 mm de long	
1 lumière en acier inoxydable de 3 mm de diamètre interne x 200 mm de long	IN-2681
1 lumière en acier inoxydable de 1 mm de diamètre interne x 65 mm de long	

RECOMMANDATIONS D'UTILISATION (suite)

Cycle STERRAD® NX® Standard, emballage et boîte rigide Aesculap®

Les cassettes du système de protection des instruments InstruSafe® permettent d'organiser et de protéger les dispositifs médicaux stérilisés par un prestataire de soins de santé. Les cassettes du système de protection des instruments InstruSafe permettent la stérilisation des dispositifs médicaux qu'elles contiennent durant le cycle de stérilisation STERRAD NX Standard. Les cassettes du système de protection des instruments InstruSafe doivent être utilisées en conjonction avec un emballage légalement commercialisé ou des boîtes rigides Aesculap. Les cassettes du système de protection des instruments InstruSafe ne peuvent à elles seules maintenir la stérilité. La liste complète des modèles du dispositif est fournie à l'Annexe A.

Méthodes de stérilisation et configurations
- Cycle de stérilisation STERRAD NX Standard

Dimensions de lumière pour cycles de stérilisation STERRAD NX Standard			
Modèle de cassette Summit	Diamètre interne minimal	Longueur maximale	Nombre de lumières
IN-2681	1 mm	65 mm	1
IN-2681	3 mm	200 mm	1
IN-8987-S	1 mm	500 mm	5
IN-8615	2,3 mm	210 mm	5
IN-6105	4 mm	235 mm	1

Remarque : La charge validée dans le pire des cas en se basant sur le calcul ventilation/volume est le plateau IN-2681.

Cycle STERRAD® 100NX® Express, emballage

Les cassettes du système de protection des instruments InstruSafe® permettent d'organiser et de protéger les dispositifs médicaux stérilisés par un prestataire de soins de santé. Les cassettes du système de protection des instruments InstruSafe permettent la stérilisation des dispositifs médicaux qu'elles contiennent durant le cycle STERRAD® 100NX Express. Les cassettes du système de protection des instruments InstruSafe doivent être utilisées avec des emballages légalement commercialisés. Les cassettes du système de protection des instruments InstruSafe ne peuvent à elles seules maintenir la stérilité. Le système de protection des instruments InstruSafe n'a pas de dimensions de lumière validées pour le cycle STERRAD 100NX Express.

Cycle de stérilisation STERRAD® 100NX® Flex, emballage et boîte rigide Aesculap®

Les cassettes du système de protection des instruments InstruSafe® permettent d'organiser et de protéger les dispositifs médicaux stérilisés par un prestataire de soins de santé. Les cassettes du système de protection des instruments InstruSafe permettent la stérilisation des dispositifs médicaux qu'elles contiennent durant le cycle de stérilisation STERRAD 100NX Flex. Les cassettes du système de protection des instruments InstruSafe doivent être utilisées en conjonction avec un emballage légalement commercialisé ou des boîtes rigides Aesculap. Les cassettes du système de protection des instruments InstruSafe ne peuvent à elles seules maintenir la stérilité. La liste complète des modèles du dispositif est fournie à l'Annexe A.

Cycle de stérilisation STERRAD 100NX Flex	
Modèle de cassette Summit	Modèle de boîte Aesculap
IN-0000	*JM440
IN-6105	*JM440

**Validé par Summit Medical pour une utilisation en cycle de stérilisation STERRAD 100NX Flex UNIQUEMENT. Consulter le mode d'emploi de la boîte pour s'assurer que le contenu ne dépasse pas la charge limite prévue pour la boîte de stérilisation.*

Dimensions de lumière pour cycles de stérilisation STERRAD 100NX Flex				
Modèle de cassette Summit	Diamètre interne minimal	Longueur maximale	Nombre de lumières	Emballage / Boîte rigide
IN-0000	1 mm	850 mm	1	Emballage + boîte rigide
IN-8823	1 mm	850 mm	1	Emballage + boîte rigide
IN-7344	1 mm	850 mm	1	Emballage
IN-6105	4 mm	235 mm	1	Emballage + boîte rigide

La charge validée dans le pire des cas en se basant sur le calcul ventilation/volume est le plateau IN-0000.

Remarque : Le plateau IN-0000 est destiné uniquement à des fins de test.

RECOMMANDATIONS D'UTILISATION (suite)

Cycles de stérilisation à basse température AMSCO® V-PRO®, emballage et boîte rigide Aesculap®

Les cassettes du système de protection des instruments InstruSafe® permettent d'organiser et de protéger les dispositifs médicaux stérilisés par un prestataire de soins de santé. Les cassettes du système de protection des instruments InstruSafe permettent la stérilisation des dispositifs médicaux qu'elles contiennent durant des cycles de stérilisation à basse température AMSCO V-PRO. Les cassettes du système de protection des instruments InstruSafe doivent être utilisées en conjonction avec un emballage légalement commercialisé ou des boîtes rigides Aesculap. Les cassettes du système de protection des instruments InstruSafe ne peuvent à elles seules maintenir la stérilité. La liste complète des modèles du dispositif est fournie à l'Annexe A.

Systèmes de stérilisation à basse température AMSCO V-PRO			
Stérilisateur	Cycle standard	Cycle avec lumière	Cycle sans lumière
V-PRO 1	X	S.O.	S.O.
V-PRO 1 PLUS	S.O.	X	X
V-PRO maX	S.O.	X	X
V-PRO maX 2	S.O.	X	X
Modèle de cassette Summit		Modèle de boîte Aesculap	
IN-8823		*JM444	
IN-6105		*JM742	
*Validé par Summit Medical pour une utilisation en cycle de stérilisation à basse température AMSCO V-PRO UNIQUEMENT. Lorsque la boîte Aesculap est utilisée comme barrière stérile, la charge (plateau Summit et son contenu) ne doit pas dépasser la charge limite prévue pour la boîte en termes de poids ou de type de charge.			

Dimensions de lumière d'instrument validées :			
Modèle de cassette Summit	Diamètre interne minimal	Longueur maximale	Nombre de lumières
IN-8823	3 mm	400 mm	2
IN-6105	3 mm	200 mm	1
IN-2681	1 mm	64 mm	1
Remarque : La charge validée dans le pire des cas en se basant sur le calcul ventilation/volume est le plateau IN-2681.			

RECOMMANDATIONS D'UTILISATION (suite)

VP4 Sterizone, emballage et boîte rigide Aesculap®

Les cassettes du système de protection des instruments InstruSafe® permettent d'organiser et de protéger les dispositifs médicaux stérilisés par un prestataire de soins de santé. Les cassettes du système de protection des instruments InstruSafe permettent la stérilisation des dispositifs médicaux qu'elles contiennent durant le cycle 1 de la stérilisation STERIZONE VP4. Les cassettes du système de protection des instruments InstruSafe doivent être utilisées en conjonction avec un emballage légalement commercialisé ou des boîtes rigides Aesculap. Les cassettes du système de protection des instruments InstruSafe ne peuvent à elles seules maintenir la stérilité.

Summit Medical a validé l'utilisation des cassettes du système de protection des instruments InstruSafe dans le cycle 1 du stérilisateur STERIZONE VP4 par le biais de démonstrations d'efficacité de la stérilisation basées sur des échantillons représentatifs de dispositifs médicaux, y compris des instruments généraux, des instruments rigides et semi-rigides avec lumières et des endoscopes flexibles. Cette validation a fourni des informations qui ont été utilisées pour établir les limites de conception qui sont appliquées à travers la gamme de cassettes du système de protection des instruments InstruSafe pour s'assurer que tous les modèles respectent les limites validées pour la ventilation des cassettes, les étagères internes et le poids :

- Rapport ventilation/volume minimal, instruments généraux : 0,073
- Rapport ventilation/volume minimal, endoscopes flexibles : 0,263
- Nombre maximum d'étagères internes : Deux (2)
- Poids maximum de la cassette (y compris le contenu) : 11,3 kg (25 livres)/cassette

Voir le tableau ci-dessous pour connaître les charges validées pour les cassettes du système de protection des instruments InstruSafe. Consulter les instructions d'utilisation du fabricant du stérilisateur pour s'assurer que les charges ne dépassent pas les limites spécifiées pour le stérilisateur.

Description des charges du système de protection des instruments InstruSafe.

Représentatif de la charge de validation du stérilisateur STERIZONE® VP4 n° (K190260)	Description de la charge de validation Summit Medical	Poids total de la charge (à l'exclusion du rack de chargement de 11,3 kg/25 livres)
4	<p>Charge 4a : limite de charge pour les instruments à canaux rigides et semi-rigides :</p> <ul style="list-style-type: none"> • Trois (3) endoscopes semi-rigides à double canal (urétroscope - 0,7 mm × 500 mm et 1,1 mm × 500 mm) ont été emballés, un (1) par cassette, dans trois (3) cassettes IN 7323-R. • Des instruments à canaux rigides supplémentaires ont été ajoutés pour atteindre un total de 15 canaux. Chaque cassette comprenait des porte-instruments en silicone appropriés et était emballée. <p>Charge 4b : limite de charge pour les instruments à canaux rigides et semi-rigides :</p> <ul style="list-style-type: none"> • Trois (3) endoscopes semi-rigides à double canal (urétroscope - 0,7 mm × 400 mm et 1,1 mm × 400 mm) ont été emballés, un (1) par cassette, dans trois (3) cassettes IN-0007-TF. • Des instruments à canaux rigides supplémentaires ont été ajoutés pour atteindre un total de 15 canaux. Chaque cassette comprenait des porte-instruments en silicone appropriés et était placée dans une boîte rigide Aesculap JM440. 	<p>Charge 4a = 2,27 kg (5 livres)/cassette, 6,8 kg (15 livres) au total</p> <p>Charge 4b = 2,27 kg (11 livres)/cassette, 6,8 kg (33 livres) au total</p>
7	<p>Validation Summit Medical pour la charge 7a : Limite de charge pour les instruments médicaux généraux avec les géométries suivantes :</p> <ul style="list-style-type: none"> • Charnière Box-lock • Charnière pivot • Luer-lock <p>Les instruments médicaux généraux ont été répartis sur trois (3) cassettes IN-7323-R avec des supports en silicone appropriés, chacun pesant 11,3 kg (25 livres). Les cassettes étaient emballées.</p> <p>Validation Summit Medical pour la charge 7b : Limite de charge pour les instruments médicaux généraux avec les géométries suivantes :</p> <ul style="list-style-type: none"> • Charnière Box-lock • Charnière pivot • Luer-lock <p>Les instruments médicaux généraux ont été répartis sur trois (3) cassettes IN-0006-TF avec des supports en silicone appropriés. Les cassettes ont été placées dans des boîtes Aesculap JM440, chacune pesant 11,3 kg (25 livres).</p>	<p>Charge 7a = 11,3 kg (25 livres)/cassette 6,8 kg (75 livres) au total</p> <p>Charge 7b = 11,3 kg (25 livres)/cassette 6,8 kg (75 livres) au total</p>
8	<p>Validation Summit Medical pour la charge 8a : Limite de charge pour cinq (5) canaux endoscopiques flexibles dans des cassettes emballées :</p> <ul style="list-style-type: none"> • Deux (2) endoscopes flexibles à double canal (urétroscope - 1 mm × 850 mm et 1 mm × 989 mm) ont été emballés, un (1) par cassette, dans des cassettes IN-0003-R. • Un (1) endoscope flexible monocanal (urétroscope - 1 mm × 850 mm) a été emballé dans une cassette IN-0004-R. <p>Chaque cassette comprenait un support en silicone approprié et était emballée.</p> <p>Validation Summit Medical pour la charge 8b : Limite de charge pour quatre (4) canaux endoscopiques flexibles dans des cassettes emballées dans des boîtes rigides :</p> <ul style="list-style-type: none"> • Deux (2) endoscopes flexibles à double canal (urétroscope - 1 mm × 850 mm et 1 mm × 989 mm) ont été emballés, un (1) par cassette, dans des cassettes IN-0003-TF avec des supports en silicone appropriés. Chaque cassette a été placée dans une boîte Aesculap JM442. 	<p>Charge 8a = 2,27 kg (4,3 livres)/cassette, 6,8 kg (13 livres) au total</p> <p>Charge 8b = 2,27 kg (8,3 livres)/cassette, 6,8 kg (25 livres) au total</p>

STOCKAGE

Après leur stérilisation sous emballage ou dans une boîte rigide, les cassettes doivent être rangées, sur l'étagère de stockage en position horizontale. Pour la durée de conservation, consulter le fabricant de l'emballage ou de la boîte.

MISE AU REBUT

Dans le cas où les systèmes de protection des instruments InstruSafe® ne passent pas l'inspection avant utilisation ou sont considérés comme n'étant plus adaptés à l'usage prévu, ils doivent être mis au rebut conformément au protocole local. La méthode de mise au rebut dépend des risques potentiels de contamination croisée et d'infection au moment où le besoin de mise au rebut est identifié.

SIGNALEMENT DES INCIDENTS GRAVES

Tout incident grave lié à ce dispositif doit être signalé au fabricant et à la Food and Drug Administration (FDA)/à l'autorité compétente de l'État membre dans lequel l'utilisateur et/ou le patient est établi.

GARANTIE

GARANTIE LIMITÉE POUR LE SYSTÈME DE PROTECTION DES INSTRUMENTS SUMMIT MEDICAL INSTRUSAFE.

CETTE GARANTIE LIMITÉE ET LE RECOURS PRÉVU DANS LA PRÉSENTE SONT EXCLUSIFS ET REMPLACENT TOUTES LES AUTRES GARANTIES EXPRESSES ET, SAUF INDICATION CONTRAIRE DANS LA PRÉSENTE, TOUTE DÉCLARATION OU REPRÉSENTATION FAITE PAR TOUTE AUTRE PERSONNE OU ENTREPRISE EST NULLE ET NON AVENUE. LA DURÉE DE TOUTE GARANTIE TACITE DE QUALITÉ COMMERCIALE OU D'ADAPTATION À UN BUT PARTICULIER DOIT ÊTRE LIMITÉE À LA DURÉE DE LA GARANTIE LIMITÉE EXPRESSE. NI SUMMIT MEDICAL NI SES FILIALES NE POURRONT ÊTRE TENUES POUR RESPONSABLES DE TOUTES LES PERTES ET TOUS LES DOMMAGES ACCESSOIRES, CONSÉCUTIFS OU SPÉCIAUX, RÉSULTANT DE L'UTILISATION OU DE L'IMPOSSIBILITÉ D'UTILISER LE SYSTÈME INSTRUSAFE, QUE CES PERTES OU DOMMAGES RÉSULTENT D'UNE VIOLATION DE LA GARANTIE OU DE TOUT AUTRE PRINCIPE LÉGAL.

Cette Garantie limitée vous donne des droits légaux spécifiques, mais il est possible que vous en ayez d'autres, variables d'un État à l'autre. Certains États n'autorisant pas les limites de durée de validité d'une garantie tacite ou l'exclusion ou la limitation des dommages accessoires ou consécutifs, il est possible que la limitation ou les exclusions ci-dessus ne vous concernent pas.

Ce qui est couvert. Summit Medical garantit à l'acheteur d'origine que le système InstruSafe ci-joint à cette garantie limitée est conforme aux spécifications du fabricant et dépourvu de défauts de fabrication et de matériel pendant une période de 12 mois à partir de la date d'achat d'origine. Si l'acheteur initial transfère le système InstruSafe à un tiers, cette garantie limitée ne pourra pas être invoquée par la partie à laquelle le produit aura été transféré.

Ce que nous ferons pour corriger les problèmes. Si votre système InstruSafe s'avère défectueux durant cette période, vous devrez prévenir Summit Medical ou un distributeur ou revendeur agréé de Summit Medical. Vous devez autoriser Summit Medical ou ses représentants à effectuer l'investigation, l'examen et les tests jugés appropriés par Summit Medical et, sur demande, vous retournerez le produit à l'usine à l'adresse ci-dessous. La seule obligation de Summit Medical dans le cadre de cette Garantie limitée est, à sa discrétion, la réparation ou le remplacement du ou des produits défectueux, les pièces et la main-d'œuvre étant gratuites. Les frais de port, d'assurance ou d'expédition engagés lors de la présentation de votre système InstruSafe pour une réparation sous garantie sont à votre charge.

Ce qui n'est pas couvert. Cette garantie limitée dépend de l'utilisation et de l'entretien corrects du produit ; elle ne couvre pas les produits qui ont été mal expédiés, ou qui ont été utilisés de manière impropre ou abusive, négligés ou mal entretenus, mal nettoyés ou mal stockés, ou qui ont été réparés par un prestataire autre que Summit Medical ou un distributeur ou revendeur agréé de Summit Medical, ou qui ont été modifiés sans l'autorisation expresse de Summit Medical. Le non-respect des instructions figurant dans le manuel du propriétaire pourra constituer une utilisation ou un entretien incorrect du produit et invalider cette Garantie limitée. Cette Garantie ne porte pas sur l'usure normale ou les pièces de rechange.

En cas de questions ou de réclamations au sujet de cette garantie, contactez :

Service Clients
Summit Medical
815 Vikings Parkway, Suite 100
St. Paul, MN 55121 | États-Unis
www.instrusafe.com

TÉLÉPHONE : +1 651-789-3939
FAX : +1 651-789-3979
E-MAIL : customerservice@innoviamedical.com

Die hier beschriebenen Anweisungen wurden vom Hersteller des Produkts dahingehend validiert, dass sie für die Wiederaufbereitung von wiederverwendbaren Medizinprodukten geeignet sind.

Die einzelnen Sterilisatoren, die Instrumentenreinigung, die spezifische Beladung der Instrumentenschalen, Art und Geometrie der Instrumente, Sterilisationsbehälter, Filter und Verpackungen sind von Standort zu Standort unterschiedlich.

LESEN SIE DIESEN ABSCHNITT, BEVOR SIE DAS PRODUKT IN GEBRAUCH NEHMEN

VERWENDUNGSZWECK/BESTIMMUNGSGEMÄSSE VERWENDUNG - ÜBERBLICK

Die Kassetten/Schalen der InstruSafe® Instrumentenschutzsysteme dienen zum Verstauen und Schutz von wiederverwendbaren Medizinprodukten während ihres Transport, ihrer Sterilisation und Lagerung. Die Kassetten/Schalen des InstruSafe® Instrumentenschutzsystems dienen zum Verstauen und Schützen von diversen Medizinprodukten, die von medizinischem Fachpersonal sterilisiert werden. Die Kassetten/Schalen des InstruSafe Instrumentenschutzsystems eignen sich zur Sterilisation der darin enthaltenen Medizinprodukte bei Anwendung der folgenden Sterilisationszyklen:

- Vorvakuum mit Dampf (ISO 17665-1 und EN 285)
- Ethylenoxid (ISO 11135)
- Validierte Niedertemperatur-Sterilisation (ISO 14937), d. h.
 - STERRAD® 100S Standard (kurz)
 - STERIS® AMSCO® V-PRO 1®, V-PRO 1 Plus, V-PRO maX und V-PRO maX 2
 - STERRAD® 100NX® Express, Standard und Flex
 - Sterizone® VP4
 - STERRAD® NX® Standard

Die Kassetten/Schalen des InstruSafe Instrumentenschutzsystems eignen sich bei alleiniger Verwendung nicht zum Erhalt der Sterilität. Die Kassetten/Schalen des InstruSafe Instrumentenschutzsystems sind für die Verwendung in Verbindung mit im Handel zugelassenem Verpackungsmaterial, starren Aesculap®-Behältern oder starren Genesis™-Behältern vorgesehen.

Die InstruSafe Sterilisationsbehälter wurden für die Verwendung mit Kassetten/Schalen des InstruSafe Instrumentenschutzsystems validiert (nur Vorvakuum, 132 °C (270 °F), 4-minütiger Dampfsterilisationszyklus) unter 510(k) K180528. Weitere Informationen finden Sie in der Gebrauchsanweisung zum InstruSafe® Sterilisationsbehälter.

Eine vollständige Liste der Gerätemodelle ist in Anhang A enthalten und kann unter www.instrusafe.com/ifus eingesehen werden.

BESCHREIBUNG DES PRODUKTS

Beim InstruSafe Instrumentenschutzsystem von Summit Medical handelt es sich um Kassetten/Schalen zur geordneten Aufnahme und Aufbewahrung von Chirurgieinstrumenten und Instrumentenzubehör beim Sterilisationsverfahren sowie dem anschließenden Lagern und Transport. Die Kassetten/Schalen kommen nicht direkt mit dem Patienten in Kontakt. Die Kassetten/Schalen können bei alleiniger Verwendung die Sterilität nicht bewahren. Die Kassetten/Schalen sind als einheitliche Grundauführung in verschiedenen Größen lieferbar: eine rechteckige Basis mit verriegelbarem Deckel. Die Kassetten/Schalen sind perforiert, um das Eindringen des Sterilisationsmittels zu gestatten. In der Basis und/oder im Deckel der Kassetten/Schalen befinden sich Silikoneinsätze, in denen die Chirurgieinstrumente während des Sterilisationsverfahrens und dem anschließenden Lagern und Transport innerhalb der Kasette/Schale verstaut, angeordnet und geschützt werden.

VORGESEHENER ANWENDER

Die InstruSafe® Instrumentenschutzsysteme sind für die Verwendung durch medizinisches Fachpersonal im Operationsbereich sowie in der Abteilung für sterile Wiederaufbereitung zum Zweck des Transport, der Sterilisation und Lagerung von Medizinprodukten vorgesehen.

EINSCHRÄNKUNGEN DER WIEDERAUFBEREITUNG

1. Der Lebenszyklus des InstruSafe Instrumentenschutzsystems endet nach mindestens 25 Sterilisationszyklen. Die Schale vor der Verwendung auf durch die Nutzung entstandenen Verschleiß und Beschädigungen überprüfen. Das Produkt darf bei Verschleißerscheinungen wie Korrosion, mechanische Fehler, Risse, Ablättern, Ablösungen, gebrochene Schweißnähte, beschädigte Standfüße, beschädigte Verriegelungen sowie beschädigte Hold-Its®/Hold-Downs, Verfärbungen usw. nicht mehr verwendet werden.
2. Eine Beschreibung der Sterilisationsmethoden und Konfigurationen finden Sie in **Tabelle 2**.
3. **ÜBERLADEN SIE NIEMALS** die InstruSafe Systeme oder Komponenten.
4. **ÜBERLADEN SIE NIEMALS** die einzelnen Hold-Its. Legen Sie immer nur ein Instrument pro Hold-Its ein.
5. Bei Verwendung von starren Behältern: **VERPACKEN** Sie InstruSafe Systeme oder Komponenten **NICHT** und stellen Sie sie zur Sterilisation in den Behälter.
6. Im Innern des Sterilisators dürfen die einzeln verpackten oder in Behältern verstauten InstruSafe Systeme oder Komponenten **NIEMALS GESTAPELT** werden. Stellen Sie die verpackten oder in Behältern verstauten InstruSafe Systeme oder Komponenten gut voneinander und von anderen Produkten getrennt auf separate Ablagen des Sterilisators, um einen optimalen Fluss des Sterilisationsmittels zu ermöglichen.
7. Bei Verwendung von nicht-absorbierenden Schalenaufgaben (z. B. einer Silikonmatten) kann sich Kondensat ansammeln. Wenn hier noch Feuchtigkeit vorhanden ist, führen Sie eine erneute Sterilisation mit längerer Trocknungszeit durch.
8. Das Gesamtgewicht des Behältersystems (z. B. Behälter, Schale und geladene Instrumente) darf 11,34 kg (25 Pfund) nicht überschreiten.
9. Die Instrumente (z. B. Endoskope und Instrumente mit Lumen oder Kanälen) müssen gemäß den Anweisungen ihres Herstellers vorbereitet und sterilisiert werden.
10. Die für die Aufbereitung zuständige Person trägt die Verantwortung dafür, dass spezifische Validierungsverfahren für den letztendlichen Sterilisationsprozess unter Berücksichtigung der jeweiligen Konfiguration der zu sterilisierenden Instrumente und Behälter unterhalten werden.
11. Die Gebrauchsanweisung des Sterilisatorherstellers für zusätzliche Einschränkungen (z. B. Maß- oder Gewichtsbeschränkungen) beachten.

WARNHINWEISE

- Verwenden Sie für InstruSafe Systeme aus Aluminium nur pH-neutrale (pH 6,0 bis 8,5) Reinigungsmittel, um Schäden an der Beschichtung zu vermeiden. Ein Reinigungsmittel mit stark saurem oder basischem pH-Wert könnte die Beschichtung aus eloxiertem Aluminium der Kassette und der Metallkomponenten schädigen.
- Nicht verwenden, wenn die Verpackung beschädigt ist oder vor der Verwendung versehentlich geöffnet wurde.

Hinweis: Reinigen und überprüfen Sie Kassetten gemäß den Anweisungen, bevor Sie sie in Betrieb nehmen.

ALLGEMEINE VORSICHTSHINWEISE

- Das zuständige Personal muss die nach den Betriebsverfahren des Arbeitgebers/der Abteilung für die Kontaminationsstufe, denen es ausgesetzt wird, vorgeschriebene persönliche Schutzbekleidung und -ausrüstung tragen.
- Nicht identische Metalle müssen bei der Sterilisation getrennt gehalten werden, um Korrosion zu verhindern.

VERWENDUNGORT

Grobe Verunreinigungen mit einem Einwegtuch/Papiertuch entfernen. Verunreinigte Komponenten sollten bis zur Anwendung eines qualifizierten Reinigungsverfahrens feucht gehalten werden.

REINIGUNG

Spezielle Anweisungen zur Reinigung der Instrumente in den Kassetten finden Sie in der Gebrauchsanweisung des Instrumentenherstellers.

Für die Reinigung der Kassette/Schale empfiehlt sich die Anwendung eines der folgenden validierten Reinigungsmethoden.

Nur pH-neutrale (pH 6,0 bis 8,5) Lösungen ohne Natriumcarbonat verwenden, um eine Beschädigung der Beschichtung bei Aluminiumkassetten zu vermeiden.

KEINE Scheuerschwämme oder Scheuermittel verwenden. Die Kassette **NICHT** in Flüssigkeit lagern.

1. Manuelle Dekontamination von groben Verunreinigungen:

- Benötigte Materialien: pH-neutrales (pH 6,0 bis 8,5) enzymatisches Reinigungsmittel, weiche Bürste und fließendes Wasser.
- Entfernen Sie jegliche sichtbare Verschmutzung und Verunreinigung mit einer weichen Bürste. Die gesamte Kassette sollte bei der Reinigung mindestens 2 Minuten lang eingetaucht werden, um das Entfernen von Verunreinigungen zu erleichtern und ein Spritzen der Reinigungslösung auf das Personal zu vermeiden.
- Spülen Sie sie mindestens 1 Minute lang mit sauberem Wasser ab, um das Reinigungsmittel gründlich zu entfernen. Beachten Sie auch die Anweisungen auf dem Etikett des Reinigungsmittels.

2. Ultraschallreinigung:

- Bereiten Sie ein Enzymbad in einem Ultraschallreinigungsautomaten vor.
- Legen Sie eine einzelne Kassette in das Bad, und lassen sie es mindestens zehn Minuten einwirken.
- Spülen Sie sie mindestens 2 Minuten lang mit kaltem Leitungswasser ab.
- Prüfen Sie die Kassette auf sichtbare Verunreinigungen. Wiederholen Sie den Zyklus bei Bedarf, um sichtbare Verunreinigungen zu entfernen.

3. Automatisches Waschgerät:

Das InstruSafe Instrumentenschutzsystem wurde zur Verwendung zusammen mit dem in **Tabelle 1** aufgeführten automatischen Waschsystem validiert. Für die Qualifizierung der einzelnen Parameter ist der Anwender zuständig.

Tabelle 1

ZYKLUS	WASSESTEMPERATUR	REINIGUNGS-VERFAHREN
Vorspülen 1 und 2	Kaltes Leitungswasser	Rezirkulationszeit: 2 Minuten
Enzymbad	Heißes Leitungswasser	Einweichzeit: 4 Minuten
Spülgang 1	Aufgeheizt auf 65,5 °C (150 °F)	Rezirkulationszeit: 15 Minuten
Spülgang 1 und 2	Heißes Leitungswasser	Rezirkulationszeit: 5 Minuten

Hinweis: Unterziehen Sie das InstruSafe System (Kassette und Zubehör) nach Beendigung eines automatischen Spülzyklus einer Sichtprüfung auf sichtbare Schmutzreste. Sämtliche sichtbare Verschmutzung muss durch Handreinigung mit einer Bürste, Ultraschall oder zusätzliche automatische Spülzyklen entfernt werden, bevor Sie mit der Sterilisation beginnen.

DESINFEKTION

InstruSafe Systeme sind für die Sterilisation in der Endverpackung vorgesehen.

WARTUNG, INSPEKTION UND PRÜFUNG

InstruSafe Systeme können so oft wieder verwendet werden, bis eine unvertretbare Schädigung auftritt, wie z. B. Korrosion, Risse, Rost, Ablättern, Abschuppen, Verblässen oder mechanische Defekte.

Anzeichen von mechanischen Defekten sind z. B.:

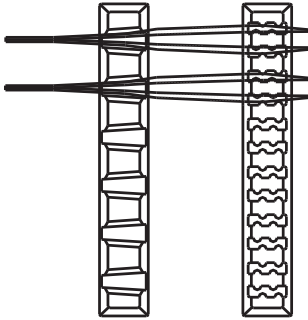
- Abgebrochene oder rissige Ecken oder Schweißnähte
- Beschädigte oder defekte Verschlüsse
- Fehlende, gerissene oder zerschnittene Silikoneinlagen
- Fehlende oder beschädigte Standfüße

MONTAGE

1. Legen Sie die Instrumente in die hierfür vorgesehenen Halterungen oder Bereiche, die durch Platzmarkierungen gekennzeichnet sind, sodass alle Oberflächen mit dem Sterilisationsmittel in Berührung kommen. Siehe **Abbildung A**. Pro Platz darf nur ein Instrument eingesetzt werden. Zerlegen oder öffnen Sie nach Möglichkeit alle Teile des Instrumentariums gemäß den Anweisungen des Instrumentenherstellers.

Überladen Sie NIEMALS die Halterungen, und überschreiten Sie NICHT die Gewichtsbegrenzungen der Kassetten. Siehe Anhang A.

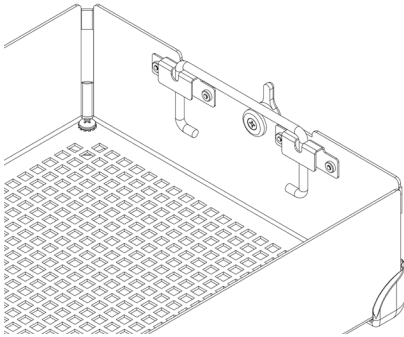
Abbildung A.



Hinweis: Die Instrumente (z. B. Endoskope und Instrumente mit Lumen oder Kanälen) müssen gemäß den Gebrauchsanweisungen ihres Herstellers vorbereitet und sterilisiert werden.

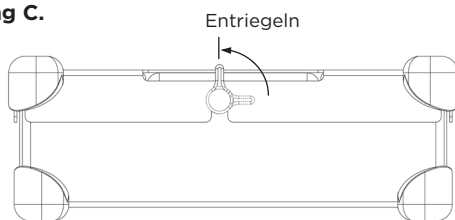
2. Achten Sie darauf, dass die Henkel im Innern der Kassette positioniert sind (eingeklappte Position). Siehe **Abbildung B**.

Abbildung B.



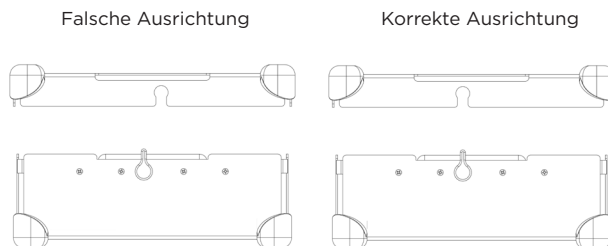
3. Setzen Sie den Kassettendeckel auf die Kassettenbasis, wobei die Verriegelungslaschen ordnungsgemäß in den entsprechenden Aussparungen am Kassettendeckel eingesteckt werden, und schließen Sie die Verriegelungslaschen. Siehe **Abbildung C**.

Abbildung C.



Hinweis: Die Verriegelungslaschen sind etwas versetzt, sodass der Kassettendeckel immer ordnungsgemäß mit der Basis ausgerichtet ist. Damit wird sichergestellt, dass die Halterungen bei verriegeltem Deckel korrekt ausgerichtet sind. Beachten Sie die **Abbildung D** für eine korrekte Ausrichtung. **Setzen Sie den Kassettendeckel NICHT gewaltsam auf die Kassettenbasis, da dadurch die Instrumente und Kassette beschädigt werden können.**

Abbildung D.



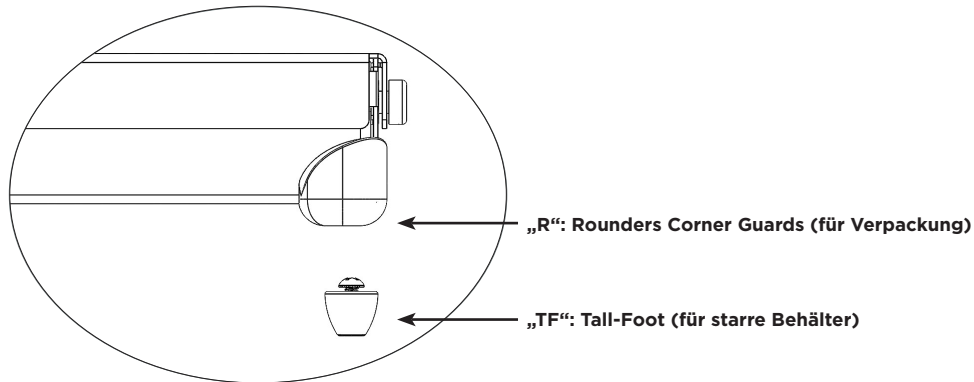
VERPACKUNG

Die InstruSafe Systeme können mit im Handel zugelassenem Verpackungsmaterial umhüllt oder in einen handelsüblichen starren Behälter gegeben werden. Bitte beachten Sie auch die Anwendungshinweise in der Gebrauchsanweisung.

Verwendung mit Verpackung:

1. Bevor Sie die Kassette verpacken, achten Sie darauf, dass diese mit dem richtigen Standfußtyp ausgestattet ist. Der Typ „R“ dient zur Verwendung mit Verpackung. Siehe **Abbildung F**.

Abbildung F.



2. Umhüllen Sie die Kassette mit im Handel zugelassenem Verpackungsmaterial unter gleichzeitiger Berücksichtigung der Herstelleranweisungen.
3. Sterilisieren Sie das Paket mittels einem der in der Gebrauchsanweisung aufgeführten Sterilisationszyklen.

Verwendung mit starrem Behälter:

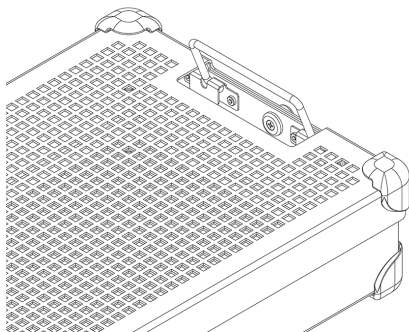
Bitte beachten Sie auch die Anwendungshinweise in der Gebrauchsanweisung.

1. Bevor Sie die Kassette in einen starren Behälter geben, achten Sie darauf, dass diese mit dem richtigen Standfußtyp ausgestattet ist. Zusammen mit einem starren Behälter sollte der Typ „TF“ verwendet werden. Siehe **Abbildung F**.
2. Setzen Sie die Kassette in den starren Behälter. Befolgen Sie die Anweisungen des Behälterherstellers im Hinblick auf das Verschließen des Behälters.
Hinweis: Verpacken Sie die Kassetten nicht, bevor Sie sie zur Sterilisation in den Behälter geben.
3. Sterilisieren Sie den Behälter samt Inhalt mittels einem der in der Gebrauchsanweisung aufgeführten Sterilisationszyklen.

Zusätzliche Informationen:

Zur Herausnahme der Kassette aus einem starren Behälter in aseptischer Weise befolgen Sie die Anweisungen des Behälterherstellers.

1. Ziehen Sie Handschuhe an und reichen Sie mit den Handflächen nach außen durch die Öffnungen in den Kassettendeckel.
2. Greifen Sie die Kassettendenkel und klappen Sie sie nach oben. Siehe **Abbildung G**.



3. Klappen Sie die Henkel nach innen von den Seiten des starren Behälters weg, und heben Sie die Kassette aus dem Behälter heraus. Achten Sie dabei darauf, die Oberseite oder Außenfläche des Behälters nicht zu berühren.
4. Stellen Sie die Kassette auf eine sterile Oberfläche.

STERILISATION

In **Tabelle 2** werden die Sterilisationsparameter aufgeführt, die für die Sterilisation von InstruSafe Systemen qualifiziert sind.

Tabelle 2.

STERILISATIONSMETHODE	ZYKLUS (Zeiten)
Vorvakuum mit Dampf	Parameter: Temperatur 132 °C (270 °F) Einwirkzeit 4 Minuten Trocknungszeit 30 Minuten
Ethylenoxid (EO)	Vorbehandlung: Temperatur 55 °C (131 °F) Relative Feuchtigkeit 70 ±15 % Vorbehandlungszeit 1 Stunde Sterilisation: Einwirkzeit 120 Minuten Temperatur 55 °C (131 °F) Lüftungszeit 12 Stunden
STERRAD 100S	<i>Standard</i>
STERRAD 100NX	<i>Standard, Express, Flex</i>
STERRAD NX	<i>Standard</i>
STERIS AMSCO V-PRO 1	<i>Standard</i>
STERIS AMSCO V-PRO 1 PLUS	<i>Lumen, ohne Lumen</i>
STERIS AMSCO V-PRO maX	<i>Lumen, ohne Lumen</i>
STERIS AMSCO V-PRO maX 2	<i>Lumen, ohne Lumen</i>
Sterizone VP4	<i>Zyklus 1</i>

Summit Medical hat die folgenden Sterilisationsmethoden validiert:

- Den 4-minütigen Autoklavierungs-Sterilisationszyklus in im Handel zugelassenen Verpackungsmaterial, InstruSafe Sterilisationsbehälter, starrem Aesculap-Behälter oder starrem Genesis-Behälter mit FDA-Zulassung. Der InstruSafe Sterilisationsbehälter wurde unter K180528 für die Verwendung mit den Kassetten/Schalen des InstruSafe Instrumentenschutzsystems validiert.
- Den Sterilisationszyklus mit Ethylenoxid (EO) in im Handel zugelassenen Verpackungsmaterial oder einem sterilen Genesis-Behälter mit FDA-Zulassung.
- Den STERRAD 100S Standard-Sterilisationszyklus in im Handel zugelassenen Verpackungsmaterial oder im starren Aesculap-Behälter mit FDA-Zulassung.
- Den STERRAD 100NX Standard-Sterilisationszyklus in im Handel zugelassenen Verpackungsmaterial oder im starren Aesculap-Behälter mit FDA-Zulassung.
- Den STERRAD 100NX Express-Sterilisationszyklus in im Handel zugelassenen Verpackungsmaterial mit FDA-Zulassung.
- Den STERRAD 100NX Flex-Sterilisationszyklus in im Handel zugelassenen Verpackungsmaterial oder einem starren Aesculap-Behälter mit FDA-Zulassung.
- Den STERRAD NX Standard-Sterilisationszyklus in im Handel zugelassenen Verpackungsmaterial oder im starren Aesculap-Behälter mit FDA-Zulassung.
- Die STERIS AMSCO V-PRO 1, V-PRO 1 PLUS, V-PRO maX und V-PRO maX 2 Sterilisationszyklen in im Handel zugelassenen Verpackungsmaterial oder einem starren Aesculap-Behälter mit FDA-Zulassung.
- Den Sterizone VP4 Sterilisationszyklus in im Handel zugelassenen Verpackungsmaterial oder einem starren Aesculap-Behälter mit FDA-Zulassung.

Die maximale vom Hersteller angegebene Traglast des sterilen Behälters darf **NICHT** überschritten werden.

Verwenden Sie zur Aufrechterhaltung der Sterilität geeignetes Zubehör mit FDA-Zulassung.

Bitte schlagen Sie in der Gebrauchsanweisung zum Sterilisator nach, um sicherzustellen, dass die geplanten Beladungen mit den vorgesehenen Sterilisationszyklen kompatibel sind.

Bitte lesen Sie die dem Behälter beiliegende Gebrauchsanweisung, um zu bestätigen, dass die aufzubereitende Ladung mit den von der FDA zugelassenen Ladungen für diesen Behälter kompatibel ist.

BESTIMMUNGSGEMÄSSE VERWENDUNG

4 Minuten Dampf, Verpackung und starrer Aesculap®-Behälter

Die Kassetten des InstruSafe® Instrumentenschutzsystems dienen zum Verstauen und Schützen von diversen Medizinprodukten, die von medizinischem Fachpersonal sterilisiert werden. Die Kassetten des InstruSafe Instrumentenschutzsystems eignen sich zur Sterilisation der darin enthaltenen Medizinprodukte während eines Dampfsterilisationszyklus mit Vorvakuum. Die Kassetten des InstruSafe Instrumentenschutzsystems sind für die Verwendung in Verbindung mit im Handel zugelassenen Verpackungen oder einem starren Aesculap-Behälter vorgesehen. Die Kassetten des InstruSafe Instrumentenschutzsystems eignen sich bei alleiniger Verwendung nicht zur Aufrechterhaltung der Sterilität.

Sterilisationsparameter für den Autoklaven	
Zyklus	Vorvakuum
Temperatur	132 °C (270 °F)
Einwirkzeit	4 Minuten
Mindesttrocknungszeit	30 Minuten
Summit-Kassettenmodell	Aesculap-Behältermodell
IN-8823-AE	*JN444
IN-2880	*JK444
IN-6105	*JN742
<i>*Von Summit Medical NUR zur Verwendung in Dampfsterilisatoren mit Vorvakuum bei einer Temperatur von 132 °C (270 °F) mit einer Einwirkzeit von 4 Minuten validiert. Bitte die Gebrauchsanweisung zum Behälter beachten, um sicherzustellen, dass der Inhalt nicht das maximal zulässige Fassungsvermögen des Sterilisationsbehälters überschreitet.</i>	

Lumenangaben für 4-minütigen Dampfsterilisationszyklus mit Vorvakuum			
Summit-Kassettenmodell	Kleinster Innendurchmesser	Maximale Länge	Anzahl der Lumen
IN-8823-CF	3 mm	400 mm	4
IN-8823-CF	3 mm	200 mm	2
IN-2880	1 mm	76 mm	2
IN-2880	3 mm	177 mm	1
IN-6105	5 mm	241 mm	1
IN-2681	1 mm	65 mm	1
IN-2681	3 mm	200 mm	1
IN-7823	1 mm	400 mm	17

4 Minuten Dampf, starrer Genesis™-Behälter

Die Kassetten des InstruSafe® Instrumentenschutzsystems dienen zum Verstauen und Schützen von diversen Medizinprodukten, die von medizinischem Fachpersonal sterilisiert werden. Die Kassetten des InstruSafe Instrumentenschutzsystems eignen sich zur Sterilisation der darin enthaltenen Medizinprodukte während eines Dampfsterilisationszyklus mit Vorvakuum. Die Kassetten des InstruSafe Instrumentenschutzsystems sind für die Verwendung in Verbindung mit einem im Handel zugelassenen starren Genesis-Behälter vorgesehen. Die Kassetten des InstruSafe Instrumentenschutzsystems eignen sich bei alleiniger Verwendung nicht zur Aufrechterhaltung der Sterilität. Eine komplette Liste aller Gerätemodelle ist in Anhang A aufgeführt.

Lumenangaben für 4-minütigen Dampfsterilisationszyklus mit Vorvakuum			
Summit-Kassettenmodell	Kleinster Innendurchmesser	Maximale Länge	Anzahl der Lumen
IN-2681	1 mm	65 mm	1
IN-2681	3 mm	200 mm	1
IN-6105	5 mm	241 mm	1
IN-0000	1 mm	400 mm	5
	3 mm	400 mm	1
	5 mm	400 mm	1

BESTIMMUNGSGEMÄSSE VERWENDUNG (Fortsetzung)

8 Minuten Dampf und Ethylenoxid (EO), Verpackung und starrer Genesis™-Behälter

Die Kassetten des InstruSafe® Instrumentenschutzsystems dienen zum Verstauen und Schützen von diversen Medizinprodukten, die von medizinischem Fachpersonal sterilisiert werden. Die Kassetten des InstruSafe Systems eignen sich zur Sterilisation der darin enthaltenen Medizinprodukte während eines Sterilisationsverfahrens mit Dampf und Vorkonditionierung oder mit Ethylenoxid. Die Kassetten des InstruSafe Systems sind für die Verwendung in Verbindung mit im Handel zugelassener Verpackung oder einem starren Genesis-Behälter vorgesehen. Die Kassetten des InstruSafe Systems eignen sich bei alleiniger Verwendung nicht zur Aufrechterhaltung der Sterilität.

Sterilisationsverfahren und Konfigurationen

Dampf 8 Minuten mit Vorkonditionierung bei 132 °C	
Textilgewebe mit einer Fadendichte von 140 TC	10 Minuten Trocknungszeit
Vliesverpackung (Kimberly Clark)	50 Minuten Trocknungszeit
Genesis-Behälter (geeignetes Filterpapier siehe Tabelle 1)	30 Minuten Trocknungszeit

Genesis-Behälter	Filterpapier für Genesis-Behälter
CD2-4B	FX3-1: 9x9"
CD2-5B	FX3-1: 9x9"
CD3-4B	FX3-1: 9x9"
CD3-5B	FX3-1: 9x9"
CD3-6B	FX3-1: 9x9"
CD3-7B	FX3-1: 9x9"
CD4-5B	FO3-2: 9x6"
CD5-61B	FO3-2: 9x6"
CD6-6B	FX3-1: 9x9"

Bitte beachten Sie auch die Gebrauchsanweisung des V. Mueller Genesis Sterilisationsbehältersystems, wenn Sie mit starren Genesis-Behältern arbeiten.

Ethylenoxid (EO)
<ul style="list-style-type: none"> 1 Stunde Vorbehandlung bei 55 °C (131 °F) mit einer relativen Feuchte von 70 ±15 % 2 Stunden Einwirkzeit bei 55 °C (131 °F) 12 Stunden Lüftungszeit

STERRAD® 100S und STERRAD® 100NX® Standardzyklen, Verpackung und starrer Aesculap®-Behälter

Die Kassetten des InstruSafe® Instrumentenschutzsystems dienen zum Verstauen und Schützen von diversen Medizinprodukten, die von medizinischem Fachpersonal sterilisiert werden. Die Kassetten des InstruSafe Instrumentenschutzsystems eignen sich zur Sterilisation der darin enthaltenen Medizinprodukte während Sterrad 100S Standard- und Sterrad 100NX Standard-Sterilisationszyklen. Die Kassetten des InstruSafe Instrumentenschutzsystems sind für die Verwendung in Verbindung mit im Handel zugelassener Verpackung oder einem starren Aesculap-Behälter vorgesehen. Die Kassetten des InstruSafe Instrumentenschutzsystems eignen sich bei alleiniger Verwendung nicht zur Aufrechterhaltung der Sterilität. Eine komplette Liste aller Gerätemodelle ist in Anhang A aufgeführt.

Die folgenden Sterilisationsschalen wurden zur Verwendung in Verbindung mit den zugehörigen starren Behältern validiert:

STERRAD 100S Standardzyklus	
Summit-Kassettenmodell	Aesculap-Behältermodell
IN-8823-AE	*JM444
IN-6105	*JM440

STERRAD 100NX Standardzyklus	
Summit-Kassettenmodell	Aesculap-Behältermodell
IN-8823-AE	*JM444
IN-6105	*JM440

*Von Summit Medical NUR zur Verwendung mit dem STERRAD 100S Standardzyklus und dem STERRAD 100NX Standardzyklus validiert. Bitte die Gebrauchsanweisung zum Behälter beachten, um sicherzustellen, dass der Inhalt nicht das maximal zulässige Fassungsvermögen des Sterilisationsbehälters überschreitet.

Lumen-Angaben für STERRAD 100S Standard- und STERRAD 100NX Standardzyklen	
4 Edelmetalllumen mit 3 mm Innendurchmesser x 400 mm Länge	Alle Modelle geeigneter Größe sind in Anhang A genannt, mit Ausnahme von IN-2681.
2 Edelmetalllumen mit 3 mm Innendurchmesser x 200mm Länge	
1 Edelmetalllumen mit 3 mm Innendurchmesser x 200mm Länge	IN-2681
1 Edelmetalllumen mit 1mm Innendurchmesser x 65mm Länge	

BESTIMMUNGSGEMÄSSE VERWENDUNG (Fortsetzung)

STERRAD® NX® Standardzyklus, Verpackung und starrer Aesculap®-Behälter

Die Kassetten des InstruSafe® Instrumentenschutzsystems dienen zum Verstauen und Schützen von diversen Medizinprodukten, die von medizinischem Fachpersonal sterilisiert werden. Die Kassetten des InstruSafe Instrumentenschutzsystems eignen sich zur Sterilisation der darin enthaltenen Medizinprodukte während eines Sterrad NX Standard-Sterilisationszyklus. Die Kassetten des InstruSafe Instrumentenschutzsystems sind für die Verwendung in Verbindung mit im Handel zugelassenen Verpackungen oder einem starren Aesculap-Behälter vorgesehen. Die Kassetten des InstruSafe Instrumentenschutzsystems eignen sich bei alleiniger Verwendung nicht zur Aufrechterhaltung der Sterilität. Eine komplette Liste aller Gerätemodelle ist in Anhang A aufgeführt.

Sterilisationsverfahren und Konfigurationen
- Sterrad NX Standard-Sterilisationszyklus

Lumen-Angaben für STERRAD NX Standard-Sterilisationszyklus			
Summit-Kassettenmodell	Kleinster Innendurchmesser	Maximale Länge	Anzahl der Lumen
IN-2681	1 mm	65 mm	1
IN-2681	3 mm	200 mm	1
IN-8987-S	1 mm	500 mm	5
IN-8615	2,3 mm	210 mm	5
IN-6105	4 mm	235 mm	1

Hinweis: Die ungünstigste validierte Ladung basierend auf dem Vent-to-Volume-Ratio bietet die IN-2681-Schale.

STERRAD® 100NX® Express-Zyklus, Verpackung

Die Kassetten des InstruSafe® Instrumentenschutzsystems dienen zum Verstauen und Schützen von diversen Medizinprodukten, die von medizinischem Fachpersonal sterilisiert werden. Die Kassetten des InstruSafe Instrumentenschutzsystems eignen sich zur Sterilisation der darin enthaltenen Medizinprodukte während eines Sterrad® 100NX Express-Zyklus. Die Kassetten des InstruSafe Instrumentenschutzsystems sind für die Verwendung in Verbindung mit einer im Handel zugelassenen Verpackung vorgesehen. Die Kassetten des InstruSafe Instrumentenschutzsystems eignen sich bei alleiniger Verwendung nicht zur Aufrechterhaltung der Sterilität. Für das InstruSafe Instrumentenschutzsystem im Sterrad 100NX Express-Zyklus gibt es keine Lumen-Angaben.

STERRAD® 100NX® Flex-Sterilisationszyklus, Verpackung und starrer Aesculap®-Behälter

Die Kassetten des InstruSafe® Instrumentenschutzsystems dienen zum Verstauen und Schützen von diversen Medizinprodukten, die von medizinischem Fachpersonal sterilisiert werden. Die Kassetten des InstruSafe Instrumentenschutzsystems eignen sich zur Sterilisation der darin enthaltenen Medizinprodukte während eines Sterrad 100NX Flex-Sterilisationszyklus. Die Kassetten des InstruSafe Instrumentenschutzsystems sind für die Verwendung in Verbindung mit im Handel zugelassenen Verpackungen oder einem starren Aesculap-Behälter vorgesehen. Die Kassetten des InstruSafe Instrumentenschutzsystems eignen sich bei alleiniger Verwendung nicht zur Aufrechterhaltung der Sterilität. Eine komplette Liste aller Gerätemodelle ist in Anhang A aufgeführt.

STERRAD 100NX Flex-Sterilisationszyklus	
Summit-Kassettenmodell	Aesculap-Behältermodell
IN-0000	*JM440
IN-6105	*JM440

**Von Summit Medical NUR zur Verwendung mit dem STERRAD 100NX Flex-Sterilisationszyklus validiert. Bitte die Gebrauchsanweisung zum Behälter beachten, um sicherzustellen, dass der Inhalt nicht das maximal zulässige Fassungsvermögen des Sterilisationsbehälters überschreitet.*

Lumen-Angaben für STERRAD 100NX Flex-Sterilisationszyklus				
Summit-Kassettenmodell	Kleinster Innendurchmesser	Maximale Länge	Anzahl der Lumen	Verpackung/ starrer Behälter
IN-0000	1 mm	850 mm	1	Verpackung + starrer Behälter
IN-8823	1 mm	850 mm	1	Verpackung + starrer Behälter
IN-7344	1 mm	850 mm	1	Verpackung
IN-6105	4 mm	235 mm	1	Verpackung + starrer Behälter

Die ungünstigste validierte Ladung basierend auf dem Vent-to-Volume-Ratio bietet die IN-0000-Schale.

Hinweis: Die IN-0000-Schale dient lediglich zu Testzwecken.

BESTIMMUNGSGEMÄSSE VERWENDUNG (Fortsetzung)

AMSCO® V-PRO® Niedertemperatur-Sterilisationszyklen, Verpackung und starrer Aesculap®-Behälter

Die Kassetten des InstruSafe® Instrumentenschutzsystems dienen zum Verstauen und Schützen von diversen Medizinprodukten, die von medizinischem Fachpersonal sterilisiert werden. Die Kassetten des InstruSafe Instrumentenschutzsystems eignen sich zur Sterilisation der darin enthaltenen Medizinprodukte während Amsco V-PRO Niedertemperatur-Sterilisationszyklen. Die Kassetten des InstruSafe Instrumentenschutzsystems sind für die Verwendung in Verbindung mit im Handel zugelassener Verpackung oder einem starren Aesculap-Behälter vorgesehen. Die Kassetten des InstruSafe Instrumentenschutzsystems eignen sich bei alleiniger Verwendung nicht zur Aufrechterhaltung der Sterilität. Eine komplette Liste aller Gerätemodelle ist in Anhang A aufgeführt.

AMSCO V-PRO Niedertemperatur-Sterilisationssysteme			
Sterilisator	Standardzyklus	Lumenzyklus	Ohne-Lumenzyklus
V-PRO 1	X	n. z.	n. z.
V-PRO 1 PLUS	n. z.	X	X
V-PRO maX	n. z.	X	X
V-PRO maX 2	n. z.	X	X
Summit-Kassettenmodell		Aesculap-Behältermodell	
IN-8823		*JM444	
IN-6105		*JM742	
<i>*Von Summit Medical NUR zur Verwendung mit AMSCO V-PRO Niedertemperatur-Sterilisationssystemen validiert. Bei Verwendung eines Aesculap Behälters als sterile Barriere darf die Ladung (Summit Schale und Inhalt) das für den Behälter angegebene maximale Ladungsgewicht nicht überschreiten und muss mit dem angegebenen Ladungstyp übereinstimmen.</i>			

Lumenmaße der validierten Instrumentation:			
Summit-Kassettenmodell	Kleinstes Innendurchmesser	Maximale Länge	Anzahl der Lumen
IN-8823	3 mm	400 mm	2
IN-6105	3 mm	200 mm	1
IN-2681	1 mm	64 mm	1
Hinweis: Die ungünstigste validierte Ladung basierend auf dem Vent-to-Volume-Ratio bietet die IN-2681-Schale.			

BESTIMMUNGSGEMÄSSE VERWENDUNG (Fortsetzung)

VP4 Sterizone, Verpackung und starrer Aesculap®-Behälter

Die Kassetten (Schalen) des InstruSafe® Instrumentenschutzsystems dienen zum Verstauen und Schützen von diversen Medizinprodukten, die von medizinischem Fachpersonal sterilisiert werden. Die Kassetten des InstruSafe Instrumentenschutzsystems eignen sich zur Sterilisation der darin enthaltenen Medizinprodukte während des STERIZONE VP4 Sterilisationszyklus 1. Die Kassetten des InstruSafe Instrumentenschutzsystems sind für die Verwendung in Verbindung mit im Handel zugelassener Verpackung oder einem starren Aesculap-Behälter vorgesehen. Die Kassetten des InstruSafe Instrumentenschutzsystems eignen sich bei alleiniger Verwendung nicht zur Aufrechterhaltung der Sterilität.

Summit Medical hat die Verwendung der Kassetten des InstruSafe Instrumentenschutzsystems in Zyklus 1 des STERIZONE VP4 Sterilisators durch Demonstrationen der Sterilisationswirksamkeit anhand repräsentativer Proben von Medizinprodukten einschließlich allgemeiner Instrumente, starrer und halbstarrer Instrumente mit Lumen und flexibler Endoskope validiert. Anhand der bei der Validierung gewonnenen Informationen wurden Grenzwerte für die Konstruktion festgelegt, die für die gesamte Palette der Kassetten des InstruSafe Instrumentenschutzsystems gelten, um zu gewährleisten, dass alle Modelle innerhalb der validierten Grenzwerte für die Belüftung der Kassetten, die Innenablage und das Gewicht liegen:

- Minimales Beatmungsvolumen-Verhältnis, allgemeine Instrumente: 0,073
- Minimales Beatmungsvolumen-Verhältnis, flexible Endoskope: 0,263
- Maximale Anzahl der Innenablagen: Zwei (2)
- Maximales Gewicht der Kassette (einschließlich Inhalt): 25 lbs/Kassette

In der folgenden Tabelle sind die validierten Beladungen mit Kassetten des InstruSafe Instrumentenschutzsystems aufgeführt. Beachten Sie die Gebrauchsanweisung des Sterilisatorherstellers, um sicherzustellen, dass die Beladung die angegebenen Grenzwerte für den Sterilisator nicht überschreitet.

Beschreibung der Beladungen mit dem InstruSafe Instrumentenschutzsystem.

Repräsentativ für den STERIZONE® VP4 Sterilisator Validierungsbeladung Nr. (K190260)	Beschreibung der Summit Medical Validierungsbeladung	Gesamtgewicht der Ladung (ohne das 25 lbs Ladegestell)
4	<p>Beladung 4a: Bestehend aus der maximalen Beladung für starre und halbstarre Instrumente mit Kanälen:</p> <ul style="list-style-type: none"> • Drei (3) halbstarre Doppelkanal-Endoskope (Ureteroskop – 0,7 mm × 500 mm und 1,1 mm × 500 mm) wurden in drei (3) IN 7323-R-Kassetten verpackt, ein (1) pro Kassette. • Weitere Instrumente mit starrem Kanal wurden hinzugefügt, um insgesamt 15 Kanäle zu erhalten. <p>Jede Kassette enthielt geeignete Silikon-Instrumentenhalter und war verpackt.</p> <p>Beladung 4b: Bestehend aus der maximalen Beladung für starre und halbstarre Instrumente mit Kanälen:</p> <ul style="list-style-type: none"> • Drei (3) halbstarre Doppelkanal-Endoskope (Ureteroskop – 0,7 mm × 400 mm und 1,1 mm × 400 mm) wurden in drei (3) IN-0007-TF-Kassetten verpackt, ein (1) pro Kassette. • Weitere Instrumente mit starrem Kanal wurden hinzugefügt, um insgesamt 15 Kanäle zu erhalten. <p>Jede Kassette enthielt geeignete Silikon-Instrumentenhalter und wurde in einen starren Aesculap JM440-Behälter gelegt.</p>	<p>Beladung 4a = 5 lbs/Kassette, 15 lbs insgesamt</p> <p>Ladung 4b = 11 lbs/Kassette, 33 lbs insgesamt</p>
7	<p>Summit Medical Validierungsbeladung 7a: Besteht aus der Beladungsgrenze für allgemeine medizinische Instrumente, die die folgenden Geometrien repräsentieren:</p> <ul style="list-style-type: none"> • Kastenschloss mit Scharnier • Scharniergelenk • Luer-Lock <p>Allgemeine medizinische Instrumente wurden auf drei (3) IN-7323-R-Kassetten mit entsprechenden Silikonhaltern verteilt, mit einem Gewicht von jeweils 25 Pfund. Die Kassetten wurden verpackt.</p> <p>Summit Medical Validierungsbeladung 7b: Besteht aus der Beladungsgrenze für allgemeine medizinische Instrumente, die die folgenden Geometrien repräsentieren:</p> <ul style="list-style-type: none"> • Kastenschloss mit Scharnier • Scharniergelenk • Luer-Lock <p>Allgemeine medizinische Instrumente wurden auf drei (3) IN-0006-TF-Kassetten mit entsprechenden Silikonhaltern verteilt. Die Kassetten wurden in Aesculap JM440-Behältern untergebracht, mit einem Gewicht von jeweils 25 Pfund.</p>	<p>Beladung 7a = 25 lbs/Kassette 75 lbs insgesamt</p> <p>Ladung 7b = 25 lbs/Kassette 75 lbs insgesamt</p>
8	<p>Summit Medical Validierungsbeladung 8a: Besteht aus der Beladungsgrenze von insgesamt fünf (5) flexiblen Endoskopkanälen in verpackten Kassetten:</p> <ul style="list-style-type: none"> • Zwei (2) flexible Endoskope mit zwei Kanälen (Ureteroskope – 1 mm x 850 mm und 1 mm x 989 mm) wurden in IN-0003-R-Kassetten verpackt, ein (1) pro Kassette. • Ein (1) flexibles Ein-Kanal-Endoskop (Ureteroskop – 1 mm x 850 mm) wurde in einer IN-0004-R Kassette verpackt. <p>Die Kassetten enthielten entsprechende Silikonhalterungen und waren verpackt.</p> <p>Summit Medical Validierungsbeladung 8b: Besteht aus der Beladungsgrenze von insgesamt vier (4) flexiblen Endoskopkanälen in Kassetten, die in starren Behältern verpackt sind:</p> <ul style="list-style-type: none"> • Zwei (2) flexible Endoskope mit zwei Kanälen (Ureteroskop – 1 mm x 850 mm und 1 mm x 989 mm) wurden in IN-0003-TF-Kassetten mit entsprechenden Silikonhaltern verpackt, ein (1) pro Kassette. <p>Jede Kassette wurde in einen Aesculap JM442 Behälter gelegt.</p>	<p>Beladung 8a = 4,3 lbs/Kassette, 13 lbs insgesamt</p> <p>Ladung 8b = 8,3 lbs/Kassette, 25 lbs insgesamt</p>

LAGERUNG

Lagern Sie gebrauchsfertige sterile Kassetten in verpackter Form oder im Behälter horizontal. Beachten Sie die Haltbarkeitsangaben des Verpackungsmaterial- oder Behälterherstellers.

ENTSORGUNG

Falls ein InstruSafe® Instrumentenschutzsystem bei der Kontrolle vor Gebrauch oder in anderer Hinsicht als nicht mehr brauchbar befunden wird, muss es gemäß dem örtlich geltenden Protokoll entsorgt werden. Die Entsorgungsmethode hängt von den möglichen Kreuzkontaminations- und Infektionsrisiken ab, die zum Zeitpunkt der Feststellung der Unbrauchbarkeit bestehen.

MELDUNG VON SCHWERWIEGENDEN SCHADENSFÄLLEN

Jeder schwerwiegende Vorfall, der im Zusammenhang mit dem Produkt aufgetreten ist, sollte dem Hersteller und der FDA/zuständigen Behörde des Mitgliedsstaates, in dem der Anwender niedergelassen und/oder Patient wohnhaft ist, gemeldet werden.

GEWÄHRLEISTUNG

BESCHRÄNKTE GEWÄHRLEISTUNG FÜR SUMMIT MEDICAL INSTRUSAFE INSTRUMENTENSCHUTZSYSTEM.

DIE HIERIN AUFGEFÜHRTE BESCHRÄNKTE GEWÄHRLEISTUNG UND DIE RECHTSMITTEL ZUR FEHLERBEHEBUNG GELTEN AUSSCHLIESSLICH UND SCHLIESSEN ALLE ANDEREN AUSDRÜCKLICHEN GEWÄHRLEISTUNGEN AUS, UND JEGLICHE ERKLÄRUNGEN ODER ZUSICHERUNGEN SEITENS ANDERER PERSONEN ODER UNTERNEHMEN SIND, SOFERN HIERIN NICHT ANDERS ANGEGEBEN, UNGÜLTIG. DIE GELTUNGSDAUER DER STILLSCHWEIGENDEN ZUSAGEN IN BEZUG AUF MARKTGÄNGIGKEIT ODER EIGNUNG FÜR EINEN BESTIMMTEN ZWECK IST AUF DIE DAUER DIESER EINGESCHRÄNKTEN GEWÄHRLEISTUNG BESCHRÄNKT. WEDER SUMMIT MEDICAL NOCH SEINE VERBUNDENEN UNTERNEHMEN KÖNNEN FÜR ZUFÄLLIGE, NACHFOLGENDE ODER BESONDERE VERLUSTE ODER SCHÄDEN HAFTBAR GEMACHT WERDEN, DIE AUS DER NUTZUNG ODER VERHINDERTEN NUTZUNG DES INSTRUSAFE SYSTEMS RESULTIEREN, UNABHÄNGIG DAVON, OB SICH DIES DURCH EINE GARANTIEVERLETZUNG ODER IRGEND EINE ANDERE RECHTSTHEORIE BEGRÜNDET.

Diese beschränkte Gewährleistung gewährt Ihnen bestimmte Rechte und räumt Ihnen möglicherweise auch andere Rechte ein, die von Land zu Land unterschiedlich sind. Einige Länder lassen zeitliche Beschränkungen hinsichtlich der Gültigkeit stillschweigender Gewährleistungen nicht zu bzw. gestatten den Ausschluss oder die Einschränkung von Neben- oder Folgeschäden nicht, so dass die vorstehenden Beschränkungen oder Ausschlüsse eventuell nicht auf Sie zutreffen.

Was ist unter der Gewährleistung abgedeckt? Summit Medical garantiert gegenüber dem Erstkäufer, dass das InstruSafe System, dem diese beschränkte Gewährleistung beiliegt, den Herstellerspezifikationen entspricht und während eines Zeitraums von 12 Monaten ab dem Datum des Erstkaufs frei von Verarbeitungs- und Materialfehlern ist. Wenn der Erstkäufer das InstruSafe System an eine andere Partei weiterverkauft, kann die Partei, an die das Produkt weiterverkauft wurde, keine Ansprüche im Rahmen dieser beschränkten Gewährleistung erheben.

Unsere Leistungen zur Fehlerbehebung. Sollte Ihr InstruSafe System während dieses Zeitraums einen Defekt aufweisen, müssen Sie Summit Medical oder einen autorisierten Vertriebshändler von Summit Medical darüber in Kenntnis setzen. Sie müssen Summit Medical oder deren Vertretern die Durchführung von Prüfungen, Untersuchungen und Tests, die Summit Medical als angemessen ansieht, erlauben und das Produkt auf Aufforderung unter der unten angeführten Adresse an das Werk zurücksenden. Die einzige Verpflichtung von Summit Medical im Rahmen dieser Gewährleistung beschränkt sich darauf, das defekte Produkt bzw. defekte Produkte nach eigenem Ermessen zu reparieren oder zu ersetzen, ohne Ersatzteile oder Arbeitsaufwand in Rechnung zu stellen. Porto-, Versicherungs- oder Transportkosten, die beim Zurücksenden Ihres InstruSafe Produkts für einen Gewährleistungsanspruch anfallen, sind von Ihnen zu tragen.

Von der Gewährleistung ausgeschlossen. Diese beschränkte Gewährleistung gilt nur unter der Bedingung, dass das Produkt in angemessener Weise genutzt und gewartet wird. Sie gilt nicht für Produkte, die unsachgemäß transportiert oder die falsch angewendet, missbraucht, vernachlässigt oder unsachgemäß gewartet, gereinigt oder gelagert wurden bzw. die von einer anderen Partei als Summit Medical oder einem autorisierten Vertriebshändler von Summit Medical gewartet wurden oder die ohne ausdrückliche Genehmigung durch Summit Medical modifiziert wurden. Die Nichtbeachtung der Anweisungen der Herstellerdokumentation (Gebrauchsanweisung) kann als unsachgemäße Nutzung oder Wartung des Produkts angesehen werden und somit die Anwendung dieser Gewährleistungsbeschränkung bewirken. Diese Gewährleistung erstreckt sich nicht auf normalen Verschleiß oder auf Ersatzteile.

Bei Fragen oder Reklamationen im Zusammenhang mit dieser Gewährleistung wenden Sie sich an:

Kundendienstabteilung
Summit Medical
815 Vikings Parkway, Suite 100
St. Paul, MN 55121 | USA
www.instrusafe.com

TELEFON: +1 651-789-3939 | 888-229-2875
FAX: +1 651-789-3979 | 888-229-1941
E-MAIL: customerservice@innoviamedical.com

Le istruzioni qui fornite sono state convalidate dal produttore del dispositivo per il ricondizionamento di dispositivi medici riutilizzabili.

Gli sterilizzatori, la pulizia degli strumenti, il caricamento specifico dei vassoi di strumenti, i tipi e la geometria degli strumenti, i contenitori di sterilizzazione, i filtri e i teli di confezionamento variano in base alla struttura sanitaria.

LEGGERE QUESTO CAPITOLO PRIMA DI METTERE IN SERVIZIO IL PRODOTTO

USO PREVISTO/INDICAZIONI PER L'USO - RIEPILOGO

Le cassette/i vassoi dei sistemi di protezione per strumenti InstruSafe® sono destinati a contenere e proteggere dispositivi medici riutilizzabili durante il trasporto, la sterilizzazione e la conservazione. Le cassette/i vassoi del sistema di protezione per strumenti InstruSafe® vengono usati per organizzare e proteggere altri dispositivi medici durante la sterilizzazione ad opera di un operatore sanitario.

Le cassette/i vassoi del sistema di protezione per strumenti InstruSafe hanno lo scopo di consentire la sterilizzazione dei dispositivi medici in esse racchiusi durante i seguenti cicli di sterilizzazione:

- Vapore pre-vuoto (ISO 17665-1 e EN 285)
- Ossido di etilene (ISO 11135)
- Cicli di sterilizzazione a bassa temperatura convalidati, (ISO 14937) i.e.
 - STERRAD® 100S Standard (ciclo breve)
 - STERRAD® 100NX® Express, Standard, e Flex
 - STERIS® AMSCO® V-PRO 1®, V-PRO 1 Plus, V-PRO maX e V-PRO maX 2
 - Sterizone® VP4
 - STERRAD® NX® Standard

Le cassette/i vassoi del sistema di protezione per strumenti InstruSafe non sono stati progettati per mantenere la sterilità se usati da soli. Le cassette/i vassoi del sistema di protezione per strumenti InstruSafe sono destinati a essere usati unitamente a teli di confezionamento legalmente disponibili in commercio, contenitori rigidi Aesculap® o contenitori rigidi Genesis™.

I contenitori di sterilizzazione InstruSafe sono stati convalidati per l'uso con le cassette/i vassoi del sistema di protezione strumenti InstruSafe (solo ciclo di sterilizzazione a vapore con pre-vuoto di 4 minuti, 132°C (270°F)) secondo la notifica di precommercializzazione n. 510(k) K180528. Per ulteriori informazioni, consultare le istruzioni per l'uso del contenitore di sterilizzazione InstruSafe®.

L'elenco completo dei modelli di dispositivi è riportato nell'Appendice A, consultabile all'indirizzo www.instrusafe.com/ifus.

DESCRIZIONE DEL DISPOSITIVO

I sistemi di protezione per strumenti InstruSafe di Summit Medical sono costituiti da cassette e vassoi usati per racchiudere strumenti chirurgici e accessori in modo organizzato durante la sterilizzazione e le successive operazioni di conservazione e trasporto. Le cassette e i vassoi non sono a contatto diretto con i pazienti. Se usati da soli, non mantengono la sterilità. Hanno la base di forma rettangolare, con coperchio dotato di fermo, e sono disponibili in diverse misure. Presentano perforazioni che consentono allo sterilizzante di penetrare. Includono inserti in silicone da inserire nella base e/o nel coperchio per tenere, organizzare e proteggere gli strumenti chirurgici in essi riposti durante il ciclo di sterilizzazione e le successive operazioni di conservazione e trasporto.

UTENTE PREVISTO

Il sistema di protezione per strumenti InstruSafe® è destinato a essere utilizzato dagli operatori sanitari in sala operatoria e in reparti sterili per il trasporto, la sterilizzazione e la conservazione di dispositivi medici.

LIMITAZIONI AL TRATTAMENTO

1. Il termine della vita utile del sistema di protezione per strumenti InstruSafe è minimo 25 cicli di sterilizzazione. Prima dell'uso, controllare se il vassoio presenta segni di usura e danni causati dall'uso e metterlo fuori servizio in caso di segni visibili, inclusi corrosione, guasti meccanici, incrinature, abrasioni, sfaldature, saldature rovinate, danni a piedini, fermi e supporti Hold-Its®/ Hold-Downs, scolorimento, ecc.
2. Per i metodi di sterilizzazione e le configurazioni, consultare la **Tabella 2**.
3. **NON SOVRACCARICARE** i sistemi o i componenti InstruSafe.
4. **NON SOVRACCARICARE** le singole fenditure dei supporti Hold-Its. Caricare un solo strumento per fenditura Hold-Its.
5. Gli utenti che utilizzano i contenitori rigidi devono **EVITARE DI AVVOLGERE** i sistemi o i componenti InstruSafe e devono collocarli all'interno del contenitore di sterilizzazione.
6. Dentro gli sterilizzatori, **NON IMPILARE** i sistemi o i componenti InstruSafe avvolti singolarmente o riposti in precedenza all'interno dei contenitori. Separare fra loro e da altri dispositivi i sistemi o i componenti InstruSafe avvolti o riposti in contenitori, sistemandoli su mensole diverse nello sterilizzatore per massimizzare il flusso di sterilizzante.
7. L'uso di rivestimenti non assorbenti nei vassoi (come tappetini in silicone) può provocare l'accumulo di condensa. In presenza di umidità visibile, risterilizzare con un tempo di asciugatura più lungo.
8. Il peso totale del sistema di contenitori (ad es. contenitore, vassoio e strumenti) non deve superare 11,34 kg (25 libbre).
9. Gli strumenti (ad es. endoscopi e strumenti con lumen o canali) devono essere preparati e sterilizzati secondo le istruzioni del produttore dello strumento.
10. È responsabilità dell'operatore conservare le specifiche convalide per il processo di sterilizzazione terminale applicato alle configurazioni degli strumenti e dei contenitori da sottoporre al processo di sterilizzazione.
11. Consultare le istruzioni per l'uso del produttore dello sterilizzatore per ulteriori limitazioni (ad esempio, vincoli dimensionali o di peso).

AVVERTENZE

- Per i sistemi InstruSafe in alluminio, usare solo detersivi a pH neutro (6,0 - 8,5) in modo da evitare danni alla finitura. I detersivi con pH altamente acido o altamente alcalino possono danneggiare in modo permanente la finitura in alluminio anodizzato delle cassette e dei componenti di metallo.
- Non utilizzare in caso di imballaggio danneggiato o che appare aperto non intenzionalmente prima dell'uso.

Nota: Prima di utilizzare le cassette, pulirle e ispezionarle secondo le istruzioni fornite.

PRECAUZIONI UNIVERSALI

- Gli operatori devono indossare tutti gli indumenti e gli equipaggiamenti di protezione personale imposti dai datori di lavoro e dalle procedure operative per il livello di contaminazione al quale sono esposti.
- Per evitare la corrosione, durante il ciclo di sterilizzazione tenere separati i metalli di tipi diversi.

PUNTO DI UTILIZZO

Rimuovere lo sporco visibile con un panno e/o una salvietta di carta monouso. Tenere umidi i componenti contaminati fino all'esecuzione dei procedimenti di pulizia appropriati.

PULIZIA

Per la pulizia dello strumento nelle cassette, consultare le istruzioni specifiche per l'uso del produttore dello strumento.

Si consiglia di utilizzare una delle seguenti opzioni di pulizia convalidate per pulire la cassetta/il vassoio.

Per evitare di danneggiare la finitura delle cassette di alluminio, usare esclusivamente soluzioni a pH neutro (6,0 - 8,5) prive di carbonato di sodio.

NON usare spugnette ruvide o detersivi abrasivi. **NON** conservare la cassetta in alcun liquido.

1. Eliminazione manuale dello sporco visibile:

- A. Materiali necessari: Detergente enzimatico a pH neutro (6,0 - 8,5), spazzolino con setole morbide e acqua corrente.
- B. Rimuovere tutto lo sporco e i contaminanti visibili usando uno spazzolino con setole morbide. Immergere completamente la cassetta per almeno 2 minuti durante la pulizia; questo agevola la rimozione dei contaminanti e riduce gli spruzzi di detergente sull'operatore.
- C. Sciacquare a fondo per almeno 1 minuto con acqua pulita per eliminare tutto il detergente. Consultare le istruzioni per il risciacquo sull'etichetta del detergente.

2. Pulizia a ultrasuoni:

- A. Preparare un lavaggio enzimatico in un'unità di pulizia a ultrasuoni.
- B. Sistemare una sola cassetta nel detergente e lavarla per almeno dieci minuti.
- C. Sciacquare per almeno 2 minuti con acqua fredda corrente.
- D. Ispezionare visivamente la cassetta alla ricerca di contaminanti. Ripetere il ciclo, se necessario, per rimuovere la contaminazione visibile.

3. Lavatrice automatica:

I sistemi di protezione per strumenti InstruSafe sono stati convalidati per i cicli di lavaggio automatico elencati nella seguente **Tabella 1**. L'operatore dovrà rispettare i parametri specificati.

Tabella 1

CICLO	TEMPERATURA DELL'ACQUA	PROCEDIMENTO PER LA PULIZIA
Prelavaggio 1 e 2	Acqua fredda corrente	Tempo di ricircolo: 2 minuti
Lavaggio enzimatico	Acqua calda corrente	Tempo di immersione: 4 minuti
Lavaggio 1	Riscaldato a 65,5°C (150°F)	Tempo di ricircolo: 15 minuti
Risciacquo 1 e 2	Acqua calda corrente	Tempo di ricircolo: 5 minuti

Nota: Dopo il completamento del ciclo di lavaggio automatico, ispezionare visivamente il sistema InstruSafe (cassetta e accessori) per individuare eventuale sporco visibile residuo. Tutto lo sporco visibile deve essere eliminato mediante pulizia manuale, con spazzolini, ultrasuoni e ulteriori cicli automatici prima di procedere alla sterilizzazione.

DISINFEZIONE

I sistemi InstruSafe sono progettati per la sterilizzazione terminale.

MANUTENZIONE, ISPEZIONE E TEST

I sistemi InstruSafe possono essere riutilizzati fino al manifestarsi di livelli di deterioramento inaccettabili (corrosione, incrinature, ruggine, abrasioni, sfaldature, scolorimento o guasti meccanici).

I segnali di guasto meccanico includono:

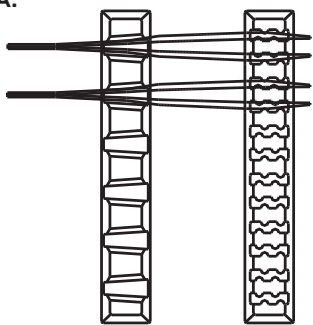
- angoli o saldature rotti o incrinati
- fermi rotti o non funzionanti
- inserti in silicone mancanti, lacerati o tagliati
- piedini mancanti o danneggiati.

ASSEMBLAGGIO

1. Sistemare gli strumenti nei supporti prestabiliti o nell'area definita dai perni di posizionamento in modo che tutte le superfici degli strumenti siano esposte allo sterilizzante. Vedere la **Figura A**. Assicurarsi che vi sia un solo strumento in ciascuna fenditura. Se possibile, smontare o aprire tutte le parti degli strumenti secondo le istruzioni del relativo produttore.

NON sovraccaricare i supporti e non superare i limiti di peso delle cassette. Consultare l'Appendice A.

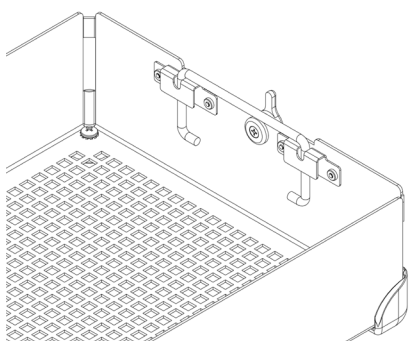
Figura A.



Nota: Gli strumenti complessi (ad es., endoscopi e strumenti con lumen o canali) devono essere preparati e sterilizzati in osservanza delle istruzioni del relativo produttore.

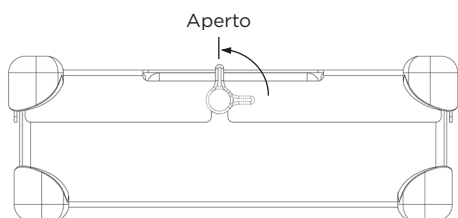
2. Assicurarsi che le maniglie siano posizionate all'interno della cassetta (posizione retratta). Fare riferimento alla **Figura B**.

Figura B.



3. Sistemare il coperchio della cassetta sulla base, assicurandosi che i fermi siano posizionati correttamente rispetto alle relative scanalature sul coperchio, e quindi chiuderli. Vedere la **Figura C**.

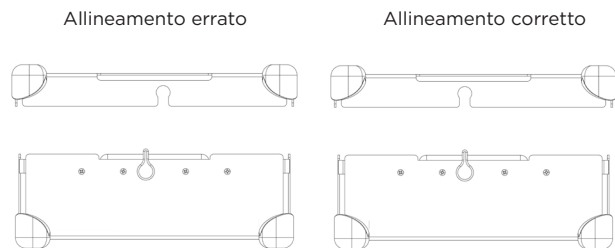
Figura C.



Nota: I fermi sono fuori centro, in modo che il coperchio della cassetta sia sempre correttamente allineato alla base del vassoio. Così si ha la garanzia che i supporti siano allineati quando il coperchio è chiuso. Per l'allineamento corretto, vedere la **Figura D**.

Non forzare il coperchio della cassetta sulla base, in quanto può danneggiare gli strumenti e la cassetta.

Figura D.



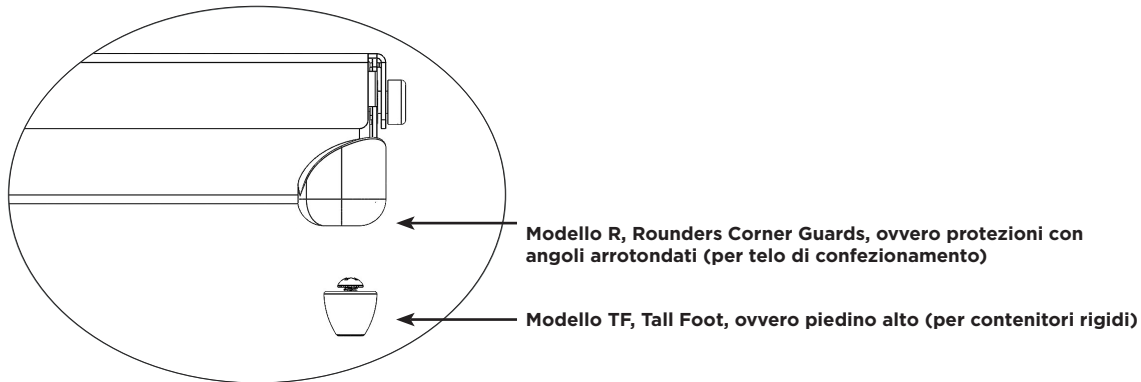
CONFEZIONE

Gli strumenti InstruSafe possono essere avvolti in teli di confezionamento o posti in contenitori rigidi legalmente disponibili in commercio. Fare riferimento alle indicazioni per l'uso contenute nelle istruzioni per l'uso.

Uso dei teli di confezionamento:

1. Prima di avvolgere la cassetta, assicurarsi che siano installati i piedini del modello adatto. Con i teli di confezionamento, si può usare il modello R. Vedere la **Figura F**.

Figura F.



2. Avvolgere la cassetta in un telo di confezionamento legalmente disponibile in commercio seguendo le istruzioni del produttore del telo.
3. Sterilizzare la confezione seguendo uno dei cicli di sterilizzazione indicati nelle istruzioni per l'uso.

Uso di un contenitore rigido:

Consultare le indicazioni per l'uso contenute nelle istruzioni per l'uso.

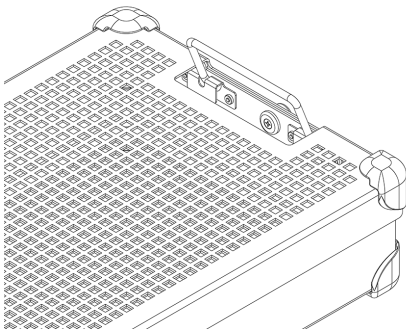
1. Prima di sistemare la cassetta in un contenitore rigido, assicurarsi che siano installati i piedini del modello adatto. Con i contenitori rigidi, si può usare il modello TF. Vedere la **Figura F**.
2. Sistemare la cassetta nel contenitore rigido. Sigillarlo seguendo le istruzioni del produttore del contenitore.
Nota: Non avvolgere le cassette prima di collocarle nel contenitore di sterilizzazione.
3. Sterilizzare il contenitore e il contenuto seguendo uno dei cicli di sterilizzazione indicati nelle istruzioni per l'uso.

Ulteriori informazioni:

Per estrarre in modo asettico la cassetta da un contenitore rigido, seguire le istruzioni del produttore del contenitore.

1. Indossando dei guanti, tenere i palmi delle mani verso l'esterno e inserire le mani nelle aperture del coperchio della cassetta.
2. Afferrare le maniglie della cassetta e portarle in posizione sollevata. Vedere la **Figura G**.

Figura G.



3. Inclinare le maniglie verso l'interno, in direzione opposta ai lati del contenitore rigido, e sollevare la cassetta dal contenitore facendo attenzione a non toccare la parte superiore o esterna del contenitore.
4. Sistemare la cassetta su una superficie sterile.

STERILIZZAZIONE

Per i parametri di sterilizzazione convalidati per la sterilizzazione dei sistemi InstruSafe, consultare la **Tabella 2**.

Tabella 2.

METODO DI STERILIZZAZIONE	CICLO (durata)
Vapore con pre-vuoto	Parametri: Temperatura 132°C (270°F) Tempo di esposizione 4 minuti Tempo di asciugatura 30 minuti
Ossido di etilene (EO)	Precondizionamento: Temperatura 55°C (131°F) Umidità relativa 70% ± 15% Tempo di precondizionamento 1 ora Sterilizzazione: Tempo di esposizione 120 minuti Temperatura 55°C (131°F) Tempo di aerazione 12 ore
STERRAD 100S	Standard
STERRAD 100NX	Standard, Express, Flex
STERRAD NX	Standard
STERIS AMSCO V-PRO 1	Standard
STERIS AMSCO V-PRO 1 PLUS	Con o senza lumen
STERIS AMSCO V-PRO maX	Con o senza lumen
STERIS AMSCO V-PRO maX 2	Con o senza lumen
Sterizone VP4	Ciclo 1

Summit Medical ha convalidato i seguenti metodi di sterilizzazione:

- ciclo di sterilizzazione in autoclave di 4 minuti in telo di confezionamento legalmente disponibile in commercio, contenitore di sterilizzazione InstruSafe, contenitore rigido Aesculap o contenitore rigido Genesis approvati dall'ente statunitense FDA; il contenitore di sterilizzazione InstruSafe è stato convalidato per l'uso con le cassette/i vassoi del sistema di protezione strumenti InstruSafe secondo la notifica di precommercializzazione n. K180528.
- ciclo di sterilizzazione con ossido di etilene (EO) in telo di confezionamento legalmente disponibile in commercio o contenitore sterile Genesis approvati da FDA;
- ciclo di sterilizzazione STERRAD 100S Standard in telo di confezionamento legalmente disponibile in commercio o contenitore rigido Aesculap approvati da FDA;
- ciclo di sterilizzazione STERRAD 100NX Standard in telo di confezionamento legalmente disponibile in commercio o contenitore rigido Aesculap approvati da FDA;
- ciclo di sterilizzazione STERRAD 100NX Express in telo di confezionamento legalmente disponibile in commercio approvato da FDA;
- ciclo di sterilizzazione STERRAD 100NX Flex in telo di confezionamento legalmente disponibile in commercio o contenitore rigido Aesculap approvati da FDA;
- ciclo di sterilizzazione STERRAD NX Standard in telo di confezionamento legalmente disponibile in commercio e contenitore rigido Aesculap approvati da FDA;
- cicli di sterilizzazione STERIS AMSCO V-PRO 1, V-PRO 1 PLUS e V-PRO maX e V-PRO maX 2 in telo di confezionamento legalmente disponibile in commercio o contenitore rigido Aesculap approvati da FDA;
- ciclo di sterilizzazione Sterizone VP4 in telo di confezionamento legalmente disponibile in commercio o contenitore rigido Aesculap approvati da FDA.

NON superare la portata del contenitore sterile specificata dal produttore.

Mantenere la sterilità mediante un accessorio approvato da FDA.

Consultare le istruzioni dello sterilizzatore per assicurarsi che i carichi utilizzati siano compatibili con il ciclo di sterilizzazione scelto.

Consultare le istruzioni per l'uso del contenitore per assicurarsi che il carico previsto sia compatibile con i carichi approvati da FDA per il contenitore.

INDICAZIONI PER L'USO

Contenitore rigido Aesculap® con telo di confezionamento per 4 minuti di esposizione al vapore

Le cassette del sistema di protezione per strumenti InstruSafe® vengono usate per organizzare e proteggere altri dispositivi medici durante la sterilizzazione da parte di un operatore sanitario. Le cassette del sistema di protezione per strumenti Instru Safe hanno lo scopo di consentire la sterilizzazione dei dispositivi medici in esse contenuti durante il ciclo di sterilizzazione a vapore con pre-vuoto. Le cassette del sistema di protezione per strumenti InstruSafe sono destinate a essere utilizzate unitamente a teli di confezionamento legalmente disponibili in commercio o contenitori rigidi Aesculap. Le cassette del sistema di protezione per strumenti InstruSafe non sono state progettate per mantenere la sterilità se usate da sole.

Parametri di sterilizzazione in autoclave	
Ciclo	Pre-vuoto
Temperatura	132°C (270°F)
Tempo di esposizione	4 minuti
Tempo di asciugatura minimo	30 minuti
Modello di cassetta Summit	Modello di contenitore Aesculap
IN-8823-AE	*JN444
IN-2880	*JK444
IN-6105	*JN742
<i>*Convalidato da Summit Medical ESCLUSIVAMENTE per l'uso in sterilizzatori a vapore con ciclo a pre-vuoto a 132°C (270°F) per 4 minuti di esposizione. Consultare le istruzioni relative al contenitore per assicurarsi che il contenuto non superi i limiti di carico dichiarati sul contenitore di sterilizzazione.</i>	

Lumi compatibili con cicli di sterilizzazione a vapore con pre-vuoto da 4 minuti			
Modello di cassetta Summit	Diametro interno minimo	Lunghezza massima	Numero di lumen
IN-8823-CF	3 mm	400 mm	4
IN-8823-CF	3 mm	200 mm	2
IN-2880	1 mm	76 mm	2
IN-2880	3 mm	177 mm	1
IN-6105	5 mm	241 mm	1
IN-2681	1 mm	65 mm	1
IN-2681	3 mm	200 mm	1
IN-7823	1 mm	400 mm	17

Contenitore rigido Genesis™ per 4 minuti di esposizione al vapore

Le cassette del sistema di protezione per strumenti InstruSafe® vengono usate per organizzare e proteggere altri dispositivi medici durante la sterilizzazione da parte di un operatore sanitario. Le cassette del sistema di protezione per strumenti Instru Safe hanno lo scopo di consentire la sterilizzazione dei dispositivi medici in esse contenuti durante il ciclo di sterilizzazione a vapore con pre-vuoto. Le cassette del sistema di protezione per strumenti InstruSafe sono destinate a essere usate unitamente a contenitori rigidi Genesis. Le cassette del sistema di protezione per strumenti InstruSafe non sono state progettate per mantenere la sterilità se usate da sole. L'elenco completo dei modelli di dispositivi è riportato nell'Appendice A.

Lumi compatibili con cicli di sterilizzazione a vapore con pre-vuoto da 4 minuti			
Modello di cassetta Summit	Diametro interno minimo	Lunghezza massima	Numero di lumen
IN-2681	1 mm	65 mm	1
IN-2681	3 mm	200 mm	1
IN-6105	5 mm	241 mm	1
IN-0000	1 mm	400 mm	5
	3 mm	400 mm	1
	5 mm	400 mm	1

INDICAZIONI PER L'USO (segue)

Contenitore rigido Genesis™ e telo di confezionamento per cicli da 8 minuti di esposizione a vapore e ossido di etilene (EO)

Le cassette del sistema di protezione per strumenti InstruSafe® vengono usate per organizzare e proteggere altri dispositivi durante la sterilizzazione da parte di un operatore sanitario. Le cassette del sistema InstruSafe hanno lo scopo di consentire la sterilizzazione dei dispositivi medici in esse contenuti durante il ciclo di sterilizzazione a vapore con pre-vuoto o all'ossido di etilene. Le cassette del sistema InstruSafe sono destinate a essere utilizzate unitamente a teli di confezionamento centrali legalmente disponibili in commercio o contenitori rigidi Genesis. Le cassette del sistema InstruSafe non sono state progettate per mantenere la sterilità se usate da sole.

Metodi di sterilizzazione e configurazioni

Precondizionamento con esposizione di 8 minuti al vapore a 132°C	
Telo di confezionamento in tessuto da 140 fili	Tempo di asciugatura: 10 minuti
Telo in tessuto non tessuto (Kimberly Clark)	Tempo di asciugatura: 50 minuti
Contenitore Genesis (consultare la Tabella 1 per il tipo di carta filtrante da utilizzare)	Tempo di asciugatura: 30 minuti

Ossido di etilene (EO)
<ul style="list-style-type: none"> Precondizionamento: 1 ora a 55°C (131°F) con umidità relativa del 70% ±15% Esposizione: 2 ore a 55°C (131°F) Tempo di aerazione: 12 ore

Contenitore Genesis	Carta filtrante per contenitori Genesis
CD2-4B	FX3-1: 9x9"
CD2-5B	FX3-1: 9x9"
CD3-4B	FX3-1: 9x9"
CD3-5B	FX3-1: 9x9"
CD3-6B	FX3-1: 9x9"
CD3-7B	FX3-1: 9x9"
CD4-5B	FO3-2: 9x6"
CD5-61B	FO3-2: 9x6"
CD6-6B	FX3-1: 9x9"

Quando si utilizza un qualsiasi contenitore rigido Genesis, consultare le istruzioni operative per l'utente del sistema di contenitori per la sterilizzazione Genesis V. Mueller

Cicli STERRAD® 100S & STERRAD® 100NX® Standard, telo di confezionamento e contenitore rigido Aesculap®

Le cassette del sistema di protezione per strumenti InstruSafe® vengono usate per organizzare e proteggere altri dispositivi durante la sterilizzazione da parte di un operatore sanitario. Le cassette del sistema di protezione per strumenti InstruSafe hanno lo scopo di consentire la sterilizzazione dei dispositivi medici in esse contenuti durante i cicli di sterilizzazione Sterrad 100S Standard e Sterrad 100NX Standard. Le cassette del sistema di protezione per strumenti InstruSafe sono destinate a essere utilizzate unitamente a teli di confezionamento legalmente disponibili in commercio o contenitori rigidi Aesculap. Le cassette del sistema di protezione per strumenti InstruSafe non sono state progettate per mantenere la sterilità se usate da sole. L'elenco completo dei modelli di dispositivi è riportato nell'Appendice A.

Di seguito sono elencati i diversi vassoi di sterilizzazione convalidati con i rispettivi contenitori rigidi:

Ciclo STERRAD 100S Standard	
Modello di cassetta Summit	Modello di contenitore Aesculap
IN-8823-AE	*JM444
IN-6105	*JM440

Ciclo STERRAD 100NX Standard	
Modello di cassetta Summit	Modello di contenitore Aesculap
IN-8823-AE	*JM444
IN-6105	*JM440

*Convalidato da Summit Medical ESCLUSIVAMENTE per l'uso nei cicli STERRAD 100S Standard e STERRAD 100NX Standard. Consultare le istruzioni relative al contenitore per assicurarsi che il contenuto non superi i limiti di carico dichiarati sul contenitore di sterilizzazione.

Lumi compatibili con i cicli STERRAD 100S Standard e STERRAD 100NX Standard	
4 lumen in acciaio inossidabile con diametro interno 3 mm x 400 mm di lunghezza	Tutti i modelli di dimensioni appropriate sono elencati in Appendice A fatta eccezione per il modello IN-2681.
2 lumen in acciaio inossidabile con diametro interno 3 mm x 200 mm di lunghezza	
1 lumen in acciaio inossidabile con diametro interno 3 mm x 200 mm di lunghezza	IN-2681
1 lumen in acciaio inossidabile con diametro interno 1 mm x 65 mm di lunghezza	

INDICAZIONI PER L'USO (segue)

Ciclo STERRAD® NX® Standard, telo di confezionamento e contenitore rigido Aesculap®

Le cassette del sistema di protezione per strumenti InstruSafe® vengono usate per organizzare e proteggere altri dispositivi medici durante la sterilizzazione da parte di un operatore sanitario. Le cassette del sistema di protezione per strumenti InstruSafe hanno lo scopo di consentire la sterilizzazione dei dispositivi medici in esse contenuti durante il ciclo di sterilizzazione Sterrad NX Standard. Le cassette del sistema di protezione per strumenti InstruSafe sono destinate a essere utilizzate unitamente a teli di confezionamento legalmente disponibili in commercio o contenitori rigidi Aesculap. Le cassette del sistema di protezione per strumenti InstruSafe non sono state progettate per mantenere la sterilità se usate da sole. L'elenco completo dei modelli di dispositivi è riportato nell'Appendice A.

Metodi di sterilizzazione e configurazioni
- Ciclo di sterilizzazione Sterrad NX Standard

Lumi compatibili con il ciclo di sterilizzazione STERRAD NX Standard			
Modello di cassetta Summit	Diametro interno minimo	Lunghezza massima	Numero di lumen
IN-2681	1 mm	65 mm	1
IN-2681	3 mm	200 mm	1
IN-8987-S	1 mm	500 mm	5
IN-8615	2,3 mm	210 mm	5
IN-6105	4 mm	235 mm	1

Nota: Il carico convalidato nelle peggiori condizioni, per quanto riguarda il rapporto ventilazione-volume, è quello del vassoio IN-2681.

Ciclo STERRAD® 100NX® Express, telo di confezionamento

Le cassette del sistema di protezione per strumenti InstruSafe® vengono usate per organizzare e proteggere altri dispositivi durante la sterilizzazione ad opera di un operatore sanitario. Le cassette del sistema di protezione per strumenti InstruSafe hanno lo scopo di consentire la sterilizzazione dei dispositivi medici in esse contenuti durante il ciclo di sterilizzazione Sterrad® 100NX Express. Sono destinate a essere usate in abbinamento a un telo di confezionamento legalmente disponibile in commercio. Le cassette del sistema di protezione per strumenti InstruSafe non sono state progettate per mantenere la sterilità se usate da sole. Non viene rilasciata alcuna dichiarazione di compatibilità per quanto riguarda i lumen sottoposti al ciclo Sterrad 100NX Express con il sistema di protezione per strumenti InstruSafe.

Cicli di sterilizzazione STERRAD® 100NX® Flex, telo di confezionamento e contenitore rigido Aesculap®

Le cassette del sistema di protezione per strumenti InstruSafe® vengono usate per organizzare e proteggere altri dispositivi medici durante la sterilizzazione da parte di un operatore sanitario. Le cassette del sistema di protezione per strumenti InstruSafe hanno lo scopo di consentire la sterilizzazione dei dispositivi medici in esse contenuti durante il ciclo di sterilizzazione Sterrad 100NX Flex. Le cassette del sistema di protezione per strumenti InstruSafe sono destinate a essere utilizzate unitamente a teli di confezionamento legalmente disponibili in commercio o contenitori rigidi Aesculap. Le cassette del sistema di protezione per strumenti InstruSafe non sono state progettate per mantenere la sterilità se usate da sole. L'elenco completo dei modelli di dispositivi è riportato nell'Appendice A.

Ciclo di Sterilizzazione STERRAD 100NX Flex	
Modello di cassetta Summit	Modello di contenitore Aesculap
IN-0000	*JM440
IN-6105	*JM440

**Convalidato da Summit Medical ESCLUSIVAMENTE per l'uso nei cicli STERRAD 100NX Flex. Consultare le istruzioni relative al contenitore per assicurarsi che il contenuto non superi i limiti di carico dichiarati sul contenitore di sterilizzazione.*

Lumi compatibili con il ciclo di sterilizzazione STERRAD 100NX Flex				
Modello di cassetta Summit	Diametro interno minimo	Lunghezza massima	Numero di lumen	Telo di confezionamento/ Contenitore rigido
IN-0000	1 mm	850 mm	1	Telo di confezionamento + Contenitore rigido
IN-8823	1 mm	850 mm	1	Telo di confezionamento + Contenitore rigido
IN-7344	1 mm	850 mm	1	Telo di confezionamento
IN-6105	4 mm	235 mm	1	Telo di confezionamento + Contenitore rigido

Il carico convalidato nelle peggiori condizioni, per quanto riguarda il rapporto ventilazione-volume, è quello del vassoio IN-0000.

Nota: Il vassoio IN-0000 viene usato esclusivamente con finalità di prova.

INDICAZIONI PER L'USO (segue)

Cicli di sterilizzazione a bassa temperatura AMSCO® V-PRO®, telo di confezionamento e contenitore rigido Aesculap®

Le cassette del sistema di protezione per strumenti InstruSafe® vengono utilizzate per organizzare e proteggere altri dispositivi medici durante la sterilizzazione da parte di un operatore sanitario. Le cassette del sistema di protezione per strumenti InstruSafe hanno lo scopo di consentire la sterilizzazione dei dispositivi medici in esse contenuti durante i cicli di sterilizzazione a bassa temperatura Amsco V-PRO. Le cassette del sistema di protezione per strumenti InstruSafe sono destinate a essere utilizzate unitamente a teli di confezionamento legalmente disponibili in commercio o contenitori rigidi Aesculap. Le cassette del sistema di protezione per strumenti InstruSafe non sono state progettate per mantenere la sterilità se usate da sole. L'elenco completo dei modelli di dispositivi è riportato nell'Appendice A.

Sistemi di sterilizzazione a bassa temperatura AMSCO V-PRO			
Sterilizzatore	Ciclo standard	Ciclo con lumen	Ciclo senza lumen
V-PRO 1	X	N/A	N/A
V-PRO 1 PLUS	N/A	X	X
V-PRO maX	N/A	X	X
V-PRO maX 2	N/A	X	X
Modello di cassetta Summit		Modello di contenitore Aesculap	
IN-8823		*JM444	
IN-6105		*JM742	
<i>*Convalidato da Summit Medical ESCLUSIVAMENTE per l'uso con i sistemi di sterilizzazione a bassa temperatura AMSCO V-PRO. Quando si usa il contenitore Aesculap come barriera sterile, il carico (vassoio Summit e relativo contenuto) non deve superare il limite di peso o tipo di carico dichiarato per il contenitore.</i>			

Le tabelle seguenti elencano le dimensioni dei lumen degli strumenti convalidati:			
Modello di cassetta Summit	Diametro interno minimo	Lunghezza massima	Numero di lumen
IN-8823	3 mm	400 mm	2
IN-6105	3 mm	200 mm	1
IN-2681	1 mm	64 mm	1
Nota: Il carico convalidato nelle peggiori condizioni, per quanto riguarda il rapporto ventilazione-volume, è quello del vassoio IN-2681.			

INDICAZIONI PER L'USO (segue)

Contenitore rigido Aesculap® con telo di confezionamento per VP4 Sterizone

Le cassette (i vassoi) del sistema di protezione per strumenti InstruSafe® vengono usate per organizzare e proteggere altri dispositivi medici durante la sterilizzazione da parte di un operatore sanitario. Le cassette del sistema di protezione per strumenti InstruSafe hanno lo scopo di consentire la sterilizzazione dei dispositivi medici in esse contenuti durante il Ciclo 1 di sterilizzazione STERIZONE VP4. Le cassette del sistema di protezione per strumenti InstruSafe sono destinate a essere utilizzate unitamente a teli di confezionamento legalmente disponibili in commercio o contenitori rigidi Aesculap. Le cassette del sistema di protezione per strumenti InstruSafe non sono state progettate per mantenere la sterilità, se usate da sole.

Summit Medical ha convalidato l'uso delle cassette del sistema di protezione per strumenti nel Ciclo 1 dello sterilizzatore STERIZONE VP4 mediante dimostrazione dell'efficacia della sterilizzazione con campioni rappresentativi di dispositivi medici, tra cui strumenti generici, strumenti rigidi e semirigidi con lumi ed endoscopi flessibili. La convalida ha fornito informazioni utilizzate per stabilire i limiti di progettazione applicati alla gamma di cassette del sistema di protezione per strumenti InstruSafe per garantire che tutti i modelli rientrino nei limiti convalidati per la ventilazione della cassetta, i ripiani interni e il peso:

- Rapporto minimo ventilazione/volume, strumenti generici: 0,073
- Rapporto minimo ventilazione/volume, endoscopi flessibili: 0,263
- Numero massimo di ripiani interni: Due (2)
- Peso massimo della cassetta (compreso il contenuto): 25 libbre/cassetta

Fare riferimento alla tabella seguente per le portate convalidate delle cassette del sistema di protezione per strumenti InstruSafe. Consultare le istruzioni per l'uso del produttore dello sterilizzatore per assicurarsi che i carichi non superino i limiti dichiarati per lo sterilizzatore.

Descrizione delle portate del sistema di protezione per strumenti InstruSafe.

Rappresentazione del carico di convalida dello sterilizzatore STERIZONE® VP4 n. (K190260)	Descrizione delle portate convalidate di Summit Medical	Portata totale (escluso il peso di 25 libbre del rack di carico)
4	<p>Carico 4a: Consiste nel limite di carico per gli strumenti canalizzati rigidi e semirigidi:</p> <ul style="list-style-type: none"> • Tre (3) endoscopi semirigidi a doppio canale (ureteroscopio - 0,7 mm × 500 mm e 1,1 mm × 500 mm) sono stati confezionati, uno (1) per cassetta, in tre (3) cassette IN 7323-R. • Sono stati aggiunti altri strumenti a canale rigidi per ottenere un totale di 15 canali. <p>Ogni cassetta era dotata di appositi supporti in silicone per strumenti ed era avvolta in un telo.</p> <p>Carico 4b: Consiste nel limite di carico per gli strumenti canalizzati rigidi e semirigidi:</p> <ul style="list-style-type: none"> • Tre (3) endoscopi semirigidi a doppio canale (ureteroscopio - 0,7 mm × 400 mm e 1,1 mm × 400 mm) sono stati confezionati, uno (1) per cassetta, in tre (3) cassette IN-0007-TF. • Sono stati aggiunti altri strumenti a canale rigidi per ottenere un totale di 15 canali. <p>Ogni cassetta era dotata di appositi supporti in silicone per strumenti ed era inserita in un contenitore rigido Aesculap JM440.</p>	<p>Carico 4a = 5 libbre/cassetta, 15 libbre in totale</p> <p>Carico 4b = 11 libbre/cassetta, 33 libbre in totale</p>
7	<p>Portata convalidata di Summit Medical 7a: Consiste nel limite di peso del carico per strumenti medici generici che presentano le seguenti geometrie:</p> <ul style="list-style-type: none"> • Cerniera a serratura • Cerniera a perno • Luer-lock <p>Gli strumenti medici generici sono stati distribuiti in tre (3) cassette IN-7323-R con appositi supporti in silicone, ciascuna del peso di 25 libbre. Le cassette sono state avvolte in un telo.</p> <p>Portata convalidata di Summit Medical 7b: Consiste nel limite di peso del carico per strumenti medici generici che presentano le seguenti geometrie:</p> <ul style="list-style-type: none"> • Cerniera a serratura • Cerniera a perno • Luer-lock <p>Gli strumenti medici generici sono stati distribuiti in tre (3) cassette IN-0006-TF con appositi supporti in silicone. Le cassette sono state inserite in contenitori Aesculap JM440, ciascuno del peso di 25 libbre.</p>	<p>Carico 7a = 25 libbre/cassetta 75 libbre in totale</p> <p>Carico 7b = 25 libbre/cassetta 75 libbre in totale</p>
8	<p>Portata convalidata di Summit Medical 8a: Consiste nel limite di carico di cinque (5) canali endoscopici flessibili totali in cassette avvolti in teli:</p> <ul style="list-style-type: none"> • Due (2) endoscopi flessibili a doppio canale (ureteroscopio - 1 mm × 850 mm e 1 mm × 989 mm) sono stati confezionati, uno (1) per cassetta, in cassette IN-0003-R. • Un (1) endoscopio flessibile monocanale (ureteroscopio - 1 mm × 850 mm) è stato confezionato in una cassetta IN-0004-R. <p>Le cassette erano dotate di appositi supporti in silicone e sono state avvolte in un telo.</p> <p>Portata convalidata di Summit Medical 8b: Consiste nel limite di carico di quattro (4) canali endoscopici flessibili totali in cassette confezionate in contenitori rigidi:</p> <ul style="list-style-type: none"> • Due (2) endoscopi flessibili a doppio canale (ureteroscopio - 1 mm × 850 mm e 1 mm × 989 mm) sono stati confezionati, uno (1) per cassetta, in cassette IN-0003-TF con appositi supporti in silicone. <p>Ogni cassetta è stata inserita in un contenitore Aesculap JM442.</p>	<p>Carico 8a = 4,3 libbre/ cassetta, 13 libbre in totale</p> <p>Carico 8b = 8,3 libbre/ cassetta, 25 libbre in totale</p>

CONSERVAZIONE

Dopo la sterilizzazione terminale, conservare le cassette avvolte o nei contenitori su apposite mensole in posizione orizzontale. Per informazioni sulla durata di conservazione, consultare il produttore del telo di confezionamento o del contenitore.

SMALTIMENTO

Nel caso in cui i sistemi di protezione per strumenti InstruSafe® non superino l'ispezione prima del loro utilizzo o vengano giudicati non più idonei, i dispositivi devono essere smaltiti nel rispetto del protocollo locale. Il metodo di smaltimento dipenderà dai potenziali rischi di contaminazione crociata e infezione nel momento in cui viene rilevata la necessità di smaltimento.

SEGNALAZIONE DI INCIDENTI GRAVI

In caso di eventuali incidenti gravi legati al dispositivo, è necessario informare il produttore e FDA o l'autorità competente dello Stato membro in cui si trovano l'utente e/o il paziente.

GARANZIA

GARANZIA LIMITATA DEL SISTEMA DI PROTEZIONE PER STRUMENTI INSTRUSAFE DI SUMMIT MEDICAL.

QUESTA GARANZIA LIMITATA E IL RICORSO AI SENSI DELLA STESSA SONO ESCLUSIVI E IN SOSTITUZIONE DI QUALSIASI ALTRA GARANZIA ESPLICITA; INOLTRE, A MENO CHE NON VENGA QUI DICHIARATO DIVERSAMENTE, VIENE RITENUTA NULLA QUALSIASI DICHIARAZIONE O AFFERMAZIONE RILASCIATA DA ALTRE PERSONE FISICHE O GIURIDICHE. LA DURATA DI QUALSIASI GARANZIA IMPLICITA DI COMMERCIALITÀ O IDONEITÀ A UNO SCOPO PARTICOLARE È LIMITATA ALLA DURATA DELL'ESPLICITA GARANZIA LIMITATA. NÉ SUMMIT MEDICAL, NÉ LE SUE AFFILIATE POTRANNO ESSERE RITENUTE RESPONSABILI DI PERDITE O DANNI INCIDENTALI, CONSEGUENTI O SPECIALI, DERIVANTI DALL'USO O DALL'IMPOSSIBILITÀ DI USARE IL SISTEMA INSTRUSAFE, A CAUSA DI INADEMPIENZA DELLA GARANZIA O QUALSIASI ALTRA TEORIA LEGALE.

Questa garanzia limitata conferisce all'utente specifici diritti legali, a cui possono aggiungersi altri diritti che variano secondo i Paesi. In alcuni Paesi non sono consentite limitazioni della durata delle garanzie implicite, né l'esclusione o la limitazione dei danni incidentali o conseguenti, per cui tali limitazioni o esclusioni potrebbero non essere applicabili all'utilizzatore.

Copertura della garanzia. Summit Medical garantisce all'acquirente originale che il sistema InstruSafe, coperto dalla presente garanzia limitata, è conforme alle specifiche del produttore e sarà privo di difetti di lavorazione e di materiali per un periodo di 12 mesi dalla data di acquisto originale. Se l'acquirente originale trasferisce il sistema InstruSafe a terzi, la presente garanzia limitata non sarà applicabile al nuovo possessore del prodotto.

Obblighi di Summit Medical in caso di problemi. Nel caso in cui il sistema InstruSafe si dimostri difettoso durante il periodo di garanzia, l'utilizzatore lo deve comunicare a Summit Medical o ad un distributore o concessionario autorizzato da Summit Medical. L'utilizzatore deve consentire a Summit Medical o ai suoi rappresentanti di svolgere le indagini, gli esami e i test che Summit Medical ritenga appropriati e, se richiesto, deve restituire il prodotto alla fabbrica all'indirizzo indicato di seguito. Il solo obbligo di Summit Medical ai sensi della presente garanzia limitata è la riparazione o la sostituzione, a sua discrezione, del prodotto o dei prodotti difettosi, senza addebito per pezzi di ricambio o lavorazione. L'utilizzatore sarà responsabile delle spese relative ad affrancatura, assicurazione e spedizione necessarie per la restituzione del sistema InstruSafe per l'assistenza in garanzia.

Esclusioni dalla garanzia. La validità della presente garanzia limitata dipende dall'uso corretto e dall'opportuna manutenzione del prodotto; non copre prodotti che sono stati spediti in modo inadeguato, che sono stati oggetto di uso improprio, abuso, negligenza oppure manutenzione, pulizia o conservazione errate, che sono stati riparati da personale diverso da Summit Medical o da un distributore o concessionario autorizzato da Summit Medical, o che sono stati modificati senza l'espressa autorizzazione di Summit Medical. Il mancato rispetto delle istruzioni indicate nel manuale d'uso può costituire un uso improprio o una manutenzione errata del prodotto e causare l'annullamento della presente garanzia limitata. Questa garanzia non copre i pezzi soggetti a normale usura e sostituzione.

In caso di domande o reclami relativi alla presente garanzia, contattare:

Ufficio assistenza clienti
Summit Medical
815 Vikings Parkway, Suite 100
St. Paul, MN 55121 | USA
www.instrusafe.com

TELEFONO: +1 651-789-3939
FAX: +1 651-789-3979
EMAIL: customerservice@innoviamedical.com

Las instrucciones aquí presentadas han sido validadas por el fabricante del dispositivo para el reprocesado de dispositivos médicos reutilizables.

Los esterilizadores, la limpieza del instrumental, las cargas específicas de las bandejas de instrumental, los tipos y geometrías del instrumental, los recipientes de esterilización, los filtros y las envolturas varían individualmente según la ubicación.

LEA ESTA SECCIÓN ANTES DE PONER EN SERVICIO EL PRODUCTO

RESUMEN DE USO PREVISTO/MODO DE EMPLEO

Los casetes/bandejas de los sistemas de protección de instrumental InstruSafe® están destinados a contener y proteger los dispositivos médicos reutilizables durante el transporte, la esterilización y el almacenamiento. Los casetes/bandejas de los sistemas de protección de instrumental InstruSafe® sirven para organizar y proteger otros dispositivos médicos que son esterilizados por un profesional sanitario. Los casetes/bandejas de los sistemas de protección de instrumental InstruSafe están diseñados para facilitar la esterilización de los dispositivos médicos contenidos en su interior durante estos ciclos de esterilización:

- Vapor con vacío previo (ISO 17665-1 y EN 285)
- Óxido de etileno (ISO 11135)
- Esterilización a baja temperatura validada, (ISO 14937), es decir
 - STERRAD® 100S Standard (corto) ▪ STERIS® AMSCO® V-PRO 1®, V-PRO 1 Plus, V-PRO maX y V-PRO maX 2
 - STERRAD® 100NX® Express, Standard y Flex ▪ Sterizone® VP4
 - STERRAD® NX® Standard

Los casetes/bandejas del sistema de protección de instrumental InstruSafe no están destinados a mantener la esterilidad por sí solos. Los casetes/bandejas del sistema de protección de instrumental InstruSafe están destinados a utilizarse en combinación con una envoltura o con un recipiente rígido Aesculap® o Genesis™, comercializados legalmente.

Los recipientes de esterilización InstruSafe han sido validados para su uso con los casetes/bandejas del sistema de protección de instrumental InstruSafe, (vacío previo, 132 °C [270 °F], ciclo de esterilización por vapor de 4 minutos solamente) bajo 510(k) K180528. Consulte las instrucciones de uso del recipiente de esterilización InstruSafe® para obtener más información.

En el Apéndice A, disponible en www.instrusafe.com/ifus, figura una lista completa de los modelos de dispositivos.

DESCRIPCIÓN DEL DISPOSITIVO

Los sistemas de protección de instrumental Summit Medical InstruSafe son casetes/bandejas que sirven para alojar y mantener accesorios e instrumentos quirúrgicos de manera organizada durante el proceso de esterilización y su posterior almacenamiento y transporte. Los casetes/bandejas no están en contacto directo con los pacientes. Los casetes/bandejas no mantienen la esterilidad por sí solos. Los casetes/bandejas tienen todos la misma configuración básica en diferentes tamaños: una base rectangular con tapa con cierre. Los casetes/bandejas disponen de perforaciones que facilitan la penetración del esterilizante. Los casetes/bandejas contienen aditamentos de silicona en la base o la tapa a fin de sujetar, organizar y proteger el instrumental quirúrgico en su interior durante el proceso de esterilización y su posterior almacenamiento y transporte.

USUARIO PREVISTO

Los sistemas de protección de instrumental InstruSafe® deben ser utilizados por profesionales de la salud en el quirófano y el departamento de procesamiento estéril para el transporte, esterilización y almacenamiento de dispositivos médicos.

LIMITACIÓN DE PROCESAMIENTO

1. El final de la vida útil del sistema de protección de instrumental InstruSafe es de un mínimo de 25 ciclos de esterilización. Inspeccione la bandeja antes de utilizarla para cerciorarse de que no se haya dañado con el uso. No la utilice si observa signos visibles de desgaste, como corrosión, fallos mecánicos, agrietamiento, descamación, peladuras, uniones soldadas fracturadas, patas dañadas, trabas dañadas, Hold-Its®/Hold-Downs dañados, coloración anormal, etc.
2. Consulte la **tabla 2** para conocer los métodos y configuraciones de esterilización.
3. **NO SOBRECARGUE** los sistemas o componentes InstruSafe.
4. **NO SOBRECARGUE** las ranuras individuales Hold-Its. Cargue un solo instrumento por ranura Hold-Its.
5. Para usuarios de recipientes rígidos, **NO ENVUELVA** los sistemas o componentes de InstruSafe y colóquelos dentro del contenedor para su esterilización.
6. Dentro de los esterilizadores, **NO APILE** los sistemas o componentes de InstruSafe envueltos individualmente o en contenedores. Separe los sistemas o componentes InstruSafe envueltos o en contenedores entre sí o de cualquier otro elemento en estantes separados del esterilizador para permitir el máximo caudal de esterilizante.
7. El uso de revestimientos no absorbentes en las bandejas (p. ej., alfombrillas con base organizadora de silicona) puede provocar la acumulación de condensación. Si hay humedad visible, repita la esterilización con un mayor tiempo de secado.
8. El peso total del sistema del recipiente (es decir, recipiente, bandeja y carga de instrumental) no debe ser mayor de 11,34 kg (25 libras).
9. Los instrumentos (por ejemplo, endoscopios e instrumentos con luces o canales) deben prepararse y esterilizarse según las instrucciones del fabricante del instrumento.
10. Es responsabilidad del procesador mantener validaciones específicas para el proceso de esterilización terminal que se aplica a las configuraciones de instrumentos y contenedores que se presentan al proceso de esterilización.
11. Consulte las instrucciones de uso del fabricante del esterilizador para conocer otras limitaciones (por ejemplo, restricciones de dimensiones o peso).

ADVERTENCIAS

- Para los sistemas InstruSafe de aluminio, utilice únicamente detergentes de pH neutro (6,0 - 8,5) para no dañar el acabado. Un detergente que tenga un pH muy ácido o muy alcalino podría dañar permanentemente el acabado de aluminio anodizado del casete y de los componentes metálicos.
- No los utilice si el envase está dañado o ha sido abierto involuntariamente antes de su uso.

Nota: Antes de poner en servicio los casetes, límpielos e inspecciónelos siguiendo las instrucciones suministradas.

PRECAUCIONES UNIVERSALES

- El personal debe ponerse ropa y equipos de protección individual adecuados para el nivel de contaminación al que se verán expuestos, según se indique en los procedimientos operativos de su empresa o departamento.
- Durante la esterilización, mantenga separados los componentes de metales diferentes para evitar la corrosión.

PUNTO DE USO

Elimine la suciedad visible con un paño desechable de tela o papel. Los componentes contaminados deben mantenerse húmedos hasta que puedan aplicarse procesos de limpieza apropiados.

LIMPIEZA

Consulte las instrucciones de uso del fabricante del instrumental para conocer las pautas específicas de limpieza de los instrumentos en los casetes.

Se recomienda utilizar una de las siguientes opciones validadas para limpiar la bandeja o el casete.

Utilice solo disoluciones de pH neutro (6,0 - 8,5), sin carbonato de sodio para no dañar el acabado de los casetes de aluminio.

NO utilice estropajos ni limpiadores abrasivos. **NO** guarde el casete en líquido.

1. Descontaminación primaria manual:

- A. Materiales necesarios: Detergente enzimático de pH neutro (6,0 - 8,5), cepillo de cerdas suaves y agua corriente.
- B. Con un cepillo de cerdas suaves, elimine toda la suciedad y contaminantes visibles. Para la limpieza se debe sumergir el casete entero durante un mínimo de 2 minutos a fin de facilitar la eliminación de los contaminantes y reducir las salpicaduras de detergente al personal.
- C. Enjuague a fondo durante no menos de 1 minuto con agua limpia para eliminar todo el detergente. Consulte las instrucciones de enjuagado indicadas en la etiqueta del detergente.

2. Limpieza ultrasónica:

- A. Prepare el lavado enzimático en una unidad de limpieza ultrasónica.
- B. Coloque un solo casete en el detergente y active la limpieza durante un mínimo de 10 minutos.
- C. Enjuáguelo durante un mínimo de 2 minutos con agua fría del grifo.
- D. Inspeccione visualmente el casete para cerciorarse de que no tenga contaminantes. Si es necesario, repita el ciclo para eliminar los contaminantes visibles.

3. Sistema de lavado automático:

Los sistemas de protección de instrumental InstruSafe han sido validados para el ciclo del sistema de lavado automático indicado en la **Tabla 1**.

El procesador deberá calificar los parámetros específicos.

Tabla 1

CICLO	TEMPERATURA DEL AGUA	PROCESO DE LIMPIEZA
Prelavado 1 y 2	Agua fría del grifo	Tiempo de recirculación: 2 minutos
Lavado enzimático	Agua caliente del grifo	Tiempo de remojo: 4 minutos
Lavado 1	Calentada a 65,5 °C (150 °F)	Tiempo de recirculación: 15 minutos
Enjuague 1 y 2	Agua caliente del grifo	Tiempo de recirculación: 5 minutos

Nota: Después de finalizar un ciclo de lavado automático, haga una inspección visual del sistema InstruSafe (casete y accesorios) para cerciorarse de que no haya quedado suciedad visible. Antes de enviar el equipo para su esterilización, se deberá eliminar toda la suciedad visible mediante limpieza manual, cepillado, ultrasonidos o ciclos automáticos adicionales.

DESINFECCIÓN

Los sistemas InstruSafe están diseñados para ser esterilizados de forma definitiva.

MANTENIMIENTO, INSPECCIÓN Y PRUEBAS

Los sistemas InstruSafe pueden reutilizarse hasta que se produzca en los mismos un deterioro inaceptable, como corrosión, agrietamiento, óxidos, peladuras, descamación, coloración anormal o fallo mecánico.

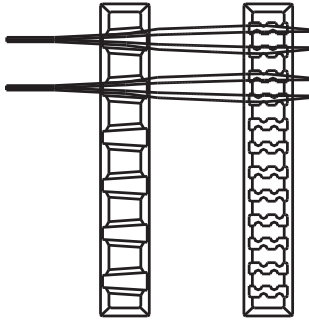
Algunos indicios de fallo mecánico son:

- Soldaduras o esquinas rotas o agrietadas
- Trabas rotas o que no funcionan
- Aditamentos de silicona rotos, cortados o que faltan
- Patas faltantes o dañadas

MONTAJE

1. Coloque los instrumentos en los soportes predeterminados o en el área definida por los postes de localización para que todas las superficies de los instrumentos queden expuestas al esterilizante. Consulte la **Figura A**. Asegúrese de que solo haya un instrumento en cada ranura. Siempre que sea posible, desmonte o abra todas las partes del instrumental siguiendo las instrucciones del fabricante. **NO sobrecargue los soportes ni exceda los límites de peso de los casetes. Consulte el Apéndice A.**

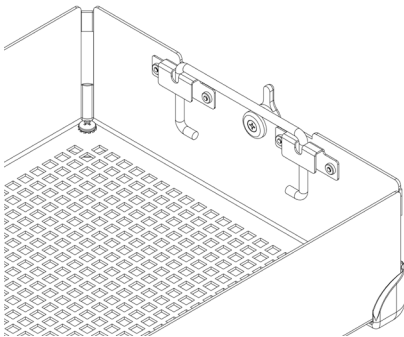
Figura A.



Nota: Los instrumentos (por ejemplo, endoscopios e instrumentos con luces o canales) deben prepararse y esterilizarse según las instrucciones del fabricante del instrumento para su uso.

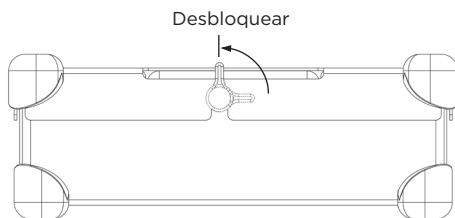
2. Asegúrese de que las asas están colocadas en el interior del casete (posición retraída). Se muestra en la **Figura B**.

Figura B.



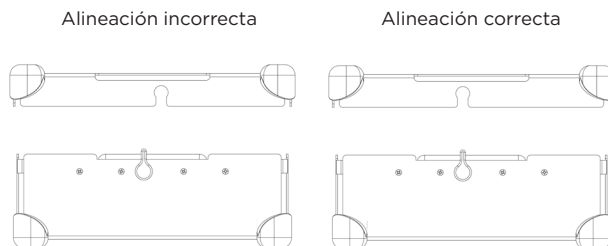
3. Coloque la tapa del casete en la base de este asegurándose de que las trabas estén bien colocadas con la ranura en la tapa y cierre las trabas. Consulte la **Figura C**.

Figura C.



Nota: Las trabas están desplazadas para que la tapa del casete se alinee siempre correctamente con la base. Esto garantiza que los soportes estén alineados cuando la cubierta esté fijada. Consulte la **Figura D** para ver la alineación correcta. **NO fuerce la tapa del casete en su base, ya que podría dañar los instrumentos y el casete.**

Figura D.



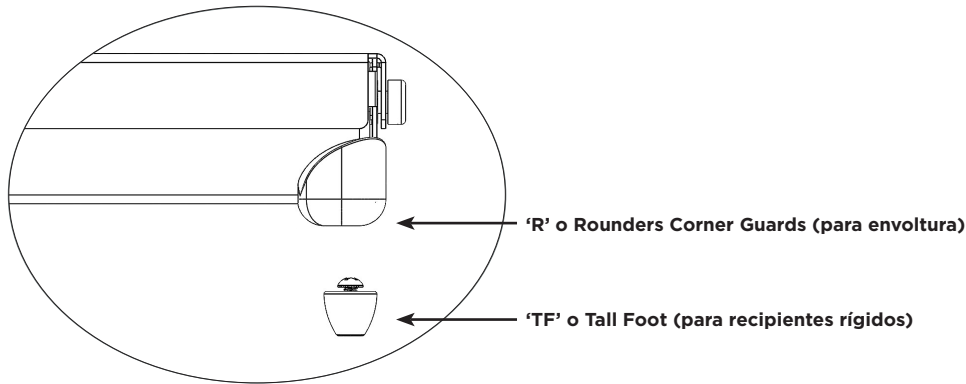
ENVASADO

Los sistemas InstruSafe pueden envolverse con una envoltura comercial o colocarse en un contenedor rígido comercial. Consulte el modo de empleo en las instrucciones de uso.

Uso con envoltura:

1. Antes de envolver el casete, cerciórese de que este tenga el tipo de pata correcto. El tipo R debe usarse con envoltura. Consulte la **Figura F**.

Figura F.



2. Envuelva el casete con una envoltura comercial y según las instrucciones del fabricante de la envoltura.
3. Esterilice el conjunto mediante uno de los ciclos de esterilización indicados en las instrucciones de uso.

Uso con recipientes rígidos:

Consulte el modo de empleo que se encuentra en las instrucciones de uso.

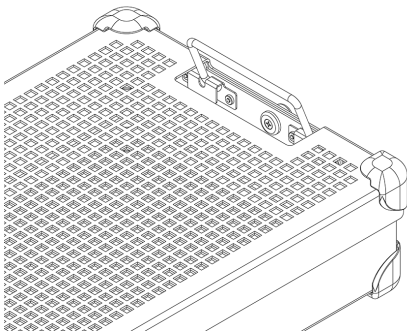
1. Antes de colocar el casete en un recipiente rígido, cerciórese de que tenga el tipo de pata correcto. El tipo TF se puede usar con un recipiente rígido. Consulte la **Figura F**.
2. Coloque el casete en el recipiente rígido. Cierre el recipiente herméticamente según las instrucciones del fabricante.
Nota: No envuelva los casetes antes de colocarlos en el recipiente de esterilización.
3. Esterilice el recipiente y su contenido mediante uno de los ciclos de esterilización indicados en las instrucciones de uso.

Información adicional:

Para extraer el casete de un recipiente rígido en condiciones de asepsia, siga las instrucciones del fabricante del recipiente.

1. Usando guantes estériles, coloque las palmas de las manos hacia afuera y ponga las manos a través de las aberturas de la tapa del casete.
2. Sujete las manijas del casete y llévelas a su posición elevada. Consulte la **Figura G**.

Figura G.



3. Incline las manijas hacia dentro, hacia el lado contrario de los lados del recipiente rígido, y extraiga el casete del recipiente, con cuidado para no tocar las partes superior o exterior.
4. Coloque el casete en una superficie estéril.

ESTERILIZACIÓN

Consulte la **Tabla 2** para conocer los parámetros de esterilización que han sido calificados para la esterilización de los sistemas InstruSafe.

Tabla 2

MÉTODO DE ESTERILIZACIÓN	CICLO (tiempos)
Vapor con vacío previo	Parámetro: Temperatura 132 °C (270 °F) Tiempo de exposición 4 minutos Tiempo de secado 30 minutos
Óxido de etileno (OE)	Preacondicionamiento: Temperatura 55 °C (131 °F) Humedad relativa 70 ± 15 % Tiempo de preacondicionamiento 1 hora Esterilización: Tiempo de exposición 120 minutos Temperatura 55 °C (131 °F) Tiempo de aireación 12 horas
STERRAD 100S	<i>Standard</i>
STERRAD 100NX	<i>Standard, Express, Flex</i>
STERRAD NX	<i>Standard</i>
STERIS AMSCO V-PRO 1	<i>Standard</i>
STERIS AMSCO V-PRO 1 PLUS	<i>Luz, Sin luz</i>
STERIS AMSCO V-PRO maX	<i>Luz, Sin luz</i>
STERIS AMSCO V-PRO maX 2	<i>Luz, Sin luz</i>
Sterizone VP4	<i>Ciclo 1</i>

Summit Medical ha validado los siguientes métodos de esterilización:

- Ciclo de esterilización en autoclave de 4 minutos en un recipiente de esterilización InstruSafe, en una envoltura o un recipiente rígido Aesculap o Genesis comercializados legalmente y homologados por la FDA. En el marco de K180528, el recipiente de esterilización InstruSafe fue validado para su uso con los casetes/bandejas del sistema de protección de instrumental InstruSafe.
- Ciclo de esterilización con óxido de etileno (OE) en una envoltura o un recipiente estéril Genesis, comercializados legalmente y homologados por la FDA.
- Ciclo de esterilización con STERRAD 100S Standard en una envoltura o un recipiente rígido Aesculap, comercializados legalmente y homologados por la FDA.
- Ciclo de esterilización con STERRAD 100NX Standard en una envoltura o un recipiente rígido Aesculap, comercializados legalmente y homologados por la FDA.
- Ciclo de esterilización con STERRAD 100NX Express en una envoltura comercializada legalmente y homologada por la FDA.
- Ciclo de esterilización con STERRAD 100NX Flex en una envoltura o un recipiente rígido Aesculap, comercializados legalmente y homologados por la FDA.
- Ciclo de esterilización con STERRAD NX Standard en una envoltura o un recipiente rígido Aesculap, comercializados legalmente y homologados por la FDA.
- Ciclos de esterilización con STERIS AMSCO V-PRO 1, V-PRO 1 PLUS, V-PRO maX y V-PRO maX 2 en una envoltura o un recipiente rígido Aesculap, comercializados legalmente y homologados por la FDA.
- Ciclo de esterilización con Sterizone VP4 en una envoltura o un recipiente rígido Aesculap, comercializados legalmente y homologados por la FDA.

NO exceda la capacidad de carga del recipiente estéril especificada por el fabricante.

Para mantener la esterilidad, utilice accesorios que estén homologados por la FDA.

Consulte el manual de instrucciones del esterilizador para asegurarse de que las cargas previstas sean compatibles con el ciclo de esterilización previsto.

Consulte las instrucciones de uso del recipiente para asegurarse de que la carga prevista sea compatible con las cargas homologadas por la FDA para ese recipiente.

MODO DE EMPLEO

Vapor 4 minutos, envoltura y recipiente rígido Aesculap®

Los casetes del sistema de protección de instrumental InstruSafe® sirven para organizar y proteger otros dispositivos médicos que son esterilizados por un profesional sanitario. Los casetes del sistema de protección de instrumental InstruSafe están diseñados para facilitar la esterilización de los dispositivos médicos contenidos en su interior durante un ciclo de esterilización de vapor con vacío previo. Los casetes del sistema de protección de instrumental InstruSafe están destinados a utilizarse en combinación con una envoltura o con un recipiente rígido Aesculap comercializados legalmente. Los casetes del sistema de protección de instrumental InstruSafe no están destinados a mantener la esterilidad por sí solos.

Parámetro de esterilización del autoclave	
Ciclo	Vacío previo
Temperatura	132 °C (270 °F)
Tiempo de exposición	4 minutos
Tiempo de secado mínimo	30 minutos
Modelo de casete Summit	Modelo de recipiente Aesculap
IN-8823-AE	*JN444
IN-2880	*JK444
IN-6105	*JN742
* Validado por Summit Medical para utilizarse en esterilizadores de vapor con vacío previo ÚNICAMENTE a 132 °C (270 °F) durante un tiempo de exposición de 4 minutos. Consulte las instrucciones del recipiente de esterilización para cerciorarse de que la carga del contenido no supere la indicada en las especificaciones del producto.	

Especificaciones sobre luces para el ciclo de esterilización de 4 minutos de vapor con vacío previo:			
Modelo de casete Summit	Diámetro interno mínimo	Longitud máxima	Cantidad de luces
IN-8823-CF	3 mm	400 mm	4
IN-8823-CF	3 mm	200 mm	2
IN-2880	1 mm	76 mm	2
IN-2880	3 mm	177 mm	1
IN-6105	5 mm	241 mm	1
IN-2681	1 mm	65 mm	1
IN-2681	3 mm	200 mm	1
IN-7823	1 mm	400 mm	17

4 minutos de vapor, recipiente rígido Genesis™

Los casetes del sistema de protección de instrumental InstruSafe® sirven para organizar y proteger otros dispositivos médicos que son esterilizados por un profesional sanitario. Los casetes del sistema de protección de instrumental InstruSafe están diseñados para facilitar la esterilización de los dispositivos médicos contenidos en su interior durante un ciclo de esterilización de vapor con vacío previo. Los casetes del sistema de protección de instrumental InstruSafe están destinados a utilizarse en combinación con un recipiente rígido Genesis comercializado legalmente. Los casetes del sistema de protección de instrumental InstruSafe no están destinados a mantener la esterilidad por sí solos. En el Apéndice A se muestra una lista completa de modelos de dispositivos.

Especificaciones sobre luces para el ciclo de esterilización de 4 minutos de vapor con vacío previo:			
Modelo de casete Summit	Diámetro interno mínimo	Longitud máxima	Cantidad de luces
IN-2681	1 mm	65 mm	1
IN-2681	3 mm	200 mm	1
IN-6105	5 mm	241 mm	1
IN-0000	1 mm	400 mm	5
	3 mm	400 mm	1
	5 mm	400 mm	1

MODO DE EMPLEO (continuación)

Vapor 8 minutos y óxido de etileno (OE), envoltura y recipiente rígido Genesis™

Los casetes del sistema de protección de instrumental InstruSafe® sirven para organizar y proteger otros dispositivos médicos que son esterilizados por un profesional sanitario. Los casetes del sistema InstruSafe están diseñados para facilitar la esterilización de los dispositivos médicos contenidos en su interior durante los ciclos de esterilización de vapor con vacío previo u óxido de etileno. Los casetes del sistema InstruSafe están destinados a utilizarse en combinación con una envoltura central o con un recipiente rígido Genesis comercializados legalmente. Los casetes del sistema InstruSafe no están destinados a mantener la esterilidad por sí solos.

Métodos de esterilización y configuraciones

8 minutos de vapor, preacondicionamiento a 132 °C	
Envoltura tejida de 140 hilos	Tiempo de secado: 10 minutos
Envoltura no tejida (Kimberly Clark)	Tiempo de secado: 50 minutos
Recipiente Genesis (consulte la tabla 1 para saber qué papel de filtro utilizar)	Tiempo de secado: 30 minutos

Óxido de etileno (OE)
<ul style="list-style-type: none"> ▪ 1 hora de preacondicionamiento a 55 °C (131 °F) con humedad relativa de 70 ± 15 % ▪ 2 horas de exposición a 55 °C (131 °F) ▪ 12 horas de aireación

Recipiente Genesis	Papel de filtro de recipiente Genesis
CD2-4B	FX3-1: 9x9"
CD2-5B	FX3-1: 9x9"
CD3-4B	FX3-1: 9x9"
CD3-5B	FX3-1: 9x9"
CD3-6B	FX3-1: 9x9"
CD3-7B	FX3-1: 9x9"
CD4-5B	FO3-2: 9x6"
CD5-61B	FO3-2: 9x6"
CD6-6B	FX3-1: 9x9"

Consulte las instrucciones de funcionamiento del sistema de recipiente de esterilización V. Mueller Genesis a la hora de usar un recipiente rígido Genesis.

Ciclos con STERRAD® 100S Standard y STERRAD® 100NX® Standard, envoltura y recipiente rígido Aesculap®

Los casetes del sistema de protección de instrumental InstruSafe® sirven para organizar y proteger otros dispositivos médicos que son esterilizados por un profesional sanitario. Los casetes del sistema de protección de instrumental InstruSafe están diseñados para facilitar la esterilización de los dispositivos médicos contenidos en su interior durante los ciclos de esterilización con Sterrad 100S Standard y Sterrad 100NX Standard. Los casetes del sistema de protección de instrumental InstruSafe están destinados a utilizarse en combinación con una envoltura o con un recipiente rígido Aesculap comercializados legalmente. Los casetes del sistema de protección de instrumental InstruSafe no están destinados a mantener la esterilidad por sí solos. En el Apéndice A se muestra una lista completa de modelos de dispositivos.

Se validaron las siguientes bandejas de esterilización con los correspondientes recipientes rígidos:

Ciclo con STERRAD 100S Standard	
Modelo de casete Summit	Modelo de recipiente Aesculap
IN-8823-AE	*JM444
IN-6105	*JM440

Ciclo con STERRAD 100NX Standard	
Modelo de casete Summit	Modelo de recipiente Aesculap
IN-8823-AE	*JM444
IN-6105	*JM440

* Validado por Summit Medical para utilizarse ÚNICAMENTE en ciclos con STERRAD 100S Standard y STERRAD 100NX Standard. Consulte las instrucciones del recipiente de esterilización para cerciorarse de que la carga del contenido no supere la indicada en las especificaciones del producto.

Especificaciones sobre luces para los ciclos con STERRAD 100S Standard y STERRAD 100NX Standard	
4 luces de acero inoxidable con diámetro interno de 3 mm x longitud de 400 mm	Se proporciona una lista completa de todos los modelos en el Apéndice A con la excepción del IN-2681.
2 luces de acero inoxidable con diámetro interno de 3 mm x longitud de 200 mm	
1 luz de acero inoxidable con diámetro interno de 3 mm x longitud de 200 mm	IN-2681
1 luz de acero inoxidable con diámetro interno de 1mm x longitud de 65 mm	

MODO DE EMPLEO (continuación)

Ciclo con STERRAD® NX® Standard, envoltura y recipiente rígido Aesculap®

Los casetes del sistema de protección de instrumental InstruSafe® sirven para organizar y proteger otros dispositivos médicos que son esterilizados por un profesional sanitario. Los casetes del sistema de protección de instrumental InstruSafe están diseñados para facilitar la esterilización de los dispositivos médicos contenidos en su interior durante un ciclo de esterilización con Sterrad NX Standard. Los casetes del sistema de protección de instrumental InstruSafe están destinados a utilizarse en combinación con una envoltura o con un recipiente rígido Aesculap comercializados legalmente. Los casetes del sistema de protección de instrumental InstruSafe no están destinados a mantener la esterilidad por sí solos. En el Apéndice A se muestra una lista completa de modelos de dispositivos.

Métodos de esterilización y configuraciones
- Ciclo de esterilización con Sterrad NX Standard

Especificaciones sobre luces para el ciclo con STERRAD NX Standard			
Modelo de casete Summit	Diámetro interno mínimo	Longitud máxima	Cantidad de luces
IN-2681	1 mm	65 mm	1
IN-2681	3 mm	200 mm	1
IN-8987-S	1 mm	500 mm	5
IN-8615	2,3 mm	210 mm	5
IN-6105	4 mm	235 mm	1

Nota: La carga validada de peor caso según el cálculo de ventilación-volumen es la bandeja IN-2681.

Ciclo con STERRAD® 100NX® Express, envoltura

Los casetes del sistema de protección de instrumental InstruSafe® sirven para organizar y proteger otros dispositivos médicos que son esterilizados por un profesional sanitario. Los casetes del sistema de protección de instrumental InstruSafe están diseñados para facilitar la esterilización de los dispositivos médicos contenidos en su interior durante un ciclo de esterilización con Sterrad® 100NX Express. Los casetes del sistema de protección de instrumental InstruSafe están destinados a utilizarse en combinación con una envoltura comercializada legalmente. Los casetes del sistema de protección de instrumental InstruSafe no están destinados a mantener la esterilidad por sí solos. El sistema de protección de instrumental InstruSafe no tiene especificaciones sobre luces para el ciclo con Sterrad 100NX Express.

Ciclo de esterilización con STERRAD® 100NX® Flex, envoltura y recipiente rígido Aesculap®

Los casetes del sistema de protección de instrumental InstruSafe® sirven para organizar y proteger otros dispositivos médicos que son esterilizados por un profesional sanitario. Los casetes del sistema de protección de instrumental InstruSafe están diseñados para facilitar la esterilización de los dispositivos médicos contenidos en su interior durante un ciclo de esterilización con Sterrad 100NX Flex. Los casetes del sistema de protección de instrumental InstruSafe están destinados a utilizarse en combinación con una envoltura o con un recipiente rígido Aesculap comercializados legalmente. Los casetes del sistema de protección de instrumental InstruSafe no están destinados a mantener la esterilidad por sí solos. En el Apéndice A se muestra una lista completa de modelos de dispositivos.

Ciclo de esterilización con STERRAD 100NX Flex	
Modelo de casete Summit	Modelo de recipiente Aesculap
IN-0000	*JM440
IN-6105	*JM440

* Validado por Summit Medical para utilizarse ÚNICAMENTE en el ciclo de esterilización con STERRAD 100NX Flex. Consulte las instrucciones del recipiente de esterilización para cerciorarse de que la carga del contenido no supere la indicada en las especificaciones del producto.

Especificaciones sobre luces para el ciclo de esterilización con STERRAD 100NX Flex				
Modelo de casete Summit	Diámetro interno mínimo	Longitud máxima	Cantidad de luces	Envoltura/ Recipiente rígido
IN-0000	1 mm	850 mm	1	Envoltura + Recipiente rígido
IN-8823	1 mm	850 mm	1	Envoltura + Recipiente rígido
IN-7344	1 mm	850 mm	1	Envoltura
IN-6105	4 mm	235 mm	1	Envoltura + Recipiente rígido

La carga validada de peor caso según el cálculo de ventilación-volumen es la bandeja IN-0000.

Nota: La bandeja IN-0000 tiene fines de pruebas solamente.

MODO DE EMPLEO (continuación)

Ciclos de esterilización a bajas temperaturas con AMSCO® V-PRO®, envoltura y recipiente rígido Aesculap®

Los casetes del sistema de protección de instrumental InstruSafe® sirven para organizar y proteger otros dispositivos médicos que son esterilizados por un profesional sanitario. Los casetes del sistema de protección de instrumental InstruSafe están diseñados para facilitar la esterilización de los dispositivos médicos contenidos en su interior durante los ciclos de esterilización a bajas temperaturas con Amsco V-PRO. Los casetes del sistema de protección de instrumental InstruSafe están destinados a utilizarse en combinación con una envoltura o con un recipiente rígido Aesculap comercializados legalmente. Los casetes del sistema de protección de instrumental InstruSafe no están destinados a mantener la esterilidad por sí solos. En el Apéndice A se muestra una lista completa de modelos de dispositivos.

Sistemas de esterilización a bajas temperaturas AMSCO V-PRO			
Esterilizador	Ciclo estándar	Ciclo luminal	Ciclo no luminal
V-PRO 1	X	N/C	N/C
V-PRO 1 PLUS	N/C	X	X
V-PRO maX	N/C	X	X
V-PRO maX 2	N/C	X	X
Modelo de casete Summit		Modelo de recipiente Aesculap	
IN-8823		*JM444	
IN-6105		*JM742	
* Validado por Summit Medical para utilizarse ÚNICAMENTE en sistemas de esterilización a bajas temperaturas AMSCO V-PRO. Si se utiliza el recipiente Aesculap como barrera estéril, el peso de la carga (bandeja Summit y el contenido) no debe ser mayor que el indicado en las especificaciones del recipiente sobre peso o tipo de carga.			

Tamaños de luces del instrumental validado:			
Modelo de casete Summit	Diámetro interno mínimo	Longitud máxima	Cantidad de luces
IN-8823	3 mm	400 mm	2
IN-6105	3 mm	200 mm	1
IN-2681	1 mm	64 mm	1
Nota: La carga validada de peor caso según el cálculo de ventilación-volumen es la bandeja IN-2681.			

MODO DE EMPLEO (continuación)

VP4 Sterizone, envoltura y recipiente rígido Aesculap®

Los casetes (bandejas) de los sistemas de protección de instrumental InstruSafe® sirven para organizar y proteger otros dispositivos médicos que son esterilizados por un profesional sanitario. Los casetes del sistema de protección de instrumental InstruSafe están destinados a permitir la esterilización de los dispositivos médicos contenidos en su interior durante el ciclo de esterilización 1 de STERIZONE VP4. Los casetes del sistema de protección de instrumental InstruSafe están destinados a utilizarse en combinación con una envoltura o con un recipiente rígido Aesculap comercializados legalmente. Los casetes del sistema de protección de instrumental InstruSafe no están destinados a mantener la esterilidad por sí solos.

Summit Medical ha validado el uso de los casetes del sistema de protección de instrumental InstruSafe en el ciclo 1 del esterilizador STERIZONE VP4 mediante demostraciones de la eficacia de la esterilización utilizando muestras representativas de dispositivos médicos, incluyendo instrumentos generales, instrumentos rígidos y semirrígidos con luces y endoscopios flexibles. La validación proporcionó información que se ha utilizado para establecer los límites de diseño que se aplican a toda la gama de casetes del sistema de protección de instrumental InstruSafe para garantizar que todos los modelos se encuentran dentro de los límites validados para la ventilación del casete, la estantería interna y el peso:

- Relación mínima entre ventilación-volumen, instrumentos generales: 0,073
- Relación mínima entre ventilación-volumen, endoscopios flexibles: 0,263
- Número máximo de estantes internos: Dos (2)
- Peso máximo del casete (incluido el contenido): 25 libras/casete

Consulte la tabla siguiente para conocer las cargas validadas con los casetes del sistema de protección de instrumental InstruSafe. Consulte las instrucciones de uso del fabricante del esterilizador para asegurarse de que las cargas no superan los límites declarados para el esterilizador.

Descripción de las cargas del sistema de protección de instrumental InstruSafe.

Representante de la carga de validación del esterilizador STERIZONE® VP4 N.º (K190260)	Descripción de la carga de validación de Summit Medical	Peso total de la carga (excluye la plataforma de carga de 25 libras)
4	<p>Carga 4a: Consiste en el límite de carga de los instrumentos canalizados rígidos y semirrígidos:</p> <ul style="list-style-type: none"> • Se empaquetaron tres (3) endoscopios semirrígidos de doble canal (ureteroscopio - 0,7 mm × 500 mm y 1,1 mm × 500 mm), uno (1) por casete, en tres (3) casetes IN 7323-R . • Se añadieron más instrumentos de canal rígido para alcanzar un total de 15 canales. <p>Cada casete incluía soportes de silicona adecuados para los instrumentos y estaba envuelto.</p> <p>Carga 4b: Consiste en el límite de carga de los instrumentos canalizados rígidos y semirrígidos:</p> <ul style="list-style-type: none"> • Se empaquetaron tres (3) endoscopios semirrígidos de doble canal (ureteroscopio - 0,7 mm × 400 mm y 1,1 mm × 400 mm), uno (1) por casete en tres (3) casetes IN-0007-TF . • Se añadieron más instrumentos de canal rígido para alcanzar un total de 15 canales. <p>Cada casete incluía soportes de instrumentos de silicona adecuados y se colocaba en un recipiente rígido Aesculap JM440.</p>	<p>Carga 4a = 5 libras/casete, 15 libras en total</p> <p>Carga 4b = 11 libras/casete, 33 libras en total</p>
7	<p>Carga de validación de Summit Medical 7a: Consiste en el límite de peso de la carga para los instrumentos médicos generales que representan las siguientes geometrías:</p> <ul style="list-style-type: none"> • Bisagra Box-lock • Bisagra pivotante • Luer-lock <p>Los instrumentos médicos generales se distribuyeron en tres (3) casetes IN-7323-R con soportes de silicona adecuados, cada uno de los cuales pesaba 25 libras. Los casetes estaban envueltos.</p> <p>Carga de validación de Summit Medical 7b: Consiste en el límite de peso de la carga para los instrumentos médicos generales que representan las siguientes geometrías:</p> <ul style="list-style-type: none"> • Bisagra Box-lock • Bisagra pivotante • Luer-lock <p>Los instrumentos médicos generales se distribuyeron en tres (3) casetes IN-0006-TF con soportes de silicona adecuados. Los casetes se colocaron en contenedores Aesculap JM440, cada uno de los cuales pesa 25 libras.</p>	<p>Carga 7a = 25 libras/casete 75 libras en total</p> <p>Carga 7b = 25 libras/casete 75 libras en total</p>
8	<p>Carga de validación de Summit Medical 8a: Consiste en el límite de carga de cinco (5) canales de endoscopios flexibles totales en casetes envueltos:</p> <ul style="list-style-type: none"> • Se empaquetaron dos (2) endoscopios flexibles de doble canal (ureteroscopio - 1 mm × 850 mm y 1 mm × 989 mm), uno (1) por casete, en casetes IN-0003-R. • Se empaquetó un (1) endoscopio flexible monocanal (ureteroscopio - 1 mm × 850 mm) en un casete IN-0004-R. <p>Los casetes incluían soportes de silicona adecuados y estaban envueltos.</p> <p>Carga de validación de Summit Medical 8b: Consiste en el límite de carga de cuatro (4) canales de endoscopios flexibles totales en casetes empaquetados en recipientes rígidos:</p> <ul style="list-style-type: none"> • Se empaquetaron dos (2) endoscopios flexibles de doble canal (ureteroscopio - 1 mm × 850 mm y 1 mm × 989 mm), uno (1) por casete, en casetes IN-0003-TF con soportes de silicona adecuados. <p>Cada casete se colocó dentro de un recipiente Aesculap JM442.</p>	<p>Carga 8a = 4,3 libras/casete, 13 libras en total</p> <p>Carga 8b = 8,3 libras/casete, 25 libras en total</p>

ALMACENAMIENTO

Guarde los casetes terminalmente esterilizados, ya sea envueltos o colocados en recipientes, sobre una repisa de almacenamiento en posición horizontal. Consulte la información del fabricante de la envoltura o del recipiente para conocer su vida útil.

ELIMINACIÓN

En el caso de que los sistemas de protección de instrumental InstruSafe® no pasen la inspección antes de su uso o se haya considerado, de otra manera, que ya no cumplen su propósito, los dispositivos deberán ser eliminados según el protocolo local. El método de eliminación dependerá de los posibles riesgos de contaminación cruzada e infección cuando se identifique su necesidad de eliminación.

NOTIFICACIÓN DE INCIDENTE GRAVE

Cualquier incidente grave que se haya producido en relación con el equipo debe notificarse al fabricante y a la FDA o autoridad competente del Estado miembro en el cual el usuario o el paciente esté establecido.

GARANTÍA

GARANTÍA LIMITADA DEL SISTEMA DE PROTECCIÓN DE INSTRUMENTAL INSTRUSAFE DE SUMMIT MEDICAL

ESTA GARANTÍA LIMITADA Y LOS RECURSOS AQUÍ MENCIONADOS SON EXCLUSIVOS Y SUSTITUYEN A TODAS LAS DEMÁS GARANTÍAS EXPLÍCITAS Y, SALVO QUE EN EL PRESENTE DOCUMENTO SE AFIRME LO CONTRARIO, TODA DECLARACIÓN O REPRESENTACIÓN HECHA POR CUALQUIER OTRA PERSONA O ENTIDAD QUEDA SIN EFECTO. LA DURACIÓN DE TODA GARANTÍA IMPLÍCITA DE COMERCIALIZACIÓN O IDONEIDAD PARA UN FIN DETERMINADO SE LIMITARÁ A LA DURACIÓN DE LA GARANTÍA LIMITADA EXPLÍCITA. NI SUMMIT MEDICAL, INC. NI SUS FILIALES SE RESPONSABILIZARÁN DE NINGÚN PERJUICIO O PÉRDIDA FORTUITOS, CONSIGUIENTES O ESPECIALES QUE SE ORIGINEN DEL USO DEL SISTEMA INSTRUSAFE O LA IMPOSIBILIDAD DE UTILIZARLO, YA SEA POR INCUMPLIMIENTO DE LA GARANTÍA U OTRA TEORÍA LEGAL.

Esta garantía limitada le otorga derechos legales específicos, y usted podría tener otros derechos que varían según el estado. Algunos estados no permiten limitar la duración de una garantía implícita, o no permiten excluir ni limitar los daños fortuitos o consiguientes, de manera que es posible que la limitación o las exclusiones antes mencionadas no se apliquen en su caso.

Alcance de la cobertura. Summit Medical garantiza al comprador original que el sistema InstruSafe adjunto a esta garantía limitada satisfará las especificaciones del fabricante y estará exento de defectos de material o mano de obra durante un período de 12 meses a partir de la fecha de la compra original. Esta garantía limitada no será ejecutable por parte de terceros a quienes el comprador original haya transferido el sistema InstruSafe.

Cómo solucionaremos las incidencias. En caso de que el sistema InstruSafe presente defectos durante este período, notifíquelo a Summit Medical o a un distribuidor o concesionario autorizado de Summit Medical. Usted deberá permitir que Summit Medical, Inc. o sus representantes realicen las investigaciones, exámenes o pruebas que Summit Medical, Inc. considere pertinentes y, en caso de que así se lo soliciten, enviar el producto a la fábrica a la dirección abajo mencionada. La única obligación de Summit Medical, Inc. según esta garantía limitada será la de reparar o sustituir, a su criterio, los productos defectuosos, sin cobrar por componentes o mano de obra. Usted correrá con los costes de franqueo, seguro o envío en que incurra al enviar el producto del sistema InstruSafe para obtener servicio bajo garantía.

Exclusiones. Esta garantía limitada está supeditada al correcto uso y mantenimiento del producto. No se aplicará a productos que hayan sido objeto de procedimientos incorrectos de envío, mantenimiento, limpieza o almacenamiento, uso indebido, maltrato, descuido o maniobras de reparación o mantenimiento fuera de Summit Medical o de un distribuidor o concesionario autorizado de Summit Medical, o que hayan sido modificados sin la aprobación explícita de Summit Medical. El incumplimiento de las instrucciones del manual del propietario podría equivaler a un uso o mantenimiento incorrectos del producto y provocar la anulación de esta garantía limitada. Esta garantía no se aplica al desgaste normal ni a los recambios.

En caso de preguntas o reclamaciones en relación con esta garantía, comuníquese con:

Departamento de atención al cliente

Summit Medical

815 Vikings Parkway, Suite 100

St. Paul, MN 55121 | EE. UU.

www.instrusafe.com

TELÉFONO: 651-789-3939 | 888-229-2875

FAX: 651-789-3979 | 888-229-1941

Correo electrónico: customerservice@innoviamedical.com

As instruções fornecidas foram validadas pelo fabricante do dispositivo como sendo capazes de reprocessar dispositivos médicos reutilizáveis.

Esterilizadores individuais, limpeza de instrumentos, carregamento específico de bandejas, tipos e geometria de instrumentos, recipientes de esterilização, filtros e embalagens variam em cada local.

LEIA ESTA SEÇÃO ANTES DE COLOCAR O PRODUTO EM OPERAÇÃO

RESUMO DO USO/INDICAÇÕES DE USO PRETENDIDO

Os cassetes/bandejas dos Sistemas de Proteção de Instrumentos InstruSafe® se destinam a conter e proteger dispositivos médicos reutilizáveis durante o transporte, esterilização e armazenamento. Os estojos/bandejas do Sistema de Proteção de Instrumentos InstruSafe® são usados para organizar e proteger outros dispositivos médicos que são esterilizados por um profissional de saúde. Os cassetes/bandejas do Sistema de Proteção de Instrumentos InstruSafe se destinam a permitir a esterilização dos dispositivos médicos incluídos durante estes ciclos de esterilização:

- Vapor pré-vácuo (ISO 17665-1 e EN 285)
- Óxido de etileno (ISO 11135)
- Esterilização em Baixa Temperatura Validada, (ISO 14937), ou seja,
 - STERRAD® 100S Standard (curto)
 - STERIS® AMSCO® V-PRO 1®, V-PRO 1 Plus, V-PRO maX and V-PRO maX 2
 - STERRAD® 100NX® Express, Standard, and Flex
 - Sterizone® VP4
 - STERRAD® NX® Standard

Os estojos/bandejas do Sistema de Proteção de Instrumentos InstruSafe não se destinam apenas a manter a esterilidade. Os cassetes/bandejas do Sistema de Proteção de Instrumentos InstruSafe devem ser usados em conjunto com um invólucro comercializado legalmente, recipientes rígidos Aesculap® ou recipientes rígidos Genesis™.

Os Recipientes de Esterilização InstruSafe foram validados para uso com estojos/bandejas do Sistema de Proteção de Instrumentos InstruSafe (pré-vácuo, 270°F (132°C), ciclo de esterilização a vapor de 4 minutos somente) sob 510(k) K180528. Consulte as instruções de uso do Recipiente de Esterilização InstruSafe® para obter mais informações.

Uma lista completa de modelos de dispositivos é fornecida no Apêndice A, que pode ser visualizado em www.instrusafe.com/ifus.

DESCRIÇÃO DO DISPOSITIVO

Os Sistemas de Proteção de Instrumentos InstruSafe da Summit Medical são estojos/bandejas usados para colocar e segurar instrumentos cirúrgicos e acessórios para instrumentos de maneira organizada durante o processo de esterilização e subsequente armazenamento e transporte. Os estojos/bandejas não têm contato direto com o paciente. Os estojos/bandejas por si só não mantêm a esterilidade. Os estojos/bandejas são de tamanhos diferentes da mesma configuração básica: uma base retangular com tampa travável. Os estojos/bandejas têm perfurações para permitir a penetração do esterilizador. Os estojos/bandejas contêm insertos de silicone na base e/ou tampa para segurar, organizar e proteger os instrumentos cirúrgicos dentro do estojo/bandeja durante o processo de esterilização e subsequente armazenamento e transporte.

USUÁRIO PRETENDIDO

Os Sistemas de Proteção de Instrumentos InstruSafe® se destinam a ser utilizados por profissionais de saúde na sala de operações e no departamento de processamento estéril para o transporte, esterilização e armazenamento de dispositivos médicos.

LIMITAÇÃO NO PROCESSAMENTO

1. O fim da vida útil do Sistema de Proteção de Instrumentos InstruSafe é de, no mínimo, 25 ciclos de esterilização. Antes de usar, inspecione a bandeja quanto a desgaste e danos causados pelo uso. Interrompa o uso se houver sinais visíveis de desgaste, incluindo corrosão, falhas mecânicas, rachaduras, descamação, descascamento, soldas quebradas, pés danificados, travas danificadas, sistema Hold-Its®/Hold-Downs danificado, descoloração, etc.
2. Consulte a **Tabela 2** para obter os métodos e configurações de esterilização.
3. **NÃO SOBRECARREGUE** os Sistemas InstruSafe ou seus componentes.
4. **NÃO SOBRECARREGUE** as ranhuras Hold-Its individuais. Coloque apenas um instrumento por ranhura Hold-Its®.
5. Para usuários de recipientes rígidos, **NÃO ENVOLVA** os Sistemas InstruSafe ou componentes e os coloque dentro do recipiente para esterilização.
6. Dentro dos esterilizadores, **NÃO EMPILHE** Sistemas InstruSafe ou componentes individualmente embalados ou em recipientes. Separe os Sistemas InstruSafe ou componentes embalados ou em recipientes uns dos outros ou de qualquer outro item em prateleiras separadas do esterilizador para permitir o fluxo máximo de esterilizador.
7. O uso de revestimentos de bandeja não absorventes (por exemplo, tapete organizador com dedos de silicone) pode causar a condensação. Se houver umidade visível, re-esterilize com um tempo de secagem maior.
8. O peso total do sistema de recipiente (por exemplo, recipiente, bandeja e carga de instrumentos) não deve exceder 25 libras (11,34 kg).
9. Os instrumentos (por exemplo, endoscópios e instrumentos com lúmens ou canais) devem ser preparados e esterilizados de acordo com as instruções do fabricante do instrumento.
10. É responsabilidade do processador manter validações específicas para o processo de esterilização terminal que está sendo aplicado nas configurações dos instrumentos e recipientes que estão sendo apresentados ao processo de esterilização.
11. Consulte as instruções de uso do fabricante do esterilizador para tomar conhecimento das limitações adicionais (por exemplo, restrições dimensionais ou de peso).

ADVERTÊNCIAS

- Para os Sistemas InstruSafe de alumínio, use apenas detergentes de pH neutro (6,0 - 8,5) para evitar danificar o acabamento. Um detergente com um pH altamente ácido ou altamente alcalino pode danificar permanentemente o acabamento em alumínio anodizado do estojo e dos componentes metálicos.
- Não utilize se a embalagem estiver danificada ou aberta involuntariamente antes da utilização.

Observação: Limpe e inspecione os estojos de acordo com as instruções fornecidas antes de colocar em serviço.

PRECAUÇÕES UNIVERSAIS

- O pessoal deve usar todas as roupas e equipamentos de proteção individual, conforme exigido pelos procedimentos operacionais de seu empregador/departamento para o nível de contaminação a que será exposto.
- Mantenha metais diferentes separados durante a esterilização para evitar corrosão.

PONTO DE USO

Remova a sujeira com um pano/papel descartável. Os componentes contaminados devem ser mantidos úmidos até que processos de limpeza qualificados possam ser aplicados.

LIMPEZA

Consulte as instruções de utilização do fabricante do instrumento para instruções específicas para limpar os instrumentos nos cassetes.

É recomendado usar uma das seguintes opções validadas para limpar o cassete/bandeja.

Use apenas soluções de pH neutro (6,0 - 8,5) sem carbonato de sódio para evitar danos ao acabamento dos estojos de alumínio.

NÃO use esfregões ou produtos de limpeza abrasivos. **NÃO** guarde a estojo em líquido.

1. Descontaminação bruta manual:

- Materiais necessários: Detergente enzimático de pH neutro (6,0 - 8,5), escova de cerdas macias e água corrente.
- Remova toda a sujeira visível e contaminante usando uma escova de cerdas macias. Todo o estojo deve ser imerso durante a limpeza, para ajudar na remoção de contaminantes e para reduzir salpicos de detergente no pessoal, por um período mínimo de 2 minutos.
- Enxágue bem por, no mínimo, 2 minutos com água fria da torneira.

2. Limpeza ultrassônica:

- Prepare a lavagem enzimática em uma unidade de limpeza ultrassônica.
- Coloque um único estojo no detergente e deixe agir por um período mínimo de dez minutos.
- Enxágue por, no mínimo, 2 minutos com água fria da torneira.
- Inspeccione visualmente o estojo quanto a contaminantes. Repita o ciclo, se necessário, para remover a contaminação visível.

3. Lavagem automatizada:

Os Sistemas de Proteção de Instrumentos InstruSafe foram validados para o ciclo do sistema de lavagem automático listado na **Tabela 1**. A qualificação de parâmetros específicos terá de ser conduzida pelo processador.

Tabela 1

CICLO	TEMPERATURA DA ÁGUA	PROCESSO DE LIMPEZA
Pré-lavagem 1 e 2	Água fria da torneira	Tempo de recirculação: 2 minutos
Lavagem enzimática	Água quente da torneira	Tempo de imersão: 4 minutos
Lavagem 1	Aquecido a 150°F (65,5°C)	Tempo de recirculação: 15 minutos
Enxágue 1 e 2	Água quente da torneira	Tempo de recirculação: 5 minutos

Observação: Após a conclusão de um ciclo de lavagem automática, inspeccione visualmente o Sistema InstruSafe (estojo e acessórios) quanto a qualquer sujeira visível restante. Todo o sujeira visível deve ser removido com limpeza manual, escovação, ultrassom ou ciclos automáticos adicionais antes do envio para a esterilização.

DESINFECÇÃO

Os Sistemas InstruSafe devem ser esterilizados terminalmente.

MANUTENÇÃO, INSPEÇÃO E TESTE

Os Sistemas InstruSafe podem ser reutilizados até ocorrer deterioração inaceitável, como corrosão, rachaduras, ferrugem, descamação, descascamento, descoloração ou falha mecânica.

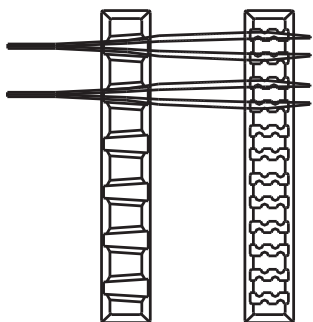
Os sinais de falha mecânica incluem:

- Cantos ou soldas quebradas ou rachadas
- Travas quebradas ou que não funcionam
- Insertos de silicone ausentes, rasgadas ou cortadas
- Pés ausentes ou danificados

MONTAGEM

1. Coloque os instrumentos nos suportes predeterminados ou na área definida pelos pinos de localização, para que todas as superfícies do instrumento sejam expostas ao esterilizante. Consulte a **Figura A**. Certifique-se de que apenas um instrumento esteja em cada ranhura. Quando possível, desmonte ou abra todas as partes da instrumentação de acordo com as instruções do fabricante do instrumento. **NÃO sobrecarregue os suportes ou exceda os limites de peso dos estojos. Veja o Apêndice A.**

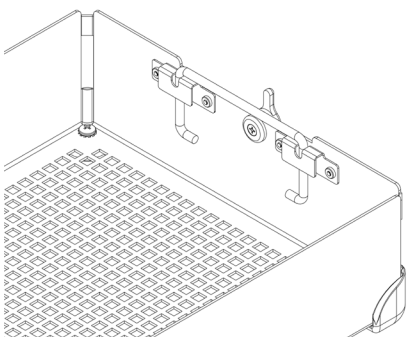
Figura A.



Observação: Os instrumentos (por exemplo, endoscópios e instrumentos com lúmens ou canais) devem ser preparados e esterilizados de acordo com as instruções de uso do fabricante do instrumento.

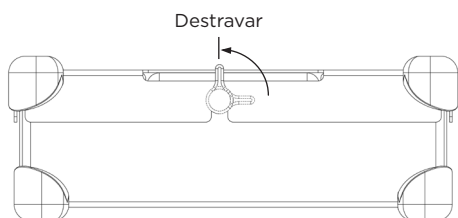
2. Verifique se as alças estão posicionadas dentro do estojo (posição retraída). Mostrado na **Figura B**.

Figura B.



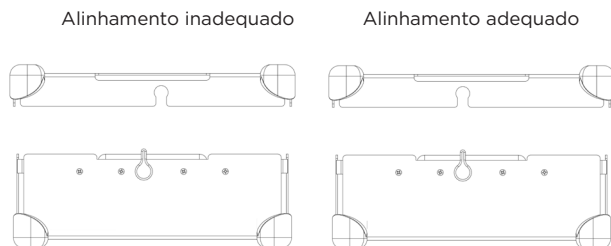
3. Coloque a tampa do estojo na base do estojo, certificando-se de que as travas estejam posicionadas corretamente com a ranhura da trava na tampa e feche as travas. Veja a **Figura C**.

Figura C.



Observação: As travas são deslocadas para que a tampa do estojo sempre se alinhe adequadamente à base. Isso garante que os suportes estejam alinhados quando a tampa estiver presa. Veja a **Figura D** para conhecer o alinhamento adequado. **NÃO force a tampa do estojo na base do estojo, pois isso pode danificar os instrumentos e o estojo.**

Figura D.



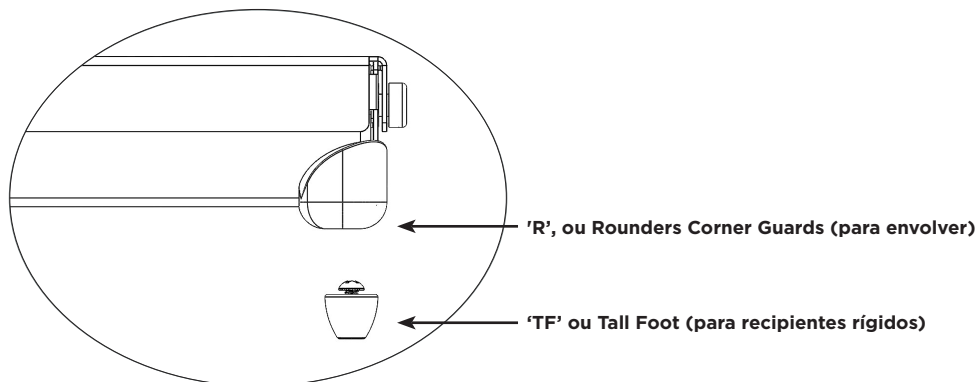
EMBALAGEM

Os Sistemas InstruSafe podem ser embalados com um invólucro comercializado legalmente ou colocado em um recipiente rígido comercializado legalmente. Consulte as declarações de Indicações de Uso encontradas nas instruções de uso.

Usando com invólucro:

1. Antes de envolver o estojo, verifique se ele possui o modelo de pé adequado. R deve ser usado com o invólucro. Veja a **Figura F**.

Figura F.



2. Embrulhe o estojo usando o envoltório legalmente comercializado de acordo com as instruções do fabricante do envoltório.
3. Esterilize a embalagem usando um dos ciclos de esterilização listados nas instruções de uso.

Usando com recipiente rígido:

Consulte as declarações de Indicações de Uso encontradas nas instruções de uso.

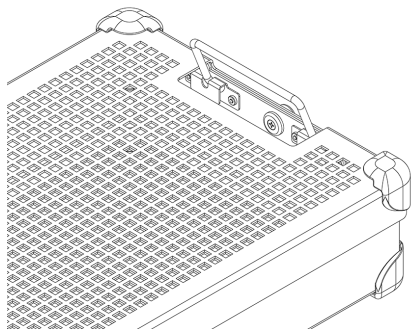
1. Antes de colocar o estojo em um recipiente rígido, verifique se ele possui o modelo de pé adequado. TF deve ser usado com um recipiente rígido. Veja a **Figura F**.
2. Coloque o estojo no recipiente rígido. Siga as instruções do fabricante do recipiente para selar o recipiente.
Observação: Não envolva os estojos antes de colocá-los no recipiente para esterilização.
3. Esterilize o recipiente e o conteúdo usando um dos ciclos de esterilização listados nas instruções de uso.

Informações adicionais:

Para remover o estojo de um recipiente rígido assepticamente, siga as instruções de uso do fabricante do recipiente.

1. Com as mãos enluvadas, coloque as palmas das mãos para o lado de fora e passe pelas aberturas da tampa do estojo.
2. Segure as alças do estojo e levante-as na posição levantada. Veja a **Figura G**.

Figura G.



3. Incline as alças para dentro, afastando-as das laterais do recipiente rígido e levante o estojo para fora do recipiente, tomando cuidado para não tocar na parte superior ou externa do recipiente.
4. Coloque o estojo em uma superfície esterilizada.

ESTERILIZAÇÃO

Consulte a **Tabela 2** para conhecer os parâmetros típicos de esterilização que foram qualificados para a esterilização dos Sistemas InstruSafe.

Tabela 2.

MÉTODO DE ESTERILIZAÇÃO	CICLO (vezes)
Vapor pré-vácuo	Parâmetro: Temperatura 270°F (132°C) Tempo de exposição 4 minutos Tempo de secagem 30 minutos
Óxido de etileno (OE)	Pré-condicionamento: Temperatura 131°F (55°C) Umidade relativa 70 ± 15% Tempo de pré-condicionamento 1 hora Esterilização: Tempo de exposição 120 minutos Temperatura 131°F (55°C) Tempo de aeração 12 horas
STERRAD 100S	<i>Standard</i>
STERRAD 100NX	<i>Padrão, Expresso, Flexível</i>
STERRAD NX	<i>Standard</i>
STERIS AMSCO V-PRO 1	<i>Standard</i>
STERIS AMSCO V-PRO 1 PLUS	<i>Lúmen, não lúmen</i>
STERIS AMSCO V-PRO maX	<i>Lúmen, não lúmen</i>
STERIS AMSCO V-PRO maX 2	<i>Lúmen, não lúmen</i>
Sterizone VP4	<i>Ciclo 1</i>

A Summit Medical validou os seguintes métodos de esterilização:

- O ciclo de esterilização em autoclave de 4 minutos em embalagens legalmente comercializada, recipiente de esterilização InstruSafe, recipiente rígido Aesculap ou recipiente rígido Genesis aprovado pelo FDA. Sob a condição do K180528, o Recipiente de Esterilização InstruSafe foi validado para uso com os estojos/bandejas do Sistema de Proteção de Instrumentos InstruSafe.
- O ciclo de esterilização por óxido de etileno (OE) em invólucro legalmente comercializada ou em um recipiente esterilizado Genesis aprovado pelo FDA.
- O ciclo de esterilização STERRAD 100S Standard em invólucro legalmente comercializada ou um recipiente rígido Aesculap liberado pelo FDA.
- O ciclo de esterilização STERRAD 100NX Standard em invólucro legalmente comercializada ou um recipiente rígido Aesculap liberado pelo FDA.
- O ciclo de esterilização do STERRAD 100NX Express em invólucro comercializado legalmente liberado pela FDA.
- O ciclo de esterilização STERRAD 100NX Flex em invólucro legalmente comercializada ou um recipiente rígido Aesculap liberado pelo FDA.
- O ciclo de esterilização do STERRAD NX Standard em invólucro comercializado legalmente e em um recipiente rígido Aesculap liberado pela FDA.
- Os ciclos de esterilização STERIS AMSCO V-PRO 1, V-PRO 1 PLUS, V-PRO maX e V-PRO maX 2 em invólucros comercializadas legalmente ou em um recipiente rígido Aesculap liberado pelo FDA.
- O ciclo de esterilização Sterizone VP4 em invólucros legalmente comercializada ou um recipiente rígido Aesculap liberado pelo FDA

NÃO exceda a capacidade de carga do recipiente estéril conforme especificado pelo fabricante.

Use um acessório aprovado pela FDA para manter a esterilidade.

Consulte o manual de instruções do esterilizador para garantir que as cargas pretendidas sejam compatíveis com o ciclo de esterilização pretendido.

Consulte as instruções de utilização do recipiente para garantir que a carga pretendida seja compatível com as cargas liberadas pela FDA para o recipiente.

INDICAÇÕES DE USO

Recipiente rígido de vapor de 4 minutos, invólucro e Aesculap®

Os estojos do sistema de proteção de instrumentos InstruSafe® são usados para organizar e proteger outros dispositivos médicos que são esterilizados por um profissional de saúde. Os estojos do Sistema de Proteção de Instrumentos InstruSafe se destinam a permitir a esterilização dos dispositivos médicos incluídos durante um ciclo de esterilização a vapor pré-vácuo. Os estojos do Sistema de Proteção de Instrumentos InstruSafe se destinam a ser usados em conjunto com um invólucro comercializado legalmente ou um recipiente rígido Aesculap. Os estojos do Sistema de Proteção de Instrumentos InstruSafe não se destinam sozinhos a manter a esterilidade.

Parâmetro de esterilização de autoclave	
Ciclo	Pré-vácuo
Temperatura	270°F (132°C)
Tempo de exposição	4 minutos
Tempo mínimo de secagem	30 minutos
Modelo de estojo da Summit	Modelo de recipiente Aesculap
IN-8823-AE	*JN444
IN-2880	*JK444
IN-6105	*JN742
*Validado pela Summit Medical para uso em esterilizadores a vapor pré-vácuo operando SOMENTE a 270°F (132°C) por quatro minutos de tempo de exposição. Consulte as instruções do recipiente para garantir que o conteúdo não exceda a carga pretendidas do recipiente de esterilização.	

Requisitos de lúmen para o cilindro de esterilização a vapor pré-vácuo de 4 minutos			
Modelo de estojo da Summit	Diâmetro interno mínimo	Comprimento máximo	Número de lúmens
IN-8823-CF	3mm	400mm	4
IN-8823-CF	3mm	200mm	2
IN-2880	1mm	76mm	2
IN-2880	3mm	177mm	1
IN-6105	5mm	241mm	1
IN-2681	1mm	65mm	1
IN-2681	3mm	200mm	1
IN-7823	1mm	400mm	17

Vapor de 4 minutos, recipiente rígido Genesis™

Os estojos do Sistema de proteção de instrumentos InstruSafe® são usados para organizar e proteger outros dispositivos médicos que são esterilizados por um profissional de saúde. Os estojos do Sistema de Proteção de Instrumentos InstruSafe se destinam a permitir a esterilização dos dispositivos médicos incluídos durante um ciclo de esterilização a vapor pré-vácuo. Os estojos do Sistema de Proteção de Instrumentos InstruSafe se destinam a ser usados em conjunto com recipientes rígidos Genesis comercializados legalmente.

Os estojos do Sistema de Proteção de Instrumentos InstruSafe não se destinam sozinhos a manter a esterilidade. Uma lista completa dos modelos de dispositivos é fornecida no Apêndice A.

Requisitos de lúmen para o cilindro de esterilização a vapor pré-vácuo de 4 minutos			
Modelo de estojo da Summit	Diâmetro interno mínimo	Comprimento máximo	Número de lúmens
IN-2681	1mm	65mm	1
IN-2681	3mm	200mm	1
IN-6105	5mm	241mm	1
IN-0000	1mm	400mm	5
	3mm	400mm	1
	5mm	400mm	1

INDICAÇÕES DE USO (continuação)

Vapor de 8 minutos e óxido de etileno (OE), invólucro e recipiente rígido Genesis™

Os estojos do Sistema de Proteção de Instrumentos InstruSafe® são usados para organizar e proteger outros dispositivos médicos que são esterilizados por um profissional de saúde. Os estojos do Sistema InstruSafe se destinam a permitir a esterilização dos dispositivos médicos incluídos durante os ciclos de esterilização por vapor pré-vácuo ou óxido de etileno. Os estojos do Sistema InstruSafe destinam-se ao uso em conjunto com o invólucro legalmente comercializado ou com um recipiente rígido Genesis. Os estojos do Sistema InstruSafe não se destinam a manter a esterilidade sozinhos.

Métodos e configurações de esterilização

Pré-condicionamento de vapor de 8 minutos a 132°C	
Invólucro de tecido 140 fios	10 minutos de tempo de secagem
Invólucro não de tecido (Kimberly Clark)	50 minutos de tempo de secagem
Recipiente Genesis (consulte a Tabela 1 para conhecer o papel de filtro a ser usado)	30 minutos de tempo de secagem
Recipiente Genesis	Papel de filtro do recipiente Genesis
CD2-4B	FX3-1: 9x9"
CD2-5B	FX3-1: 9x9"
CD3-4B	FX3-1: 9x9"
CD3-5B	FX3-1: 9x9"
CD3-6B	FX3-1: 9x9"
CD3-7B	FX3-1: 9x9"
CD4-5B	FO3-2: 9x6"
CD5-61B	FO3-2: 9x6"
CD6-6B	FX3-1: 9x9"

Óxido de etileno (OE)
<ul style="list-style-type: none">1 hora de pré-condicionamento a 131°F (55°C) com umidade relativa de 70 ± 15%2 horas de exposição a 131°F (55°C)12 horas de aeração

Consulte as instruções de operação do usuário do sistema de recipiente de esterilizador V. Mueller Genesis ao usar qualquer recipiente rígido Genesis.

STERRAD® 100S e STERRAD® 100NX® Standard - Ciclos, invólucro e recipiente rígido Aesculap®

Os estojos do Sistema de Proteção de Instrumentos InstruSafe® são usados para organizar e proteger outros dispositivos médicos que são esterilizados por um profissional de saúde. Os estojos do Sistema de Proteção de Instrumentos InstruSafe se destinam a permitir a esterilização dos dispositivos médicos incluídos durante os ciclos de esterilização do Sterrad 100S Standard e Sterrad 100NX Standard. Os estojos do Sistema de Proteção de Instrumentos InstruSafe se destinam a ser usados em conjunto com um invólucro comercializado legalmente ou um recipiente rígido Aesculap. Os estojos do Sistema de Proteção de Instrumentos InstruSafe não se destinam sozinhos a manter a esterilidade. Uma lista completa dos modelos de dispositivos é fornecida no Apêndice A.

As seguintes bandejas de esterilização foram validadas com os recipientes rígidos correspondentes:

Ciclo do STERRAD 100S Standard	
Modelo de estojo da Summit	Modelo de recipiente Aesculap
IN-8823-AE	*JM444
IN-6105	*JM440

Ciclo do STERRAD 100NX Standard	
Modelo de estojo da Summit	Modelo de recipiente Aesculap
IN-8823-AE	*JM444
IN-6105	*JM440

*Validado pela Summit Medical para uso somente no ciclo do STERRAD 100S Standard e no ciclo do STERRAD 100NX Standard. Consulte as instruções do recipiente para garantir que o conteúdo não exceda a carga pretendidas do recipiente de esterilização.

Requisitos de lúmen para os ciclos do STERRAD 100S Standard e STERRAD 100NX Standard	
4 lúmens de aço inoxidável com 3mm de diâmetro interno x 400mm de comprimento	Todos os modelos de tamanho apropriado estão listados no Apêndice A com a exceção do IN-2681.
2 lúmens de aço inoxidável com 3mm de diâmetro interno x 200mm de comprimento	
1 lúmen de aço inoxidável com 3mm de diâmetro interno x 200mm de comprimento	IN-2681
1 lúmen de aço inoxidável com 1mm de diâmetro interno x 65mm de comprimento	

INDICAÇÕES DE USO (continuação)

STERRAD® NX® Standard - Ciclos, invólucro e recipiente rígido Aesculap®

Os estojos do sistema de proteção de instrumentos InstruSafe® são usados para organizar e proteger outros dispositivos médicos que são esterilizados por um profissional de saúde. Os estojos do Sistema de Proteção de Instrumentos InstruSafe se destinam a permitir a esterilização dos dispositivos médicos incluídos durante um ciclo de esterilização do Sterrad NX Standard. Os estojos do Sistema de Proteção de Instrumentos InstruSafe se destinam a ser usados em conjunto com um invólucro comercializado legalmente ou um recipiente rígido Aesculap. Os estojos do Sistema de Proteção de Instrumentos InstruSafe não se destinam sozinhos a manter a esterilidade. Uma lista completa dos modelos de dispositivos é fornecida no Apêndice A.

Métodos e configurações de esterilização

- Ciclo de esterilização do Sterrad NX Standard

Requisitos de lúmen para o ciclo de esterilização do STERRAD NX Standard			
Modelo de estojo da Summit	Diâmetro interno mínimo	Comprimento máximo	Número de lúmens
IN-2681	1mm	65mm	1
IN-2681	3mm	200mm	1
IN-8987-S	1mm	500mm	5
IN-8615	2,3mm	210mm	5
IN-6105	4mm	235mm	1

Observação: O pior caso de carga validada com base no cálculo de ventilação para volume é a bandeja IN-2681.

Ciclo e invólucro do STERRAD® 100NX® Express

Os estojos do sistema de proteção de instrumentos da InstruSafe® são usados para organizar e proteger outros dispositivos médicos que são esterilizados por um profissional de saúde. Os estojos do Sistema de Proteção de Instrumentos InstruSafe se destinam a permitir a esterilização dos dispositivos médicos incluídos durante um ciclo do Sterrad® 100NX Express. Os estojos do Sistema de Proteção de Instrumentos InstruSafe se destinam a ser usados em conjunto com um invólucro comercializado legalmente. Os estojos do Sistema de Proteção de Instrumentos InstruSafe não se destinam sozinhos a manter a esterilidade. O Sistema de Proteção de Instrumentos InstruSafe não possui requisitos de lúmen para o ciclo do Sterrad 100NX Express.

Ciclo de esterilização, invólucro e recipiente rígido Aesculap® do STERRAD® 100NX® Flex

Os estojos do sistema de proteção de instrumentos InstruSafe® são usados para organizar e proteger outros dispositivos médicos que são esterilizados por um profissional de saúde. Os estojos do Sistema de Proteção de Instrumentos InstruSafe se destinam a permitir a esterilização dos dispositivos médicos incluídos durante um ciclo de esterilização do Sterrad 100NX Flex. Os estojos do Sistema de Proteção de Instrumentos InstruSafe se destinam a ser usados em conjunto com um invólucro comercializado legalmente ou um recipiente rígido Aesculap. Os estojos do Sistema de Proteção de Instrumentos InstruSafe não se destinam sozinhos a manter a esterilidade. Uma lista completa dos modelos de dispositivos é fornecida no Apêndice A.

Ciclo de esterilização do STERRAD 100NX Flex	
Modelo de estojo da Summit	Modelo de recipiente Aesculap
IN-0000	*JM440
IN-6105	*JM440

*Validado pela Summit Medical para uso somente no ciclo de esterilização do STERRAD 100NX Flex. Consulte as instruções do recipiente para garantir que o conteúdo não exceda a carga pretendidas do recipiente de esterilização.

Requisitos de lúmen para o ciclo de esterilização do STERRAD 100NX Flex				
Modelo de estojo da Summit	Diâmetro interno mínimo	Comprimento máximo	Número de lúmens	Invólucro/ recipiente rígido
IN-0000	1mm	850mm	1	Invólucro + recipiente rígido
IN-8823	1mm	850mm	1	Invólucro + recipiente rígido
IN-7344	1mm	850mm	1	Invólucro
IN-6105	4mm	235mm	1	Invólucro + recipiente rígido

O pior caso de carga validada com base no cálculo de ventilação para volume é a bandeja IN-0000.

Observação: A bandeja do IN-0000 é apenas para fins de teste.

INDICAÇÕES DE USO (continuação)

Ciclos de esterilização de baixa temperatura, invólucro de recipiente rígido Aesculap® do AMSCO® V-PRO®

Os estojos do Sistema de Proteção de Instrumentos InstruSafe® são usados para organizar e proteger outros dispositivos médicos que são esterilizados por um profissional de saúde. Os estojos do Sistema de Proteção de Instrumentos InstruSafe se destinam a permitir a esterilização dos dispositivos médicos incluídos durante os ciclos de esterilização de baixa temperatura do Amsco V-PRO. Os cassetes do Sistema de Proteção de Instrumentos InstruSafe se destinam a ser usados em conjunto com um invólucro comercializado legalmente ou um recipiente rígido Aesculap. Os estojos do Sistema de Proteção de Instrumentos InstruSafe não se destinam sozinhos a manter a esterilidade. Uma lista completa dos modelos de dispositivos é fornecida no Apêndice A.

Sistemas de esterilização de baixa temperatura do AMSCO V-PRO			
Esterilizador	Ciclo do Standard	Ciclo com lúmen	Ciclo sem lúmen
V-PRO 1	X	N/D	N/D
V-PRO 1 PLUS	N/D	X	X
V-PRO maX	N/D	X	X
V-PRO maX 2	N/D	X	X
Modelo de estojo da Summit		Modelo de recipiente Aesculap	
IN-8823		*JM444	
IN-6105		*JM742	
<i>*Validado pela Summit Medical para uso APENAS nos sistemas de esterilização de baixa temperatura do AMSCO V-PRO. Ao usar o recipiente Aesculap como barreira estéril, a carga (bandeja e conteúdo da Summit) não deve exceder as reivindicações de carga para o recipiente, peso ou tipo de carga.</i>			

O tamanho do lúmen da instrumentação validada inclui:			
Modelo de estojo da Summit	Diâmetro interno mínimo	Comprimento máximo	Número de lúmens
IN-8823	3mm	400mm	2
IN-6105	3mm	200mm	1
IN-2681	1mm	64mm	1
Observação: O pior caso de carga validada com base no cálculo de ventilação para volume é a bandeja IN-2681.			

INDICAÇÕES DE USO (continuação)

Recipiente rígido, VP4, invólucro e Aesculap®

Os estojos (bandejas) do Sistema de Proteção de Instrumentos InstruSafe® são usados para organizar e proteger outros dispositivos médicos que são esterilizados por um profissional de saúde. Os estojos do Sistema de Proteção de Instrumento InstruSafe destinam-se a permitir a esterilização dos dispositivos médicos incluídos durante o Ciclo 1 de esterilização do STERIZONE VP4. Os cassetes do Sistema de Proteção de Instrumentos InstruSafe se destinam a ser usados em conjunto com um invólucro comercializado legalmente ou um recipiente rígido Aesculap. Os estojos do Sistema de Proteção de Instrumentos InstruSafe não se destinam sozinhos a manter a esterilidade.

A Summit Medical validou o uso dos estojos do Sistema de Proteção de Instrumentos InstruSafe no Ciclo 1 do esterilizador STERIZONE VP4 por meio da demonstrações de eficácia de esterilização usando amostras representativas de dispositivos médicos, incluindo instrumentos gerais, instrumentos rígidos e semi-rígidos com lúmens e endoscópios flexíveis. A validação forneceu informações que foram usadas para estabelecer limites de projeto que são aplicados em toda a gama de estojos do Sistema de Proteção de Instrumentos InstruSafe para garantir que todos os modelos estejam dentro dos limites validados para ventilação do estojo, prateleiras internas e peso:

- Relação ventilação-volume mínima, instrumentos gerais: 0,073
- Relação ventilação-volume mínima, endoscópios flexíveis: 0,263
- Número máximo de prateleiras internas: Dois (2)
- Peso máximo do estojo (incluindo conteúdo): 25 libras/estajo

Consulte a tabela abaixo para as cargas validadas usando os estojos de Sistemas de Proteção do Instrumento InstruSafe. Consulte as instruções de uso do fabricante do esterilizador para garantir que as cargas não excedam os limites reivindicados para o esterilizador.

Descrição das cargas do sistema de proteção do instrumento InstruSafe.

Representante da Carga de Validação do Esterilizador STERIZONE® VP4 No. (K190260)	Descrição da carga de validação médica do Summit	Peso total da carga (exclui o rack de carregamento de 25 libras)
4	<p>Carga 4a: Consistia no limite de carga para instrumentos canalizados rígidos e semi-rígidos:</p> <ul style="list-style-type: none"> • Três (3) endoscópios semi-rígidos de canal duplo (ureteroscópio – 0,7mm x 500mm e 1,1mm x 500mm) foram embalados, um (1) por cassete, em três (3) em estojos IN 7323-R. • Instrumentos de canal rígido adicionais foram adicionados para atingir um total de 15 canais. <p>Cada estojo incluía suportes de instrumentos de silicone apropriados e era embrulhado.</p> <p>Carga 4b: Consistia no limite de carga para instrumentos canalizados rígidos e semi-rígidos:</p> <ul style="list-style-type: none"> • Três (3) endoscópios semirrígidos de canal duplo(ureteroscópio – 0,7mm x 400mm e 1,1mm x 400mm) foram embalados, um (1) por cassete, em três (3) estojos IN-0007-TF . • Instrumentos rígidos de canalização adicionais foram adicionados para atingir um total de 15 canais. <p>Cada estojo incluía suportes de instrumentos de silicone apropriados e foi colocado em um recipiente rígido Aesculap JM440.</p>	<p>Carga 4a = 5 libras/estajo, 15 libras total</p> <p>Carga 4b = 11 libras/estajo, 33 libras total</p>
7	<p>Carga de Validação Médica do Summit 7a: Consistia no limite de peso da carga para instrumentos médicos gerais representando as seguintes geometrias:</p> <ul style="list-style-type: none"> • Dobradiça com trava de caixa • Dobradiça pivotante • Luer-lock <p>Instrumentos médicos gerais foram distribuídos em três(3) estojos IN-7323-R com suportes de silicone apropriados, cada um pesando 25 libras. Os estojos estavam embrulhadas.</p> <p>Carga de Validação Médica do Summit 7b: Consistia no limite de peso da carga para instrumentos médicos gerais representando as seguintes geometrias:</p> <ul style="list-style-type: none"> • Dobradiça com trava de caixa • Dobradiça pivotante • Luer-lock <p>Instrumentos médicos gerais foram distribuídos em três(3) estojos IN-0006-TF com suportes de silicone apropriados. Os estojos foram colocadas em recipientes Aesculap JM440, cada um pesando 25 lbs.</p>	<p>Carga 7a = 25 libras/estajo 75 libras total</p> <p>Carga 7b = 25 libras/estajo 75 libras total</p>
8	<p>Carga de Validação Médica do Summit 8a: Consistia no limite de carga de cinco (5) canais de endoscópio flexíveis totais em estojos embalados:</p> <ul style="list-style-type: none"> • Dois (2) endoscópios flexíveis de canal duplo (ureteroscópios – 1mm x 850mm e 1mm x 989mm) foram embalados, um (1) por estojo, em estojos IN-0003-R. • Um (1) endoscópio flexível de canal único (ureteroscópio – 1mm x 850mm) foi embalado em um estojo IN-0004-R. <p>Os estojos incluíam suportes de silicone apropriados e foram embrulhadas.</p> <p>Carga de Validação Médica do Summit 8b: Consistia no limite de carga de quatro (4) canais de endoscópio flexíveis totais em estojos embalados em recipientes rígidos:</p> <ul style="list-style-type: none"> • Dois (2) endoscópios flexíveis de canal duplo (ureteroscópio – 1mm x 850mm e 1mm x 989mm) foram acondicionados, um (1) por estojo, em estojos IN-0003-TF com suportes de silicone apropriados. <p>Cada estojo foi colocada dentro de um recipiente Aesculap JM442.</p>	<p>Carga 8a = 4,3 libras/estajo, 13 libras total</p> <p>Carga 8b = 8,3 libras/estajo, 25 libras total</p>

ARMAZENAMENTO

Armazene os estojos esterilizados terminalmente embrulhados ou em recipientes na prateleira de armazenamento em posição horizontal. Consulte o fabricante do invólucro ou do recipiente para obter informações sobre o prazo de validade.

ELIMINAÇÃO

Caso os Sistemas de Proteção de Instrumentos InstruSafe® não passem na inspeção antes do uso ou não sejam mais considerados aptos para o propósito, os dispositivos devem ser descartados de acordo com o protocolo local. O método de eliminação deve depender dos riscos potenciais de contaminação e infecção cruzada quando for identificada a necessidade de eliminação.

COMUNICAÇÃO DE INCIDENTES GRAVES

Qualquer incidente grave que tenha ocorrido em relação ao dispositivo deve ser comunicado ao fabricante e à FDA/autoridade competente do Estado-Membro em que o usuário e/ou paciente está estabelecido.

GARANTIA

GARANTIA LIMITADA PARA O SISTEMA DE PROTEÇÃO DE INSTRUMENTOS INSTRUSAFE DA SUMMIT MEDICAL.

ESTA GARANTIA LIMITADA E OS RECURSOS FORNECIDOS NESTE DOCUMENTO SÃO EXCLUSIVOS E SUBSTITUEM TODAS AS OUTRAS GARANTIAS EXPRESSAS E, A MENOS QUE INDICADO O CONTRÁRIO NESTE DOCUMENTO, ANULA QUAISQUER DECLARAÇÕES OU REPRESENTAÇÕES FEITAS POR QUALQUER OUTRA PESSOA OU EMPRESA. A DURAÇÃO DE QUAISQUER GARANTIAS IMPLÍCITAS DE COMERCIALIZAÇÃO OU ADEQUAÇÃO A UMA FINALIDADE ESPECÍFICA SERÁ LIMITADA À DURAÇÃO DA GARANTIA LIMITADA EXPRESSA. NEM A SUMMIT MEDICAL NEM SUAS AFILIADAS SERÃO RESPONSÁVEIS POR QUAISQUER PERDAS OU DANOS INCIDENTAIS, CONSEQUENCIAIS OU ESPECIAIS, RESULTANTES DO USO OU DA INCAPACIDADE DE USAR O SISTEMA INSTRUSAFE, SEJA RESULTANTE DE VIOLAÇÃO DA GARANTIA OU DE QUALQUER OUTRA TEORIA LEGAL.

Esta garantia limitada fornece direitos legais específicos e você também pode ter outros direitos que variam de estado para estado. Alguns estados não permitem limitações quanto à duração de uma garantia implícita ou não permitem a exclusão ou limitação de danos incidentais ou consequentes; portanto, as limitações ou exclusões acima podem não se aplicar a você.

O que está coberto. A Summit Medical garante ao comprador original que o sistema InstruSafe incluído nesta garantia limitada está em conformidade com as especificações do fabricante e livre de defeitos de fabricação e material por um período de 12 meses a partir da data da compra original. Se o comprador original transferir o Sistema InstruSafe para outra parte, esta Garantia Limitada não será aplicável à parte para a qual o produto foi transferido.

O que faremos para corrigir problemas. Se o seu Sistema InstruSafe apresentar defeito durante esse período, notifique a Summit Medical ou um distribuidor ou revendedor autorizado da Summit Medical. Deve-se permitir que a Summit Medical ou seus representantes façam as investigações, exames e testes que a Summit Medical considerar adequados e, se solicitado, devolver o produto à fábrica no endereço indicado abaixo. A única obrigação da Summit Medical sob esta Garantia Limitada é, a seu critério, reparar ou substituir o produto defeituoso, sem cobrança por peças ou mão de obra. Os custos de postagem, seguro ou transporte incorridos na apresentação do Sistema InstruSafe para o serviço de garantia são de sua responsabilidade.

O que não está coberto. Esta Garantia Limitada depende do uso e manutenção adequados do produto; ela não abrange produtos que foram transportados incorretamente ou que foram mal utilizados, abusados, negligenciados ou mantidos, limpos ou armazenados incorretamente, ou que foram reparados por outros meios que não através da Summit Medical ou um distribuidor ou revendedor autorizado da Summit Medical, ou que foram modificados sem a aprovação expressa da Summit Medical. O não cumprimento das instruções no manual do proprietário pode constituir uso ou manutenção inadequada do produto e faz com que esta Garantia Limitada não se aplique. Esta garantia não se estende ao desgaste normal ou a itens de substituição.

Em caso de dúvidas ou reclamações relacionadas a esta garantia, entre em contato com:

Departamento de Atendimento ao Cliente
Summit Medical
815 Vikings Parkway, Suite 100
St. Paul, MN 55121 | EUA
www.instrusafe.com

TELEFONE: 651-789-3939 | 888-229-2875
FAX: 651-789-3979 | 888-229-1941
E-MAIL: customerservice@innoviamedical.com

De instructies in dit document zijn door de fabrikant gevalideerd voor het verwerken van herbruikbare medische hulpmiddelen.

Afhankelijk van uw locatie zijn er verschillende eisen ten aanzien van afzonderlijke sterilisatoren, de reinheid van het instrument, het laden van instrumentschalen en de typen en geometrie van instrumenten, sterilisatiecontainers, filters en verpakkingen.

LEES DIT HOOFDSTUK VÓÓR U HET PRODUCT IN GEBRUIK NEEMT

SAMENVATTING BEOOGD GEBRUIK/GEBRUIKSAANWIJZING

De InstruSafe®-instrumentbeschermingssysteemcassettes/-schalen zijn bedoeld voor het bewaren van herbruikbare medische hulpmiddelen en deze te beschermen tijdens transport, sterilisatie en opslag. De InstruSafe®-instrumentbeschermingssysteemcassettes/-schalen worden gebruikt voor het ordenen en beschermen van andere medische hulpmiddelen die door een zorgverlener zijn gesteriliseerd. De InstruSafe®-instrumentbeschermingssysteemcassettes/-schalen zijn bedoeld om de sterilisatie van de ingesloten medische hulpmiddelen tijdens deze sterilisatiecycli mogelijk te maken:

- Voorvacuümstoom (ISO 17665-1 en EN 285)
- Ethyleenoxide (ISO 11135)
- Gevalideerde sterilisatie op lage temperatuur, (ISO 14937) d.w.z.
 - STERRAD® 100S Standard (kort)
 - STERRAD® 100NX® Express, Standard en Flex
 - STERIS® AMSCO® V-PRO 1®, V-PRO 1 Plus, V-PRO maX en V-PRO maX 2
 - Sterizone® VP4
 - STERRAD® NX® Standard

De InstruSafe®-instrumentbeschermingssysteemcassettes/-schalen zijn niet bedoeld om op zichzelf instrumenten steriel te houden. De InstruSafe®-instrumentbeschermingssysteemcassettes/-schalen zijn bedoeld voor gebruik in combinatie met een legaal in de handel gebrachte verpakking, vormvaste Aesculap®-container of vormvaste Genesis™-container.

InstruSafe-sterilisatiecontainers zijn gevalideerd voor gebruik met InstruSafe-instrumentbeschermingssysteemcassettes/-schalen (voorvacuüm, 132 °C (270 °F), alleen een stoomsterilisatiecyclus van 4 minuten) onder 510(k) K180528. Raadpleeg de gebruiksaanwijzing van de InstruSafe®-sterilisatiecontainer voor meer informatie.

Een volledige lijst met apparaatmodellen die kunnen worden bekeken op www.instrusafe.com/ifus is te vinden in Bijlage A.

BESCHRIJVING VAN HET APPARAAT

Summit Medical InstruSafe-instrumentbeschermingssysteemcassettes/schalen waarin u chirurgische instrumenten en toebehoren overzichtelijk kunt plaatsen en bewaren tijdens het sterilisatieproces, en daarna voor opslag en vervoer. De cassettes/schalen komen niet rechtstreeks in contact met de patiënt. De instrumenten worden niet door de cassettes/schalen zelf gesteriliseerd. De cassettes/schalen hebben verschillende afmetingen, maar dezelfde basisconfiguratie, namelijk een rechthoekige basis met vergrendelbare kap. De cassettes/schalen zijn voorzien van perforaties voor penetratie van het sterilisatiemiddel. De cassettes/schalen bevatten silicone inzetstukken in de basis en/of kap om de chirurgische instrumenten op hun plek te houden, te ordenen en te beschermen tijdens het sterilisatieproces, en daarna voor opslag en transport.

BEOOGDE GEBRUIKER

De InstruSafe®-instrumentbeschermingssysteemcassettes/schalen zijn bedoeld voor gebruik door zorgprofessionals in de operatiekamer en op de steriele verwerkingsafdeling voor het transport, de sterilisatie en de opslag van medische hulpmiddelen.

BEPERKT AANTAL VERWERKINGEN

1. Het InstruSafe-instrumentbeschermingssysteem bereikt het einde van de nuttige levensduur na minimaal 25 sterilisatiecycli. Controleer de schaal vóór gebruik op slijtage en gebruiksschade. Stop het gebruik van de schaal bij zichtbare tekenen van slijtage of schade, zoals corrosie, mechanische defecten, scheuren, afschilferingen, afbladderingen, beschadigde lasnaden, beschadigde voetjes, beschadigde grendels, beschadigde Hold-Its®/Hold-Downs®, verkleuringen enz.
2. Raadpleeg **tabel 2** voor sterilisatiemethoden en -configuraties.
3. De InstruSafe-systemen en -componenten **NIET OVERBELADEN**.
4. Afzonderlijke Hold-Its-sleuven **NIET OVERBELADEN**. Plaats maximaal één instrument per Hold-Its-sleuf.
5. Voor gebruikers van vormvaste containers: de InstruSafe-systemen en -componenten **NIET VERPAKKEN** en in de container plaatsen voor sterilisatie.
6. Afzonderlijk verpakte of in containers geplaatste InstruSafe-systemen en -componenten **NIET STAPELEN** in sterilisatoren. Voor een optimale doorstroming van het sterilisatiemiddel plaatst u verpakte of in container geplaatste InstruSafe-systemen en -componenten op afstand van elkaar en andere artikelen, en op afzonderlijke planken in de sterilisator.
7. Door het gebruik van een niet-absorberende schaalliner (zoals een silicone mat) kan condens zich ophopen. Als er zichtbaar vocht aanwezig is, voert u de sterilisatie opnieuw uit met een langere droogtijd.
8. Het totale gewicht van het containersysteem (zoals de container, schaal en instrumenten) mag maximaal 25 pond (11,34 kg) bedragen.
9. Instrumenten (zoals endoscopen en instrumenten met lumen of kanalen) moeten worden voorbereid en gesteriliseerd conform de instructies van de fabrikant van het instrument.
10. Het is de verantwoordelijkheid van de verwerker om specifieke validaties bij te houden voor het eindsterilisatieproces dat wordt toegepast op de configuraties van de instrumenten en containers die worden aangeboden aan het sterilisatieproces.
11. Raadpleeg de gebruiksaanwijzing van de fabrikant van de sterilisator voor aanvullende beperkingen (bijv. beperkingen op het gebied van afmetingen of gewicht).

WAARSCHUWINGEN

- Gebruik voor aluminium InstruSafe-systemen alleen pH-neutrale (6,0-8,5) reinigingsmiddelen om schade aan de afwerklaag te voorkomen. Reinigingsmiddelen met een hoog zuurgehalte of hoog alkalisch gehalte kunnen de afwerklaag van geanodiseerd aluminium van de cassette en metalen onderdelen permanent beschadigen.
- Niet gebruiken wanneer verpakking vóór gebruik is beschadigd of onbedoeld is geopend.

Opmerking: reinig en inspecteer de cassettes vóór gebruik conform de meegeleverde instructies.

ALGEMENE VOORZORGSMAATREGELEN

- Het personeel moet persoonlijke beschermingsmiddelen en apparatuur dragen conform de vereisten in de bedrijfsprocedures van hun werkgever/afdeling voor het besmettingsniveau waaraan zij worden blootgesteld.
- Houd verschillende metalen gescheiden tijdens de sterilisatie om corrosievorming te voorkomen.

NUTTIGE TIP

Verwijder grof vuil met papieren of stoffen wegwerpdoekjes. Verontreinigde onderdelen moeten vochtig worden gehouden totdat gekwalificeerde reinigingsprocessen kunnen worden toegepast.

REINIGING

Raadpleeg de gebruiksaanwijzing van de fabrikant van de instrumenten voor specifieke instructies voor het reinigen van de instrumenten in de cassettes.

Het wordt aanbevolen om een van de volgende gevalideerde reinigingsmethoden te gebruiken om de cassette/schaal te reinigen.

Gebruik alleen oplossingen met een neutrale pH (6,0 – 8,5) die vrij zijn van natriumcarbonaat om beschadiging van de afwerking van aluminium cassettes te voorkomen.

GEBRUIK GEEN schuursponsjes of schurende reinigingsmiddelen. De cassette **NIET** in vloeistof bewaren.

1. Handmatige, grove ontsmetting:

- A. Vereiste hulpmiddelen: pH-neutraal (6,0-8,5) enzymatisch reinigingsmiddel, zachte borstel en stromend water.
- B. Verwijder al het zichtbare vuil en verontreinigingen met een zachte borstel. De volledige cassette moet gedurende twee minuten worden ondergedompeld tijdens de reiniging om verontreinigingen gemakkelijker te verwijderen en minder reinigingsmiddel op medewerkers te laten spatten.
- C. Spoel al het reinigingsmiddel goed af met schoon water gedurende minimaal één minuut. Raadpleeg de afspoelinstructies op het label van het reinigingsmiddel.

2. Ultrasonische reiniging:

- A. Bereid een enzymatische wasbeurt voor in een ultrasoonreiniger.
- B. Plaats één cassette in het reinigingsmiddel en laat het apparaat minimaal tien minuten draaien.
- C. Spoel minimaal twee minuten af met koud stromend water.
- D. Controleer of de cassette vrij is van verontreinigingen. Herhaal indien nodig de cyclus om zichtbare verontreinigingen te verwijderen.

3. Automatische wasmachine:

De InstruSafe-instrumentbeschermingsystemen zijn gevalideerd voor de automatische wascyclus in **tabel 1**. Kwalificatie van specifieke parameters moet worden uitgevoerd door de verwerker.

Tabel 1

CYCLUS	WATERTEMPERATUUR	REINIGINGSPROCES
Voorwas 1 en 2	Koud stromend water	Recirculatielijd: 2 minuten
Enzymatische wasbeurt	Warm stromend water	Inweektijd: 4 minuten
Wasbeurt 1	Verhit tot 65,5 °C (150 °F)	Recirculatielijd: 15 minuten
Spoelbeurt 1 en 2	Warm stromend water	Recirculatielijd: 5 minuten

Opmerking: Na het uitvoeren van een automatische wascyclus, controleert u of er nog vuil zichtbaar is op het InstruSafe-systeem (cassette en accessoires). Alle zichtbare vuildeeltjes moeten worden verwijderd met een handwas, borstel, ultrasoonreiniger of extra automatische cyclus vóór sterilisatie.

DESINFECTIE

InstruSafe-systemen zijn bedoeld voor sterilisatie in de eindverpakking.

ONDERHOUD, INSPECTIE EN TESTEN

InstruSafe-systemen mogen worden hergebruikt tot er een onaanvaardbare slijtage optreedt, zoals corrosievorming, scheuren, roestvorming, afschilferingen, afbladderingen, verkleuringen of mechanische defecten.

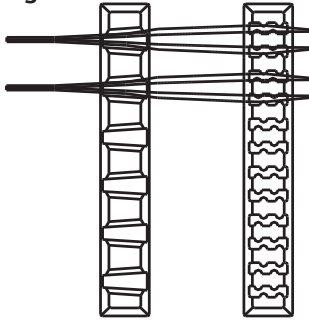
Tekenen van een mechanisch defect:

- Gebroken of gebarsten hoeken of lasnaden
- Gebroken of niet-werkende grendels
- Ontbrekende, gescheurde of gesneden silicone inzetstukken
- Ontbrekende of beschadigde voetjes

MONTAGE

1. Plaats de instrumenten in de daarvoor bestemde houders of in het gemarkeerde gedeelte, zodat alle oppervlakken van de instrumenten worden blootgesteld aan het sterilisatiemiddel. Zie **afbeelding A**. Zorg ervoor dat er maximaal één instrument in een sleuf zit. Indien mogelijk haalt u het instrument of de onderdelen uit elkaar conform de instructies van de fabrikant van het instrument. **De houders NIET overbeladen noch de gewichtslimieten van de cassettes overschrijden. Raadpleeg bijlage A.**

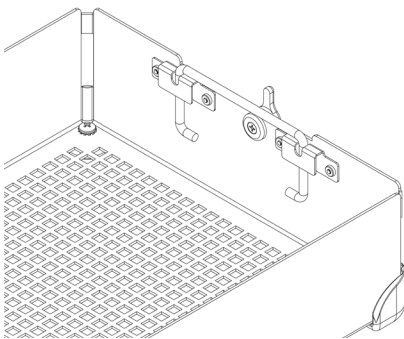
Afbeelding A.



Opmerking: Instrumenten (zoals endoscopen en instrumenten met lumen of kanalen) moeten worden voorbereid en gesteriliseerd conform de gebruiksaanwijzingen van de fabrikant van het instrument.

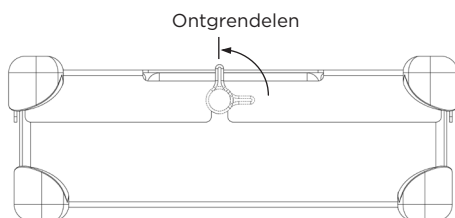
2. Zorg ervoor dat de handgrepen in de cassette zijn geplaatst (ingetrokken positie). Zie **afbeelding B**.

Afbeelding B.



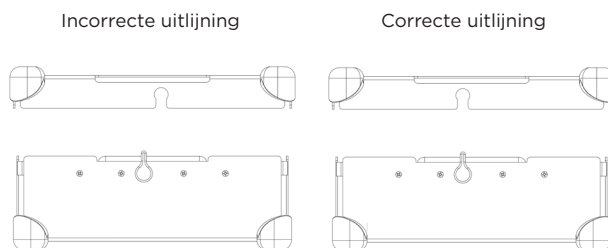
3. Plaats de cassettekop op de cassettebasis en zorg ervoor dat de grendels correct zijn uitgelijnd met de grendelsleuf op de kap. Vergrendel vervolgens de kap. Zie **afbeelding C**.

Afbeelding C.



Opmerking: De grendels zijn naar links verschoven om de cassettekop uit te lijnen met de basis. Hierdoor zijn de houders uitgelijnd wanneer de kap wordt vergrendeld. Zie **afbeelding D** voor de juiste uitlijning. **De cassettekop NIET forceren op de basis, anders kunnen de instrumenten en de cassette beschadigd raken.**

Afbeelding D.



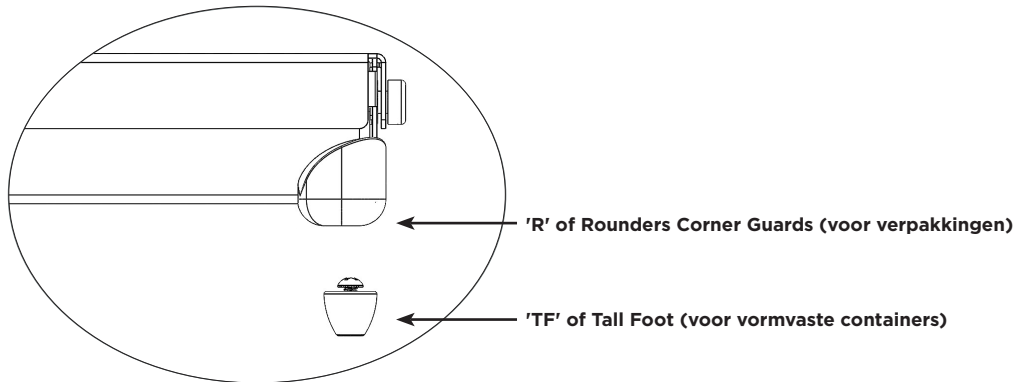
VERPAKKING

InstruSafe-systemen mogen worden verpakt in een legaal in de handel gebrachte verpakking of vormvaste container. Raadpleeg de Gebruiksaanwijzing.

Gebruik met verpakking:

1. Voordat u de cassette verpakt, moet u controleren of de juiste voetjes worden gebruikt. Voor een verpakking moet u R-voetjes gebruiken. Zie **afbeelding F**.

Afbeelding F.



2. Wikkel de cassette in met wettelijk in de handel verkrijgbare wikkel volgens de instructies van de fabrikant van de wikkel.
3. Steriliseer de verpakking met een van de sterilisatiecycli die in de gebruiksaanwijzing vermeld staan.

Gebruik met vormvaste container:

Raadpleeg de gebruiksaanwijzing.

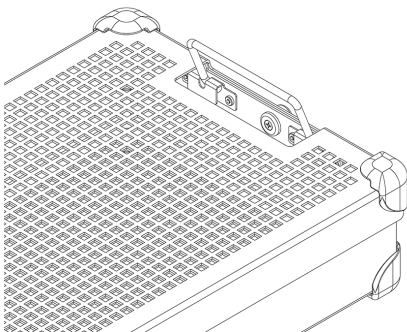
1. Voordat u de cassette in een vormvaste container plaatst, controleert u of de juiste voetjes worden gebruikt. Voor een vormvaste container moet u TF-voetjes gebruiken. Zie **afbeelding F**.
2. Plaats de cassette in een vormvaste container. Volg de instructies van de fabrikant van de container om de container te verzegelen.
Opmerking: De cassettes niet verpakken voor u ze in de container plaatst voor sterilisatie.
3. Steriliseer de container en de inhoud met behulp van een van de sterilisatiecycli die in de gebruiksaanwijzing vermeld staan.

Aanvullende informatie:

Om de cassette aseptisch uit een vormvaste container te verwijderen, volgt u de gebruiksaanwijzing van de fabrikant van de container.

1. Draag handschoenen, houd uw handpalmen naar buiten en steek uw handen door de openingen in de cassettekop.
2. Grijp de handgrepen van de cassette en zet ze in de opgerichte positie. Zie **afbeelding G**.

Afbeelding G.



3. Kantel de handgrepen naar binnen, weg van de zijkant van de vormvaste container. Til de cassette uit de container en zorg daarbij dat u de bovenzijde en buitenkant van de container niet raakt.
4. Plaats de cassette op een steriel oppervlak.

STERILISATIE

Raadpleeg **Tabel 2** voor sterilisatieparameters die gekwalificeerd zijn voor de sterilisatie van InstruSafe-systemen.

Tabel 2.

STERILISATIEMETHODE	CYCLUS (tijden)
Stoom voorvacuüm	Parameter: Temperatuur 132 °C (270 °F) Duur blootstelling 4 minuten Droogtijd 30 minuten
Ethyleenoxide (EO)	Voorbehandeling: Temperatuur 55°C (131°F) Relatieve vochtigheid 70 ± 15% Duur voorbehandeling 1 uur Sterilisatie: Duur blootstelling 120 minuten Temperatuur 55°C (131°F) Duur ventilatie 12 uur
STERRAD 100S	<i>Standard</i>
STERRAD 100NX	<i>Standaard, Express, Flex</i>
STERRAD NX	<i>Standard</i>
STERIS AMSCO V-PRO 1	<i>Standard</i>
STERIS AMSCO V-PRO 1 PLUS	<i>Lumen, niet-lumen</i>
STERIS AMSCO V-PRO maX	<i>Lumen, niet-lumen</i>
STERIS AMSCO V-PRO maX 2	<i>Lumen, niet-lumen</i>
Sterizon VP4	<i>Cyclus 1</i>

Summit Medical heeft de volgende sterilisatiemethoden gevalideerd:

- De autoclaafsterilisatiecyclus van 4 minuten in wettelijk op de markt gebrachte verpakking, InstruSafe-sterilisatiecontainer, Aesculap-vormvaste container of Genesis-vormvaste container goedgekeurd door de FDA. Onder K180528 is de InstruSafe-sterilisatiecontainer gevalideerd voor gebruik met de cassettes/schalen voor het InstruSafe-instrumentbeschermingssysteem.
- De sterilisatiecyclus met ethyleenoxide (EO) in wettelijk op de markt gebrachte verpakking of een steriele Genesis-container die is goedgekeurd door de FDA.
- De STERRAD 100S Standard-sterilisatiecyclus in wettelijk op de markt gebrachte verpakking of een door de FDA goedgekeurde Aesculap vormvaste container.
- De STERRAD 100NX Standard-sterilisatiecyclus in wettelijk op de markt gebrachte verpakking of een door de FDA goedgekeurde Aesculap vormvaste container.
- De STERRAD 100NX Express-sterilisatiecyclus in een legaal in de handel gebrachte verpakking, goedgekeurd door de FDA.
- De STERRAD 100NX Flex-sterilisatiecyclus in wettelijk op de markt gebrachte verpakking of een door de FDA goedgekeurde Aesculap-container.
- De STERRAD NX Standard-sterilisatiecyclus in wettelijk op de markt gebrachte verpakking of een door de FDA goedgekeurde Aesculap-container.
- De STERIS AMSCO V-PRO 1, V-PRO 1 PLUS, V-PRO maX en V-PRO maX 2 sterilisatiecycli in wettelijk op de markt gebrachte verpakking of een door de FDA goedgekeurde Aesculap vormvaste container.
- De Sterizone VP4-sterilisatiecyclus in wettelijk op de markt gebrachte verpakking of een door de FDA goedgekeurde Aesculap-container

Overschrijd **NIET** de laadcapaciteit van de steriele container zoals aangegeven door de fabrikant.

Gebruik een door de FDA goedgekeurde accessoire om de steriliteit te behouden.

Raadpleeg de instructiehandleiding van het sterilisatiemiddel om er zeker van te zijn dat de beoogde ladingen compatibel zijn met de beoogde sterilisatiecyclus.

Raadpleeg de gebruiksaanwijzing van de container om er zeker van te zijn dat de beoogde lading compatibel is met de door de FDA goedgekeurde ladingen voor de container.

GEBRUIKSAANWIJZING

4 Minute Steam, Wrap & Aesculap® Rigid Container

InstruSafe®-instrumentbeschermingssysteemcassettes worden gebruikt om andere medische hulpmiddelen die door een zorgverlener zijn gesteriliseerd, te ordenen en te beschermen. InstruSafe-instrumentbeschermingssysteemcassettes zijn bedoeld om de ingesloten medische hulpmiddelen te steriliseren tijdens de stoom voorvacuümfase van een sterilisatiecyclus. De InstruSafe-instrumentbeschermingssysteemcassettes zijn bedoeld voor gebruik in combinatie met een legaal in de handel gebrachte verpakking of vormvaste Aesculap-container. De InstruSafe-instrumentbeschermingssysteemcassettes zijn niet bedoeld om op zichzelf instrumenten steriel te houden.

Sterilisatieparameter autoclaaf	
CYCLUS	Voorvacuüm
Temperatuur	132°C (270°F)
Duur blootstelling	4 minuten
Minimale droogtijd	30 minuten
Summit-cassettemodel	Aesculap-containermodel
IN-8823-AE	*JN444
IN-2880	*JK444
IN-6105	*JN742
<i>*ALLEEN gevalideerd door Summit Medical voor gebruik in de voorvacuümfase van stoomsterilisatoren bij een temperatuur van 132°C (270°F) bij een blootstellingsduur van 4 minuten. Raadpleeg de gebruiksaanwijzing van de container en controleer of de inhoud niet de laadcapaciteit van de sterilisatiecontainer overschrijdt.</i>	

Lumen vereisten voor voorvacuümfase bij stoomsterilisatiecyclus van 4 minuten			
Summit-cassettemodel	Minimale binnendiameter	Maximale lengte	Aantal lumen
IN-8823-CF	3 mm	400 mm	4
IN-8823-CF	3 mm	200 mm	2
IN-2880	1 mm	76 mm	2
IN-2880	3 mm	177 mm	1
IN-6105	5 mm	241 mm	1
IN-2681	1 mm	65 mm	1
IN-2681	3 mm	200 mm	1
IN-7823	1 mm	400 mm	17

4 Minute Steam, Genesis™ Rigid Container

InstruSafe®-instrumentbeschermingssysteemcassettes worden gebruikt om andere medische hulpmiddelen die door een zorgverlener zijn gesteriliseerd, te ordenen en te beschermen. InstruSafe-instrumentbeschermingssysteemcassettes zijn bedoeld om de ingesloten medische hulpmiddelen te steriliseren tijdens de stoom voorvacuümfase van een sterilisatiecyclus. De InstruSafe-instrumentbeschermingssysteemcassettes zijn bedoeld voor gebruik in combinatie met een legaal in de handel gebrachte vormvaste Genesis-container. De InstruSafe-instrumentbeschermingssysteemcassettes zijn niet bedoeld om op zichzelf instrumenten steriel te houden. In bijlage A vindt u een volledige lijst met apparaatmodellen.

Lumen vereisten voor voorvacuümfase bij stoomsterilisatiecyclus van 4 minuten			
Summit-cassettemodel	Minimale binnendiameter	Maximale lengte	Aantal lumen
IN-2681	1 mm	65 mm	1
IN-2681	3 mm	200 mm	1
IN-6105	5 mm	241 mm	1
IN-0000	1 mm	400 mm	5
	3 mm	400 mm	1
	5 mm	400 mm	1

GEBRUIKSAANWIJZING (vervolg)

8 minuten stoom en ethyleenoxide (EO), verpakking en vormvaste Genesis™-container

InstruSafe®-instrumentbeschermingssysteemcassettes worden gebruikt voor het ordenen en beschermen van andere medische hulpmiddelen die door een zorgverlener zijn gesteriliseerd. InstruSafe-systeemcassettes zijn bedoeld om de ingesloten medische hulpmiddelen te steriliseren tijdens de stoom voorvacuümfase van een sterilisatiecyclus of sterilisatiecyclus met ethyleenoxide. De InstruSafe-systeemcassettes zijn bedoeld voor gebruik in combinatie met een legaal in de handel gebrachte verpakking of vormvaste Genesis-container. De InstruSafe-systeemcassettes zijn niet bedoeld voor het op zichzelf steriel houden van instrumenten.

Sterilisatiemethoden en -configuraties

8 minuten stoom met voorbehandeling op 132 °C	
Geweven verpakking met een draadichtheid van 140	Droogtijd: 10 minuten
Niet-geweven verpakking (Kimberly-Clark)	Droogtijd: 50 minuten
Genesis-container (raadpleeg tabel 1 voor geschikt filterpapier)	Droogtijd: 30 minuten

Ethyleenoxide (EO)
<ul style="list-style-type: none"> ▪ 1 uur voorbehandeling bij 55°C (131°F) bij een relatieve vochtigheid van 70 ± 15% ▪ 2 uur blootstelling bij 55°C (131°F) ▪ 12 uur ventilatie

Genesis-container	Filterpapier Genesis-container
CD2-4B	FX3-1: 9x9"
CD2-5B	FX3-1: 9x9"
CD3-4B	FX3-1: 9x9"
CD3-5B	FX3-1: 9x9"
CD3-6B	FX3-1: 9x9"
CD3-7B	FX3-1: 9x9"
CD4-5B	FO3-2: 9x6"
CD5-61B	FO3-2: 9x6"
CD6-6B	FX3-1: 9x9"

Raadpleeg de gebruiksaanwijzingen van de V. Mueller Genesis-sterilisatiecontainer wanneer u een vormvaste Genesis-container gebruikt.

STERRAD® 100S & STERRAD® 100NX® Standard Cycles, Wrap & Aesculap® Rigid Container

InstruSafe®-instrumentbeschermingssysteemcassettes worden gebruikt om andere medische hulpmiddelen die door een zorgverlener zijn gesteriliseerd, te ordenen en te beschermen. InstruSafe-instrumentbeschermingssysteemcassettes zijn bedoeld om de ingesloten medische hulpmiddelen te steriliseren tijdens een Sterrad 100S Standard- en Sterrad 100NX Standard-sterilisatiecyclus. De InstruSafe-instrumentbeschermingssysteemcassettes zijn bedoeld voor gebruik in combinatie met een legaal in de handel gebrachte verpakking of vormvaste Aesculap-container. De InstruSafe-instrumentbeschermingssysteemcassettes zijn niet bedoeld om op zichzelf instrumenten steriel te houden. In bijlage A vindt u een volledige lijst met apparaatmodellen.

De volgende sterilisatieschalen zijn gevalideerd met de bijbehorende vormvaste containers:

STERRAD 100S Standard-cyclus	
Summit-cassettemodel	Aesculap-containermodel
IN-8823-AE	*JM444
IN-6105	*JM440

STERRAD 100NX Standard-cyclus	
Summit-cassettemodel	Aesculap-containermodel
IN-8823-AE	*JM444
IN-6105	*JM440

*ALLEEN gevalideerd door Summit Medical voor gebruik bij STERRAD 100S Standard-cyclus en STERRAD 100NX Standard-cyclus. Raadpleeg de gebruiksaanwijzing van de container en controleer of de inhoud niet de laadcapaciteit van de sterilisatiecontainer overschrijft.

Lumenspecificaties voor STERRAD 100S Standard- en STERRAD 100NX Standard-cyclus	
4 roestvrijstalen lumen met een binnendiameter van 3 mm en een lengte van 400 mm	Alle modellen met het juiste formaat staan vermeld in Bijlage A met uitzondering van IN-2681.
2 roestvrijstalen lumen met een binnendiameter van 3 mm en een lengte van 200 mm	
1 roestvrijstalen lumen met een binnendiameter van 3 mm en een lengte van 200mm	IN-2681
1 roestvrijstalen lumen met een binnendiameter van 1 mm en een lengte van 65 mm	

GEBRUIKSAANWIJZING (vervolg)

STERRAD® NX® Standard Cycle, Wrap & Aesculap® Rigid Container

InstruSafe®-instrumentbeschermingssysteemcassettes worden gebruikt om andere medische hulpmiddelen die door een zorgverlener worden gesteriliseerd, te ordenen en te beschermen. InstruSafe-instrumentbeschermingssysteemcassettes zijn bedoeld om de ingesloten medische hulpmiddelen te steriliseren tijdens een Sterrad NX Standard-sterilisatiecyclus. De InstruSafe-instrumentbeschermingssysteemcassettes zijn bedoeld voor gebruik in combinatie met een legaal in de handel gebrachte verpakking of vormvaste Aesculap-container. De InstruSafe-instrumentbeschermingssysteemcassettes zijn niet bedoeld om op zichzelf instrumenten steriel te houden. In bijlage A vindt u een volledige lijst met apparaatmodellen.

Sterilisatiemethoden en -configuraties
- Sterrad NX Standard-sterilisatiecyclus

Lumenvereisten voor STERRAD NX Standard-sterilisatiecyclus			
Summit-cassettemodel	Minimale binnendiameter	Maximale lengte	Aantal lumen
IN-2681	1 mm	65 mm	1
IN-2681	3 mm	200 mm	1
IN-8987-S	1 mm	500 mm	5
IN-8615	2,3 mm	210 mm	5
IN-6105	4 mm	235 mm	1

Opmerking: De ongunstigste lading op basis van de berekening van de ontluchting-volume is de IN-2681-schaal.

STERRAD® 100NX® Express Cycle, Wrap

InstruSafe®-instrumentbeschermingssysteemcassettes worden gebruikt om andere medische apparaten die door een zorgverlener zijn gesteriliseerd, te ordenen en te beschermen. InstruSafe-instrumentbeschermingssysteemcassettes zijn bedoeld om de ingesloten medische hulpmiddelen te steriliseren tijdens een Sterrad® 100NX Express-cyclus. De InstruSafe-instrumentbeschermingssysteemcassettes zijn bedoeld voor gebruik in combinatie met een legaal in de handel gebrachte verpakking. De InstruSafe-instrumentbeschermingssysteemcassettes zijn niet bedoeld om op zichzelf instrumenten steriel te houden. Er zijn geen lumenvereisten voor het InstruSafe-instrumentbeschermingssysteem wat betreft de Sterrad 100NX Express-cyclus.

STERRAD® 100NX® Flex Sterilisatiecyclus, Wrap & Aesculap® vormvaste container

InstruSafe®-instrumentbeschermingssysteemcassettes worden gebruikt om andere medische hulpmiddelen die door een zorgverlener worden gesteriliseerd, te ordenen en te beschermen. InstruSafe-instrumentbeschermingssysteemcassettes zijn bedoeld om de ingesloten medische hulpmiddelen te steriliseren tijdens een Sterrad 100NX Flex-sterilisatiecyclus. De InstruSafe-instrumentbeschermingssysteemcassettes zijn bedoeld voor gebruik in combinatie met een legaal in de handel gebrachte verpakking of vormvaste Aesculap-container. De InstruSafe-instrumentbeschermingssysteemcassettes zijn niet bedoeld om op zichzelf instrumenten steriel te houden. In bijlage A vindt u een volledige lijst met apparaatmodellen.

STERRAD 100NX Flex-sterilisatiecyclus	
Summit-cassettemodel	Aesculap-containermodel
IN-0000	*JM440
IN-6105	*JM440

**ALLEEN gevalideerd door Summit Medical voor gebruik bij STERRAD 100NX Flex-sterilisatiecyclus. Raadpleeg de gebruiksaanwijzing van de container en controleer of de inhoud niet de laadcapaciteit van de sterilisatiecontainer overschrijft.*

Lumenvereisten voor STERRAD 100NX Flex-sterilisatiecyclus				
Summit-cassettemodel	Minimale binnendiameter	Maximale lengte	Aantal lumen	Verpakking/vormvaste container
IN-0000	1 mm	850 mm	1	Verpakking + vormvaste container
IN-8823	1 mm	850 mm	1	Verpakking + vormvaste container
IN-7344	1 mm	850 mm	1	Verpakking
IN-6105	4 mm	235 mm	1	Verpakking + vormvaste container

De ongunstigste gevalideerde lading op basis van de berekening van de ontluchting-volume is de IN-0000-schaal.

Opmerking: De IN-0000-schaal is alleen bedoeld voor testdoeleinden.

GEBRUIKSAANWIJZING (vervolg)

AMSCO® V-PRO®-sterilisatiecycli op lage temperatuur, verpakking en vormvaste Aesculap®-container

InstruSafe®-instrumentbeschermingssysteemcassettes worden gebruikt voor het ordenen en beschermen van andere medische hulpmiddelen die door een zorgverlener zijn gesteriliseerd. InstruSafe-instrumentbeschermingssysteemcassettes zijn bedoeld om de ingesloten medische hulpmiddelen te steriliseren tijdens AmSCO V-PRO-sterilisatiecycli op lage temperatuur. De InstruSafe-instrumentbeschermingssysteemcassettes zijn bedoeld voor gebruik in combinatie met een legaal in de handel gebrachte verpakking of vormvaste Aesculap-container. De InstruSafe-instrumentbeschermingssysteemcassettes zijn niet bedoeld om op zichzelf instrumenten steriel te houden. In bijlage A vindt u een volledige lijst met apparaatmodellen.

AMSCO V-PRO-lagetemperatuursterilisatiesystemen			
Sterilisator	Standaardcyclus	Lumencyclus	Niet-lumencyclus
V-PRO 1	X	N.v.t.	N.v.t.
V-PRO 1 PLUS	N.v.t.	X	X
V-PRO maX	N.v.t.	X	X
V-PRO maX 2	N.v.t.	X	X
Summit-cassette-model		Aesculap-container-model	
IN-8823		*JM444	
IN-6105		*JM742	

**ALLEEN gevalideerd door Summit Medical voor gebruik bij AMSCO V-PRO-lagetemperatuursterilisatiesystemen. Als u een Aesculap-container gebruikt als steriele barrière, moet de lading (Summit-schaal en inhoud) voldoen aan de specificaties van de container voor gewicht en ladingtype.*

Voor de volgende instrumenten zijn de lumenafmetingen gevalideerd:			
Summit-cassette-model	Minimale binnendiameter	Maximale lengte	Aantal lumen
IN-8823	3 mm	400 mm	2
IN-6105	3 mm	200 mm	1
IN-2681	1 mm	64 mm	1

Opmerking: De ongunstigste lading op basis van de berekening van de ontluchting-volume is de IN-2681-schaal.

GEBRUIKSAANWIJZING (vervolg)

VP4 Sterizone, Wrap & Aesculap® vormvaste container

InstruSafe®-instrumentbeschermingssysteemcassettes (schalen) worden gebruikt om andere medische hulpmiddelen die door een zorgverlener worden gesteriliseerd, te ordenen en te beschermen. InstruSafe-instrumentbeschermingssysteemcassettes zijn bedoeld om sterilisatie van de bijgevoegde medische hulpmiddelen mogelijk te maken tijdens STERIZONE VP4-sterilisatiecyclus 1. De InstruSafe-instrumentbeschermingssysteemcassettes zijn bedoeld voor gebruik in combinatie met een legaal in de handel gebrachte verpakking of vormvaste Aesculap-container. De InstruSafe-instrumentbeschermingssysteemcassettes zijn niet bedoeld om op zichzelf instrumenten steriel te houden.

Summit Medical heeft het gebruik van InstruSafe-instrumentbeschermingssysteemcassettes in cyclus 1 van de STERIZONE VP4-sterilisator gevalideerd door middel van demonstraties van de sterilisatie-efficiëntie met behulp van representatieve specimens van medische hulpmiddelen, waaronder algemene instrumenten, vormvaste en half-vormvaste instrumenten met lumen en flexibele endoscopen. De validatie leverde informatie op die is gebruikt om ontwerplimieten vast te stellen die van toepassing zijn op het hele assortiment InstruSafe-instrumentbeschermingssysteemcassettes, om ervoor te zorgen dat alle modellen binnen de gevalideerde limieten voor cassetteventilatie, interne rekken en gewicht vallen:

- Minimale ventilatie-volumeverhouding, algemene instrumenten: 0,073
- Minimale ventilatie-volumeverhouding, flexibele endoscopen: 0,263
- Maximumaantal interne planken: Twee (2)
- Maximumgewicht van de cassette (inclusief inhoud): 25 lbs/cassette

Raadpleeg de onderstaande tabel voor de gevalideerde belastingen met InstruSafe-instrumentbeschermingssysteemcassettes. Raadpleeg de gebruiksaanwijzing van de fabrikant van de sterilisator om ervoor te zorgen dat de lading de geclaimde limieten voor de sterilisator niet overschrijdt.

Beschrijving van het belastbare volume van het InstruSafe-instrumentbeschermingssysteem.

Representatief voor STERIZONE® VP4 sterilisator validatiebelasting nr. (K190260)	Beschrijving Summit Medical validatiebelasting	Totaal laadgewicht (exclusief het laadrek van 25-lbs)
4	<p>Belasting 4a: Bestaat uit de belastinglimiet voor vormvaste en half-vormvaste gekanaliseerde instrumenten:</p> <ul style="list-style-type: none"> • Drie (3) semi-vormvaste dubbelkanaals endoscopen (ureteroscoop – 0,7 mm × 500 mm en 1,1 mm × 500 mm) werden verpakt, één (1) per cassette, in drie (3) IN 7323-R-cassettes. • Er werden extra vormvaste kanaalinstrumenten toegevoegd om in totaal 15 kanalen te bereiken. <p>Elke cassette bevatte geschikte silicone instrumenthouders en was verpakt.</p> <p>Belasting 4b: Bestaat uit de belastinglimiet voor vormvaste en half-vormvaste gekanaliseerde instrumenten:</p> <ul style="list-style-type: none"> • Drie (3) semi-vormvaste dubbelkanaals endoscopen (ureteroscoop – 0,7 mm × 400 mm en 1,1 mm × 400 mm) werden verpakt, één (1) per cassette, in drie (3) IN-0007-TF-cassettes. • Er werden extra vormvaste kanaalinstrumenten toegevoegd om in totaal 15 kanalen te bereiken. <p>Elke cassette bevatte geschikte silicone instrumenthouders en werd in een vormvaste Aesculap JM440-container geplaatst.</p>	<p>Belasting 4a = 5 lbs/cassette, 15 lbs totaal</p> <p>Belasting 4b = 11 lbs/cassette, 33 lbs totaal</p>
7	<p>Summit Medical validatiebelasting 7a: Bestaat uit de limiet voor het gewicht van de lading voor algemene medische instrumenten die de volgende geometrieën vertegenwoordigen:</p> <ul style="list-style-type: none"> • Box-lock scharnier • Draaischarnier • Luer-vergrendeling <p>Algemene medische instrumenten werden verspreid over drie (3) IN-7323-R-cassettes met geschikte silicone houders, elk met een gewicht van 25-lbs. De cassettes waren verpakt.</p> <p>Summit Medical validatiebelasting 7b: Bestaat uit de limiet voor het gewicht van de lading voor algemene medische instrumenten die de volgende geometrieën vertegenwoordigen:</p> <ul style="list-style-type: none"> • Box-lock scharnier • Draaischarnier • Luer-vergrendeling <p>Algemene medische instrumenten werden verspreid over drie (3) IN-0006-TF-cassettes met geschikte siliconenhouders. Cassettes werden in Aesculap JM440-containers geplaatst, elk met een gewicht van 25-lbs.</p>	<p>Belasting 7a = 25 lbs/cassette, 75 lbs totaal</p> <p>Belasting 7b = 25 lbs/cassette, 75 lbs totaal</p>
8	<p>Summit Medical validatiebelasting 8a: Bestaat uit de belastinglimiet van vijf (5) in totaal flexibele endoscoopkanalen in verpakte cassettes:</p> <ul style="list-style-type: none"> • Twee (2) dubbelkanaals flexibele endoscopen (ureterscopen – 1 mm × 850 mm en 1 mm × 989 mm) werden verpakt, één (1) per cassette, in IN-0003-R cassettes. • Eén (1) enkelkanaals flexibele endoscoop (ureteroscoop – 1 mm × 850 mm) was verpakt in een IN-0004-R-cassette. <p>Cassettes bevatten geschikte silicone houders en waren verpakt.</p> <p>Summit Medical validatiebelasting 8b: Bestaat uit de belastinglimiet van vier (4) in totaal flexibele endoscoopkanalen in cassettes verpakt in vormvaste containers:</p> <ul style="list-style-type: none"> • Twee (2) flexibele dubbelkanaals endoscopen (ureteroscoop – 1 mm × 850 mm en 1 mm × 989 mm) werden verpakt, één (1) per cassette, in IN-0003-TF cassettes met geschikte silicone houders. <p>Elke cassette werd in een Aesculap JM442-container geplaatst.</p>	<p>Belasting 8a = 4,3 lbs/cassette, 13 lbs totaal</p> <p>Belasting 8b = 8,3 lbs/cassette, 25 lbs totaal</p>

OPSLAG

Definitief gesteriliseerde cassettes die zijn verpakt of in een container zijn geplaatst, moeten horizontaal worden opgeslagen. Raadpleeg de fabrikant van de verpakking of container voor informatie over de houdbaarheid.

VERWIJDERING

Indien de InstruSafe®-instrumentbeschermingssysteem vóór gebruik niet door de keuring komen of anderszins niet langer geschikt voor het doel worden geacht, moeten de apparaten overeenkomstig het plaatselijke protocol worden verwijderd. De verwijderingsmethode is afhankelijk van de mogelijke risico's van kruisbesmetting en infectie wanneer de noodzaak tot verwijdering wordt vastgesteld.

MELDING VAN ERNSTIGE INCIDENTEN

Ernstige incidenten met betrekking tot het instrument moeten worden gemeld bij de fabrikant en de FDA of de bevoegde autoriteit van de lidstaat waarin de gebruiker en/of patiënt zich bevindt.

GARANTIE

BEPERKTE GARANTIE VOOR SUMMIT MEDICAL INSTRUSAFE-INSTRUMENTBESCHERMINGSSYSTEEM.

DEZE BEPERKTE GARANTIE EN HET HIERIN OPGENOMEN RECHTSMIDDEL ZIJN EXCLUSIEF EN VERVANGEN ALLE ANDERE EXPLICIETE GARANTIES, EN TENZIJ HIER ANDERS VERMELD, ZIJN ALLE VERKLARINGEN OF MEDEDELINGEN GEDAAN DOOR EEN ANDER PERSOON OF FIRMA ONGELDIG. DE DUUR VAN ENIGE IMPLICIETE GARANTIE VAN VERKOOPBAARHEID OF GESCHIKTHEID VOOR EEN BEPAALD DOEL IS BEPERKT TOT DE DUUR VAN DE BEPERKTE EXPLICIETE GARANTIE. NOCH SUMMIT MEDICAL NOCH HAAR GELIEERDE ONDERNEMINGEN ZIJN AANSPRAKELIJK VOOR ENIGE INCIDENTELE SCHADE, GEVOLGSCHADE OF BIJZONDERE VERLIEZEN OF SCHADE ALS GEVOLG VAN HET GEBRUIK OF NIET KUNNEN GEBRUIKEN VAN HET INSTRUSAFE-SYSTEEM, ONGEACHT OF DIT HET GEVOLG IS VAN GARANTIESCHENDING OF ENIG ANDER WETTELIJK PRINCIPE.

Deze beperkte garantie geeft u specifieke juridische rechten en u hebt mogelijk andere rechten die per land of staat kunnen verschillen. Sommige landen of staten staan geen beperkingen op de duur van een impliciete garantie of uitsluiting of beperking van incidentele of gevolgschade toe, waardoor de bovenstaande beperking of uitsluitingen mogelijk niet op u van toepassing zijn.

Wat valt er onder de garantie? Summit Medical garandeert de oorspronkelijke koper dat het InstruSafe-systeem waarop deze garantie van toepassing is, voldoet aan de specificaties van de fabrikant en geen materiaal- en fabricagefouten bevat gedurende een periode van 12 maanden vanaf de datum van de originele aankoop. Als de oorspronkelijke koper het InstruSafe-systeem overdraagt aan een andere partij, is de garantie niet afdwingbaar door de partij waaraan het product is overgedragen.

Hoe lossen we problemen op? Als uw InstruSafe-systeem in de garantieperiode gebreken vertoont, moet u Summit Medical of een geautoriseerde distributeur of dealer van Summit Medical op de hoogte stellen. U moet Summit Medical of haar vertegenwoordigers toestaan om naar goedgevoelen van Summit Medical het product te onderzoeken en testen, en op verzoek het product terugsturen naar de fabriek op het onderstaande adres. De enige verplichting van Summit Medical onder deze garantie is, naar eigen inzicht, het gebrekkige product of de gebrekkige producten te repareren of vervangen zonder kosten aan te rekenen voor onderdelen en arbeid. Als u aanspraak maakt op garantie voor uw InstruSafe-systeem komen alle porto-, verzekerings- en verzendkosten voor uw rekening.

Wat valt er niet onder de garantie? Deze beperkte garantie geldt alleen als het product correct wordt gebruikt en onderhouden; de garantie is niet van toepassing op producten die incorrect zijn verzonden, verkeerd zijn gebruikt, misbruikt zijn, verwaarloosd zijn, of onjuist zijn onderhouden, gereinigd of opgeslagen, of zijn gerepareerd door een ander bedrijf dan Summit Medical of een geautoriseerde distributeur of dealer van Summit Medical, of zijn aangepast zonder de expliciete toestemming van Summit Medical. Het niet opvolgen van de aanwijzingen in de gebruikershandleiding kan worden aangemerkt als oneigenlijk gebruik of onjuist onderhoud van het product, waardoor deze beperkte garantie niet van toepassing is. Deze garantie geldt niet voor normale slijtage of vervangingsonderdelen.

Voor garantieclaims of vragen over deze garantie neemt u contact op met:

Afdeling klantenservice
Summit Medical
815 Vikings Parkway, Suite 100
St. Paul, MN 55121 | USA
www.instrusafe.com

TELEFOON: 651-789-3939 | 888-229-2875
Fax.: 651-789-3979 | 888-229-1941
E-mail: customerservice@innoviamedical.com

Instruktionerna som anges häri har bekräftats av apparattillverkaren för att kunna ombearbeta återanvändbara medicinska apparater.

Individuella sterilisatorer, instrumentrengöring, specifik lastning av instrumenttråg, instrumenttyper och geometri av instrument, steriliseringsbehållare, filter och svep varierar på varje plats.

LÄS DETTA INNAN ANVÄNDNING AV PRODUKTEN

AVSEDD ANVÄNDNING/SAMMANFATTNING AV INDIKATIONER FÖR ANVÄNDNING

Kassetter/tråg för instrumentskyddssystem är avsedda att innesluta och skydda återanvändbara medicinska apparater under transport, sterilisering och förvaring. InstruSafe®-kassetter/tråg för instrumentskyddssystem används för att organisera och skydda andra medicinska apparater som steriliseras av en vårdgivare. InstruSafe-kassetter i instrumentskyddssystemet är avsedda att möjliggöra sterilisering av de medföljande medicinska apparaterna under följande steriliseringscykler:

- Förvakuumånga (ISO 17665-1 och EN 285)
- Etylenoxid (ISO 11135)
- Validerad lågtemperatursterilisering, (ISO 14937) dvs.
 - STERRAD® 100S Standard (kort) ▪ STERIS® AMSCO® V-PRO 1®, V-PRO 1 Plus, V-PRO maX och V-PRO maX 2
 - STERRAD® 100NX® Express, Standard, och Flex ▪ Sterizone® VP4
 - STERRAD® NX® Standard

Kassetter för instrumentskyddssystem/tråg är inte avsedda att själva upprätthålla sterilitet. InstruSafe-assembler/tråg i instrumentskyddssystem är avsedda att användas tillsammans med ett svep som uppfyller lagenliga marknadskrav, styva Aesculap®-behållare eller styva Genesis™-behållare.

InstruSafe steriliseringsbehållare har validerats för användning med InstruSafe kassetter/tråg för instrumentskyddssystem, (förvakuum, 132 °C (270 °F), 4 minuters ångsteriliseringscykel endast) under 510(k) K180528. Se användarinstruktionerna för InstruSafe® steriliseringsbehållaren för mer information.

En fullständig lista över apparatmodeller finns i Bilaga A, som hittas på www.instrusafe.com/ifus.

BESKRIVNING AV APPARAT

Instrumentskyddssystemen är kassetter/tråg som används för att omsluta och hålla kirurgiska instrument och instrumenttillbehör på ett organiserat sätt under steriliseringsprocessen och efterföljande lagring samt transport. Kassetterna/trågen har ingen direkt kontakt med patienten. Kassetterna/trågen i sig upprätthåller inte sterilitet. Kassetterna/trågen har olika storlekar med samma grundkonfiguration: en rektangulär bas med spärrbart lock. Kassetterna/trågen har perforeringar för att möjliggöra penetrerande sterilisering. Kassetterna/trågen innehåller silikoninsatser i basen och/eller höljet för att hålla, organisera och skydda de kirurgiska instrumenten i kassetten/tråget under steriliseringsprocessen och efterföljande lagring och transport.

AVSEDD ANVÄNDARE

Kassetter/tråg för instrumentskyddssystem är avsedda att användas av hälso- och sjukvårdspersonal i operationssalar och på steriliseringsavdelningar för transport, sterilisering och förvaring av medicinska apparater.

BEGRÄNSNING AV BEHANDLINGEN

1. Slutet på den användbara tiden för skyddssystem är minst 25 steriliseringscykler. Kontrollera tråget före användning för slitage och skador orsakade av användning. Avbryt användningen om det finns synliga tecken på slitage, inklusive korrosion, mekaniska fel, sprickbildning, avskalning, flagning, trasiga svetsar, skadade fötter, skadade spärrar, skadade Hold-Its®/Hold-Downs, missfärgning osv.
2. Se **tabell 2** för steriliseringsmetoder och konfigurationer.
3. **ÖVERBELASTA INTE** systemen eller delar.
4. **ÖVERBELASTA INTE** enskilda Hold-Its fickor. Ladda endast ett instrument per Hold-Its ficka.
5. För användare av styva behållare: **SVEP INTE OM** systemen eller komponenterna och placera dem inuti behållaren vid sterilisering.
6. På insidan av sterilisator, **STAPLA INTE** individuella inlindade eller inneslutna InstruSafe-systemen eller komponenter. Separera de inlindade eller inneslutna InstruSafe-systemen eller komponenter från varandra eller andra föremål i separata hyllor på sterilisatorn för att möjliggöra maximalt steriliseringsflöde.
7. Användningen av icke-absorberande trågfoder (t.ex. fingerförsedd organiseringsmatta av silikon) kan orsaka kondens till poolen. Om det syns fukt, sterilisera igen med en längre torktid.
8. Behållarsystemets totala vikt (t.ex. behållare, tråg och instrumentbelastning) får inte överstiga 11,34 kg (25 pounds).
9. Instrument (t.ex. endoskop och instrument med lumen eller kanaler) bör förberedas och steriliseras enligt instrumenttillverkarens instruktioner.
10. Det är den person som utför bearbetningen som ansvarar för att upprätthålla de specifika godkännanden som används under den slutliga steriliseringsprocessen. Dessa godkännanden avser konfigurationerna av instrumenten och behållarna som innefattas i steriliseringsprocessen.
11. Konsultera användarinstruktionerna från sterilisatorns tillverkare angående ytterligare begränsningar (t.ex. begränsningar avseende mått eller vikt).

VARNINGAR

- För aluminium i systemen, använd endast neutralt rengöringsmedel för pH (6,0 - 8,5) för att undvika skador på ytan. Ett tvättmedel med ett mycket surt eller mycket alkaliskt pH kan permanent skada den anodiserade aluminiumytan på kassetten och metallkomponenterna.
- Får inte användas om förpackningen är skadad eller oavsiktligt öppnad före användning.

Observera: Rengör och inspektera kassetter enligt anvisningarna som anges innan de tas i bruk.

ALLMÄNNA FÖRSIKTIGHETER

- Personal bör bära alla personliga skyddskläder och utrustning enligt vad som krävs av arbetsgivarens/avdelningens arbetsrutiner för den föroreningsnivå de kommer att utsättas för.
- Håll olika metaller separerade under sterilisering för att förhindra korrosion.

ANVÄNDNINGOMRÅDE

Avlägsna grov smuts med engångsduk/pappersservett. Förorenade komponenter ska hållas fuktiga tills de kvalificerade rengöringsprocesserna kan tillämpas.

RENGÖRING

Se instrumenttillverkarens bruksanvisning för specifika instruktioner vid rengöring av instrumenten i kassetterna.

Det rekommenderas att använda ett av följande godkända rengöringsalternativ för att rengöra kassetten/tråget.

Använd endast neutrala pH (6,0 - 8,5) lösningar fria från natriumkarbonat för att undvika att skada på aluminiumkassetters ytor.

Använd **INTE** skurlappar eller slipande rengöringsmedel. Förvara **INTE** kassetten i vätska.

1. Manuell grovsanering:

- A. Material som behövs: Neutralt pH (6,0 - 8,5) enzymtvättmedel, mjuk borste och rinnande vatten.
- B. Ta bort all synlig smuts och föroreningar med en mjuk borste. Hela kassetten ska nedsänkas under rengöring, för att underlätta avlägsnande av föroreningar och för att minska stänk av tvättmedel på personal i minst 2 minuter.
- C. Skölj noggrant i minst 1 minut med rent vatten för att ta bort allt tvättmedel. Se sköljinstruktioner på tvättmedels -etiketten.

2. Ultraljudsrengöring:

- A. Förbered enzymtvätt i en ultraljudsrengöringsapparat.
- B. Placera en enda kassett i tvättmedlet och kör i minst tio minuter.
- C. Skölj i minst 2 minuter med kallt kranvatten.
- D. Inspektera kassetten visuellt för föroreningar. Upprepa cykeln om det behövs för att ta bort synliga föroreningar.

3. Automatisk tvättmaskin:

Instrumentskyddssystem har godkänts för den automatiska tvättssystemcykel som anges i **tabell 1**. Kvalificeringen av specifika parametrar kommer att behöva göras av den som utför bearbetningen.

Tabell 1

CYKEL	VATTENTEMPERATUR	RENGÖRINGSPROCESS
Förtvätt 1 och 2	Kallt kranvatten	Återcirkulationstid: 2 minuter
Enzymtvätt	Hett kranvatten	Blötläggningstid: 4 minuter
Tvätt 1	Uppvärmad till 65,5°C (150°F)	Återcirkulationstid: 15 minuter
Avsköljning 1 och 2	Hett kranvatten	Återcirkulationstid: 5 minuter

Observera: Efter avslutad automatisk tvättcykel ska du inspektera system (kassett och tillbehör) för återstående synlig smuts. All synlig smuts måste avlägsnas genom handrengöring, borstning, ultraljud eller ytterligare automatiska cykler innan de skickas till sterilisering.

DESINFEKTION

InstruSafe-systemen är avsedda att steriliseras termiskt.

UNDERHÅLL, INSPEKTION OCH TESTNING

Systemet kan återanvändas tills oacceptabel försämring som korrosion, sprickbildning, rost, skalning, flagning, missfärgning eller mekaniskt fel uppstår.

Tecken på mekanisk fel inkluderar:

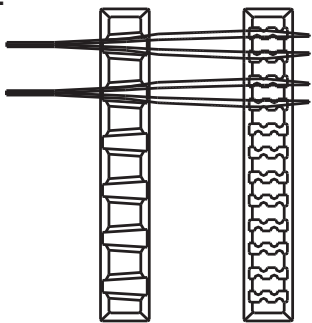
- Trasiga eller spruckna hörn eller svetsar
- Trasiga eller icke-fungerande spärrar
- Saknade, rivna eller klippta silikoninsatser
- Saknade eller skadade fötter

HOPSÄTTNING

1. Placera instrumenten i de förutbestämda hållarna eller området definierat av lokaliseringsstolparna så att alla instrumentytor utsätts för steriliseringsmedel. Se **Figur A**. Se till att bara ett instrument finns i varje kortplats. Demontera eller öppna alla delar av instrumentet när det är möjligt enligt instrumenttillverkarens instruktioner.

Överbelasta INTE hållare eller överskrida viktgränser för kassetter. Se bilaga A.

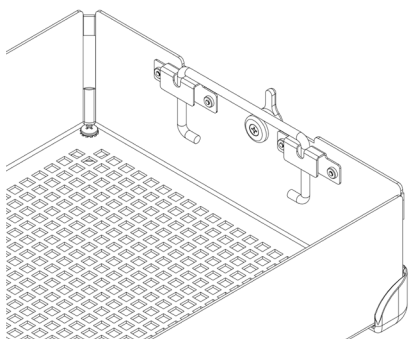
Figur A.



Observera: Instrument (t.ex. endoskop och instrument med lumen eller kanaler) bör förberedas och steriliseras enligt instrumenttillverkarens bruksanvisning.

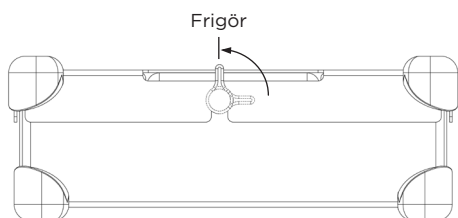
2. Se till att handtagen är placerade inuti kassetten (infällt läge). Visas i **Figur B**.

Figur B.



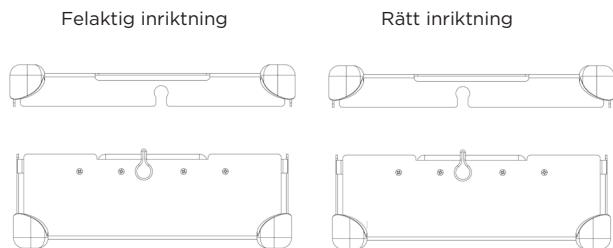
3. Placera kassettkåpan på kassettfoten och se till att spärrarna är korrekt placerade med spärrhålet på kassettkåpan och stäng sedan spärren. Se **Figur C**.

Figur C.



Observera: Spärrarna är förskjutna så att kassettfoten alltid stämmer ordentligt med basen. Detta säkerställer att hållarna står i linje när locket är säkrat. Se **Figur D** för korrekt anpassning. **Tvinga INTE kassettluckan på kassetunderlaget eftersom det kan skada instrument och kassetten.**

Figur D.



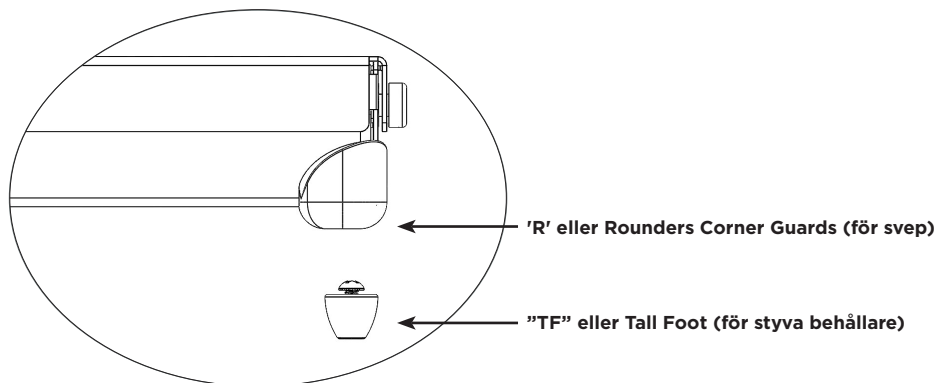
FÖRPACKNING

InstruSafe-systemen kan förpackas med ett lagligt marknadsfört svep eller placeras i en lagligt marknadsförd styv behållare. Se indikationerna för användning som finns i användarinstruktionerna.

Använd med svep:

1. Innan du packar in kassetten, se till att den har rätt fotform. R bör användas med svep. Se **Figur F**.

Figur F.



2. Packa in kassetten genom ett lagligt marknadsfört svep och enligt anvisningarna från tillverkaren.

3. Sterilisera förpackningen genom en av de steriliseringscykler som anges i användarinstruktionerna.

Användning med styv behållare:

Se indikationerna för användning som finns i användarinstruktionerna.

1. Innan du placerar kassetten i en styv behållare, se till att den har rätt fotform. TF bör användas med en styv behållare. Se **Figur F**.

2. Placera kassetten i den styva behållaren. Följ containertillverkarens instruktioner för tätning av behållaren.

Observera: Förpacka inte kassetterna innan de placeras i behållaren för sterilisering.

3. Sterilisera behållaren och innehållet med en av de steriliseringscykler som anges i användarinstruktionerna.

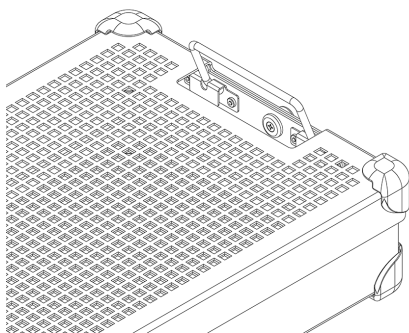
Ytterligare information:

För att ta bort kassetten från en styv behållare aseptiskt följer du tillverkarens användarinstruktioner.

1. Placera handflatorna utåt med handskar på händerna och sträck ut genom öppningarna i kassetlocket.

2. Ta tag i kassetthandtagen och lyft till sitt upphöjda läge. Se **Figur G**.

Figur G.



3. Luta handtagen inåt, bort från sidorna på den styva behållaren, och lyft kassetten ur behållaren och se till att inte beröra toppen eller utsidan av behållaren.

4. Placera kassetten på en steril yta.

STERILISERING

Se **Tabell 2** för de steriliseringsparametrar som godkänts för sterilisering av systemen.

Tabell 2.

STERILISERINGSMETOD	CYKEL (tider)
Förvacuumånga	Parameter: Temperatur 132 °C (270 °F) Exponeringstid 4 minuter Torktid 30 minuter
Etylenoxid (EO)	Förkonditionering: Temperatur 55 °C (131 °F) Relativ fuktighet 70 ± 15 % Förkonditioneringstid 1 timme Sterilisering: Exponeringstid 120 minuter Temperatur 55 °C (131 °F) Luftningstid 12 timmar
STERRAD 100S	<i>Standard</i>
STERRAD 100NX	<i>Standard, Express, Flex</i>
STERRAD NX	<i>Standard</i>
STERIS AMSCO V-PRO 1	<i>Standard</i>
STERIS AMSCO V-PRO 1 PLUS	<i>Lumen, Icke-Lumen</i>
STERIS AMSCO V-PRO maX	<i>Lumen, Icke-Lumen</i>
STERIS AMSCO V-PRO maX 2	<i>Lumen, Icke-Lumen</i>
Sterizone VP4	<i>Cykel 1</i>

Summit Medical har godkänt följande steriliseringsmetoder:

- Den 4 minuter långa steriliseringscykeln med autoklav i lagligt marknadsfört svep, InstruSafe steriliseringsbehållare, styv Aesculap-behållare eller Genesis styv behållare godkänd av FDA. Under K180528 validerades InstruSafe-steriliseringsbehållaren för användning med InstruSafe kassetter/tråg för instrumentskyddssystem.
- Etenoxid (EO) steriliseringscykel i lagligt marknadsfört svep eller en Genesis steril behållare godkänd av FDA.
- STERRAD 100S Standard-steriliseringscykel i lagligt marknadsfört svep eller en styv Aesculap-behållare godkänd av FDA.
- STERRAD 100NX Standard-steriliseringscykel i lagligt marknadsfört svep eller en styv Aesculap-behållare godkänd av FDA.
- STERRAD 100NX Express-steriliseringscykeln i lagligt marknadsfört svep godkänd av FDA.
- STERRAD 100NX Flex-steriliseringscykeln i lagligt marknadsfört svep eller en styv Aesculap-behållare godkänd av FDA.
- STERRAD NX Standard-steriliseringscykel i lagligt marknadsfört svep eller en styv Aesculap-behållare godkänd av FDA.
- STERIS AMSCO V-PRO 1, V-PRO 1 PLUS, V-PRO maX- och V-PRO maX 2-steriliseringscykler i svep som uppfyller lagenliga marknadskrav och en styv Aesculap-behållare godkänd av FDA.
- Sterizone VP4 steriliseringscykel i lagligt marknadsfört svep och en styv Aesculap-behållare godkänd av FDA.

Överskrid **INTE** lastkapaciteten för den sterila behållaren som anges av tillverkaren.

Använd ett FDA-godkänt tillbehör för att upprätthålla sterilitet.

Se bruksanvisningen för sterilisatoren för att se till att avsedda laster är kompatibla med den avsedda steriliseringscykeln.

Se behållarens bruksanvisning för att säkerställa att den avsedda lasten är kompatibel med FDA-godkända laster för behållare.

INDIKATIONER FÖR ANVÄNDNING

4 minuters ånga, svep & styv Aesculap®-behållare

InstruSafe® kassetter för instrumentskyddssystem används för att organisera och skydda annan medicinsk utrustning som är steriliserad av en vårdgivare. Skyddssystemkassetter är avsedda för InstruSafe instrument för att möjliggöra sterilisering av de medföljande medicintekniska produkterna under en ångsteriliseringscykel före vakuum. Skyddssystemkassetter är avsedda för InstruSafe instrument för att användas tillsammans med ett svep som uppfyller lagenliga marknadskrav eller med en styv Aesculap-behållare. Kassetter för instrumentskyddssystem är inte avsedda att själva upprätthålla sterilitet.

Steriliseringsparametrar för autoklav	
Cykel	För-vacuum
Temperatur	132 °C (270 °F)
Exponeringstid	4 minuter
Kortaste torktid	30 minuter
Summit-kassetmodell	Aesculap-behållarmodell
IN-8823-AE	*JN444
IN-2880	*JK444
IN-6105	*JN742
<i>*Godkänd av Summit Medical för användning i ångsterilisatorer före vakuum som ENDAST fungerar vid 132 °C (270 °F) under 4 minuters exponeringstid. Se behållarens instruktioner för att se till att innehållet inte överskrider steriliseringsbehållarens avsedda belastningskrav.</i>	

Lumen kräver 4 minuters cykel för-vakuum ångsterilisering			
Summit-kassetmodell	Minsta innerdiameter	Maximal längd	Antal lumen
IN-8823-CF	3 mm	400 mm	4
IN-8823-CF	3 mm	200 mm	2
IN-2880	1 mm	76 mm	2
IN-2880	3 mm	177 mm	1
IN-6105	5 mm	241 mm	1
IN-2681	1 mm	65 mm	1
IN-2681	3 mm	200 mm	1
IN-7823	1 mm	400 mm	17

4 minuters ånga, Genesis™ styv behållare

InstruSafe® kassetter för instrumentskyddssystem används för att organisera och skydda annan medicinsk utrustning som är steriliserad av en vårdgivare. **Skyddssystemkassetter är avsedda för** InstruSafe instrument för att möjliggöra sterilisering av de medföljande medicintekniska produkterna under en ångsteriliseringscykel före vakuum. Skyddssystemkassetter är avsedda för InstruSafe instrument för att användas i samband med lagenligt marknadsförda Genesis styva behållare. Kassetter för instrumentskyddssystem är inte avsedda att själva upprätthålla sterilitet. En komplett lista över apparatmodeller i bilaga A.

Lumen kräver 4 minuters cykel förvakuum ångsterilisering			
Summit-kassetmodell	Minsta innerdiameter	Maximal längd	Antal lumen
IN-2681	1 mm	65 mm	1
IN-2681	3 mm	200 mm	1
IN-6105	5 mm	241 mm	1
IN-0000	1 mm	400 mm	5
	3 mm	400 mm	1
	5 mm	400 mm	1

INDIKATIONER FÖR ANVÄNDNING (fortsättning)

8 minuters ånga och etylenoxid (EO), svep och Genesis™ styv behållare

Skyddssystemkassetter är avsedda för InstruSafe® instrument för att organisera och skydda andra medicintekniska produkter som steriliseras av en vårdgivare. InstruSafe systemkassetter är avsedda att möjliggöra sterilisering av de medföljande medicintekniska produkterna under förvakuumånga eller steriliseringscykler med etylenoxid. InstruSafe systemkassetter är avsedda att användas i samband med centralt lagenligt marknadsfört svep eller med en Genesis styv behållare. InstruSafe systemkassetter är inte avsedda att självständigt upprätthålla sterilitet.

Steriliseringsmetoder och konfigurationer

Ånga 8 minuters förkonditionering vid 132 °C	
140 räknat vävt svep	10 minuter torktid
Icke-vävt svep (Kimberly Clark)	50 minuter torktid
Genesis behållare (referens Tabell 1 för filterpapper att använda)	30 minuter torktid

Etylenoxid (EO)
<ul style="list-style-type: none">1 timmes förkonditionering vid 55 °C (131 °F) med relativ fuktighet på 70 ± 15 %2 timmars exponering vid 55 °C (131 °F)12 timmar luftning

Genesis behållare	Genesis behållarfiltreringspapper
CD2-4B	FX3-1: 9x9"
CD2-5B	FX3-1: 9x9"
CD3-4B	FX3-1: 9x9"
CD3-5B	FX3-1: 9x9"
CD3-6B	FX3-1: 9x9"
CD3-7B	FX3-1: 9x9"
CD4-5B	FO3-2: 9x6"
CD5-61B	FO3-2: 9x6"
CD6-6B	FX3-1: 9x9"

Se V. Mueller Genesis Sterilizer Containersystem Användarens instruktioner när du använder någon Genesis behållare.

STERRAD® 100S & STERRAD® 100NX® Standard-cykler, svep & styv Aesculap® behållare

InstruSafe® kassetter för instrumentskyddssystem används för att organisera och skydda annan medicinsk utrustning som är steriliserad av en vårdgivare. Skyddssystemkassetter är avsedda för InstruSafe instrument för att möjliggöra sterilisering av de medföljande medicintekniska produkterna under en Sterrad 100S Standard och Sterrad 100NX standardsteriliseringscykel. Skyddssystemkassetter är avsedda för InstruSafe instrument för att användas tillsammans med ett svep som uppfyller lagenliga marknadskrav eller med en styv Aesculap-behållare. InstruSafe-kassetter för instrumentskyddssystem är inte avsedda att själva upprätthålla sterilitet. En komplett lista över apparatmodeller i bilaga A.

Följande steriliseringstråg godkändes med motsvarande styva behållare:

STERRAD 100S Standard cykel	
Kassetmodell	Aesculap-behållarmodell
IN-8823-AE	*JM444
IN-6105	*JM440

STERRAD 100NX Standard cykel	
Summit-kassetmodell	Aesculap-behållarmodell
IN-8823-AE	*JM444
IN-6105	*JM440

*Godkänd av Summit Medical för användning i STERRAD 100S Standard cykel och ENDAST STERRAD 100NX Standard-cykel. Se behållarens instruktioner för att se till att innehållet inte överskrider steriliseringsbehållarens avsedda belastningskrav.

Lumenkrav för STERRAD 100S Standard och STERRAD 100NX Standard cykler	
4 rostfria ställumen med 3 mm inre diameter x 400 mm längd	Alla modeller med lämplig storlek anges i bilaga A undantaget IN-2681.
2 rostfria ställumen med 3 mm inre diameter x 200 mm längd	
1 rostfri ställumen med 3 mm inre diameter x 200 mm längd	IN-2681
1 rostfri ställumen med 1mm inre diameter x 65 mm längd	

INDIKATIONER FÖR ANVÄNDNING (fortsättning)

STERRAD® NX® Standard-cykel, svep & styv Aesculap® styv behållare

InstruSafe® kassetter för instrumentskyddssystem används för att organisera och skydda annan medicinsk utrustning som är steriliserad av en vårdgivare. Skyddssystemkassetter är avsedda för InstruSafe instrument för att möjliggöra sterilisering av de medföljande medicintekniska produkterna under en Sterrad NX Standard steriliseringscykel. Skyddssystemkassetter är avsedda för InstruSafe instrument för att användas tillsammans med ett svep som uppfyller lagenliga marknadskrav eller med en styv Aesculap-behållare. InstruSafe-kassetter för instrumentskyddssystem är inte avsedda att själva upprätthålla sterilitet. En komplett lista över apparatmodeller i bilaga A.

Steriliseringsmetoder och konfigurationer
- Sterrad NX Standard steriliseringscykel

Lumenkrav för STERRAD NX Standard steriliseringscykel			
Summit-kassetmodell	Minsta innerdiameter	Maximal längd	Antal lumen
IN-2681	1 mm	65 mm	1
IN-2681	3 mm	200 mm	1
IN-8987-S	1 mm	500 mm	5
IN-8615	2,3 mm	210 mm	5
IN-6105	4 mm	235 mm	1

Observera: Den i värsta fallet godkända belastningen baserat på beräkningen av luft till volym är IN-2681-tråget.

STERRAD® 100NX® Express-cykel, svep

InstruSafe® kassetter för instrumentskyddssystem används för att organisera och skydda annan medicinsk utrustning som är steriliserad av en vårdgivare. Skyddssystemkassetter är avsedda för InstruSafe instrument för att möjliggöra sterilisering av de medföljande medicintekniska produkterna under en Sterrad® 100NX Express cykel. Skyddssystemkassetter är avsedda för InstruSafe instrument för att användas tillsammans med ett lagenligt marknadsfört svep. InstruSafe-kassetter för instrumentskyddssystem är inte avsedda att själva upprätthålla sterilitet. Skyddssystemkassetter är avsedda för InstruSafe instrument har inga lumenkrav för Sterrad 100NX Express cykel.

STERRAD® 100NX® Flex-steriliseringscykel, svep & styv Aesculap®-behållare

InstruSafe® kassetter för instrumentskyddssystem används för att organisera och skydda annan medicinsk utrustning som är steriliserad av en vårdgivare. Skyddssystemkassetter är avsedda för InstruSafe instrument för att möjliggöra sterilisering av de medföljande medicintekniska produkterna under en Sterrad 100NX Flex steriliseringscykel. Skyddssystemkassetter är avsedda för InstruSafe instrument för att användas tillsammans med ett svep som uppfyller lagenliga marknadskrav eller med en styv Aesculap-behållare. InstruSafe-kassetter för instrumentskyddssystem är inte avsedda att själva upprätthålla sterilitet. En komplett lista över apparatmodeller i bilaga A.

STERRAD 100NX Flex steriliseringscykel	
Summit-kassetmodell	Aesculap-behållarmodell
IN-0000	*JM440
IN-6105	*JM440

**Godkänd av Summit Medical för användning i STERRAD 100NX Flex och ENDAST steriliseringscykel. Se behållarens instruktioner för att se till att innehållet inte överskrider steriliseringsbehållarens avsedda belastningskrav.*

Lumenkrav för STERRAD 100NX Flex steriliseringscykel				
Summit-kassetmodell	Minsta innerdiameter	Maximal längd	Antal lumen	Svep/Styv Behållare
IN-0000	1 mm	850 mm	1	Svep + styv behållare
IN-8823	1 mm	850 mm	1	Svep + styv behållare
IN-7344	1 mm	850 mm	1	Svep
IN-6105	4 mm	235 mm	1	Svep + styv behållare

Den i värsta fallet godkända belastningen baserat på beräkningen av luft till volym är IN-0000-tråget.

Observera: IN-0000-tråget är endast för teständamål.

INDIKATIONER FÖR ANVÄNDNING (fortsättning)

AMSCO® V-PRO®-steriliseringscykel vid låg temperatur, svep och styv Aesculap®-behållare

InstruSafe®-kassetter för instrumentskyddssystem används för att organisera och skydda andra medicinska apparater som steriliseras av en vårdgivare. Instru-Safe-kassetter för instrumentskydd är avsedda att möjliggöra sterilisering av de medföljande medicinska apparaterna under Amsco V-PRO steriliseringscykler vid låg temperatur. InstruSafe-kassetter för instrumentskyddssystem är avsedda att användas tillsammans med ett svep som uppfyller lagenliga marknadskrav eller med en styv Aesculap-behållare. InstruSafe-kassetter för instrumentskyddssystem är inte avsedda att själva upprätthålla sterilitet. En komplett lista över apparatmodeller i Bilaga A.

AMSCO V-PRO lågtemperatursteriliseringssystem			
Sterilisator	Standardcykel	Lumencykel	Icke-Lumencykel
V-PRO 1	X	N/A	N/A
V-PRO 1 PLUS	N/A	X	X
V-PRO maX	N/A	X	X
V-PRO maX 2	N/A	X	X
Summit-kassetmodell		Aesculap-behållarmodell	
IN-8823		*JM444	
IN-6105		*JM742	

**Godkänd endast för användning i AMSCO V-PRO lågtemperatursteriliseringssystem. När du använder Aesculap-behållare som steril barriär, bör lasten (-tråg och innehållet) inte överskrida lastkraven för behållarens vikt eller lasttyp.*

Lumenstorleken på godkänd instrumentering inkluderar:			
Summit-kassetmodell	Minsta innerdiameter	Maximal längd	Antal lumen
IN-8823	3 mm	400 mm	2
IN-6105	3 mm	200 mm	1
IN-2681	1 mm	64 mm	1

Observera: Den i värsta fallet godkända belastningen baserat på beräkningen av luft till volym är IN-2681-tråget.

INDIKATIONER FÖR ANVÄNDNING (fortsättning)

VP4 Sterizone, svep och styv Aesculap®- behållare

Skyddssystemkassetter är avsedda för InstruSafe® instrument för att organisera och skydda andra medicintekniska produkter som steriliseras av en vårdgivare. InstruSafe® kassetter för instrumentskyddssystem är avsedda att möjliggöra sterilisering av de medföljande medicintekniska produkterna under STERIZONE VP4 steriliseringscykel 1. InstruSafe-kassetter för instrumentskyddssystem är avsedda att användas tillsammans med ett svep som uppfyller lagenliga marknadskrav eller med en styv Aesculap-behållare. InstruSafe-kassetter för instrumentskyddssystem är inte avsedda att själva upprätthålla sterilitet.

Summit Medical har validerat användningen av InstruSafe-kassetter för instrumentskyddssystem i cykel 1 för STERIZONE VP4 sterilisator genom demonstrationer av steriliseringseffektivitet genom representativa prov av medicinsk utrustning inklusive allmänna instrument, styva och halvstyva instrument med håligheter, och flexibla endoskop. Valideringen gav information som används för att fastställa designgränser som tillämpats över området för InstruSafe kassetter för instrumentskyddssystem för att säkerställa att alla modeller faller inom de validerade gränserna för kassetternas ventilation, invändiga hyllor och vikt:

- Minimalt förhållande ventilation till volym, allmänna instrument: 0,073
- Minimalt förhållande ventilation till volym, flexibla endoskop: 0,263
- Maximalt antal invändiga hyllor: Två (2)
- Maximal kassettvikt (inklusive innehåll): 25 lbs/kassett

Se tabellen nedan för validerade belastningar vid användning av InstruSafe kassetter för instrumentskyddssystem.

Se användarinstruktionerna från sterilisatorns tillverkare för att säkerställa att belastningarna inte överskrider sterilisatorns angivna gränser.

Beskrivning av belastning av InstruSafe instrumentskyddssystem.

Representativt för STERIZONE® VP4 sterilisator validering belastning nr (K190260)	Summit Medical-valideringsbelastningsbeskrivning	Total belastningsvikt (Exkluderar belastningsracken för 25 lbs)
4	<p>Belastning 4a: Bestod av belastningsgränsen för styva och halvstyva instrument med kanaler:</p> <ul style="list-style-type: none"> • Tre (3) dubbelkanaliga halvstyva endoskop (ureteroskop – 0,7 mm × 500 mm och 1,1 mm × 500 mm) förpackades, en (1) per kassett, i tre (3) IN 7323-R kassetter. • Ytterligare styva instrument med kanaler lades till upp till totalt 15 kanaler. <p>Varje kassett inkluderade lämpliga silikonhållare och de var svepta.</p> <p>Belastning 4b: Bestod av belastningsgränsen för styva och halvstyva instrument med kanaler:</p> <ul style="list-style-type: none"> • Tre (3) dubbelkanaliga halvstyva endoskop (ureteroskop – 0,7 mm × 400 mm och 1,1 mm × 400 mm) förpackades, en (1) per kassett, i tre (3) IN-0007-TF kassetter. • Ytterligare styva instrument med kanaler lades till upp till totalt 15 kanaler. <p>Varje kassett inkluderade lämpliga silikonhållare för instrument och placerades i en Aesculap JM440 styv behållare.</p>	<p>Belastning 4a = 5 lbs/kassett, 15 lbs totalt</p> <p>Belastning 4b = 11 lbs/kassett, 33 lbs totalt</p>
7	<p>Summit Medical-valideringsbelastning 7a: Bestod av gränsen för belastningsvikt för allmänna medicinska instrument som representerar följande geometrier:</p> <ul style="list-style-type: none"> • Lådlåsgångjärn • Svänggångjärn • Luer-koppling <p>Allmänna medicinska instrument spreds över tre (3) IN-7323-R kassetter med lämpliga silikonhållare, vardera vägde 25 lbs. Kassetterna sveptes in.</p> <p>Summit Medical Validering Belastning 7b: Bestod av gränsen för belastningsvikt för allmänna medicinska instrument som representerar följande geometrier:</p> <ul style="list-style-type: none"> • Lådlåsgångjärn • Svänggångjärn • Luer-koppling <p>Allmänna medicinska instrument spreds över tre (3) IN-0006-TF kassetter med lämpliga silikonhållare. Kassetter placerades i Aesculap JM440 behållare, var och en vägde 25 lbs.</p>	<p>Belastning 7a = 25 lbs/kassett, 75 lbs totalt</p> <p>Belastning 7b = 25 lbs/kassett, 75 lbs totalt</p>
8	<p>Summit Medical-valideringsbelastning 8a: Bestående av belastningsgränsen på totalt fem (5) flexibla endoskopkanaler i svepta kassetter:</p> <ul style="list-style-type: none"> • Två (2) dubbelkanaliga flexibla endoskop (ureteroskop – 1 mm x 850 mm och 1 mm x 989 mm) förpackades, en (1) per kassett, i IN-0003-R kassetter. • Ett (1) enkanaligt flexibelt endoskop (ureteroskop – 1 mm x 850 mm) förpackades i en IN-0004-R kassett. <p>Kassetterna inkluderade lämpliga silikonhållare och de var svepta.</p> <p>Summit Medical-valideringsbelastning 8b: Bestod av belastningsgränsen på totalt fyra (4) flexibla endoskopkanaler i kassetter förpackade i styva behållare:</p> <ul style="list-style-type: none"> • Två (2) dubbelkanaliga flexibla endoskop (ureteroskop – 1 mm x 850 mm och 1 mm x 989 mm) förpackades, en (1) per kassett, i IN-0003-TF kassetter med lämpliga silikonhållare. <p>Varje kassett placerades inuti en Aesculap JM442 behållare.</p>	<p>Belastning 8a = 4,3 lbs/kassett, 13 lbs totalt</p> <p>Belastning 8b = 8,3 lbs/kassett, 25 lbs totalt</p>

FÖRVARING

Förvara slutligen sterila kassetter som är svepta eller förpackade på lagringshyllan i ett horisontellt läge. Kontakta svep- eller behållartillverkaren för information om hållbarhet.

KASSERING

I händelse av att instrumentskyddssystemen inte godkänns vid inspektionen före användning eller på annat sätt bedöms att inte längre vara lämpliga att användas, ska apparaterna kasseras i enlighet med lokalt protokoll. Kasseringsmetoden beror på den potentiella risk för korskontaminering och infektion som finns när behovet av kassering identifieras.

RAPPORTERING AV ALLVARLIGT TILLBUD

Varje allvarligt tillbud som uppstår i relation till apparaten ska rapporteras till tillverkaren och FDA/behörig myndighet i medlemslandet som användaren och/eller patienten är etablerad i.

GARANTI

BEGRÄNSAD GARANTI FÖR SUMMIT MEDICAL INSTRUSAFE INSTRUMENTSKYDDSSYSTEM.

DENNA BEGRÄNSADE GARANTI OCH HJÄLP SOM UTFÖRS HÄR ÄR EXKLUSIV OCH I STÄLLET FÖR ÖVRIGA ANDRA UTTRYCKA GARANTIER OCH, OM INTE ANNAT ANGES HÄRINOM, ÄR ALLA UTTALANDEN ELLER REPRESENTATIONER GJORDA AV NÅGON ANNAN PERSON ELLER FIRMA UPPHÄVDA. VARNINGEN FÖR ALLA UNDERFÖRSTÅDDA GARANTIER FÖR SÄLJBARHET ELLER LÄMPLIGHET FÖR ETT SÄRSKILT SYFTE SKALL BEGRÄNSAS TILL VARAKTIGHETEN FÖR UTTRYCKT BEGRÄNSAD GARANTI. VARKEN SUMMIT MEDICAL ELLER DESS DOTTERBOLAG SKALL HÅLLAS SKYLDIG FÖR EVENTUELLA INCIDENTER, FÖLJDSKADOR ELLER SÄRSKILDA FÖRLUSTER ELLER SKADOR SOM RESULTAT AV ANVÄNDNING ELLER OFÖRMÅGA ATT ANVÄNDA INSTRUSAFE-SYSTEMET, OAVSETT GARANTIBROTT ELLER ANNAN JURIDISK TEORI.

Denna begränsade garanti ger dig specifika lagliga rättigheter, och du kan också ha andra rättigheter som varierar från stat till stat. Vissa stater tillåter inte begränsningar för hur länge en underförstådd garanti varar, eller tillåter inte utslutning eller begränsning av tillfälliga eller följdskador, så ovanstående begränsning eller undantag kanske inte gäller dig.

Vad som täcks. Summit Medical garanterar den ursprungliga köparen att InstruSafe-systemet som medföljer denna begränsade garanti överensstämmer med tillverkarens specifikationer och är fritt från brister i utförande och material under en period av 12 månader från datumet för det ursprungliga köpet. Om den ursprungliga köparen överför InstruSafe-systemet till en annan part kommer denna begränsade garanti inte att verkställas av den part till vilken produkten överförs.

Vad vi kommer att göra för att korrigera problem. Om ditt InstruSafe-systemen visar sig vara defekt under denna period måste du meddela Summit Medical eller en auktoriserad distributör eller återförsäljare av Summit Medical. Du måste tillåta Summit Medical eller dess företrädare att göra sådana utredningar, undersökningar och tester som Summit Medical anser vara lämpliga, och om du begär det kommer du att returnera produkten till fabriken på adressen som anges nedan. Summit Medicals enda skyldighet enligt denna begränsade garanti är, efter eget val, att reparera eller ersätta den defekta produkten eller produkterna, utan avgift för delar eller arbete. Porto, försäkring eller fraktkostnader som uppkommer när du presenterar din InstruSafe System-produkt för garantiservice är ditt ansvar.

Vad som inte täcks. Denna begränsade garanti är beroende av korrekt användning och underhåll av produkten; det täcker inte produkter som har skickats felaktigt, eller som har missbrukats, använts felaktigt, försumrats eller felaktigt underhållits, rengjorts eller lagrats eller som har utförts på annat sätt än av Summit Medical eller en auktoriserad distributör eller återförsäljare av Summit Medical eller att har ändrats utan uttryckligt godkännande av Summit Medical. Underlåtenhet att följa anvisningarna i bruksanvisningen kan utgöra felaktig användning eller underhåll av produkten och orsaka att denna begränsade garanti inte tillämpas. Denna garanti omfattar inte normalt slitage eller ersättningsartiklar.

Om du har frågor eller krav relaterade till denna garanti, kontakta:

Kundserviceavdelningen
Summit Medical
815 Vikings Parkway, Suite 100
St. Paul, MN 55121 | USA
www.instrusafe.com

TELEFON: 651-789-3939 | 888-229-2875
FAX: 651-789-3979 | 888-229-1941
e-post: customerservice@innoviamedical.com

Anvisningerne givet her er valideret af producenten af apparatet som værende i stand til at genbehandle genanvendelige medicinske enheder.

Individuelle sterilisationsapparater, renhed af instrument, særlig ilægning i instrumentbakker, typer og geometri på instrumenter, sterilisationsbeholdere, filtre og svøb varierer fra sted til sted.

LÆS DETTE AFSNIT, INDEN PRODUKTET TAGES I BRUG

TILTÆNKT ANVENDELSE/OVERSIGT OVER INDIKATIONER FOR BRUG

InstruSafe®-kassetter/-bakker til instrumentbeskyttelsessystemer er beregnet til at rumme og beskytte genanvendelige medicinske enheder under transport, sterilisering og opbevaring. InstruSafe®-kassetter/-bakker til instrumentbeskyttelsessystemet anvendes til at organisere og beskytte andre medicinske enheder, der steriliseres af sundhedspersonale. InstruSafe-instrumentbeskyttelsessystemets kassetter/bakker er beregnet til at muliggøre sterilisation af de omsluttede medicinske enheder under disse sterilisationscyklusser.

- Præ-vakuumdamp (ISO 17665-1 og EN 285)
- Ethylenoxid (ISO 11135)
- Valideret lavtemperatursterilisering, (ISO 14937) dvs.
 - STERRAD® 100S Standard (kort)
 - STERRAD® 100NX® Express, Standard og Flex
 - STERRAD® NX® Standard
 - STERIS® AMSCO® V-PRO 1®, V-PRO 1 Plus, V-PRO maX og V-PRO maX 2
 - Sterizone® VP4

InstruSafe-kassetter til instrumentbeskyttelsessystemet er ikke beregnet til alene at opretholde sterilitet. InstruSafe-instrumentbeskyttelsessystemets kassetter/bakker er beregnet til brug i tilknytning til et lovligt markedsført svøb, Aesculap® stive beholdere, eller Genesis™ stive beholdere.

InstruSafe-steriliseringsbeholdere er blevet valideret til brug med InstruSafe-kassetter/-bakker til instrumentbeskyttelsessystemet, (præ-vakuu, 132°C (270°F), kun 4-minuts dampsteriliseringscyklus) i henhold til 510(k) K180528. Se brugsanvisningen til InstruSafe®-steriliseringsbeholderen for at få flere oplysninger.

Der findes en fuld liste over enhedsmodeller i Bilag A, der kan ses på www.instrusafe.com/ifus.

PRODUKTBESKRIVELSE

Summit Medical InstruSafe Instrument Protection Systems er kassetter/bakker, der anvendes til at omslutte og holde kirurgiske instrumenter og instrumenttilbehør på en ordnet måde under sterilisationsprocessen og efterfølgende opbevaring og transport. Kassetterne/Bakkerne er ikke i direkte kontakt med patienter. Kassetterne/Bakkerne opretholder ikke i sig selv sterilitet. Kassetterne/Bakkerne er af forskellig størrelse med samme grundlæggende konfiguration: en rektangulær bund med låsbart låg. Kassetterne/Bakkerne har perforeringer, så sterilisationsmidlet kan trænge igennem. Kassetterne/Bakkerne indeholder silikoneindsatser i bunden og/eller i låget til fastholdelse, ordning og beskyttelse af kirurgiske instrumenter inde i kassetten/bakken under sterilisationsprocessen og efterfølgende opbevaring og transport.

TILTÆNKT BRUGER

InstruSafe®-instrumentbeskyttelsessystemet er beregnet til brug af sundhedspersonale på operationsstuen og i afdelingen for steril bearbejdning til transport, sterilisation og opbevaring af medicinske enheder.

BEGRÆNSNINGER I BEHANDLING

1. Afslutningen på InstruSafe Instrument Protection System's levetid er efter mindst 25 sterilisationscyklusser. Inspicer bakken før brug for slitage og beskadigelse forårsaget af brug. Indstil brugen, hvis der er synlige tegn på slitage, herunder korrosion, mekaniske fejl, revner, afskalning, flager, defekte svejsninger, beskadigede fødder, beskadigede låsepåler, beskadiget Hold-Its®/Hold-Downs, misfarvning, osv.
2. Se **Tablet 2** angående sterilisationsmetoder og -konfigurationer.
3. **OVERBELAST IKKE** InstruSafe Systems eller komponenterne.
4. **OVERBELAST IKKE** de enkelte Hold-its-riller. Der må kun isættes et instrument pr. Hold-its-rille.
5. For brugere af stive beholdere: **EMBALLER IKKE** InstruSafe-systemer eller -komponenter, og anbring dem inde i beholderen til sterilisation.
6. Inde i sterilisationsapparatet: **STABL IKKE** individuelt indpakkede InstruSafe Systems eller komponenter i beholder. Hold indpakkede InstruSafe Systems eller komponenter eller alle andre genstande adskilt på separate hylder i sterilisationsapparatet for at tillade maksimalt sterilisationsmiddel-flow.
7. Brugen af ikke-absorberende foringer i bakker (f.eks. silikone-fingret arrangeringsmåtte) kan forårsage at kondensat danner søer. Hvis der viser sig fugtighed, skal der gensteriliseres med en længere tørretid.
8. Den totale vægt på beholdersystemet (f.eks. beholder, bakke og vægten af de samlede instrumenter) må ikke overstige 11,34 kg (25 pund).
9. Instrumenter (f.eks. endoskoper og instrumenter med lumen eller kanaler) skal klargøres og steriliseres i henhold til instrumentproducentens anvisninger.
10. Det er behandlerens ansvar at opretholde specifikke valideringer for den endelige steriliseringsproces, der anvendes på de konfigurationer af instrumenter og beholdere, som anvendes til steriliseringsprocessen.
11. Se brugsanvisningen fra producenten af sterilisationsapparatet for at identificere yderligere begrænsninger (f.eks. i mål eller vægt).

ADVARSLER

- Til InstruSafe Systems af aluminium må der kun bruges sterilisationsmidler med neutralt pH (6,0 - 8,5) for at undgå at beskadige overfladen. Et rengøringsmiddel med en stærkt syrlig eller stærkt alkalisk pH kan beskadige den anodiserede aluminiumsoverflade på kassetten og metalkomponenter.
- Må ikke bruges, hvis emballagen er beskadiget eller uforvarende åbnet før brug.

Bemærk: Rengør og inspicer kassetter i henhold til anvisningerne, der er givet inden systemet er sat i drift.

GENERELLE FORHOLDSREGLER

- Personalet skal alle bære beskyttelsesbeklædning og udstyr som krævet iflg. deres arbejdsgiveres/afdelingsdriftsprocedurer for det kontamineringsniveau, de udsættes for.
- Hold forskellige metaller adskilt under sterilisationen for at forhindre korrosion.

BRUGSSTED

Fjern groft snavs med engangsklud/papirserviet. Kontaminerede komponenter skal holdes fugtige, indtil kvalificeret rengøringsprocesser kan anvendes.

RENGØRING

Se instrumentproducentens brugsanvisning for specifikke instruktioner til rengøring af instrumenterne i kassetterne.

Benyt en af følgende anbefalede, validerede rengøringsmuligheder til rengøring af kassetten/bakken.

Anvend kun opløsninger med neutral pH (6,0 - 8,5), som er fri for natriumkarbonat for at undgå at beskadige overfladen på aluminiumskassetterne.

BRUG IKKE skuresvampe eller slibende rengøringsmidler. Kassetten **må ikke** opbevares i væske.

1. Manuel grov-dekontamination

- A. Nødvendige materialer: Neutralt pH (6,0 - 8,5) enzymholdigt rengøringsmiddel, blød nylonbørste og rindende vand.
- B. Fjern alt synligt snavs og urenheder med en blød nylonbørste. Hele kassetten skal være neddyppet i mindst 2 minutter under rengøringen for lettere at få fjernet alle urenheder og for at minimere sprøjt af rengøringsmiddel på personalet.
- C. Skyl omhyggeligt i mindst 1 minut med rent vand for at fjerne alt rengøringsmidlet. Se skylningsanvisningen på rengøringsmidlets etiket.

2. Ultrasonisk rengøring:

- A. Klargør enzymvask i en ultrasonisk rengøringsenhed.
- B. Anbring en enkelt kassette i rengøringsmidlet, og kørs i mindst ti minutter.
- C. Skyl i mindst 2 minutter under koldt vand fra hanen.
- D. Inspicer kassetten visuelt for urenheder. Gentag cyklussen om nødvendigt for at fjerne synlig forurening.

3. Automatisk vaskemaskine:

InstruSafe-instrumentbeskyttelsessystemerne er valideret til den automatiske vaskesystemcyklus, der er anført i **tabel 1**. Kvalificering af specifikke parametre skal foretages af behandleren.

Tabel 1

CYKLUS	VANDTEMPERATUR	RENGØRINGSPROCES
Forvask 1 & 2	Koldt vand fra hanen	Recirkulationstid: 2 minutter
Enzymvask	Varmt vand fra hanen	lblødsætningstid 4 minutter
Vask 1	Opvarmet ved 150°F (65.5°C)	Recirkulationstid: 15 minutter
Skyll 1 & 2	Varmt vand fra hanen	Recirkulationstid: 5 minutter

Bemærk: Efter fuldendelsen af en automatisk cyklus skal man visuelt efterse InstruSafe System (kassette og tilbehør) for, om der er mere synlig snavs. Alt synlig snavs skal være fjernet vha. rengøring i hånden, børstning, ultrasonisk eller yderligere automatiske cyklusser, inden der gås videre til sterilisation.

DESINFEKTION

InstruSafe -systemer er beregnet til at blive endeligt steriliseret.

VEDLIGEHODELSE, INSPEKTION OG AFPRØVNING

InstruSafe-systemer kan genbruges, indtil uacceptabel forringelse i form af korrosion, revnedannelse, rust, afskalning, dannelse af flager, misfarvning eller mekanisk svigt opstår.

Tegn på mekanisk svigt er:

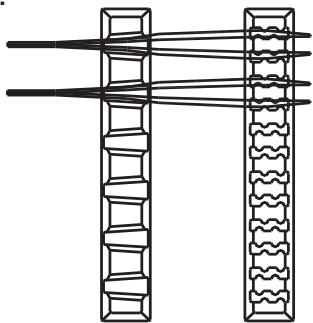
- Ødelagte eller revnede hjørner eller defekte svejsninger
- Ødelagte eller defekte låsepaler
- Manglende, iturevne eller skårede silikoneindsatser
- Manglende eller beskadigede fødder

SAMLING

1. Anbring instrumenterne i de dertil indrettede holdere eller det område, der er defineret af stilkene til anbringelse, så alle instrumenternes overflader bliver udsat for sterilisationsmidlet. Se **figur A**. Sørg for, at der kun er et instrument i hver rille. Hvor det er muligt skal alle dele af instrumenter adskilles eller åbnes ifølge instrumentproducentens anvisninger.

Holdere MÅ IKKE overbelastes, og kassetternes vægtbegrænsning må ikke overskrides. Se Tillæg A.

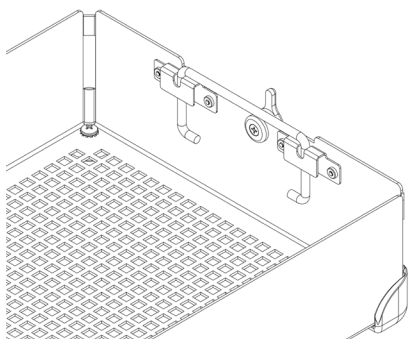
Figur A.



Bemærk: Instrumenter (f.eks. endoskoper og instrumenter med luminir eller kanaler) skal klargøres og steriliseres i henhold til instrumentproducentens brugsanvisning.

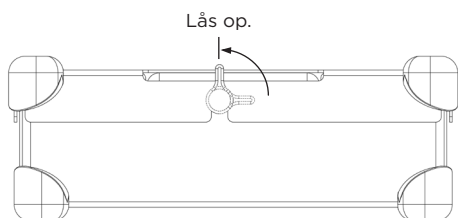
2. Sørg for, at håndtagene er anbragt inde i kassetten (tilbagetrukket position). Vist i **figur B**.

Figur B.



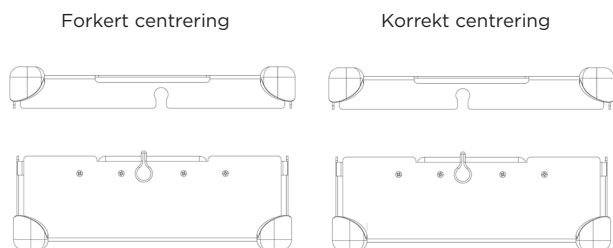
3. Anbring kassettelåget på kassetten, og sørg for, at låsepalerne er korrekt placeret i forhold til låserillen på kassettelåget, og luk dernæst låsepalerne. Se **figur C**.

Figur C.



Bemærk: Låsepalerne er forskudt, så kassettelåget altid passer korrekt til selve kassetten. Det sikrer, at holderne er centreret, når låget er låst. Se **figur D** mht. korrekt centring.
Brug ikke magt til at lukke låget på kassetten, da dette kan beskadige instrumenter og kassetten.

Figur D.



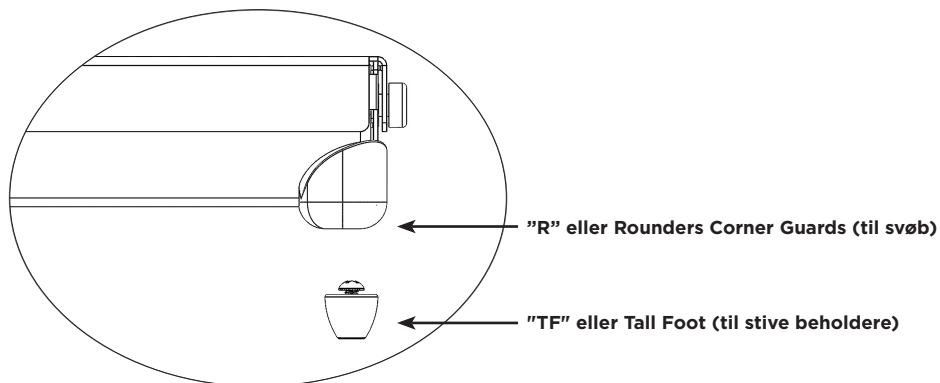
INDPAKNING

InstruSafe Systems kan svøbes i en lovlig markedsført indpakning eller anbringes i en lovlig markedsført stiv beholder. Se Indikationer for brug-oplysningerne i brugsanvisningen.

Anvendelse med svøb:

1. Inden kassetten indpakkes, skal det sikres, at dens fødder er indstillet korrekt. R skal bruges ved indpakning. Se **figur F**.

Figur F.



2. Indpak kassetten i lovligt markedsført svøb i henhold til anvisninger fra producenten af svøbet.

3. Steriliser pakken ved hjælp af en af de sterilisationscyklusser, der er angivet i brugsanvisningen.

Anvendelse med stiv beholder:

Se de Indikationer for brug-oplysninger, der findes i brugsanvisningen.

1. Inden kassetten anbringes i en stiv beholder, skal det sikres, at dens fødder er indstillet korrekt. TF skal anvendes ved brug af en stiv beholder.

Se **Figur F**.

2. Anbring kassetten i den stive beholder. Følg beholderproducentens anvisninger til forsegling af beholderen.

Bemærk: Kassetterne må ikke indpakkes, inden de anbringes i beholderen til sterilisation.

3. Steriliser beholderen og indholdet ved hjælp af en af de sterilisationscyklusser, der er angivet i brugsanvisningen.

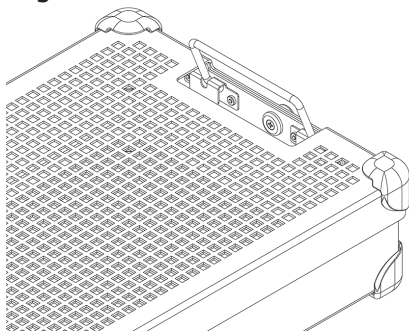
Yderligere information:

Kassetten fjernes fra en stiv beholder aseptisk ved at følge brugsanvisningerne fra producenten af beholderen.

1. Med handsker på og håndfladerne vendende udad stikkes hænderne ind gennem åbningerne i kassetlåget.

2. Tag fat i kassettehåndtagene, og løft dem opad til hævet position. Se **figur G**.

Figur G.



3. Sving håndtagene indad, væk fra siderne på den stive beholder, og løft kassetten ud af beholderen, idet der passes på ikke at berøre toppen eller ydersiden af beholderen.

4. Anbring kassetten på en steril overflade.

STERILISATION

Se **Tabel 2** angående sterilisationsparametre, der er godkendt til sterilisation af InstruSafe-systemer.

Tabel 2.

STERILISATIONSMETODE	CYKLUS (gange)
Præ-vakuumdamp	Parameter: Temperatur 270°F (132°C) Eksponeringsstid 4 minutter Tørretid 30 minutter
Etylenoxid (EO)	Forbehandling: Temperatur 131°F (55°C) Relativ fugtighed 70 ± 15 % Forbehandlingstid 1 time Sterilisation: Eksponeringsstid 120 minutter Temperatur 131°F (55°C) Gennemluftningstid 12 time
STERRAD 100S	<i>Standard</i>
STERRAD 100NX	<i>Standard, Express, Flex</i>
STERRAD NX	<i>Standard</i>
STERIS AMSCO V-PRO 1	<i>Standard</i>
STERIS AMSCO V-PRO 1 PLUS	<i>Lumen, ikke-lumen</i>
STERIS AMSCO V-PRO maX	<i>Lumen, ikke-lumen</i>
STERIS AMSCO V-PRO maX 2	<i>Lumen, ikke-lumen</i>
Sterizone VP4	<i>Cyklus 1</i>

Summit Medical har valideret følgende sterilisationsmetoder:

- 4-minutters cyklus til sterilisering med autoklav i lovligt markedsført svøb, InstruSafe-steriliseringsbeholder, Aesculap stiv beholder eller Genesis stiv beholder, som godkendt af FDA. I henhold til K180528 er InstruSafe-steriliseringsbeholderen valideret til brug med InstruSafe-kassetter/-bakker til instrumentbeskyttelsessystemet
- EO-sterilisationscyklus (etylenoxid) i lovligt markedsført svøb eller en Genesis steril beholder, godkendt af FDA.
- STERRAD 100S Standard-sterilisationscyklus i lovligt markedsført svøb og en Aesculap stiv beholder, godkendt af FDA.
- STERRAD 100NX Standard-sterilisationscyklus i lovligt markedsført svøb og en Aesculap stiv beholder, godkendt af FDA.
- STERRAD 100NX Express-sterilisationscyklus i lovligt markedsført svøb godkendt af FDA.
- STERRAD 100NX Flex-sterilisationscyklus i lovligt markedsført svøb og en Aesculap stiv beholder, godkendt af FDA.
- STERRAD NX Standard-sterilisationscyklus i lovligt markedsført svøb og en Aesculap stiv beholder, godkendt af FDA.
- STERIS AMSCO V-PRO 1-, V-PRO 1 PLUS-, V-PRO maX- og V-PRO maX 2-sterilisationscyklusserne i lovligt markedsført svøb og en Aesculap stiv beholder, godkendt af FDA.
- Sterizone VP4-sterilisationscyklus i lovligt markedsført svøb og en Aesculap stiv beholder, godkendt af FDA.

DU MÅ IKKE overskride belastningskapaciteten for den sterile beholder som den er angivet af producenten.

Anvend FDA-godkendt tilbehør for at opretholde steriliteten.

Læs brugsvejledningen til sterilisationsapparatet for at sikre, at tilsigtede belastninger er kompatible med den tilsigtede sterilisationscyklus.

Læs brugsanvisningen til beholderen for at sikre, at den tilsigtede belastning er kompatibel med de FDA-godkendte belastninger for beholderen.

INDIKATIONER FOR BRUG

4-minutters damp, svøb og Aesculap® stiv beholder

InstruSafe®-kassetter til instrumentbeskyttelsessystemet anvendes til at ordne og beskytte andre medicinske enheder, der steriliseres af en sundhedsmedhjælper. InstruSafe-instrumentbeskyttelsessystem-kassetter er beregnet til at muliggøre sterilisation af de omsluttede medicinske enheder under præ-vakuumdamp-sterilisationscyklusser. InstruSafe-instrumentbeskyttelsessystem-kassetter er beregnet til brug i tilknytning til et lovligt markedsført svøb eller en Aesculap stiv beholder. InstruSafe-instrumentbeskyttelsessystemets kassetter er ikke beregnet til alene at opretholde sterilitet.

Autoklave sterilisationsparametre	
CYKLUS	Præ-vakuum
Temperatur	270°F (132°C)
Eksponeringstid	4 minutter
Mindste tørretid	30 minutter
Summit kassette-model	Aesculap beholder-model
IN-8823-AE	*JN444
IN-2880	*JK444
IN-6105	*JN742
<i>*UDELUKKENDE valideret af Summit Medical til anvendelse i præ-vakuumdamp sterilisationsapparater der kører ved 270°F (132°C) for 4-minutters eksponeringstid. Læs beholderanvisningerne for at sikre, at indholdet ikke overskrider sterilisationsbeholderens tilsigtede belastningskrav.</i>	

Lumenkrav til 4-minutters præ-vakuumdamp-sterilisationscyklus			
Summit kassette-model	Mindste indvendige diameter	Maksimal længde	Antal lumen
IN-8823-CF	3 mm	400 mm	4
IN-8823-CF	3 mm	200 mm	2
IN-2880	1 mm	76 mm	2
IN-2880	3 mm	177 mm	1
IN-6105	5 mm	241 mm	1
IN-2681	1 mm	65 mm	1
IN-2681	3 mm	200 mm	1
IN-7823	1 mm	400 mm	17

4-minutters damp, Genesis™ stiv beholder

InstruSafe®-kassetter til instrumentbeskyttelsessystemet anvendes til at ordne og beskytte andre medicinske enheder, der steriliseres af en sundhedsmedhjælper. InstruSafe-instrumentbeskyttelsessystem-kassetter er beregnet til at muliggøre sterilisation af de omsluttede medicinske enheder under præ-vakuumdamp-sterilisationscyklusser. InstruSafe-instrumentbeskyttelsessystem-kassetter er beregnet til brug i tilknytning til et lovligt markedsført svøb eller en Genesis stiv beholder. InstruSafe-instrumentbeskyttelsessystemets kassetter er ikke beregnet til alene at opretholde sterilitet. En komplet liste over apparater findes i tillæg A.

Lumenkrav til 4-minutters præ-vakuumdamp-sterilisationscyklus			
Summit kassette-model	Mindste indvendige diameter	Maksimal længde	Antal lumen
IN-2681	1 mm	65 mm	1
IN-2681	3 mm	200 mm	1
IN-6105	5 mm	241 mm	1
IN-0000	1 mm	400 mm	5
	3 mm	400 mm	1
	5 mm	400 mm	1

INDIKATIONER FOR BRUG (fortsat)

8-minutters damp & etylenoxid (EO), svøb & Genesis™ stiv beholder

InstruSafe® instrumentbeskyttelsessystem-kassetter anvendes til at ordne og beskytte andre medicinske enheder, der steriliseres af en sundhedsmedhjælper. InstruSafe System-kassetter er beregnet til at muliggøre sterilisation af de omsluttede medicinske enheder under præ-vakuumdamp- eller etylenoxid-sterilisationscyklusser. InstruSafe System-kassetter er beregnet til brug i tilknytning til et lovligt markedsført svøb eller en Genesis stiv beholder. InstruSafe System-kassetter er ikke beregnet til alene at opretholde sterilitet.

Sterilisationsmetoder og konfigurationer

Damp 8 minutters forbehandling ved 132°C	
Garnnummer 140-vævet svøb	10 minutters tørretid
Ikke-vævet svøb (Kimberly Clark)	50 minutters tørretid
Genesis beholder (referencetabel 1 mht. filterpapir der skal bruges)	30 minutters tørretid

Etylenoxid (EO)
<ul style="list-style-type: none">1 times forbehandling ved 131°F (55°C) med relativ fugtighed på 70 ± 15 %2 timers eksponering ved 131°F (55°C)12 timers gennemluftning

Genesis beholder	Genesis beholder-filterpapir
CD2-4B	FX3-1: 9 x 9"
CD2-5B	FX3-1: 9 x 9"
CD3-4B	FX3-1: 9 x 9"
CD3-5B	FX3-1: 9 x 9"
CD3-6B	FX3-1: 9 x 9"
CD3-7B	FX3-1: 9 x 9"
CD4-5B	FO3-2: 9 x 6"
CD5-61B	FO3-2: 9 x 6"
CD6-6B	FX3-1: 9 x 9"

Se brugsanvisningen til V. Mueller Genesis Sterilizer Container system, når der anvendes en hvilken som helst Genesis stiv beholder.

STERRAD® 100S og STERRAD® 100NX® Standard-cykluser, svøb & Aesculap® stiv beholder

InstruSafe®-kassetter til instrumentbeskyttelsessystemet anvendes til at ordne og beskytte andre medicinske enheder, der steriliseres af en sundhedsmedhjælper. InstruSafe-instrumentbeskyttelsessystem-kassetter er beregnet til at muliggøre sterilisation af de omsluttede medicinske enheder under Sterrad 100S Standard- og Sterrad 100NX Standard-sterilisationscyklusser.

InstruSafe-instrumentbeskyttelsessystem-kassetter er beregnet til brug i tilknytning til et lovligt markedsført svøb eller en Aesculap stiv beholder. InstruSafe-instrumentbeskyttelsessystemets kassetter er ikke beregnet til alene at opretholde sterilitet. En komplet liste over apparater findes i tillæg A.

Følgende sterilisationsbakker er valideret sammen med de tilsvarende stive beholdere:

STERRAD 100S Standard Cycle	
Summit kassette-model	Aesculap beholder-model
IN-8823-AE	*JM444
IN-6105	*JM440

STERRAD 100NX Standard Cycle	
Summit kassette-model	Aesculap beholder-model
IN-8823-AE	*JM444
IN-6105	*JM440

*Udelukkende valideret af Summit Medical til anvendelse i STERRAD 100S Standard Cycle og STERRAD 100NX Standard Cycle Læs beholderanvisningerne for at sikre, at indholdet ikke overskrider sterilisationsbeholderens tilsigtede belastningskrav.

Lumen-krav til Sterrad 100S Standard og Sterrad 100NX Standard-cykluser	
4 lumen af rustfrit stål med 3 mm indvendig diameter x 400 mm længde	Alle modeller af passende størrelse er angivet i Bilag A med undtagelse af IN-2681.
2 lumen af rustfrit stål med 3 mm indvendig diameter x 200 mm længde	
1 lumen af rustfrit stål med 3 mm indvendig diameter x 200 mm længde	IN-2681
1 lumen af rustfrit stål med 1 mm indvendig diameter x 65 mm længde	

INDIKATIONER FOR BRUG (fortsat)

STERRAD® NX® Standard-cyklus, svøb og Aesculap® stiv beholder

InstruSafe®-kassetter til instrumentbeskyttelsessystemet anvendes til at ordne og beskytte andre medicinske enheder, der steriliseres af en sundhedsmedhjælper. InstruSafe-instrumentbeskyttelsessystem-kassetter er beregnet til at muliggøre sterilisation af de omsluttede medicinske enheder under en Sterrad NX Standard sterilisationscyklus. InstruSafe-instrumentbeskyttelsessystem-kassetter er beregnet til brug i tilknytning til et lovligt markedsført svøb eller en Aesculap stiv beholder. InstruSafe-instrumentbeskyttelsessystemets kassetter er ikke beregnet til alene at opretholde sterilitet. En komplet liste over apparater findes i tillæg A.

Sterilisationsmetoder og konfigurationer
- Sterrad NX Standard steriliseringscyklus

Lumen-krav til STERRAD NX Standard sterilisationscyklus			
Summit kassette-model	Mindste indvendige diameter	Maksimal længde	Antal lumen
IN-2681	1 mm	65 mm	1
IN-2681	3 mm	200 mm	1
IN-8987-S	1 mm	500 mm	5
IN-8615	2,3 mm	210 mm	5
IN-6105	4 mm	235 mm	1

Bemærk: Den i værste tilfælde validerede belastning baseret på luft-til-volumen-kalkulation er IN-2681-bakken.

STERRAD® 100NX® Express-cyklus, svøb

InstruSafe®-kassetter til instrumentbeskyttelsessystemet anvendes til at ordne og beskytte andre medicinske enheder, der steriliseres af en sundhedsmedhjælper. InstruSafe-instrumentbeskyttelsessystem-kassetter er beregnet til at muliggøre sterilisation af de omsluttede medicinske enheder under en Sterrad® 100NX Express-cyklus. InstruSafe-instrumentbeskyttelsessystem-kassetter er beregnet til brug i tilknytning til et lovligt markedsført svøb. InstruSafe-instrumentbeskyttelsessystemets kassetter er ikke beregnet til alene at opretholde sterilitet. InstruSafe®-instrumentbeskyttelsessystem har ikke nogen lumen-krav til Sterrad 100NX Express-cyklussen.

STERRAD® 100NX® Flex-sterilisationscyklus, svøb og Aesculap® stiv beholder

InstruSafe®-kassetter til instrumentbeskyttelsessystemet anvendes til at ordne og beskytte andre medicinske enheder, der steriliseres af en sundhedsmedhjælper. InstruSafe-instrumentbeskyttelsessystem-kassetter er beregnet til at muliggøre sterilisation af de omsluttede medicinske enheder under Sterrad 100NX Flex-sterilisationscyklus. InstruSafe-instrumentbeskyttelsessystem-kassetter er beregnet til brug i tilknytning til et lovligt markedsført svøb eller en Aesculap stiv beholder. InstruSafe-instrumentbeskyttelsessystemets kassetter er ikke beregnet til alene at opretholde sterilitet. En komplet liste over apparater findes i tillæg A.

STERRAD 100NX Flex-sterilisationscyklus	
Summit kassette-model	Aesculap beholder-model
IN-0000	*JM440
IN-6105	*JM440

**UDELUKKENDE valideret af Summit Medical til anvendelse i STERRAD 100NX Flex-sterilisationscyklus. Læs beholderanvisningerne for at sikre, at indholdet ikke overskrider sterilisationsbeholderens tilsigtede belastningskrav.*

Lumen-krav til STERRAD 100NX Flex-sterilisationscyklus				
Summit kassette-model	Mindste indvendige diameter	Maksimal længde	Antal lumen	Svøb/Stiv Beholder
IN-0000	1 mm	850 mm	1	Svøb + stiv beholder
IN-8823	1 mm	850 mm	1	Svøb + stiv beholder
IN-7344	1 mm	850 mm	1	svøb
IN-6105	4 mm	235 mm	1	Svøb + stiv beholder

Den i værste tilfælde validerede belastning baseret på luft-til-volumen-beregning er IN-0000-bakken.

Bemærk: IN-0000-bakken er udelukkende til afprøvningsformål.

INDIKATIONER FOR BRUG (fortsat)

AMSCO® V-PRO® lavtemperatur-sterilisationscykluser, svøb og Aesculap® stiv beholder

InstruSafe®-instrumentbeskyttelsessystemets kassetter anvendes til at organisere og beskytte andre medicinske enheder, der steriliseres af sundhedspersonale. InstruSafe-instrumentbeskyttelsessystemets kassetter er beregnet til at muliggøre sterilisation af de omslutede medicinske enheder under AmSCO V- PRO lavtemperatur-sterilisationscykluser. InstruSafe-instrumentbeskyttelsessystemets kassetter er beregnet til brug i tilknytning til et lovligt markedsført svøb eller en Aesculap stiv beholder. InstruSafe-instrumentbeskyttelsessystemets kassetter er ikke beregnet til alene at opretholde sterilitet. En komplet liste over apparater findes i tillæg A.

AMSCO V-PRO-lavtemperaturs-sterilisationssystemer			
Sterilisations-apparat	Standard cyklus	Lumen-cyklus	Ikke-lumen-cyklus
V-PRO 1	X	Ikke angivet	Ikke angivet
V-PRO 1 PLUS	Ikke angivet	X	X
V-PRO maX	Ikke angivet	X	X
V-PRO maX 2	Ikke angivet	X	X
Summit kassette-model		Aesculap beholder-model	
IN-8823		*JM444	
IN-6105		*JM742	
<i>*Valideret af Summit Medical til anvendelse i AMSCO V-PRO-lavtemperaturs-sterilisationssystemer. Når Aesculap-beholderen anvendes som steril barriere, må belastningen (Summit-bakke og indhold) ikke overskride belastningskravene for beholderen mht. vægt eller belastningstype.</i>			

De validerede lumen-størrelser for instrumenterne omfatter:			
Summit kassette-model	Mindste indvendige diameter	Maksimal længde	Antal lumen
IN-8823	3 mm	400 mm	2
IN-6105	3 mm	200 mm	1
IN-2681	1 mm	64 mm	1
Bemærk: Den i værste tilfælde validerede belastning baseret på luft-til-volumen-kalkulation er IN-2681-bakken.			

INDIKATIONER FOR BRUG (fortsat)

VP4 Sterizone, svøb og Aesculap® stiv beholder

InstruSafe®-kassetter (bakker) til instrumentbeskyttelsessystemet anvendes til at ordne og beskytte andre medicinske enheder, der steriliseres af en sundhedsmedhjælper. InstruSafe-kassetter til instrumentbeskyttelsessystemet er beregnet til at muliggøre sterilisation af de omsluttede medicinske enheder under STERIZONE VP4-sterilisationscyklus 1. InstruSafe-instrumentbeskyttelsessystemets kassetter er beregnet til brug i tilknytning til et lovligt markedsført svøb eller en Aesculap stiv beholder. InstruSafe-instrumentbeskyttelsessystemets kassetter er ikke beregnet til alene at opretholde sterilitet.

Summit Medical har valideret brugen af InstruSafe-kasser til instrumentbeskyttelsessystemet i cyklus 1 i STERIZONE VP4-sterilisatoren gennem demonstrationer af sterilisationseffektivitet med brug af repræsentative prøver på medicinske anordninger, herunder generelle instrumenter, stive og halv-stive instrumenter med lumener og fleksible endoskoper. Valideringen gav oplysninger, der er blevet brugt til at etablere designbegrænsninger, der er blevet anvendt på tværs af sortimentet af InstruSafe-kasser til instrumentbeskyttelsessystemet for at sikre, at alle modeller falder inden for de validerede grænser for kasseventilation, intern hyldeplacering og vægt:

- Minimalt ventilation/volumen-forhold, generelle instrumenter: 0,073
- Minimalt ventilation/volumen-forhold, fleksible endoskoper: 0,263
- Maksimalt antal interne hylde: To (2)
- Maksimal kassettevægt (inklusive indhold): 25 pund/kassette

I nedenstående tabel er de validerede belastninger ved brug af InstruSafe-kassetter til instrumentbeskyttelsessystemet angivet.

Se brugsanvisningen fra producenten af sterilisationsapparatet for at sikre, at belastninger ikke overskrider de angivne grænser for sterilisationsapparatet.

Beskrivelse af belastninger for InstruSafe-instrumentbeskyttelsessystemet.

Gældende for belastningsvalidering for sterilisationsapparatet STERIZONE® VP4 nr. (K190260)	Beskrivelse af Summit Medical-belastningsvalidering	Samlet vægtbelastning (eksklusive isætningsstativet på 25 pund)
4	<p>Belastning 4a: Bestående af belastningsgrænsen for stive og halvstive instrumenter med kanal:</p> <ul style="list-style-type: none"> • Tre (3) halvstive endoskoper med dobbelt kanal (ureteroskop – 0,7 mm × 500 mm og 1,1 mm × 500 mm) blev indpakket, én (1) pr. kassette, i tre (3) IN 7323-R-kassetter. • Der blev tilføjet flere stive instrumenter med kanal for at nå op på samlet 15 kanaler. <p>Hver kassette omfattede passende instrumentholdere af silikone og blev indpakket.</p> <p>Belastning 4b: Bestående af belastningsgrænsen for stive og halvstive instrumenter med kanal:</p> <ul style="list-style-type: none"> • Tre (3) halvstive endoskoper med dobbelt kanal (ureteroskop – 0,7 mm × 400 mm og 1,1 mm × 400 mm) blev indpakket, én (1) pr. kassette, i tre (3) IN-0007-TF-kassetter. • Der blev tilføjet flere stive instrumenter med kanal for at nå op på samlet 15 kanaler. <p>Hver kassette omfatter passende instrumentholdere af silikone og blev placeret i en Aesculap JM440 stiv beholder.</p>	<p>Belastning 4a = 5 pund/kassette, 15 pund total</p> <p>Belastning 4b = 11 pund/kassette, 33 pund total</p>
7	<p>Summit Medical-belastningsvalidering 7a: Bestående af vægtbelastningsgrænsen for generelle medicinske instrumenter repræsenterer følgende parametre:</p> <ul style="list-style-type: none"> • Bokslåshængsel • Pivohængsel • Luer-lås <p>Generelle medicinske instrumenter blev spredt over tre (3) IN-7323-R-kassetter med passende silikoneholdere, som hver vejer 25 pund. Kassetterne blev indpakket.</p> <p>Summit Medical-belastningsvalidering 7b: Bestående af vægtbelastningsgrænsen for generelle medicinske instrumenter, der repræsenterer følgende parametre:</p> <ul style="list-style-type: none"> • Bokslåshængsel • Pivohængsel • Luer-lås <p>Generelle medicinske instrumenter blev spredt over tre (3) IN-0006-TF-kassetter med passende silikoneholdere. Kassetter blev placeret i Aesculap JM440-beholdere, der hver vejer 25 pund.</p>	<p>Belastning 7a = 25 pund/kassette 75 pund total</p> <p>Belastning 7b = 25 pund/kassette 75 pund total</p>
8	<p>Summit Medical-belastningsvalidering 8a: Bestående af belastningsgrænsen på samlet fem (5) fleksible endoskopkanaler i indpakkede kassetter:</p> <ul style="list-style-type: none"> • To (2) fleksible endoskoper med dobbelt kanal (ureteroskoper – 1 mm × 850 mm og 1 mm × 989 mm) blev indpakket, én (1) pr. kassette, i IN-0003-R-kassetter. • Ét (1) fleksibelt endoskop med enkeltkanal (ureteroskop – 1 mm × 850 mm) blev indpakket i en IN-0004-R-kassette. <p>Kassetter omfattede passende holdere af silikone og blev indpakket.</p> <p>Summit Medical-belastningsvalidering 8b: Bestående af belastningsgrænsen på samlet fire (4) fleksible endoskopkanaler i kassetter indpakket i stive beholdere:</p> <ul style="list-style-type: none"> • To (2) fleksible endoskoper med dobbelt kanal (ureteroskoper – 1 mm × 850 mm og 1 mm × 989 mm) blev indpakket, én (1) pr. kassette, i IN-0003-R-kassetter med passende silikoneholdere. <p>Hver kassette blev placeret i en Aesculap JM442-beholder.</p>	<p>Belastning 8a = 4,3 pund/kassette, 13 pund total</p> <p>Belastning 8b = 8,3 pund/kassette, 25 pund total</p>

OPBEVARING

Opbevar endeligt sterile kassetter, der er svøbt eller kommet i beholder, på opbevaringshylde i en horisontal position. Man skal rådføre sig med producenten af svøb eller beholder for at få information om opbevaringslevetid.

BORTSKAFFELSE

I tilfælde af, at InstruSafe®-instrumentbeskyttelsessystemerne ikke består inspektion før brug, eller på anden måde er blevet anset for ikke længere at være egnet til formålet, skal enhederne bortskaffes i overensstemmelse med lokale regler. Bortskaffelsesmetoden vil afhænge af de potentielle risici for krydskontaminering og infektion, når behovet for bortskaffelse identificeres.

RAPPORTERING AF ALVORLIGE HÆNDELSER

Enhver alvorlig hændelse, der har fundet sted i forbindelse med enheden, skal rapporteres til producenten og FDA/den kompetente myndighed i den medlemsstat, hvor brugeren og/eller patienten er etableret.

GARANTI

BEGRÆNSET GARANTI FOR SUMMIT MEDICAL INSTRUSAFE INSTRUMENT PROTECTION SYSTEM.

DENNE BEGRÆNSEDE GARANTI OG DEN KOMPENSATIONSMULIGHED DER GIVES HER ER EKSKLUSIV OG ERSTATTER ALLE ANDRE UDTRYKTE GARANTIER, OG, MEDMINDRE DET ER ANFØRT HER, ER ENHVER ERKLÆRING ELLER ETHVERT ANBRINGENDE FREMFØRT AF NOGEN ANDEN PERSON ELLER NOGET ANDET FIRMA, UGYLDIG. VARIGHEDEN AF ENHVER GARANTI FOR SALGSBARHED ELLER EGNETHED TIL ET BESTEMT FORMÅL ER BEGRÆNSET TIL VARIGHEDEN AF DEN UDTRYKKELIGE BEGRÆNSEDE GARANTI. HVERKEN SUMMIT MEDICAL ELLER DETS ASSOCIEREDE SELSKABER KAN HOLDES ANSVARLIGE FOR NOGEN HÆNDELIGE SKADER, FØLGESKADER ELLER SÆRLIGE TAB ELLER SKADER, SOM RESULTAT AF BRUGEN ELLER MANGLENDE MULIGHED FOR AT BRUGE INSTRUSAFE-SYSTEMET, HVAD ENTEN DET SKYLDES BRUD PÅ GARANTIE ELLER NOGEN ANDEN JURIDISK TEORI.

Denne begrænsede garanti giver dig særlige juridiske rettigheder, og du har muligvis også andre rettigheder, som varierer fra stat til stat. I nogle stater tillades begrænsninger ikke mht. hvor længe en underforstået garanti varer, eller eksklusion eller begrænsning af hændelige skader eller følgeskader tillades, så ovennævnte begrænsning eller eksklusioner gælder måske ikke for dig.

Hvad der dækkes. Summit Medical garanterer over for den oprindelige køber, at InstruSafe-systemet, der er dækket af denne begrænsede garanti, overholder producentens specifikationer og er fri for mangler i forarbejdning og materiale i en periode på 12 måneder fra datoen for det oprindelige køb. Hvis den oprindelige køber videregiver InstruSafe-systemet til en anden part, kan denne begrænsede garanti ikke håndhæves af den part, til hvem produktet er videregivet.

Hvad vi vil gøre for at udbedre problemer. Hvis dit InstruSafe-system skulle vise sig at være defekt i denne periode, skal du underrette Summit Medical eller en autoriseret distributør eller forhandler af Summit Medical. Du skal tillade Summit Medical eller dets repræsentanter at foretage sådan undersøgelse og sådanne afprøvninger, som Summit Medical skønner passende, og, hvis du anmodes derom, skal du returnere produktet til fabrikken på den adresse, der er anført nedenfor. Summit Medicals eneste pligt ifølge denne begrænsede garanti er, efter dets eget valg, at reparere eller erstatte de(t) defekte produkt(er), uden beregning for dele eller arbejdsløn. Porto, forsikring eller forsendelsesomkostninger i forbindelse med tilsendelsen af dit InstruSafe System-produkt til service under garantien påhviler dig.

Hvad der ikke er dækket. Denne begrænsede garanti er på betingelse af korrekt anvendelse og vedligeholdelse af produktet. Den dækker ikke produkter, der har været forkert fremsendt, eller som har været brugt forkert, misbrugt, forsømt eller forkert vedligeholdt, rengjort eller opbevaret, eller har været repareret af andre end Summit Medical eller en autoriseret distributør eller forhandler af Summit Medical, eller har været ændret på uden udtrykkelig godkendelse fra Summit Medicals side. Manglende overholdelse af instruktionerne i ejerens brugervejledning kan udgøre forkert anvendelse eller forkert vedligeholdelse af produktet, og resulterer i, at denne begrænsede garanti bortfalder. Denne garanti omfatter ikke normalt slid eller udskiftningsdele.

Hvis du har spørgsmål eller krav i forbindelse med denne garanti, bedes du kontakte:

Kundeserviceafdeling
Summit Medical
815 Vikings Parkway, Suite 100
St. Paul, MN 55121 | USA
www.instrusafe.com

TELEFON: 651(-789)-3939 / 888 -229 -2875
FAX: 651(-789)-3979 / 888 -229 -1941
E-MAIL: customerservice@innoviamedical.com

Laitteen valmistaja on tarkistanut oheiset ohjeet uudelleenkäytettävien lääkintälaitteiden uudelleen käsittelyä varten.

Yksittäiset sterilisaattorit, laitteiden puhtaus, instrumenttelineiden täyttäminen, instrumenttien muoto ja tyyppi, sterilointiastiat, suodattimet ja pakkaukset vaihtelevat sijainnin mukaan.

LUE TÄMÄ KAPPALE ENNEN TUOTTEEN KÄYTTÖÖNOTTOA

KÄYTTÖTARKOITUKSEN/KÄYTTÖAIHEIDEN YHTEENVETO

InstruSafe® -instrumenttien suojausjärjestelmän laatikot/telineet sisältävät uudelleenkäytettävät lääkinnälliset laitteet ja suojaavat niitä kuljetuksen, steriloinnin ja varastoinnin aikana. InstruSafe® -instrumenttien suojausjärjestelmän laatikoiden/telineiden avulla järjestetään ja suojataan muita terveydenhuollon tarjoajan steriloimia lääkintälaitteita. InstruSafe-instrumenttien suojausjärjestelmän laatikoita/telineitä käytetään niiden sisältämien lääkintälaitteiden steriloinnissa seuraavien sterilointisykliä aikana:

- Esityhjiöhöyry (ISO 17665-1 ja EN 285)
- Eteenioksidi (ISO 11135)
- Validoitu sterilointi matalassa lämpötilassa, (ISO 14937) ts.
 - STERRAD® 100S Standard (lyhyt)
 - STERRAD® 100NX® Express, Standard ja Flex
 - STERRAD® NX® Standard
 - STERIS® AMSCO® V-PRO 1®, V-PRO 1 Plus, V-PRO maX ja V-PRO maX 2
 - Sterizone® VP4

InstruSafe-instrumenttien suojausjärjestelmän laatikoita/telineitä ei ole tarkoitettu steriiliyden ylläpitämiseen sellaisenaan.

InstruSafe -instrumenttien suojausjärjestelmän laatikot/telineet on tarkoitettu käytettäväksi kaupallisen pakkauksen, Aesculap®-astioiden ja Genesis™-astioiden kanssa.

InstruSafe-sterilointiastiat on validoitu käytettäväksi InstruSafe-instrumenttien suojausjärjestelmän laatikoiden/telineiden kanssa, (esityhjiö, 132 °C (270 °F), vain 4 minuutin höyrysterilointijakso) markkinoille saattamista edeltävän ilmoituksen 510(k) K180528 mukaisesti. Katso lisätietoja InstruSafe®-sterilointiastian käyttöohjeista.

Täydellinen luettelo laitemalleista löytyy Liitteestä A, jota voi tarkastella osoitteessa www.instrusafe.com/ifus.

LAITTEEN KUVAUS

Summit Medicalin InstruSafe-instrumenttisuojausjärjestelmät ovat laatikoita/telineitä, joissa kirurgiset instrumentit ja instrumenttien varusteet pysyvät järjestyksessä steriloinnin, säilytyksen ja kuljetuksen aikana. Laatikot/telineet eivät ole kosketuksissa potilaaseen. Laatikot/telineet eivät sellaisenaan ylläpidä steriiliyttä. Erikokoisilla laatikoilla/telineillä on sama perusrakenne: suorakulmainen runko ja suljettava kansi. Laatikoissa/telineissä on aukkoja, joiden kautta sterilointiaine kulkeutuu. Laatikoiden/telineiden rungossa tai kannessa tai molemmissa on silikonitukia, jotka suojaavat kirurgisia instrumentteja ja pitävät ne järjestyksessä steriloinnin, säilytyksen ja kuljetuksen aikana.

TARKOITETTU KÄYTTÄJÄ

InstruSafe®-instrumenttien suojausjärjestelmät on tarkoitettu terveydenhuollon ammattilaisten käyttöön leikkaussalissa ja steriileissä käsittelyosastoissa lääkinnällisten laitteiden kuljetukseen, sterilointiin ja varastointiin.

KÄSITTELYÄ KOSKEVIA RAJOITUKSIA

1. InstruSafe-instrumenttien suojausjärjestelmän käyttöikä on vähintään 25 sterilointisykliä. Tarkasta ennen käyttöä, näyttääkö teline kuluneelta tai vahingoittuneelta. Lopeta käyttö, jos siinä on kulumisen merkkejä, kuten syöpymistä, mekaanisia vikoja, halkeamia, lohkeamia, hilseilyä, murtuneita hitsausaumoja, vahingoittuneita pohjatukia, vahingoittuneita salpoja, vahingoittuneita Hold-Its®/ Hold-Downs tai värimuutoksia jne.
2. **Taulukossa 2** esitetään sterilointimenetelmät ja kokoonpanot.
3. **ÄLÄ YLIKUORMITA** InstruSafe-järjestelmiä ja -osia.
4. **ÄLÄ YLIKUORMITA** yksittäisiä Hold-Its-paikkoja. Aseta vain yksi instrumentti kuhunkin Hold-Its-paikkaan.
5. Jos käytössä on jäykkä astia: **ÄLÄ PAKKAA** InstruSafe-järjestelmiä tai -osia ja aseta ne astian sisään sterilointia varten.
6. **ÄLÄ PINOA** sterilisaattorin sisällä olevia erikseen pakattuja tai astiaan asetettuja InstruSafe-järjestelmiä tai niiden osia. Erottele pakatut tai astiaan asetetut InstruSafe-järjestelmät tai -osat toisistaan ja muista esineistä sterilisaattorin eri hyllyille, jotta sterilointiaine pääsee virtaamaan esteettä.
7. Nestettä imemättömien telineen vuorausten (esimerkiksi nystyillä varustetun silikonimatton) käyttäminen voi aiheuttaa tiivistymien kerääntymistä. Jos kosteutta näkyy, steriloi uudelleen pidemmällä kuivausajalla.
8. Säiliöjärjestelmän (esim. astia, teline ja instrumenttikuorma) kokonaispaino ei saa ylittää 11,34 kg (25 paunaa).
9. Instrumenttien (esimerkiksi sisäaukkoja tai kouruja sisältävien instrumenttien ja endoskooppien) valmistelussa ja steriloinnissa on noudatettava instrumentin valmistajan antamia ohjeita.
10. Käyttäjän vastuulla on ylläpitää erityisiä validointeja päästerilointiprosessille, jota sovelletaan sterilointiprosessiin esitettävien instrumenttien ja astioiden kokoonpanoihin.
11. Sterilisaattorin valmistajan käyttöohjeista löytyy tietoa muista rajoituksista (esim. mitta- tai painorajoitukset).

VAROITUKSIA

- Käytä alumiinista valmistetuille InstruSafe-järjestelmille vain happamuudeltaan neutraaleja (pH 6,0–8,5) puhdistusaineita, jotka eivät vahingoita niiden pintakäsittelyä. Hyvin hapan tai emäksinen puhdistusaine voi vahingoittaa laatikon ja metalliosien anodisoitua alumiinipintaa pysyvästi.
- Älä käytä, jos pakkaus on vahingoittunut tai avattu tahattomasti ennen käyttöä.

Huomautus: Puhdista ja tarkasta laatikot annettujen ohjeiden mukaan ennen käyttöönottoa.

YLEISIÄ VAROTOIMIA

- Henkilökunnan on käytettävä suojavaatteita ja -varusteita työnantajansa tai osastonsa antamien kontaminaatioastetta koskevien toimintaohjeiden mukaisesti.
- Vältä metallien syöpymistä pitämällä erilaiset metallit erillään steriloinnin aikana.

KÄYTTÖ

Poista lika kertakäyttöisellä kangas- tai paperipyyhkeellä. Likaantuneet komponentit on pidettävä kosteina, kunnes päteviä puhdistusmenetelmiä voidaan käyttää.

PUHDISTUS

Noudata instrumentin laatikoiden puhdistuksessa instrumentin valmistajan antamia ohjeita.

Puhdista laatikko/teline jollakin seuraavista validoiduista puhdistusvaihtoehdoista.

Jotta alumiinilaatikoiden pintaan ei tule vaurioita, käytä ainoastaan happamuudeltaan neutraaleja (pH 6,0–8,5) liuoksia, joissa ei saa olla natriumkarbonaattia.

ÄLÄ käytä hankaavia puhdistusaineita tai -sieniä. **ÄLÄ** säilytä laatikkoa nesteessä.

1. Puhdistus käsin:

- Arvittavat materiaalit: Happamuudeltaan neutraali (pH 6,0–8,5) entsyymittömä puhdistusaine, pehmeä harja ja juokseva vesi.
- Irrota näkyvät liat ja epäpuhtaudet pehmeällä harjalla. Koko laatikko tulisi upottaa puhdistettaessa vähintään kahden minuutin ajaksi, jotta epäpuhtaudet irtoavat eikä puhdistusainetta roisku henkilökunnan päälle.
- Huuhtelee puhtaalla vedellä huolellisesti vähintään 1 minuutin ajan, jotta pesuaine huuhtoutuu kokonaan pois. Noudata pesuaineen etiketissä olevia huuhteluohjeita.

2. Ultraäänipuhdistus:

- Valmistele entsyymipesu ultraäänipuhdistimessa.
- Aseta yksi laatikko puhdistusaineeseen ja puhdista vähintään kymmenen minuuttia.
- Huuhtelee kylmällä vesijohtovedellä vähintään 2 minuutin ajan.
- Tarkasta silmämääräisesti, onko laatikossa epäpuhtauksia. Toista sykli tarvittaessa, jotta näkyvät epäpuhtaudet irtoavat.

3. Automaattinen pesukone:

InstruSafe-instrumenttien suojausjärjestelmät on validoitu **taulukossa 1** esitettyjä automaattisia puhdistussyklejä varten. Käyttäjän on suoritettava tiettyjen parametrien määrittely.

Taulukko 1

SYKLI	VEDEN LÄMPÖTILA	PUHDISTAMINEN
Esipesu 1 ja 2	Kylmä vesijohtovesi	Kierrätysaika: 2 minuuttia
Entsyymipesu	Kuuma vesijohtovesi	Liotusaika: 4 minuuttia
Pesu 1	Kuumennus 65,5 °C (150 °F)	Kierrätysaika: 15 minuuttia
Huuhtelu 1 ja 2	Kuuma vesijohtovesi	Kierrätysaika: 5 minuuttia

Huomautus: Tarkasta automaattisen puhdistussyklin jälkeen silmämääräisesti, onko InstruSafe-järjestelmään (laatikkoon ja tarvikkeisiin) jäänyt likaa. Kaikki näkyvä lika on poistettava käsin, harjaamalla, ultraäänellä tai automaattisilla lisäsykleillä ennen sterilointiin siirtämistä.

DESINFIOINTI

InstruSafe-järjestelmät on tarkoitettu steriloitaviksi.

KUNNOSSAPITO, TARKASTUS JA TESTAUS

InstruSafe-järjestelmiä voidaan käyttää uudelleen, kunnes niissä ilmenee kulumisen merkkejä, kuten syöpymistä, halkeamia, ruostetta, lohkeamia, hilseilyä, värimuutoksia tai mekaanisia vikoja.

Mekaanisten vikojen merkkejä:

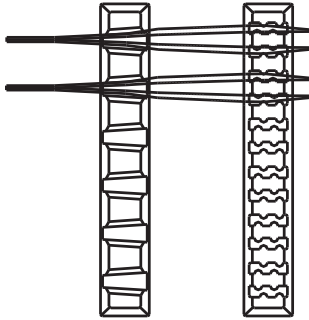
- Murtunut tai haljennut kulma tai hitsaussauma
- Murtunut tai toimimaton salpa
- Puuttuvat, repeytyneet tai haljenneet silikonituet
- Puuttuva tai vahingoittunut pohjatuki

KOKOONPANO

1. Aseta instrumentit pidikkeisiinsä tai rajatuille alueille niin, että kaikkien instrumenttien pinnoille pääsee sterilointiainetta. Katso mallia **kuvasta A**. Aseta kuhunkin paikkaan vain yksi instrumentti. Pura tai avaa instrumenttien kaikki osat valmistajan ohjeiden mukaan, kun se on mahdollista.

ÄLÄ ylikuormita pidikkeitä äläkä ylitä laatikoiden rajoja. Lisätietoja on liitteessä A.

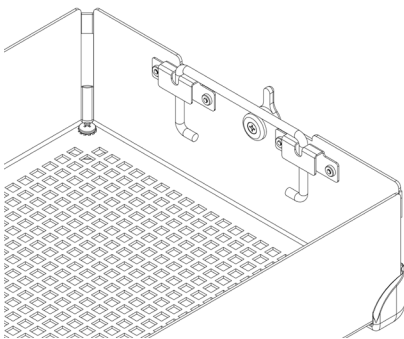
Kuva A.



Huomautus: Instrumenttien (esimerkiksi sisäaukkoja tai kouruja sisältävien instrumenttien ja endoskooppien) valmistelussa ja steriloinnissa on noudatettava instrumentin valmistajan antamia käyttöohjeita.

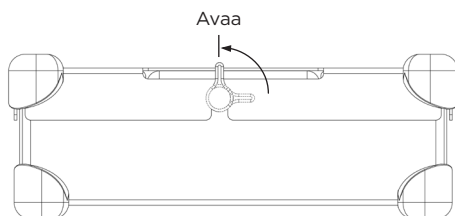
2. Varmista, että kahvat ovat laatikon sisällä, (sisäänvedettyinä). kuten **kuvassa B**.

Kuva B.



3. Aseta laatikon kansi laatikon rungon päälle ja varmista, että salvat ovat kohdakkain laatikon kannessa olevan aukon kanssa. Sulje salvat. Katso mallia **kuvasta C**.

Kuva C.

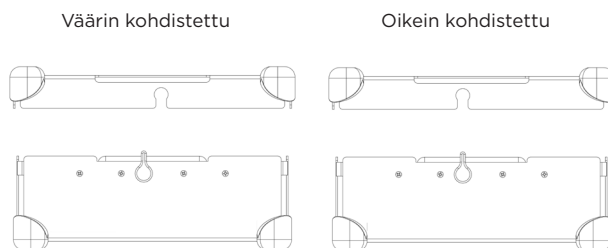


Huomautus: Salvat on sijoitettu niin, että laatikon kansi kohdistuu aina oikein suhteessa runkoon. Näin varmistetaan, että pidikkeet ovat oikeassa asennossa, kun kansi on kiinnitetty.

Kuvassa D esitetään oikea kohdistus.

ÄLÄ aseta laatikon kantta väkisin laatikon rungon päälle, instrumentti ja laatikko voivat vahingoittua.

Kuva D.



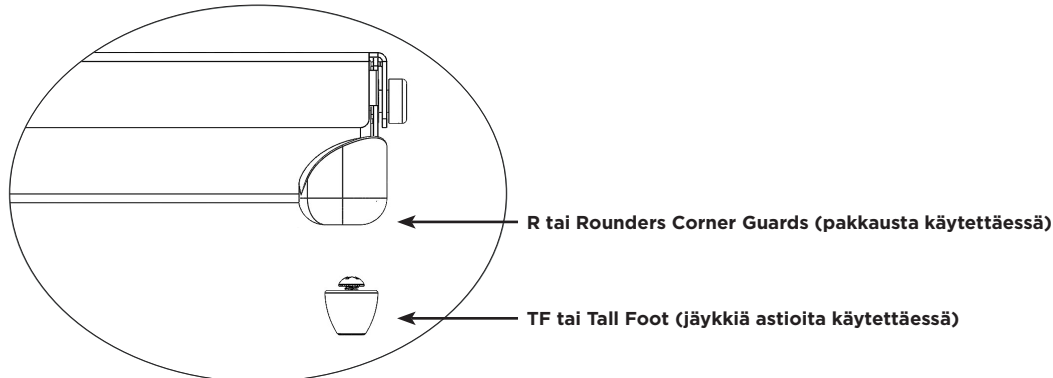
PAKKAUS

InstruSafe-järjestelmät voidaan pakata kaupallisella pakkauksella tai asettaa kaupalliseen astiaan. Lue käyttöohjeessa mainitut käyttöaiheet.

Käyttö pakkauksen kanssa:

1. Varmista ennen laatikon pakkausta, että sillä on oikeanmallinen pohjatuki. Pakkauksen kanssa on käytettävä R-mallia. Katso **Kuva F**.

Kuva F.



2. Pakkaa laatikko kaksinkertaisella kaupallisella pakkauksella ja noudata pakkauksen valmistajan antamia ohjeita.

3. Steriloi paketti jollakin käyttöohjeessa mainituista sterilointisykleistä.

Käyttö astian kanssa:

Lue käyttöohjeissa mainitut käyttöaiheet.

1. Ennen kuin asetat laatikon astiaan, varmista, että sillä on oikeanmallinen pohjatuki. Astian kanssa on käytettävä TF-mallia. Katso **Kuva F**.

2. Aseta laatikko astiaan. Sulje astia sen valmistajan antamien ohjeiden mukaan.

Huomautus: Älä pakkaa laatikoita ennen sterilointiastian asettamista.

3. Steriloi astia sisältöineen jollakin käyttöohjeessa mainituista sterilointisykleistä.

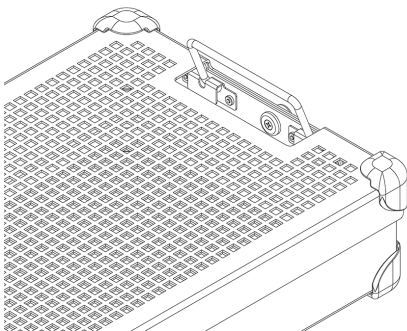
Lisätietoja:

Jotta laatikko otetaan astiasta aseptisesti, noudata astian valmistajan käyttöohjeita.

1. Käytä käsineitä. Aseta kämmenet ulospäin ja kurkota laatikon kannessa olevien aukkojen läpi.

2. Ota kiinni laatikon kahvoista ja nosta ne yläasentoon. Katso **Kuva G**.

Kuva G.



3. Kallista kahvoja sisäänpäin astian kyljistä poispäin ja nosta laatikko pois astiasta. Varo samalla, ettet kosketa astian ulkopuolta tai yläosaa.

4. Aseta laatikko steriilille pinnalle.

STERILOINTI

InstruSafe-järjestelmille validoidut sterilointiparametrit ja -syklit esitetään **taulukossa 2**.

Taulukko 2.

STERILOINTIMENETELMÄ	SYKLI <i>(ajat)</i>
Esityhjiö, höyry	Parametri: Lämpötila 132 °C (270 °F) Sterilointiaika 4 minuuttia Kuivausaika 30 minuuttia
Eteenioksidi (EO)	Esikäsittely: Lämpötila 55 °C (131 °F) Ilmankosteus 70 ± 15 % Esikäsittelyaika 1 tunti Sterilointi: Sterilointiaika 120 minuuttia Lämpötila 55 °C (131 °F) Ilmastusaika 12 tuntia
STERRAD 100S	<i>Standard</i>
STERRAD 100NX	<i>Standard, Express, Flex</i>
STERRAD NX	<i>Standard</i>
STERIS AMSCO V-PRO 1	<i>Standard</i>
STERIS AMSCO V-PRO 1 PLUS	<i>Luumen, Ei-luumen</i>
STERIS AMSCO V-PRO maX	<i>Luumen, Ei-luumen</i>
STERIS AMSCO V-PRO maX	<i>Luumen, Ei-luumen</i>
Sterizone VP4	<i>Sykli 1</i>

Summit Medical on validoinut seuraavat sterilointimenetelmät:

- Autoklaavi: 4 minuutin pituinen sterilointisykli Yhdysvaltain lääke- ja elintarvikeviraston hyväksymässä kaupallisessa pakkauksessa, InstruSafe-sterilointiastiassa, Aesculap-astiassa tai Genesis-astiassa. K180528:n mukaisesti InstruSafe-sterilointiastia validoitiin käytettäväksi InstruSafe-instrumenttien suojausjärjestelmän laatikoiden/telineiden kanssa.
- Eteenioksidi (EO): sterilointisykli Yhdysvaltain lääke- ja elintarvikeviraston hyväksymässä kaupallisessa pakkauksessa tai steriilissä Genesis-astiassa.
- STERRAD 100S: Standard-sterilointisykli Yhdysvaltain lääke- ja elintarvikeviraston hyväksymässä kaupallisessa pakkauksessa tai Aesculap-astiassa.
- STERRAD 100NX: Standard-sterilointisykli Yhdysvaltain lääke- ja elintarvikeviraston hyväksymässä kaupallisessa pakkauksessa tai Aesculap-astiassa.
- STERRAD 100NX: Express-sterilointisykli Yhdysvaltain lääke- ja elintarvikeviraston hyväksymässä kaupallisessa pakkauksessa.
- STERRAD 100NX: Flex-sterilointisykli Yhdysvaltain lääke- ja elintarvikeviraston hyväksymässä kaupallisessa pakkauksessa tai Aesculap-astiassa.
- STERRAD NX: Standard-sterilointisykli Yhdysvaltain lääke- ja elintarvikeviraston hyväksymässä kaupallisessa pakkauksessa tai Aesculap-astiassa.
- STERIS AMSCO V-PRO 1, V-PRO 1 PLUS, V-PRO maX ja V-PRO maX 2 -sterilointisyklit Yhdysvaltain lääke- ja elintarvikeviraston hyväksymässä kaupallisessa pakkauksessa tai Aesculap-astiassa.
- Sterizone VP4: sterilointisykli Yhdysvaltain lääke- ja elintarvikeviraston hyväksymässä kaupallisessa pakkauksessa tai Aesculap-astiassa.

ÄLÄ ylitä valmistajan ilmoittamaa steriilin astian kuormituskykyä.

Käytä Yhdysvaltain lääke- ja elintarvikeviraston hyväksymiä varusteita, jotta steriiliys säilyy.

Tarkista sterilisaattorin käyttöoppaasta, että suunnitellut kuormat ovat yhteensopivia suunnitellun sterilointisyklin kanssa.

Tarkista astian käyttöohjeista, että suunniteltu kuorma on yhteensopiva Yhdysvaltain lääke- ja elintarvikeviraston astialle hyväksymien kuormien kanssa.

KÄYTTÖAIHEET

4 minuutin höyrysterilointi, pakkaus ja Aesculap®-astia

Instrumenttien InstruSafe®-suojausjärjestelmän laatikoiden avulla järjestetään ja suojataan muita terveydenhuollon tarjoajan steriloimia lääkintälaitteita. InstruSafe-suojausjärjestelmän laatikoita käytetään niiden sisältämien lääkintälaitteiden steriloinnissa esityhjiötä hyödyntävän höyrysterilointisyklin aikana. InstruSafe-instrumenttien suojausjärjestelmän laatikot on tarkoitettu käytettäväksi kaupallisen pakkauksen tai jäykän Aesculap-astian kanssa. InstruSafe-instrumenttien suojausjärjestelmän laatikoita ei ole tarkoitettu steriiliyden ylläpitämiseen sellaisenaan.

Autoklaavin sterilointiparametri	
Sykli	Esityhjiö
Lämpötila	132 °C (270 °F)
Sterilointiaika	4 minuuttia
Kuivausaika vähintään	30 minuuttia
Summit-laatikkomalli	Aesculap-astiamalli
IN-8823-AE	*JN444
IN-2880	*JK444
IN-6105	*JN742
<i>*Summit Medical on validoinut mallin käytettäväksi VAIN esityhjiötä hyödyntävissä höyrysterilaattoreissa 132 °C (270 °F):n lämpötilassa 4 minuutin sterilointiajalla. Tarkista astian ohjeista, ettei sisältö ylitä sterilointiastian hyväksytyjä kuormia.</i>	

Sisäaukot: esityhjiö ja höyrysterilointi 4 minuuttia			
Summit-laatikkomalli	Pienin sisähalkaisija	Enimmäispituus	Sisäaukkojen määrä
IN-8823-CF	3 mm	400 mm	4
IN-8823-CF	3 mm	200 mm	2
IN-2880	1 mm	76 mm	2
IN-2880	3 mm	177 mm	1
IN-6105	5 mm	241 mm	1
IN-2681	1 mm	65 mm	1
IN-2681	3 mm	200 mm	1
IN-7823	1 mm	400 mm	17

4 minuutin höyrysterilointi, Genesis™-astia

Instrumenttien InstruSafe®-suojausjärjestelmän laatikoiden avulla järjestetään ja suojataan muita terveydenhuollon tarjoajan steriloimia lääkintälaitteita. InstruSafe-suojausjärjestelmän laatikoita käytetään niiden sisältämien lääkintälaitteiden steriloinnissa esityhjiötä hyödyntävän höyrysterilointisyklin aikana. InstruSafe-suojausjärjestelmän laatikot on tarkoitettu käytettäväksi kaupallisten jäykkien Genesis-astioiden kanssa. InstruSafe-instrumenttien suojausjärjestelmän laatikoita ei ole tarkoitettu steriiliyden ylläpitämiseen sellaisenaan. Liitteessä A on täydellinen luettelo laitemalleista.

Sisäaukot: esityhjiö ja höyrysterilointi 4 minuuttia			
Summit-laatikkomalli	Pienin sisähalkaisija	Enimmäispituus	Sisäaukkojen määrä
IN-2681	1 mm	65 mm	1
IN-2681	3 mm	200 mm	1
IN-6105	5 mm	241mm	1
IN-0000	1 mm	400 mm	5
	3 mm	400 mm	1
	5 mm	400 mm	1

KÄYTTÖAIHEET (jatkoa)

8 minuutin pituinen höyry- ja etyleenioksidisterilointi, pakkaus ja Genesis™-astia

InstruSafe®-suojausjärjestelmän laatikoiden avulla järjestetään ja suojataan muita terveydenhuollon tarjoajan steriloimia lääkintälaitteita. InstruSafe-järjestelmän laatikoita käytetään niiden sisältämien lääkintälaitteiden steriloinnissa esityhjiötä hyödyntävän höyrysteriloinnin tai etyleenioksidisteriloinnin sterilointisykliä aikana. InstruSafe-järjestelmän laatikot on tarkoitettu käytettäväksi keskeisten kaupallisten pakkausten tai jäykkien Genesis-astioiden kanssa. InstruSafe-järjestelmän laatikoita ei ole tarkoitettu steriiliyden ylläpitämiseen sellaisenaan.

Sterilointimenetelmät ja kokoonpanot

Höyry, 8 minuuttia, esikäsittely, 132 °C	
Kääre, lankaluku 140	Kuivausaika 10 minuuttia
Pussi (Kimberly Clark)	Kuivausaika 50 minuuttia
Genesis-astia (käytettävä suodatinpaperi taulukossa 1)	Kuivausaika 30 minuuttia

Eteenioksidi (EO)
▪ Esikäsittely 1 tunti 55 °C (131 °F), ilmankosteus 70 ± 15 %
▪ Sterilointiaika 2 tuntia 55 °C (131 °F)
▪ Ilmastusaika 12 tuntia

Genesis-astia	Genesis-astian suodatinpaperi
CD2-4B	FX3-1: 9x9"
CD2-5B	FX3-1: 9x9"
CD3-4B	FX3-1: 9x9"
CD3-5B	FX3-1: 9x9"
CD3-6B	FX3-1: 9x9"
CD3-7B	FX3-1: 9x9"
CD4-5B	FO3-2: 9x6"
CD5-61B	FO3-2: 9x6"
CD6-6B	FX3-1: 9x9"

Noudata Genesis-astian käytössä V. Mueller Genesis Sterilizer Container -järjestelmän käyttöohjeita.

STERRAD® 100S- ja STERRAD® 100NX® Standard -syklit, pakkaus ja Aesculap®-astia

InstruSafe®-instrumenttien suojausjärjestelmän laatikoiden avulla järjestetään ja suojataan muita terveydenhuollon tarjoajan steriloimia lääkintälaitteita. Instrumenttien InstruSafe-suojausjärjestelmän laatikoita käytetään niiden sisältämien lääkintälaitteiden steriloinnissa Sterrad 100S Standard- ja Sterrad 100NX Standard -sterilointisykliä aikana. InstruSafe-instrumenttien suojausjärjestelmän laatikot on tarkoitettu käytettäväksi kaupallisen pakkauksen tai jäykan Aesculap-astian kanssa. InstruSafe-instrumenttien suojausjärjestelmän laatikoita ei ole tarkoitettu steriiliyden ylläpitämiseen sellaisenaan. Liitteessä A on täydellinen luettelo laitemalleista.

Seuraavat sterilointitelineet on validoitu käytettäväksi vastaavien astioiden kanssa:

STERRAD 100S Standard -sykli	
Summit-laatikkomalli	Aesculap-astiamalli
IN-8823-AE	*JM444
IN-6105	*JM440

STERRAD 100NX Standard -sykli	
Summit-laatikkomalli	Aesculap-astiamalli
IN-8823-AE	*JM444
IN-6105	*JM440

*Summit Medical on validoinut mallin käytettäväksi ainoastaan STERRAD 100S Standard -syklissä ja STERRAD 100NX Standard -syklissä. Tarkista astian ohjeista, ettei sisältö ylitä sterilointiaastian hyväksytyjä kuormia.

Sisäaukot: STERRAD 100S Standard- ja STERRAD 100NX Standard -syklit	
Ruostumaton teräs, 4 sisäaukko, sisähalkaisija 3 mm x pituus 400 mm	Kaikki sopivankokoiset mallit esitetään liitteessä A IN-2681-mallia lukuunottamatta.
Ruostumaton teräs, 2 sisäaukko, sisähalkaisija 3 mm x pituus 200 mm	
Ruostumaton teräs, 1 sisäaukko, sisähalkaisija 3 mm x pituus 200 mm	IN-2681
Ruostumaton teräs, 1 sisäaukko, sisähalkaisija 1mm x pituus 65 mm	

KÄYTTÖAIHEET (jatkoa)

STERRAD® NX® Standard -sykli, pakkaus ja Aesculap®-astia

Instrumenttien InstruSafe®-suojausjärjestelmän laatikoiden avulla järjestetään ja suojataan muita terveydenhuollon tarjoajan steriloimia lääkintälaitteita. Instrumenttien InstruSafe-suojausjärjestelmän laatikoita käytetään niiden sisältämien lääkintälaitteiden steriloinnissa Sterrad NX Standard -sterilointisyklin aikana. InstruSafe-instrumenttien suojausjärjestelmän laatikot on tarkoitettu käytettäväksi kaupallisen pakkauksen tai jäykän Aesculap-astian kanssa. InstruSafe-instrumenttien suojausjärjestelmän laatikoita ei ole tarkoitettu steriiliyden ylläpitämiseen sellaisenaan. Liitteessä A on täydellinen luettelo laitemalleista.

Sterilointimenetelmät ja kokoonpanot
- Sterrad NX Standard -sterilointisykli

Sisäaukot: STERRAD NX Standard -sterilointisykli			
Summit-laatikkomalli	Pienin sisähalkaisija	Enimmäispituus	Sisäaukkojen määrä
IN-2681	1 mm	65 mm	1
IN-2681	3 mm	200 mm	1
IN-8987-S	1 mm	500 mm	5
IN-8615	2,3 mm	210 mm	5
IN-6105	4 mm	235 mm	1

Huomautus: IN-2681-teline edustaa aukkojen ja tilavuuden suhteeseen perustuvaa huonoimman mahdollisen tilanteen mukaista validoitua kuormaa.

STERRAD® 100NX® Express -sykli, pakkaus

Instrumenttien InstruSafe®-suojausjärjestelmän laatikoiden avulla järjestetään ja suojataan muita terveydenhuollon tarjoajan steriloimia lääkintälaitteita. Instrumenttien InstruSafe-suojausjärjestelmän laatikoita käytetään niiden sisältämien lääkintälaitteiden steriloinnissa Sterrad® 100NX Express -sterilointisyklin aikana. Instrumenttien InstruSafe-suojausjärjestelmän laatikot on tarkoitettu käytettäväksi kaupallisen pakkauksen kanssa. InstruSafe-instrumenttien suojausjärjestelmän laatikoita ei ole tarkoitettu steriiliyden ylläpitämiseen sellaisenaan. Instrumenttien InstruSafe-suojausjärjestelmällä ei ole sisäaukkoihin liittyviä vaatimuksia Sterrad 100NX Express -sykliä käytettäessä.

STERRAD® 100NX® Flex -sterilointisykli, pakkaus ja Aesculap®-astia

Instrumenttien InstruSafe®-suojausjärjestelmän laatikoiden avulla järjestetään ja suojataan muita terveydenhuollon tarjoajan steriloimia lääkintälaitteita. Instrumenttien InstruSafe-suojausjärjestelmän laatikoita käytetään niiden sisältämien lääkintälaitteiden steriloinnissa Sterrad 100NX Flex -sterilointisyklin aikana. InstruSafe-instrumenttien suojausjärjestelmän laatikot on tarkoitettu käytettäväksi kaupallisen pakkauksen tai jäykän Aesculap-astian kanssa. InstruSafe-instrumenttien suojausjärjestelmän laatikoita ei ole tarkoitettu steriiliyden ylläpitämiseen sellaisenaan. Liitteessä A on täydellinen luettelo laitemalleista.

STERRAD 100NX Flex -sterilointisykli	
Summit-laatikkomalli	Aesculap-astiamalli
IN-0000	*JM440
IN-6105	*JM440

**Summit Medical on validoinut mallin käytettäväksi ainoastaan STERRAD 100NX Flex -sterilointisyklissä. Tarkista astian ohjeista, ettei sisältö ylitä sterilointiastian hyväksytyjä kuormia.*

Sisäaukot: STERRAD 100NX Flex -sterilointisykli				
Summit-laatikkomalli	Pienin sisähalkaisija	Enimmäispituus	Sisäaukkojen määrä	Pakkaus/jäykkä astia
IN-0000	1 mm	850 mm	1	Pakkaus + jäykkä astia
IN-8823	1 mm	850 mm	1	Pakkaus + jäykkä astia
IN-7344	1 mm	850 mm	1	pakkaus
IN-6105	4 mm	235 mm	1	Pakkaus + jäykkä astia

IN-0000-teline edustaa aukkojen ja tilavuuden suhteeseen perustuvaa huonoimman mahdollisen tilanteen mukaista validoitua kuormaa.

Huomautus: IN-0000-teline on tarkoitettu vain testaukseen.

KÄYTTÖAIHEET (jatkoa)

AMSCO® V-PRO® -alhaisen lämpötilan -sterilointisykli, pakkaus ja jäykkä Aesculap®-astia

InstruSafe®-instrumenttien suojausjärjestelmän laatikoiden avulla järjestetään ja suojataan muita terveydenhuollon tarjoajan steriloimia lääkintälaitteita. InstruSafe-instrumenttien suojausjärjestelmän laatikoita käytetään niiden sisältämien lääkintälaitteiden steriloinnissa Amsco V-PRO -alhaisen lämpötilan sterilointisykliä aikana. InstruSafe-instrumenttien suojausjärjestelmän laatikot on tarkoitettu käytettäväksi kaupallisen pakkauksen tai jäykän Aesculap-astian kanssa. InstruSafe-instrumenttien suojausjärjestelmän laatikoita ei ole tarkoitettu steriiliyden ylläpitämiseen sellaisenaan. Liitteessä A on täydellinen luettelo laitemalleista.

AMSCO V-PRO -alhaisen lämpötilan sterilointijärjestelmät			
Sterilisaattori	Standardi-sykli	Lumen-sykli	Ei-Lumen-sykli
V-PRO 1	X	-	-
V-PRO 1 PLUS	-	X	X
V-PRO maX	-	X	X
V-PRO maX 2	-	X	X
Summit-laatikkomalli		Aesculap-astiamalli	
IN-8823		*JM444	
IN-6105		*JM742	

**Summit Medical on validoinut mallin käytettäväksi ainoastaan AMSCO V-PRO -alhaisen lämpötilan sterilointijärjestelmissä. Kun Aesculap-astiaa käytetään steriilinä esteenä, kuorma (Summit-teline sisältöineen) ei saa ylittää astian paino- ja kuormatyyppejä koskevia rajoituksia.*

Validoitujen instrumenttien sisäaukon koko:			
Summit-laatikkomalli	Pienin sisähalkaisija	Enimmäispituus	Sisäaukkojen määrä
IN-8823	3 mm	400 mm	2
IN-6105	3 mm	200 mm	1
IN-2681	1 mm	64 mm	1

Huomautus: IN-2681-teline edustaa aukkojen ja tilavuuden suhteeseen perustuvaa huonoimman mahdollisen tilanteen mukaista validoitua kuormaa.

KÄYTTÖAIHEET (jatkoa)

VP4 Sterizone, pakkaus & Aesculap®-astia

Instrumenttien InstruSafe®-suojausjärjestelmän laatikoiden (telineiden) avulla järjestetään ja suojataan muita terveydenhuollon tarjoajan sterilioimia lääkintälaitteita. Instrumenttien InstruSafe-suojausjärjestelmän laatikoita käytetään niiden sisältämien lääkintälaitteiden steriloinnissa STERIZONE VP4 -sterilointisyklin 1 aikana. InstruSafe-instrumenttien suojausjärjestelmän laatikot on tarkoitettu käytettäviksi kaupallisen pakkauksen tai jäykkän Aesculap-astian kanssa. InstruSafe-instrumenttien suojausjärjestelmän laatikoita ei ole tarkoitettu steriiliyden ylläpitämiseen sellaisenaan.

Summit Medical on validoinut instrumenttien InstruSafe-suojausjärjestelmän laatikot STERIZONE VP4 -sterilisaattorin syklissä 1 osoittamalla sterilointitehon käyttämällä lääkintälaitteiden vastaavia näytteitä, mukaan lukien yleiset instrumentit, jäykät ja puolijäykät instrumentit luumenilla sekä joustavat endoskoopit. Validointi antoi tietoa, jota on käytetty laatimaan muotoilun rajoitukset, joita käytetään kaikissa instrumenttien InstruSafe-suojausjärjestelmän laatikoissa sen varmistamiseksi, että kaikki mallit sijoittuvat validoituihin laatikon ilmastoinnin, sisäisten hyllyjen ja painon rajoihin:

- Ilmastoinnin ja tilavuuden vähimmäissuhde, yleiset instrumentit: 0,073
- Ilmastoinnin ja tilavuuden vähimmäissuhde, joustavat endoskoopit: 0,263
- Sisäisten hyllyjen enimmäismäärä: Kaksi (2)
- Laatikon enimmäispaino (sisältö mukaan lukien): 25 paunaa/laatikko

Katso alla olevasta taulukosta validoidut kuormat, kun käytetään instrumenttien InstruSafe-suojausjärjestelmän laatikoita. Varmista sterilisaattorin valmistajan käyttöohjeista, että kuormat eivät ylitä sterilisaattorin annettuja rajoja.

Instrumenttien InstruSafe-suojausjärjestelmän kuormien kuvaus.

Vastaa STERIZONE® VP4 -sterilisaattorin validointikuorman numeroa (K190260)	Summit Medicalin validointikuorman kuvaus	Kuorman kokonaispaino (poislukien 11,33 kg kuormausteline)
4	<p>Kuorma 4a: Koostettu jäykkien ja puolijäykkien kanavoitujen instrumenttien kuormarajoituksista:</p> <ul style="list-style-type: none">• Kolme (3) kaksikanavaista puolijäykkää endoskooppia (ureteroskooppi – 0,7 mm × 500 mm ja 1,1 mm × 500 mm) pakattiin, yksi (1) laatikkoa kohden, kolmeen (3) IN 7323-R -laatikkoon.• Ylimääräisiä jäykyä kanavoituja instrumentteja lisättiin yhteensä 15 kanavan saavuttamiseksi. Jokaisessa laatikossa oli asianmukaisia, silikonisia instrumenttipidikkeitä, ja ne oli pakattu. <p>Kuorma 4b: Koostettu jäykkien ja puolijäykkien kanavoitujen instrumenttien kuormarajoituksista:</p> <ul style="list-style-type: none">• Kolme (3) kaksikanavaista puolijäykkää endoskooppia (ureteroskooppi – 0,7 mm × 400 mm ja 1,1 mm × 400 mm) pakattiin, yksi (1) laatikkoa kohden, kolmeen (3) IN-0007-TF -laatikkoon.• Ylimääräisiä jäykyä kanavoituja instrumentteja lisättiin yhteensä 15 kanavansaavuttamiseksi. Jokaisessa laatikossa oli asianmukaisia instrumenttipidikkeitä, ja ne asetettiin Aesculap JM440 -astiaan.	<p>Kuorma 4a = 5 paunaa/laatikko, 15 paunaa yhteensä</p> <p>Kuorma 4b = 11 paunaa/laatikko, 33 paunaa yhteensä</p>
7	<p>Summit Medicalin validointikuorma 7a: Koostettu yleisten lääkinnällisten instrumenttien kuorman painorajoituksista, jotka edustivat seuraavia kokoonpanoja:</p> <ul style="list-style-type: none">• Laatikon kannen sarana• Tappisarana• Luer-lock <p>Yleiset lääkinnälliset instrumentit jaettiin kolmeen (3) IN-7323-R -laatikkoon, joissa oli asianmukaiset silikonipidikkeet, ja kukin painoi 25 paunaa. Laatikot pakattiin.</p> <p>Summit Medicalin validointikuorma 7b: Koostettu yleisten lääkinnällisten instrumenttien kuorman painorajoituksista, jotka edustivat seuraavia kokoonpanoja:</p> <ul style="list-style-type: none">• Laatikon kannen sarana• Tappisarana• Luer-lock <p>Yleiset lääkinnälliset instrumentit jaettiin kolmeen (3) IN-0006-TF -laatikkoon, joissa oli asianmukaiset silikonipidikkeet. Laatikot asetettiin Aesculap JM440 -astioihin, joista kukin painoi 25 paunaa.</p>	<p>Kuorma 7a = 25 paunaa/laatikko 75 paunaa yhteensä</p> <p>Kuorma 7b = 25 paunaa/laatikko 75 paunaa yhteensä</p>
8	<p>Summit Medicalin validointikuorma 8a: Koostettu yhteensä viiden (5) taipuisan endoskoopin kanavan kuormarajoituksesta pakatuissa laatikoissa:</p> <ul style="list-style-type: none">• Kaksi (2) kaksikanavaista taipuisaa endoskooppia (ureteroskooppi – 1 mm x 850 mm ja 1 mm x 989 mm) pakattiin, yksi (1) laatikkoa kohden, IN-0003-R-laatikoihin.• Yksi (1) yksikanavaainen taipuisa endoskooppi (ureteroskooppi – 1 mm x 850 mm) pakattiin IN-0004-R-laatikkoon. <p>Laatikoissa oli asianmukaisia silikonipidikkeitä, ja ne oli pakattu.</p> <p>Summit Medicalin validointikuorma 8b: Koostettu yhteensä neljän (4) taipuisan endoskoopin kanavan kuormarajoituksesta jäykkiin astioihin pakatuissa laatikoissa:</p> <ul style="list-style-type: none">• Kaksi (2) kaksikanavaista taipuisaa endoskooppia (ureteroskooppi – 1 mm x 850 mm ja 1 mm x 989 mm) pakattiin, yksi (1) laatikkoa kohden, IN-0003-TF-laatikoihin, joissa oli asianmukaiset silikonipidikkeet. <p>Kukin laatikko asetettiin Aesculap JM442 -astiaan.</p>	<p>Kuorma 8a = 4,3 paunaa/laatikko, 13 paunaa yhteensä</p> <p>Kuorma 8b = 8,3 paunaa/laatikko, 25 paunaa yhteensä</p>

SÄILYTYS

Säilytys paketoituja tai astiassa olevia steriloituja laatioita hyllyllä vaakatasossa. Säilyvyysaikaa koskevia tietoja saat pakkauksen tai astian valmistajalta.

HÄVITTÄMINEN

Siinä tapauksessa, että InstruSafe-instrumenttien suojausjärjestelmät eivät läpäise tarkastusta ennen käyttöä tai jos niiden ei katsota muuten olevan enää tarkoitukseen soveltuvia, laitteet on hävitettävä paikallisten käytäntöjen mukaisesti. Hävitysmenetelmän on oltava riippuvainen ristikontaminaation ja tartunnan mahdollisista riskeistä, kun hävittämisen tarve on tunnistettu.

VAKAVIEN TAPAHTUMIEN RAPORTOINTI

Kaikista laitteeseen liittyvistä vakavista tapahtumista on ilmoitettava valmistajalle ja FDA:lle / sen jäsenvaltion toimivaltaiselle viranomaiselle, johon käyttäjä ja/tai potilas on sijoittautunut.

TAKUU

SUMMIT MEDICAL INSTRUSAFE -INSTRUMENTTISUOJAUSJÄRJESTELMÄN RAJOITETTU TAKUU.

TÄMÄ RAJOITETTU TAKUU JA TÄSSÄ ESITETTY OIKEUSKEINO OVAT YKSINOMAISIA JA VOIMASSA KAIKKIEN MUIDEN NIMENOMAISTEN TAKUIDEN SIJASTA, JA ELLEI TÄSSÄ MUUTA ILMOITETA, KAIKKI MUIDEN HENKILÖIDEN TAI YRITYSTEN TEKEMÄT ILMOITUKSET JA ESITYKSET OVAT MITÄTTÖMIÄ. MYYNTIKELPOISUUTTA JA SOVELTUVUUTTA TIETTYYN TARKOITUKSEEN KOSKEVIEN EPÄSUORIEN TAKUIDEN KESTO RAJOITTUU NIMENOMAISEN RAJOITETUN TAKUUN KESTOON. SUMMIT MEDICAL JA SEN TYTÄRYHTIÖT EIVÄT OLE VASTUUSSA MISTÄÄN EPÄSUORISTA, SATTUMANVARAISISTA TAI ERITYISISTÄ MENETYKSISTÄ TAI VAHINGOISTA, JOTKA AIHEUTUVAT INSTRUSAFE-JÄRJESTELMÄN KÄYÖSTÄ TAI SEN KÄYTÖN OSAAMATTOMUUDESTA RIIPPUMATTA SIITÄ, LIITTYVÄTKÖ NE TAKUUEHTOJEN RIKKOMISEEN TAI OVATKO NE MINKÄÄN MUUN VASTUUTEORIAN ALAISIA.

Tämä takuu antaa sinulle laillisia oikeuksia, mutta sinulla voi olla lisäksi muitakin oikeuksia. Tämä vaihtelee eri maiden välillä. Joissain valtioissa ei sallita epäsuorien takuiden keston rajoittamista tai epäsuorien tai välillisten vastuiden rajoittamista tai poissulkemista, joten yllä olevat rajoitukset ja poissulkemiset eivät ehkä koske sinua.

Takuun laajuus. Summit Medical takaa alkuperäiselle ostajalle, että tähän rajoitettuun takuuseen sisältyvä InstruSafe-järjestelmä on valmistajan teknisten tietojen mukainen eikä siinä ole valmistus- ja materiaalivikoja 12 kuukauden aikana alkuperäisestä ostopäivämäärästä lähtien. Jos alkuperäinen ostaja siirtää InstruSafe-järjestelmän toiselle osapuolelle, kyseinen osapuoli, jolle tuote siirretään, ei voi panna täytäntöön tätä rajoitettua takuuta.

Ongelmien korjaaminen. Jos InstruSafe-järjestelmässä ilmenee vika yllä mainittuna aikana, siitä on ilmoitettava Summit Medicalille tai Summit Medicalin valtuutetulle jälleenmyyjälle tai kauppiaille. Summit Medicalille tai sen edustajille on annettava lupa tehdä Summit Medicalin tarpeelliseksi katsomia selvityksiä, tutkimuksia ja testejä, ja tuote on pyydettyäessä palautettava tehtaalle jäljempänä ilmoitettuun osoitteeseen. Summit Medicalin ainoa velvollisuus tämän rajoitetun takuun nojalla on harkintansa mukaan korjata tai vaihtaa viallinen tuote tai vialliset tuotteet veloittamatta työstä tai osista aiheutuvia kustannuksia. InstruSafe-järjestelmän takuuhuoltoon lähettämistä aiheutuvat posti-, vakuutus- tai kuljetuskustannukset ovat sinun vastuullasi.

Mitä takuu ei kata. Tämä rajoitettu takuu edellyttää tuotteen oikeanlaista käyttöä ja kunnossapitoa; se ei kata väärin kuljetettuja tuotteita eikä väärinkäytettyjä, väkivaltaisesti käytettyjä, laiminlyötyjä eikä väärin kunnossapidettyjä, puhdistettuja tai säilytettyjä tuotteita eikä tuotteita, jotka muu kuin Summit Medical tai Summit Medicalin valtuutettu jälleenmyyjä tai kauppias on huoltanut, eikä tuotteita, joita on muokattu ilman Summit Medicalin nimenomaista hyväksyntää. Omistajan oppaassa annettujen ohjeiden noudattamatta jättämistä voidaan pitää tuotteen virheellisenä käyttönä tai kunnossapitona, joka mitätöi tämän rajoitetun takuun. Tämä takuu ei koske tavanomaista kulumista eikä vaihdettavia tuotteita.

Yhteystiedot tätä takuuta koskevia kysymyksiä tai vaatimuksia varten:

Ongelmien korjaaminen
Summit Medical
815 Vikings Parkway, Suite 100
St. Paul, MN 55121 | USA
www.instrusafe.com

PUHELIN: 651 789 3939 | 888 229 2875
FAKSI: 651 789 3979 | 888 229 1941
SÄHKÖPOSTI: customerservice@innoviamedical.com

Οι οδηγίες που παρέχονται με το παρόν έχουν εγκριθεί από τον κατασκευαστή της συσκευής ως προς τη δυνατότητα επανεπεξεργασίας επαναχρησιμοποιήσιμων ιατρικών συσκευών.

Οι επιμέρους αποστειρωτές, η καθαριότητα των οργάνων, η ειδική φόρτωση δίσκων οργάνων, οι τύποι και η γεωμετρία των οργάνων, οι περιέκτες αποστείρωσης, τα φίλτρα και τα περιτυλίγματα διαφέρουν σε κάθε τοποθεσία.

ΔΙΑΒΑΣΤΕ ΑΥΤΗΝ ΤΗΝ ΕΝΟΤΗΤΑ ΠΡΟΤΟΥ ΘΕΣΕΤΕ ΤΟ ΠΡΟΪΟΝ ΣΕ ΛΕΙΤΟΥΡΓΙΑ

ΠΡΟΒΛΕΠΟΜΕΝΗ ΧΡΗΣΗ/ΣΥΝΟΨΗ ΕΝΔΕΙΞΕΩΝ ΧΡΗΣΗΣ

Οι κασέτες/δίσκοι των συστημάτων προστασίας οργάνων InstruSafe® προορίζονται για να περιέχουν και να προστατεύουν επαναχρησιμοποιούμενες ιατρικές συσκευές κατά τη διαδικασία μεταφοράς, αποστείρωσης και αποθήκευσης. Οι κασέτες/δίσκοι των συστημάτων προστασίας οργάνων InstruSafe® χρησιμοποιούνται για την οργάνωση και την προστασία άλλων ιατρικών συσκευών που αποστειρώνονται από πάροχο υγειονομικής περίθαλψης. Οι κασέτες/δίσκοι των συστημάτων προστασίας οργάνων InstruSafe® προορίζονται για να επιτρέπουν την αποστείρωση των ιατρικών συσκευών που περιέχουν κατά τη διάρκεια των ακόλουθων κύκλων αποστείρωσης:

- Προ-κενού - Ατμός (ISO 17665-1 και EN 285)
- Αιθυλενοξειδίο (ISO 11135)
- Εγκεκριμένη αποστείρωση χαμηλής θερμοκρασίας (ISO 14937), δηλαδή
 - STERRAD® 100S Standard (short) ▪ STERIS® AMSCO® V-PRO 1®, V-PRO 1 Plus, V-PRO maX και V-PRO maX 2
 - STERRAD® 100NX® Express, Standard και Flex ▪ Sterizone® VP4
 - STERRAD® NX® Standard

Οι κασέτες/δίσκοι των συστημάτων προστασίας οργάνων InstruSafe δεν προορίζονται να διατηρούν τη στεριότητα από μόνες τους. Οι κασέτες/δίσκοι των συστημάτων προστασίας οργάνων InstruSafe προορίζονται για χρήση σε συνδυασμό με νομίμως διαθέσιμο στο εμπόριο περιτύλιγμα με άκαμπτους περιέκτες Aescular® ή με άκαμπτους περιέκτες Genesis™.

Οι περιέκτες αποστείρωσης InstruSafe έχουν λάβει έγκριση για χρήση με τις κασέτες/τους δίσκους των συστημάτων προστασίας οργάνων InstruSafe, (προ-κενού, 270°F (132°C), μόνο κύκλος αποστείρωσης με ατμό 4 λεπτών) σύμφωνα με το 510(k) K180528. Για περισσότερες πληροφορίες, ανατρέξτε στις οδηγίες χρήσης του περιέκτη αποστείρωσης InstruSafe®.

Ένας πλήρης κατάλογος με τα μοντέλα συσκευών παρέχεται στο Παράρτημα Α, το οποίο μπορείτε να βρείτε στη διεύθυνση www.instrusafe.com/ifus.

ΠΕΡΙΓΡΑΦΗ ΣΥΣΚΕΥΗΣ

Τα συστήματα προστασίας οργάνων Summit Medical Instrusafe είναι κασέτες/δίσκοι που χρησιμοποιούνται για να περικλείουν και να συγκρατούν χειρουργικά όργανα και παρελκόμενα οργάνων με οργανωμένο τρόπο, κατά τη διαδικασία αποστείρωσης και τη μετέπειτα αποθήκευση και μεταφορά. Οι κασέτες/δίσκοι δεν έρχονται σε άμεση επαφή με τον ασθενή. Οι κασέτες/δίσκοι δεν διατηρούν τη στεριότητα από μόνες/οι τους. Οι κασέτες/δίσκοι υπάρχουν σε διάφορα μεγέθη με την ίδια βασική διαμόρφωση: ορθογώνια βάση με κάλυμμα που κλείνει με μάνδαλο. Οι κασέτες/δίσκοι διαθέτουν διατρήσεις για να είναι εφικτή η διείσδυση του μέσου αποστείρωσης. Οι κασέτες/δίσκοι περιέχουν ένθετα σιλικόνης στη βάση ή/και το κάλυμμα για τη συγκράτηση, την οργάνωση και την προστασία των χειρουργικών οργάνων εντός της κασέτας/του δίσκου, κατά τη διαδικασία αποστείρωσης και τη μετέπειτα αποθήκευση και μεταφορά.

ΠΡΟΒΛΕΠΟΜΕΝΟΙ ΧΡΗΣΤΕΣ

Τα συστήματα προστασίας οργάνων InstruSafe® προορίζονται για χρήση από επαγγελματίες του τομέα της υγείας στο χειρουργείο και στο τμήμα αποστείρωσης, για τη μεταφορά, την αποστείρωση και την αποθήκευση ιατρικών συσκευών.

ΠΕΡΙΟΡΙΣΜΟΙ ΣΤΗΝ ΕΠΕΞΕΡΓΑΣΙΑ

1. Το τέλος της διάρκειας ζωής του συστήματος προστασίας οργάνων Instrusafe επέρχεται μετά από τουλάχιστον 25 κύκλους αποστείρωσης. Ελέγξτε το δίσκο, πριν από τη χρήση, για φθορές και ζημιές που ενδέχεται να έχουν προκληθεί από τη χρήση. Σταματήστε τη χρήση αν υπάρχουν ορατές ενδείξεις φθοράς, όπως διάβρωση, μηχανικά προβλήματα, ραγίσματα, ξεφλουδίσματα, σχηματισμός φολιδών, σπασμένες κολλήσεις, κατεστραμμένες βάσεις και μάνδαλα, κατεστραμμένες υποδοχές Hold-Its®/Hold-Downs®, αποχρωματισμός κλπ.
2. Ανατρέξτε στον **Πίνακα 2** για μεθόδους αποστείρωσης και διαμορφώσεις.
3. **ΜΗΝ ΥΠΕΡΦΟΡΤΩΝΕΤΕ** τα συστήματα ή τα εξαρτήματα InstruSafe.
4. **ΜΗΝ ΥΠΕΡΦΟΡΤΩΝΕΤΕ** τις μεμονωμένες υποδοχές Hold-Its. Τοποθετείτε μόνο ένα όργανο ανά υποδοχή Hold-Its.
5. Αν χρησιμοποιείτε άκαμπτους περιέκτες, **ΜΗΝ ΠΕΡΙΤΥΛΙΓΕΤΕ** τα συστήματα ή τα εξαρτήματα InstruSafe όταν τα τοποθετείτε μέσα στον περιέκτη για αποστείρωση.
6. Στο εσωτερικό των αποστειρωτών, **ΜΗΝ ΣΤΟΙΒΑΖΕΤΕ** μεμονωμένα περιτυλιγμένα ή εγκιβωτισμένα συστήματα ή εξαρτήματα InstruSafe. Διαχωρίζετε τα περιτυλιγμένα ή εγκιβωτισμένα συστήματα ή εξαρτήματα InstruSafe μεταξύ τους ή από άλλα αντικείμενα σε διαφορετικά ράφια του αποστειρωτή, ώστε να διασφαλίζεται η μέγιστη ροή του μέσου απολύμανσης.
7. Η χρήση μη απορροφητικών επενδύσεων δίσκων (π.χ. στρώμα οργάνωσης με προεξοχές σιλικόνης) ενδέχεται να προκαλέσει τη συγκέντρωση συμπυκνώματος. Αν παρατηρήσετε ορατή υγρασία, αποστειρώστε ξανά με μεγαλύτερο χρόνο στεγνώματος.
8. Το συνολικό βάρος του συστήματος περιέκτη (δηλαδή του περιέκτη, του δίσκου και του φορτίου οργάνων) δεν πρέπει να υπερβαίνει τα 11,34 κιλά (25 λίβρες).
9. Τα όργανα (π.χ. ενδοσκόπια και όργανα με αυλούς ή κανάλια) πρέπει να προετοιμάζονται και να αποστειρώνονται σύμφωνα με τις οδηγίες του κατασκευαστή τους.
10. Επαφίεται στην ευθύνη του εκτελούντος την επεξεργασία να τηρεί ειδικές επικυρώσεις για την διαδικασία αποστείρωσης στον τελικό περιέκτη, οι οποίες εφαρμόζονται στις διαμορφώσεις των οργάνων και των περιεκτών που υποβάλλονται στη διαδικασία αποστείρωσης.
11. Ανατρέξτε στις οδηγίες χρήσης του κατασκευαστή του αποστειρωτή για περαιτέρω περιορισμούς (π.χ. περιορισμοί διαστάσεων ή βάρους)

ΠΡΟΕΙΔΟΠΟΙΗΣΕΙΣ

- Για συστήματα InstruSafe αλουμινίου, χρησιμοποιείτε μόνο απορρυπαντικά με ουδέτερο pH (6,0 - 8,5) για να αποφύγετε την πρόκληση ζημιάς στο φινίρισμα. Απορρυπαντικά με ιδιαίτερα όξινο ή ιδιαίτερα αλκαλικό pH θα μπορούσαν να προκαλέσουν μόνιμη ζημιά στο φινίρισμα από ανοδιωμένο αλουμίνιο της κασέτας και στα μεταλλικά εξαρτήματα.
- Μην χρησιμοποιείτε αν η συσκευασία είναι κατεστραμμένη ή έχει ανοιχτεί ακούσια πριν από τη χρήση.

Σημείωση: Καθαρίζετε και επιθεωρείτε τις κασέτες σύμφωνα με τις οδηγίες, πριν τις θέσετε σε λειτουργία.

ΓΕΝΙΚΕΣ ΠΡΟΦΥΛΑΞΕΙΣ

- Το προσωπικό θα πρέπει να φέρει πλήρη προστατευτική ενδυμασία και εξοπλισμό, όπως απαιτείται από τις λειτουργικές διαδικασίες του εργοδότη/ τμήματός τους για το επίπεδο μόλυνσης στο οποίο θα εκτεθεί.
- Κατά τη διάρκεια της αποστείρωσης, διατηρείτε τα ανόμοια μέταλλα ξεχωριστά έτσι ώστε να αποφευχθεί η διάβρωση.

ΣΗΜΕΙΟ ΧΡΗΣΗΣ

Αφαιρέστε τους συμπαγείς ρύπους με πανί μίας χρήσης ή χαρτοπετσέτα. Τα μολυσμένα εξαρτήματα θα πρέπει να διατηρούνται υγρά μέχρι να εφαρμοστεί εξειδικευμένη διαδικασία καθαρισμού.

ΚΑΘΑΡΙΣΜΟΣ

Ανατρέξτε στις οδηγίες χρήσης του κατασκευαστή για ειδικές οδηγίες σχετικά με τον καθαρισμό των οργάνων που περιέχονται στις κασέτες.

Για τον καθαρισμό της κασέτας/του δίσκου, συνιστάται η εφαρμογή μίας από τις ακόλουθες εγκεκριμένες επιλογές καθαρισμού.

Χρησιμοποιείτε μόνο διαλύματα με ουδέτερο pH (6,0 – 8,5), χωρίς ανθρακικό νάτριο, για να αποφύγετε την πρόκληση ζημιών στο φινίρισμα των κασετών αλουμινίου.

ΜΗ χρησιμοποιείτε σύρμα ή διαβρωτικά καθαριστικά. **ΜΗΝ** αποθηκεύετε την κασέτα μέσα σε υγρό.

1. Χειρωνακτικός αδρός καθαρισμός:

- Απαιτούμενα υλικά: Ενζυματικό απορρυπαντικό με ουδέτερο pH (6,0 – 8,5) μαλακή βούρτσα και τρεχούμενο νερό.
- Αφαιρέστε όλους τους ορατούς ρύπους χρησιμοποιώντας μια μαλακή βούρτσα. Κατά τη διάρκεια του καθαρισμού θα πρέπει να εμβαπτίζεται ολόκληρη η κασέτα για τουλάχιστον 2 λεπτά, ώστε να διευκολυνθεί η αφαίρεση των ρύπων και να μειωθεί το πιπίλισμα του προσωπικού με απορρυπαντικό.
- Ξεπλύνετε καλά για τουλάχιστον 1 λεπτό με καθαρό νερό για να φύγει όλο το απορρυπαντικό. Βλ. οδηγίες ξεβγάλματος στην ετικέτα του απορρυπαντικού.

2. Καθαρισμός με υπερήχους:

- Ετοιμάστε το ενζυματικό διάλυμα καθαρισμού σε μια μονάδα καθαρισμού υπερήχων.
- Τοποθετήστε μια μεμονωμένη κασέτα στο απορρυπαντικό και εκτελέστε καθαρισμό για τουλάχιστον δέκα λεπτά.
- Ξεπλύνετε τουλάχιστον για 2 λεπτά με κρύο νερό βρύσης.
- Ελέγξτε οπτικά την κασέτα για ρύπους. Αν χρειάζεται, επαναλάβετε τη διαδικασία για να αφαιρέσετε τους ορατούς ρύπους.

3. Αυτόματο πλυντήριο:

Τα συστήματα προστασίας οργάνων InstruSafe είναι εγκεκριμένα για τους κύκλους αυτόματου συστήματος πλύσης που παρατίθενται στον **Πίνακα 1**. Ο εκτελών την επεξεργασία θα πρέπει να προβαίνει στην πιστοποίηση των ειδικών παραμέτρων.

Πίνακα 1

ΚΥΚΛΟΣ	ΘΕΡΜΟΚΡΑΣΙΑ ΝΕΡΟΥ	ΔΙΑΔΙΚΑΣΙΑ ΚΑΘΑΡΙΣΜΟΥ
Πρόπλυση 1 & 2	Κρύο νερό βρύσης	Χρόνος ανακυκλοφορίας: 2 λεπτά
Ενζυματικό καθαριστικό	Ζεστό νερό βρύσης	Χρόνος διαποτισμού: 4 λεπτά
Πλύση 1	Θέρμανση στους 150°F (65,5°C)	Χρόνος ανακυκλοφορίας: 15 λεπτά
Ξέπλυμα 1 & 2	Ζεστό νερό βρύσης	Χρόνος ανακυκλοφορίας: 5 λεπτά

Σημείωση: Μετά την ολοκλήρωση ενός αυτόματου κύκλου πλύσης, ελέγχετε οπτικά το σύστημα InstruSafe (κασέτα και παρελκόμενα) για τυχόν ρύπους που έχουν απομείνει. Οι ορατοί ρύποι πρέπει να αφαιρούνται με χειρωνακτικό καθαρισμό, βούρτσισμα, υπερήχους ή πρόσθετους αυτόματους κύκλους, πριν από την αποστολή για αποστείρωση.

ΑΠΟΛΥΜΑΝΣΗ

Τα συστήματα InstruSafe προορίζονται για αποστείρωση στην τελική συσκευασία.

ΣΥΝΤΗΡΗΣΗ, ΕΠΙΘΕΩΡΗΣΗ ΚΑΙ ΔΟΚΙΜΗ

Τα συστήματα InstruSafe μπορούν να επαναχρησιμοποιηθούν έως ότου εμφανιστεί μη αποδεκτή υποβάθμιση όπως διάβρωση, ράγισμα, σκουριά, ξεφλούδισμα, σχηματισμός φολιδών, αποχρωματισμός ή μηχανικό πρόβλημα.

Ενδείξεις μηχανικού προβλήματος αποτελούν, μεταξύ άλλων:

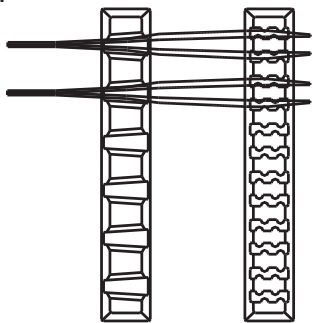
- Σπασμένες ή ραγισμένες γωνίες ή συγκολλήσεις
- Μάνδαλα που έχουν σπάσει ή δεν λειτουργούν
- Τα ένθετα σιλικόνης που είναι σχισμένα, κομμένα ή λείπουν
- Βάσεις που παρουσιάζουν ζημιές ή λείπουν

ΣΥΝΑΡΜΟΛΟΓΗΣΗ

1. Τοποθετήστε τα όργανα στις προκαθορισμένες υποδοχές ή στην περιοχή που ορίζεται από τους στυλίσκους εντοπισμού, έτσι ώστε όλες οι επιφάνειες των οργάνων να εκτίθενται στο μέσο αποστείρωσης. Βλ **Εικόνα Α**. Βεβαιωθείτε ότι σε κάθε εγκοπή υπάρχει μόνο ένα όργανο. Όταν είναι εφικτό, αποσυναρμολογείτε ή ανοίγετε όλα τα μέρη των οργάνων σύμφωνα με τις οδηγίες του κατασκευαστή.

ΜΗΝ υπερφορτώνετε τις υποδοχές και μην υπερβαίνετε τα όρια βάρους στις κασέτες. Βλ. Παράρτημα Α.

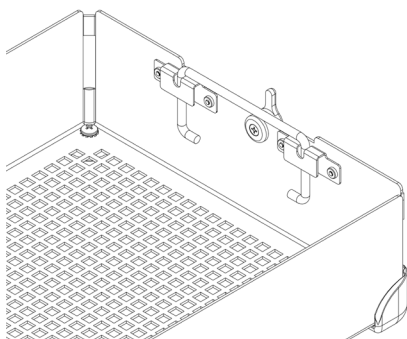
Σχήμα Α.



Σημείωση: Τα όργανα (π.χ. ενδοσκόπια και όργανα με αυλούς ή κανάλια) πρέπει να προετοιμάζονται και να αποστειρώνονται σύμφωνα με τις οδηγίες χρήσης των κατασκευαστών τους.

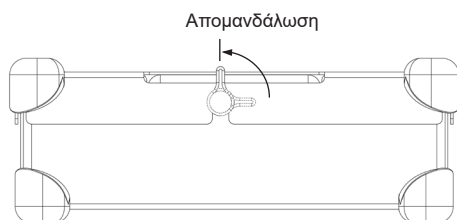
2. Βεβαιωθείτε ότι οι λαβές είναι τοποθετημένες μέσα στην κασέτα (ανασυρμένη θέση). Απεικόνιση στο **Εικόνα Β**.

Σχήμα Β.



3. Τοποθετήστε το κάλυμμα της κασέτας στη βάση της κασέτας, εξασφαλίζοντας ότι τα μάνδαλα είναι σωστά τοποθετημένα στην αντίστοιχη εγκοπή του καλύμματος της κασέτας και, κατόπιν, κλείστε τα μάνδαλα. Βλ. **Εικόνα C**.

Εικόνα C.



Σημείωση: Τα μάνδαλα είναι μετατοπισμένα, έτσι ώστε το κάλυμμα της κασέτας να ευθυγραμμίζεται πάντοτε σωστά με τη βάση. Αυτό εξασφαλίζει ότι οι υποδοχές είναι ευθυγραμμισμένες όταν το κάλυμμα είναι ασφαλισμένο.

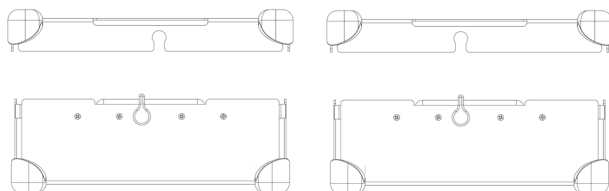
Βλ. **Εικόνα D** για τη σωστή ευθυγράμμιση.

ΜΗΝ πιέζετε με δύναμη το κάλυμμα της κασέτας στη βάση της, γιατί ενδέχεται να προκληθούν ζημιές στα όργανα και στη βάση.

Εικόνα D.

Λάθος ευθυγράμμιση

Σωστή ευθυγράμμιση



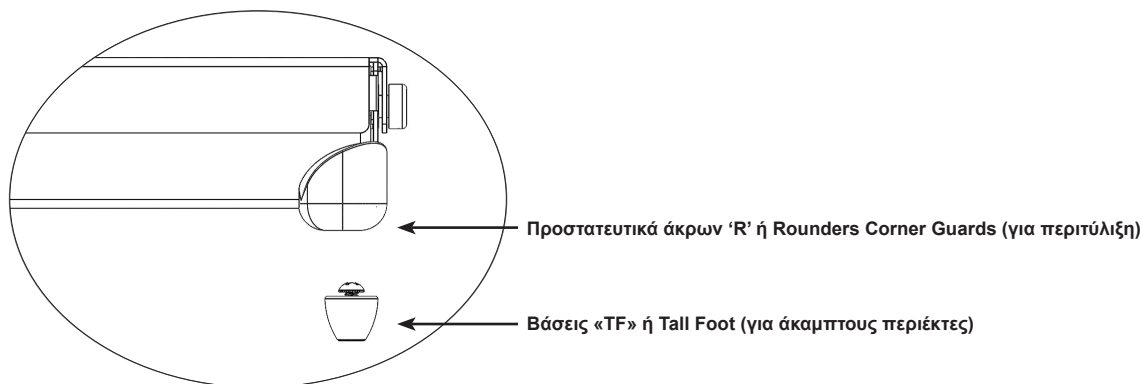
ΣΥΣΚΕΥΑΣΙΑ

Τα συστήματα InstruSafe μπορούν να τυλιχθούν με ένα νομίμως διαθέσιμο στην αγορά περιτύλιγμα ή να τοποθετηθούν σε νομίμως διαθέσιμο στην αγορά άκαμπτο περιέκτη. Ανατρέξτε στις δηλώσεις περί ενδείξεων χρήσης που περιλαμβάνονται στις οδηγίες χρήσης.

Χρήση με περιτύλιγμα:

1. Προτού τυλίξετε την κασέτα, βεβαιωθείτε ότι έχει το σωστό είδος βάσεων. Ο τύπος R θα πρέπει να χρησιμοποιείται με περιτύλιγμα. Βλ. **Εικόνα F**.

Εικόνα F.



2. Τυλίξτε την κασέτα χρησιμοποιώντας ένα νόμιμα διαθέσιμο στην αγορά περιτύλιγμα, σύμφωνα με τις οδηγίες του κατασκευαστή του περιτυλίγματος.

3. Αποστειρώστε τη συσκευασία εφαρμόζοντας έναν από τους κύκλους αποστείρωσης που αναφέρονται στις οδηγίες χρήσης.

Χρήση με άκαμπτο περιέκτη:

Ανατρέξτε στις δηλώσεις περί ενδείξεων χρήσης που περιλαμβάνονται στις οδηγίες χρήσης.

1. Προτού τοποθετήσετε την κασέτα σε άκαμπτο περιέκτη, βεβαιωθείτε ότι έχει το σωστό είδος βάσεων. Ο τύπος TF θα πρέπει να χρησιμοποιείται με άκαμπτο περιέκτη. Βλ. **Εικόνα F**.

2. Τοποθετήστε την κασέτα στον άκαμπτο περιέκτη. Για να σφραγίσετε τον περιέκτη, ακολουθήστε τις οδηγίες του κατασκευαστή του.

Σημείωση: Μην τυλίγετε τις κασέτες πριν τις τοποθετήσετε στον περιέκτη για αποστείρωση.

3. Αποστειρώστε τον περιέκτη και τα περιεχόμενα εφαρμόζοντας έναν από τους κύκλους αποστείρωσης που αναφέρονται στις οδηγίες χρήσης.

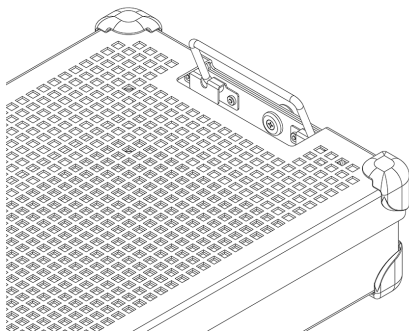
Πρόσθετες πληροφορίες:

Για να αφαιρέσετε την κασέτα από έναν άκαμπτο περιέκτη ασηπτικά, ακολουθήστε τις οδηγίες χρήσης του κατασκευαστή του περιέκτη.

1. Φορώντας γάντια, φέрте τις παλάμες προς τα έξω και περάστε τα χέρια σας από τα ανοίγματα στο κάλυμμα της κασέτας.

2. Πιάστε τις λαβές της κασέτας, και ανασηκώστε τις στην ανυψωμένη θέση. Βλ. **Εικόνα G**.

Εικόνα G.



3. Κλίνετε τις λαβές προς τα μέσα, απομακρύνοντάς τις από τις πλευρές του άκαμπτου περιέκτη, και ανυψώστε την κασέτα έξω από τον περιέκτη προσέχοντας να μην αγγίξετε το επάνω ή το εξωτερικό μέρος του περιέκτη.

4. Τοποθετήστε την κασέτα σε μια αποστειρωμένη επιφάνεια.

ΑΠΟΣΤΕΙΡΩΣΗ

Βλ. Πίνακα 2 για τις παραμέτρους αποστείρωσης που έχουν πιστοποιηθεί για την αποστείρωση των συστημάτων InstruSafe.

Πίνακας 2.

ΜΕΘΟΔΟΣ ΑΠΟΣΤΕΙΡΩΣΗΣ	ΚΥΚΛΟΣ (χρόνοι)
Προ-κενού Ατμός	Παράμετροι: Θερμοκρασία 270°F (132°C) Χρόνος έκθεσης 4 λεπτά Χρόνος στεγνώματος 30 λεπτά
Αιθυλενοξειδίο (EO)	Προπαρασκευή: Θερμοκρασία 131°F (55°C) Σχετική υγρασία 70 ± 15% Χρόνος προπαρασκευής 1 ώρα Αποστείρωση: Χρόνος έκθεσης 120 λεπτά Θερμοκρασία 131°F (55°C) Χρόνος αερισμού 12 ώρες
STERRAD 100S	Standard
STERRAD 100NX	Standard, Express, Flex
STERRAD NX	Standard
STERIS AMSCO V-PRO 1	Standard
STERIS AMSCO V-PRO 1 PLUS	Αυλού, Μη αυλού
STERIS AMSCO V-PRO maX	Αυλού, Μη αυλού
STERIS AMSCO V-PRO maX 2	Αυλού, Μη αυλού
Sterizone VP4	Κύκλος 1

Η Summit Medical έχει εγκρίνει τις ακόλουθες μεθόδους αποστείρωσης :

- Κύκλος αποστείρωσης 4 λεπτών σε αυτόκαυστο σε νόμιμα διαθέσιμο στην αγορά περιτύλιγμα, περιέκτη αποστείρωσης InstruSafe, άκαμπτο περιέκτη Aescular ή άκαμπτο περιέκτη Genesis με έγκριση του FDA. Σύμφωνα με το K180528, ο περιέκτης αποστείρωσης InstruSafe έχει λάβει έγκριση για χρήση με τις κασέτες/τους δίσκους των συστημάτων προστασίας οργάνων InstruSafe.
- Κύκλος αποστείρωσης αιθυλενοξειδίου (EO) σε νόμιμα διαθέσιμο στην αγορά περιτύλιγμα ή σε αποστειρωμένο περιέκτη Genesis με έγκριση του FDA.
- Κύκλος αποστείρωσης STERRAD 100S Standard σε νόμιμα διαθέσιμο στην αγορά περιτύλιγμα ή σε άκαμπτο περιέκτη Aescular με έγκριση του FDA.
- Κύκλος αποστείρωσης STERRAD 100NX Standard σε νόμιμα διαθέσιμο στην αγορά περιτύλιγμα ή σε άκαμπτο περιέκτη Aescular με έγκριση του FDA.
- Κύκλος αποστείρωσης STERRAD 100NX Express σε νόμιμα διαθέσιμο στην αγορά περιτύλιγμα με έγκριση του FDA.
- Κύκλος αποστείρωσης STERRAD 100NX Flex σε νόμιμα διαθέσιμο στην αγορά περιτύλιγμα ή σε άκαμπτο περιέκτη Aescular με έγκριση του FDA.
- Κύκλος αποστείρωσης STERRAD NX Standard σε νόμιμα διαθέσιμο στην αγορά περιτύλιγμα ή σε άκαμπτο περιέκτη Aescular με έγκριση του FDA.
- Κύκλοι αποστείρωσης STERIS AMSCO V-PRO 1, V-PRO 1 PLUS, V-PRO maX και V-PRO maX 2 σε νόμιμα διαθέσιμο στην αγορά περιτύλιγμα ή σε άκαμπτο περιέκτη Aescular με έγκριση του FDA.
- Κύκλος αποστείρωσης Sterizone VP4 σε νόμιμα διαθέσιμο στην αγορά περιτύλιγμα ή σε άκαμπτο περιέκτη Aescular με έγκριση του FDA.

MHN υπερβαίνει τη δυνατότητα φορτίου του αποστειρωμένου περιέκτη, όπως ορίζεται από τον κατασκευαστή.

Για τη διατήρηση της στείρωσης, χρησιμοποιήστε ένα παρελκόμενο με έγκριση του FDA.

Συμβουλευθείτε το εγχειρίδιο οδηγιών του αποστειρωτή για να διασφαλίσετε ότι τα προβλεπόμενα φορτία είναι συμβατά με τον προβλεπόμενο κύκλο αποστείρωσης.

Συμβουλευθείτε τις οδηγίες χρήσης του περιέκτη για να διασφαλίσετε ότι το προβλεπόμενο φορτίο είναι συμβατό με τα εγκεκριμένα από τον FDA φορτία για τον περιέκτη.

ΕΝΔΕΙΞΕΙΣ ΧΡΗΣΗΣ

4 Λεπτά με ατμό, περιτύλιγμα και άκαμπτο περιέκτη Aescular®

Οι κασέτες συστήματος προστασίας οργάνου InstruSafe® χρησιμοποιούνται για την οργάνωση και την προστασία άλλων ιατρικών συσκευών που αποστειρώνονται από έναν πάροχο υγειονομικής περιθαλψής. Οι κασέτες του συστήματος προστασίας οργάνων InstruSafe προορίζονται για να επιτρέψουν την αποστείρωση των ιατρικών συσκευών που περικλείουν, σε έναν κύκλο δημιουργίας κενού προ αποστείρωσης με ατμό. Οι κασέτες των συστημάτων προστασίας οργάνων InstruSafe προορίζονται για χρήση σε συνδυασμό με νομίμως διαθέσιμο στο εμπόριο περιτύλιγμα ή με άκαμπτο περιέκτη Aescular. Οι κασέτες των συστημάτων προστασίας οργάνων InstruSafe δεν προορίζονται για να διατηρούν τη στεριότητα από μόνες τους.

Παράμετροι αποστείρωσης σε αυτόκαυστο	
Κύκλος	Δημιουργία κενού
Θερμοκρασία	270°F (132°C)
Χρόνος έκθεσης	4 λεπτά
Ελάχιστος χρόνος στεγνώματος	30 λεπτά
Μοντέλο κασέτας Summit	Μοντέλο περιέκτη Aescular
IN-8823-AE	*JN444
IN-2880	*JK444
IN-6105	*JN742
<i>*Με έγκριση από τη Summit Medical για χρήση σε αποστειρωτές δημιουργίας κενού προ αποστείρωσης με ατμό ΜΟΝΟ, με λειτουργία στους 270°F (132°C) για χρόνο έκθεσης 4 λεπτών. Συμβουλευθείτε τις οδηγίες του περιέκτη για να διασφαλίσετε ότι τα περιεχόμενα δεν υπερβαίνουν τις προδιαγραφές φορτίου του περιέκτη αποστείρωσης.</i>	

Προδιαγραφές αυλού για κύκλο 4 λεπτών δημιουργίας κενού προ αποστείρωσης με ατμό			
Μοντέλο κασέτας Summit	Ελάχιστη εσωτερική διάμετρος	Ελάχιστο μήκος	Αριθμός αυλών
IN-8823-CF	3 mm	400 mm	4
IN-8823-CF	3 mm	200 mm	2
IN-2880	1 mm	76 mm	2
IN-2880	3 mm	177 mm	1
IN-6105	5 mm	241 mm	1
IN-2681	1 mm	65 mm	1
IN-2681	3 mm	200 mm	1
IN-7823	1 mm	400 mm	17

4 Λεπτά με ατμό, Άκαμπτος περιέκτης Genesis™

Οι κασέτες συστήματος προστασίας οργάνου InstruSafe® χρησιμοποιούνται για την οργάνωση και την προστασία άλλων ιατρικών συσκευών που αποστειρώνονται από έναν πάροχο υγειονομικής περιθαλψής. Οι κασέτες του συστήματος προστασίας οργάνων InstruSafe προορίζονται για να επιτρέψουν την αποστείρωση των ιατρικών συσκευών που περικλείουν, σε έναν κύκλο δημιουργίας κενού προ αποστείρωσης με ατμό. Οι κασέτες συστήματος προστασίας οργάνου InstruSafe προορίζονται για χρήση σε συνδυασμό με έναν νομίμως διαθέσιμο στο εμπόριο άκαμπτο περιέκτη Genesis. Οι κασέτες των συστημάτων προστασίας οργάνων InstruSafe δεν προορίζονται για να διατηρούν τη στεριότητα από μόνες τους. Ένας πλήρης κατάλογος μοντέλων συσκευών παρέχεται στο Παράρτημα Α.

Προδιαγραφές αυλού για κύκλο 4 λεπτών δημιουργίας κενού προ αποστείρωσης με ατμό			
Μοντέλο κασέτας Summit	Ελάχιστη εσωτερική διάμετρος	Ελάχιστο μήκος	Αριθμός αυλών
IN-2681	1 mm	65 mm	1
IN-2681	3 mm	200 mm	1
IN-6105	5 mm	241 mm	1
IN-0000	1 mm	400 mm	5
	3 mm	400 mm	1
	5 mm	400 mm	1

ΕΝΔΕΙΞΕΙΣ ΧΡΗΣΗΣ (συνέχεια)

8 Λεπτά με ατμό & Αιθυλενοξειδίο (EO), Περιτύλιγμα & Άκαμπος περιέκτης Genesis™

Οι κασέτες συστήματος προστασίας οργάνων InstruSafe® χρησιμοποιούνται για την οργάνωση και την προστασία άλλων ιατρικών συσκευών που αποστειρώνονται από έναν πάροχο υγειονομικής περιθαλψής. Οι κασέτες του συστήματος InstruSafe προορίζονται για να επιτρέπουν την αποστείρωση των περικλειστων ιατρικών συσκευών σε κύκλο δημιουργίας κενού προ αποστείρωσης με ατμό ή σε κύκλο αιθυλενοξειδίου. Οι κασέτες του συστήματος InstruSafe προορίζονται για χρήση σε συνδυασμό με ένα νομίμως διαθέσιμο στο εμπόριο κεντρικό περιτύλιγμα ή με άκαμπτο περιέκτη Genesis. Οι κασέτες του συστήματος InstruSafe δεν προορίζονται για να διατηρούν τη στεριότητα από μόνες τους.

Μέθοδοι αποστείρωσης και διαμορφώσεις

Προπαρασκευή 8 λεπτών με ατμό στους 132°C	
Υφαντό περιτύλιγμα 140 νημ./iv.	10 λεπτά χρόνος στεγνώματος
Μη υφαντό περιτύλιγμα (Kimberly Clark)	50 λεπτά χρόνος στεγνώματος
Περιέκτης Genesis (ανατρέξτε στον Πίνακα 1 για χαρτί φίλτρου προς χρήση)	30 λεπτά χρόνος στεγνώματος

Αιθυλενοξειδίο (EO)
<ul style="list-style-type: none">1 ώρα προπαρασκευή στους 131°F (55°C) με σχετική υγρασία 70 ± 15%2 ώρες έκθεση στους 131°F (55°C)12 ώρες αερισμός

Περιέκτης Genesis	Χαρτί φίλτρου περιέκτη Genesis
CD2-4B	FX3-1: 9x9"
CD2-5B	FX3-1: 9x9"
CD3-4B	FX3-1: 9x9"
CD3-5B	FX3-1: 9x9"
CD3-6B	FX3-1: 9x9"
CD3-7B	FX3-1: 9x9"
CD4-5B	FO3-2: 9x6"
CD5-61B	FO3-2: 9x6"
CD6-6B	FX3-1: 9x9"

Για τη χρήση οποιουδήποτε άκαμπτου περιέκτη της Genesis, ανατρέξτε στις Οδηγίες λειτουργίας για τον χρήστη του συστήματος περιέκτη αποστείρωσης Genesis του V. Mueller.

Κύκλοι STERRAD® 100S και STERRAD® 100NX® Standard, περιτύλιγμα και άκαμπος περιέκτης Aesculap®

Οι κασέτες συστήματος προστασίας οργάνου InstruSafe® χρησιμοποιούνται για την οργάνωση και την προστασία άλλων ιατρικών συσκευών που αποστειρώνονται από έναν πάροχο υγειονομικής περιθαλψής. Οι κασέτες συστήματος προστασίας οργάνου InstruSafe προορίζονται για να επιτρέπουν την αποστείρωση των περικλειστων ιατρικών συσκευών σε κύκλους αποστείρωσης Sterrad 100S Standard και Sterrad 100NX Standard. Οι κασέτες των συστημάτων προστασίας οργάνων InstruSafe προορίζονται για χρήση σε συνδυασμό με νομίμως διαθέσιμο στο εμπόριο περιτύλιγμα ή με άκαμπτο περιέκτη Aesculap. Οι κασέτες των συστημάτων προστασίας οργάνων InstruSafe δεν προορίζονται για να διατηρούν τη στεριότητα από μόνες τους. Ένας πλήρης κατάλογος μοντέλων συσκευών παρέχεται στο Παράρτημα Α.

Οι ακόλουθοι δίσκοι αποστείρωσης έχουν εγκριθεί για χρήση με τους αντίστοιχους άκαμπτους περιέκτες:

Κύκλος STERRAD 100S Standard	
Μοντέλο κασέτας Summit	Μοντέλο περιέκτη Aesculap
IN-8823-AE	*JM444
IN-6105	*JM440

Κύκλος STERRAD 100NX Standard	
Μοντέλο κασέτας Summit	Μοντέλο περιέκτη Aesculap
IN-8823-AE	*JM444
IN-6105	*JM440

*Εγκριμένο από τη Summit Medical για χρήση MONO στον κύκλο STERRAD 100S Standard και τον κύκλο STERRAD 100NX Standard. Συμβουλευθείτε τις οδηγίες του περιέκτη για να διασφαλίσετε ότι τα περιεχόμενα δεν υπερβαίνουν τις προδιαγραφές φορτίου του περιέκτη αποστείρωσης.

Προδιαγραφές αυλών για κύκλους STERRAD 100S Standard και STERRAD 100NX Standard	
4 αυλός από ανοξείδωτο χάλυβα με εσωτερική διάμετρο 3 mm και μήκος 400mm	Όλα τα μοντέλα με το κατάλληλο μέγεθος παρατίθενται στο Παράρτημα Α, με εξαίρεση το IN-2681.
2 αυλός από ανοξείδωτο χάλυβα με εσωτερική διάμετρο 3 mm και μήκος 200 mm	
1 αυλός από ανοξείδωτο χάλυβα με εσωτερική διάμετρο 3 mm και μήκος 200 mm	IN-2681
1 αυλός από ανοξείδωτο χάλυβα με εσωτερική διάμετρο 1 mm και μήκος 65 mm	

ΕΝΔΕΙΞΕΙΣ ΧΡΗΣΗΣ (συνέχεια)

Κύκλος STERRAD® NX® Standard, περιτύλιγμα και άκαμπτος περιέκτης Aesculap®

Οι κασέτες συστήματος προστασίας οργάνου InstruSafe® χρησιμοποιούνται για την οργάνωση και την προστασία άλλων ιατρικών συσκευών που αποστειρώνονται από έναν πάροχο υγειονομικής περίθαλψης. Οι κασέτες συστήματος προστασίας οργάνου InstruSafe προορίζονται για να επιτρέψουν την αποστείρωση των περικλειστων ιατρικών συσκευών σε έναν κύκλο αποστείρωσης Sterrad NX Standard. Οι κασέτες των συστημάτων προστασίας οργάνων InstruSafe προορίζονται για χρήση σε συνδυασμό με νομίμως διαθέσιμο στο εμπόριο περιτύλιγμα ή με άκαμπτο περιέκτη Aesculap. Οι κασέτες των συστημάτων προστασίας οργάνων InstruSafe δεν προορίζονται για να διατηρούν τη στεριότητα από μόνες τους. Ένας πλήρης κατάλογος μοντέλων συσκευών παρέχεται στο Παράρτημα Α.

Μέθοδοι αποστείρωσης και διαμορφώσεις
- Κύκλος αποστείρωσης Sterrad NX Standard

Προδιαγραφές αυλών για κύκλο αποστείρωσης STERRAD NX Standard			
Μοντέλο κασέτας Summit	Ελάχιστη εσωτερική διάμετρος	Ελάχιστο μήκος	Αριθμός αυλών
IN-2681	1 mm	65 mm	1
IN-2681	3 mm	200 mm	1
IN-8987-S	1 mm	500 mm	5
IN-8615	2,3 mm	210 mm	5
IN-6105	4 mm	235 mm	1

Σημείωση: Το χειρότερο εγκεκριμένο φορτίο βάσει του υπολογισμού εξαερισμός-προς-όγκος είναι ο δίσκος IN-2681.

Κύκλος STERRAD® 100NX® Express, περιτύλιγμα

Οι κασέτες συστήματος προστασίας οργάνου InstruSafe® χρησιμοποιούνται για την οργάνωση και την προστασία άλλων ιατρικών συσκευών που αποστειρώνονται από έναν πάροχο υγειονομικής περίθαλψης. Οι κασέτες συστήματος προστασίας οργάνων InstruSafe προορίζονται για να επιτρέψουν την αποστείρωση των περικλειστων ιατρικών συσκευών σε έναν κύκλο αποστείρωσης Sterrad® 100NX Express. Οι κασέτες συστήματος προστασίας οργάνων InstruSafe προορίζονται για χρήση σε συνδυασμό με ένα νομίμως διαθέσιμο στο εμπόριο περιτύλιγμα. Οι κασέτες των συστημάτων προστασίας οργάνων InstruSafe δεν προορίζονται για να διατηρούν τη στεριότητα από μόνες τους. Το σύστημα προστασίας οργάνων InstruSafe δεν έχει απαιτούμενες προδιαγραφές αυλών για τον κύκλο Sterrad 100NX Express.

Κύκλος αποστείρωσης STERRAD® 100NX® Flex, περιτύλιγμα και άκαμπτος περιέκτης Aesculap®

Οι κασέτες συστήματος προστασίας οργάνου InstruSafe® χρησιμοποιούνται για την οργάνωση και την προστασία άλλων ιατρικών συσκευών που αποστειρώνονται από έναν πάροχο υγειονομικής περίθαλψης. Οι κασέτες συστήματος προστασίας οργάνων InstruSafe προορίζονται για να επιτρέψουν την αποστείρωση των περικλειστων ιατρικών συσκευών σε έναν κύκλο αποστείρωσης Sterrad 100NX Flex. Οι κασέτες των συστημάτων προστασίας οργάνων InstruSafe προορίζονται για χρήση σε συνδυασμό με νομίμως διαθέσιμο στο εμπόριο περιτύλιγμα ή με άκαμπτο περιέκτη Aesculap. Οι κασέτες των συστημάτων προστασίας οργάνων InstruSafe δεν προορίζονται για να διατηρούν τη στεριότητα από μόνες τους. Ένας πλήρης κατάλογος μοντέλων συσκευών παρέχεται στο Παράρτημα Α.

Κύκλος αποστείρωσης STERRAD 100NX Flex	
Μοντέλο κασέτας Summit	Μοντέλο περιέκτη Aesculap
IN-0000	*JM440
IN-6105	*JM440

**Εγκεκριμένο από τη Summit Medical για χρήση MONO στον κύκλο αποστείρωσης STERRAD 100NX Flex. Συμβουλευθείτε τις οδηγίες του περιέκτη για να διασφαλίσετε ότι τα περιεχόμενα δεν υπερβαίνουν τις προδιαγραφές φορτίου του περιέκτη αποστείρωσης.*

Προδιαγραφές αυλών για κύκλο αποστείρωσης STERRAD 100NX Flex				
Μοντέλο κασέτας Summit	Ελάχιστη εσωτερική διάμετρος	Ελάχιστο μήκος	Αριθμός αυλών	Περιτύλιγμα/ Άκαμπτος περιέκτης
IN-0000	1 mm	850 mm	1	Περιτύλιγμα + Άκαμπτος περιέκτης
IN-8823	1 mm	850 mm	1	Περιτύλιγμα + Άκαμπτος περιέκτης
IN-7344	1 mm	850 mm	1	Περιτύλιγμα
IN-6105	4 mm	235 mm	1	Περιτύλιγμα + Άκαμπτος περιέκτης

Το χειρότερο εγκεκριμένο φορτίο με βάση τον υπολογισμό εξαερισμού προς όγκο είναι ο δίσκος IN-0000.

Σημείωση: Ο δίσκος IN-0000 προορίζεται μόνο για σκοπούς δοκιμής.

ΕΝΔΕΙΞΕΙΣ ΧΡΗΣΗΣ (συνέχεια)

Κύκλοι αποστείρωσης χαμηλής θερμοκρασίας AMSCO® V-PRO®, περιτύλιγμα & άκαμπτος περιέκτης Aescular®

Οι κασέτες συστημάτων προστασίας οργάνων InstruSafe® χρησιμοποιούνται για την οργάνωση και την προστασία άλλων ιατρικών συσκευών που αποστειρώνονται από πάροχο υγειονομικής περίθαλψης. Οι κασέτες συστημάτων προστασίας οργάνων InstruSafe προορίζονται για να επιτρέπουν την αποστείρωση των ιατρικών συσκευών που περιέχουν κατά τη διάρκεια των κύκλων αποστείρωσης χαμηλής θερμοκρασίας AmSCO V-PRO. Οι κασέτες των συστημάτων προστασίας οργάνων InstruSafe προορίζονται για χρήση σε συνδυασμό με νομίμως διαθέσιμο στο εμπόριο περιτύλιγμα ή με άκαμπτο περιέκτη Aescular. Οι κασέτες των συστημάτων προστασίας οργάνων InstruSafe δεν προορίζονται για να διατηρούν τη στειρότητα από μόνες τους. Ένας πλήρης κατάλογος μοντέλων συσκευών παρέχεται στο Παράρτημα Α.

Συστήματα αποστείρωσης χαμηλής θερμοκρασίας AMSCO V-PRO			
Αποστειρωτής	Κύκλος Standard	Κύκλος αυλού	Κύκλος μη αυλού
V-PRO 1	X	Δ/Ε	Δ/Ε
V-PRO 1 PLUS	Δ/Ε	X	X
V-PRO maX	Δ/Ε	X	X
V-PRO maX 2	Δ/Ε	X	X
Μοντέλο κασέτας Summit		Μοντέλο περιέκτη Aescular	
IN-8823		*JM444	
IN-6105		*JM742	
<i>*Εγκεκριμένο από τη Summit Medical για χρήση ΜΟΝΟ στα συστήματα αποστείρωσης χαμηλής θερμοκρασίας AMSCO V-PRO. Όταν χρησιμοποιείται περιέκτης Aescular ως στείρος φραγμός, το φορτίο (δίσκος Summit και περιεχόμενα) δεν πρέπει να υπερβαίνει τις προδιαγραφές φορτίου για το βάρος ή τον τύπο φορτίου του περιέκτη.</i>			

Στο μέγεθος αυλού των εγκεκριμένων οργάνων συμπεριλαμβάνονται τα εξής:			
Μοντέλο κασέτας Summit	Ελάχιστη εσωτερική διάμετρος	Ελάχιστο μήκος	Αριθμός αυλών
IN-8823	3 mm	400 mm	2
IN-6105	3 mm	200 mm	1
IN-2681	1 mm	64 mm	1
Σημείωση: Το χειρότερο επικυρωμένο φορτίο με βάση τον υπολογισμό εξαιρισμού προς όγκο είναι ο δίσκος IN-2681.			

ΕΝΔΕΙΞΕΙΣ ΧΡΗΣΗΣ (συνέχεια)

VP4 Sterizone, περιτύλιγμα & άκαμπτος περιέκτης Aescular®

Οι κασέτες (δίσκοι) του συστήματος προστασίας οργάνων InstruSafe® χρησιμοποιούνται για την οργάνωση και την προστασία άλλων ιατρικών συσκευών που αποστειρώνονται από έναν πάροχο υγειονομικής περιθαλψής. Οι κασέτες συστήματος προστασίας οργάνων InstruSafe προορίζονται για να επιτρέψουν την αποστείρωση των περικλειστων ιατρικών συσκευών στον κύκλο 1 αποστείρωσης χαμηλής θερμοκρασίας STERIZONE VP4. Οι κασέτες των συστημάτων προστασίας οργάνων InstruSafe προορίζονται για χρήση σε συνδυασμό με νομίμως διαθέσιμο στο εμπόριο περιτύλιγμα ή με άκαμπτο περιέκτη Aescular. Οι κασέτες των συστημάτων προστασίας οργάνων InstruSafe δεν προορίζονται για να διατηρούν τη στειρότητα από μόνες τους.

Η Summit Medical έχει εγκρίνει τη χρήση των κασετών των συστημάτων προστασίας οργάνων InstruSafe στον κύκλο 1 του αποστειρωτή STERIZONE VP4, καθώς έχει αποδειχθεί η αποτελεσματικότητα της αποστείρωσης με τη χρήση αντιπροσωπευτικών δειγμάτων από ιατρικές συσκευές, όπως όργανα γενικής χρήσης, άκαμπτα και ημί-άκαμπτα όργανα με αυλό, και εύκαμπτα ενδοσκοπία. Η έγκριση παρέχει πληροφορίες που είχαν χρησιμοποιηθεί για να προσδιοριστούν τα όρια σχεδιασμού, τα οποία για όλη την γκάμα των κασετών των συστημάτων προστασίας οργάνων InstruSafe, ώστε να διασφαλιστεί ότι όλα τα μοντέλα εμπίπτουν στα εγκεκριμένα όρια για τον αερισμό, την τοποθέτηση στα εσωτερικά ράφια και το βάρος των κασετών:

- Ελάχιστη αναλογία αερισμού-όγκου, όργανα γενικής χρήσης: 0,073
- Ελάχιστη αναλογία αερισμού-όγκου, εύκαμπτα ενδοσκοπία: 0,263
- Μέγιστος αριθμός εσωτερικών ραφιών: Δύο (2)
- Μέγιστος βάρος κασέτας (μαζί με τα περιεχόμενα της): 25 λίβρες/κασέτα

Ανατρέξτε στον παρακάτω πίνακα για τα εγκεκριμένα φορτία για τις κασέτες των συστημάτων προστασίας οργάνων InstruSafe. Ανατρέξτε στις οδηγίες χρήσης του κατασκευαστή του αποστειρωτή για να διασφαλίσετε ότι τα φορτία δεν υπερβαίνουν τα ενδεδειγμένα όρια του αποστειρωτή.

Περιγραφή των φορτίων για τα συστήματα προστασίας οργάνων InstruSafe.

Αντιπροσωπευτικός κωδικός εγκεκριμένου φορτίου για τον αποστειρωτή STERIZONE® VP4. (K190260)	Περιγραφή εγκεκριμένου φορτίου Summit Medical	Συνολικό βάρος φορτίου (εξαιρείται η σχάρα φόρτωσης 25 λίβρες)
4	<p>Φορτίο 4a: Αποτελείται από το όριο φορτίου για άκαμπτα και ημί-άκαμπτα όργανα με κανάλια:</p> <ul style="list-style-type: none"> • Τρία (3) ημί-άκαμπτα ενδοσκοπία διπλού καναλιού (ουρητηροσκόπηση – 0,7 mm × 500 mm και 1,1 mm × 500 mm) συσκευάστηκαν, ένα (1) ανά κασέτα, σε τρεις (3) κασέτες IN 7323-R. • Προστέθηκαν κι άλλα άκαμπτα όργανα με κανάλια, ώστε να επιτευχθεί ένα σύνολο 15 καναλιών. <p>Κάθε κασέτα περιελάμβανε κατάλληλες διατάξεις συγκράτησης των οργάνων από σιλικόνη και ήταν τυλιγμένη.</p> <p>Φορτίο 4b: Αποτελείται από το όριο φορτίου για άκαμπτα και ημί-άκαμπτα όργανα με κανάλια:</p> <ul style="list-style-type: none"> • Τρία (3) ημί-άκαμπτα ενδοσκοπία διπλού καναλιού (ουρητηροσκόπηση – 0,7 mm × 400 mm και 1,1 mm × 400 mm) συσκευάστηκαν, ένα (1) ανά κασέτα, σε τρεις (3) κασέτες IN-0007-TF. • Προστέθηκαν κι άλλα άκαμπτα όργανα με κανάλια, ώστε να επιτευχθεί ένα σύνολο 15 καναλιών. <p>Κάθε κασέτα περιελάμβανε κατάλληλες διατάξεις συγκράτησης των οργάνων από σιλικόνη και ήταν τοποθετημένη σε άκαμπτο περιέκτη Aescular JM440.</p>	<p>Φορτίο 4a = 5 λίβρες/κασέτα Σύνολο 15 λίβρες</p> <p>Φορτίο 4b = 11 λίβρες/κασέτα Σύνολο 33 λίβρες</p>
7	<p>Εγκεκριμένο φορτίο 7a Summit Medical: Αποτελείται από το όριο βάρους φορτίου για ιατρικά όργανα γενικής χρήσης, τα οποία αντιστοιχούν στις ακόλουθες γεωμετρικές μορφές:</p> <ul style="list-style-type: none"> • Μάνταλο κλεισίματος κουτιού • Περιστρεφόμενο μάνταλο • Βιδωτό έμβολο (Luer-lock) <p>Τα ιατρικά όργανα γενικής χρήσης απλώθηκαν σε τρεις (3) κασέτες IN-7323-R με κατάλληλες διατάξεις συγκράτησης από σιλικόνη, με τη κάθε κασέτα να ζυγίζει 25 λίβρες. Οι κασέτες περιτυλίχθηκαν.</p> <p>Εγκεκριμένο φορτίο 7b Summit Medical: Αποτελείται από το όριο βάρους για το φορτίο για ιατρικά όργανα γενικής χρήσης, τα οποία αντιστοιχούν στις ακόλουθες γεωμετρικές μορφές:</p> <ul style="list-style-type: none"> • Μάνταλο κλεισίματος κουτιού • Περιστρεφόμενο μάνταλο • Βιδωτό έμβολο (Luer-lock) <p>Τα ιατρικά όργανα γενικής χρήσης απλώθηκαν σε τρεις (3) κασέτες IN-0006-TF με κατάλληλες διατάξεις συγκράτησης από σιλικόνη. Οι κασέτες τοποθετήθηκαν σε περιέκτες Aescular JM440, με τον κάθε έναν να ζυγίζει 25 λίβρες.</p>	<p>Φορτίο 7a = 25 λίβρες/κασέτα Σύνολο 75 λίβρες</p> <p>Φορτίο 7b = 25 λίβρες/κασέτα Σύνολο 75 λίβρες</p>
8	<p>Εγκεκριμένο φορτίο 8a Summit Medical: Αποτελείται από το όριο βάρους για συνολικά (5) κανάλια εύκαμπτου ενδοσκοπίου σε τυλιγμένες κασέτες:</p> <ul style="list-style-type: none"> • Δύο (2) εύκαμπτα ενδοσκοπία διπλού καναλιού (ουρητηροσκόπηση – 1 mm X 850 mm και 1 mm X 989 mm) συσκευάστηκαν, ένα (1) ανά κασέτα, σε κασέτες IN-0003-R. • Ένα (1) εύκαμπτο ενδοσκοπία μονού καναλιού (ουρητηροσκόπηση – 1 mm x 850 mm) συσκευάστηκε σε μία κασέτα IN-0004-R. <p>Οι κασέτες περιελάμβαναν κατάλληλες διατάξεις συγκράτησης από σιλικόνη και ήταν τυλιγμένες.</p> <p>Εγκεκριμένο φορτίο 8b Summit Medical: Αποτελείται από το όριο βάρους για συνολικά (4) κανάλια εύκαμπτου ενδοσκοπίου σε κασέτες συσκευασμένες σε περιέκτες:</p> <ul style="list-style-type: none"> • Δύο (2) εύκαμπτα ενδοσκοπία διπλού καναλιού (ουρητηροσκόπηση – 1 mm X 850 mm και 1 mm X 989 mm) συσκευάστηκαν, ένα (1) ανά κασέτα, σε κασέτες IN-0003-TF με κατάλληλες διατάξεις συγκράτησης από σιλικόνη. <p>Κάθε κασέτα τοποθετήθηκε μέσα σε περιέκτη Aescular JM442.</p>	<p>Φορτίο 8a = 4,3 λίβρες/κασέτα Σύνολο 13 λίβρες</p> <p>Φορτίο 8b = 8,3 λίβρες/κασέτα Σύνολο 25 λίβρες</p>

ΑΠΟΘΗΚΕΥΣΗ

Οι αποστειρωμένες στην τελική συσκευασία κασέτες που είναι περιτυλιγμένες ή κλεισμένες σε περιέκτη αποθηκεύονται σε ράφι αποθήκευσης σε οριζόντια θέση. Για τη διάρκεια ζωής, συμβουλευθείτε τον κατασκευαστή του περιτυλίγματος ή του περιέκτη.

ΑΠΟΡΡΙΨΗ

Σε περίπτωση που τα συστήματα προστασίας οργάνων InstruSafe® δεν περάσουν τον έλεγχο πριν από τη χρήση ή κριθεί ότι δεν είναι πλέον κατάλληλα για την εκπλήρωση του σκοπού τους, οι συσκευές απορρίπτονται σύμφωνα με το τοπικό πρωτόκολλο. Η μέθοδος απόρριψης εξαρτάται από τους ενδεχόμενους κινδύνους επιμόλυνσης και μόλυνσης μόλις διαπιστωθεί η ανάγκη απόρριψης.

ΑΝΑΦΟΡΑ ΣΟΒΑΡΩΝ ΣΥΜΒΑΝΤΩΝ

Κάθε σοβαρό συμβάν που σχετίζεται με τη συσκευή θα πρέπει να αναφέρεται στον κατασκευαστή και στον FDA/στην αρμόδια αρχή του κράτους μέλους όπου είναι εγκατεστημένος ο χρήστης και/ή ο ασθενής.

ΕΓΓΥΗΣΗ

ΠΕΡΙΟΡΙΣΜΕΝΗ ΕΓΓΥΗΣΗ ΓΙΑ ΤΟ ΣΥΣΤΗΜΑ ΠΡΟΣΤΑΣΙΑΣ ΟΡΓΑΝΩΝ INSTRUSAFE ΤΗΣ SUMMIT MEDICAL.

Η ΠΕΡΙΟΡΙΣΜΕΝΗ ΑΥΤΗ ΕΓΓΥΗΣΗ ΚΑΙ Η ΑΠΟΚΑΤΑΣΤΑΣΗ ΠΟΥ ΠΡΟΒΛΕΠΕΤΑΙ ΜΕ ΤΟ ΠΑΡΟΝ ΕΙΝΑΙ ΑΠΟΚΛΕΙΣΤΙΚΕΣ ΚΑΙ ΑΝΤΙΚΑΘΙΣΤΟΥΝ ΚΑΘΕ ΑΛΛΗ ΡΗΤΗ ΕΓΓΥΗΣΗ, ΚΑΙ, ΕΚΤΟΣ ΑΝ ΔΗΛΩΝΕΤΑΙ ΣΧΕΤΙΚΑ ΣΤΟ ΠΑΡΟΝ, ΟΛΕΣ ΟΙ ΤΥΧΟΝ ΔΗΛΩΣΕΙΣ Ή ΕΚΠΡΟΣΩΠΗΣΕΙΣ ΑΠΟ ΑΛΛΟ ΑΤΟΜΟ Η ΕΤΑΙΡΕΙΑ ΕΙΝΑΙ ΑΚΥΡΕΣ. Η ΔΙΑΡΚΕΙΑ ΚΑΘΕ ΥΠΟΔΗΛΟΥΜΕΝΗΣ ΕΓΓΥΗΣΗΣ ΕΜΠΟΡΕΥΣΙΜΟΤΗΤΑΣ Ή ΚΑΤΑΛΛΗΛΟΤΗΤΑΣ ΓΙΑ ΣΥΓΚΕΚΡΙΜΕΝΟ ΣΚΟΠΟ ΠΕΡΙΟΡΙΖΕΤΑΙ ΣΤΗ ΔΙΑΡΚΕΙΑ ΤΗΣ ΡΗΤΗΣ ΠΕΡΙΟΡΙΣΜΕΝΗΣ ΕΓΓΥΗΣΗΣ. Η SUMMIT MEDICAL ΚΑΙ ΟΙ ΣΥΝΔΕΔΕΜΕΝΕΣ ΜΕ ΑΥΤΗΝ ΕΤΑΙΡΕΙΕΣ ΔΕΝ ΦΕΡΟΥΝ ΕΥΘΥΝΗ ΓΙΑ ΟΠΟΙΑΔΗΠΟΤΕ ΠΑΡΕΠΟΜΕΝΗ Ή ΕΙΔΙΚΗ ΑΠΩΛΕΙΑ Ή ΖΗΜΙΑ ΠΟΥ ΠΡΟΚΥΠΤΕΙ ΑΠΟ ΤΗ ΧΡΗΣΗ Ή ΤΗΝ ΑΔΥΝΑΜΙΑ ΧΡΗΣΗΣ ΤΟΥ ΣΥΣΤΗΜΑΤΟΣ INSTRUSAFE, ΕΙΤΕ ΑΥΤΗ ΠΡΟΚΥΠΤΕΙ ΑΠΟ ΠΑΡΑΒΙΑΣΗ ΤΗΣ ΕΓΓΥΗΣΗΣ ΕΙΤΕ ΑΠΟ ΟΠΟΙΑΔΗΠΟΤΕ ΑΛΛΗ ΝΟΜΙΚΗ ΘΕΩΡΙΑ.

Η περιορισμένη αυτή εγγύηση σας παρέχει ειδικά νομικά δικαιώματα, ενώ ενδέχεται να έχετε και άλλα δικαιώματα, τα οποία διαφέρουν από κράτος σε κράτος. Ορισμένα κράτη δεν επιτρέπουν τους περιορισμούς στη διάρκεια ισχύος μιας υποδηλούμενης εγγύησης ή δεν επιτρέπουν την εξαίρεση ή τον περιορισμό στην κάλυψη των παρεπομένων ή επακόλουθων ζημιών, συνεπώς, ο ως άνω περιορισμός ενδέχεται να μην ισχύει για εσάς.

Τι καλύπτεται. Η Summit Medical εγγυάται στον αρχικό αγοραστή ότι το σύστημα InstruSafe που συνοδεύεται από αυτήν την εγγύηση είναι σύμφωνο με τις προδιαγραφές του κατασκευαστή και απαλλαγμένο από ελαττώματα εργασίας και υλικών για διάστημα 12 μηνών από την ημερομηνία αρχικής αγοράς. Σε περίπτωση που ο αρχικός αγοραστής μεταβιβάσει το σύστημα InstruSafe σε τρίτον, η περιορισμένη αυτή εγγύηση δεν θεμελιώνει αξίωση για τον τρίτο στον οποίον έχει μεταβιβαστεί το προϊόν.

Τι θα κάνουμε για την αντιμετώπιση προβλημάτων. Σε περίπτωση που το σύστημα InstruSafe σας αποδειχθεί ελαττωματικό κατά τη διάρκεια αυτής της περιόδου, θα πρέπει να ειδοποιήσετε τη Summit Medical ή έναν εξουσιοδοτημένο διανομέα ή εμπορικό συνεργάτη της Summit Medical. Θα πρέπει να επιτρέψετε στη Summit Medical ή τους εκπροσώπους της να προβούν σε κάθε διερεύνηση, εξέταση και δοκιμή που η Summit Medical θεωρεί απαραίτητη, και, αν σας ζητηθεί, να επιστρέψετε το προϊόν στο εργοστάσιο στην κατωτέρω αναγραφόμενη διεύθυνση. Η μόνη υποχρέωση της Summit Medical στο πλαίσιο της παρούσας περιορισμένης εγγύησης είναι, κατ' επιλογή της, να επισκευάσει ή να αντικαταστήσει το προϊόν ή τα προϊόντα που παρουσιάζουν ελάττωμα, χωρίς χρέωση για ανταλλακτικά ή εργατικά. Τα ταχυδρομικά τέλη, τα ασφάλιστρα ή τα μεταφορικά τα οποία σας χρεώνονται για την παρουσίαση του προϊόντος InstruSafe System για υπηρεσίες εγγύησης, βαρύνουν εσάς.

Τι δεν καλύπτεται. Η παρούσα εγγύηση έχει ως προϋπόθεση την ορθή χρήση και συντήρηση του προϊόντος, και δεν καλύπτει προϊόντα που έχουν αποσταλεί με ακατάλληλο τρόπο ή έχουν υποστεί εσφαλμένη ή κακή χρήση ή παραμέληση, έχουν συντηρηθεί, καθαριστεί ή αποθηκευτεί με ακατάλληλο τρόπο, έχουν δεχθεί εργασίες σέρβις από άλλους εκτός από τη Summit Medical ή εξουσιοδοτημένο διανομέα ή εμπορικό συνεργάτη της Summit Medical, ή έχουν τροποποιηθεί χωρίς τη ρητή έγκριση της Summit Medical. Η μη τήρηση των οδηγιών του εγχειριδίου κατόχου ενδέχεται να συνιστά ακατάλληλη χρήση ή συντήρηση του προϊόντος, και, στην περίπτωση αυτή, η παρούσα περιορισμένη εγγύηση δεν ισχύει. Η παρούσα εγγύηση δεν καλύπτει τη φυσιολογική φθορά ή τα εξαρτήματα αντικατάστασης.

Αν έχετε ερωτήσεις ή αξιώσεις σχετικά με αυτήν την εγγύηση, επικοινωνήστε ως εξής:

Τμήμα Εξυπηρέτησης Πελατών
Summit Medical
815 Vikings Parkway, Suite 100
St. Paul, MN 55121 | USA
www.instrusafe.com

ΤΗΛ.: 651-789-3939 | 888-229-2875
FAX: 651-789-3979 | 888-229-1941
E-mail: customerservice@innoviamedical.com

Dostarczone instrukcje zostały zatwierdzone przez producenta wyrobu jako pozwalające na dekontaminację wyrobów medycznych wielokrotnego użytku.

Poszczególne sterylizatory, czystość narzędzi, specyficzne ładowanie tac na narzędzia, rodzaje i geometria narzędzi, pojemniki do sterylizacji, filtry i opakowania mogą się różnić.

NALEŻY PRZECZYTAĆ TEN PUNKT PRZED ODDANIEM WYROBU DO UŻYTKU

PRZEZNACZENIE / PODSUMOWANIE WSKAZAŃ DO STOSOWANIA

Kasety/tace wchodzące w skład systemów ochrony narzędzi InstruSafe® są przeznaczone do przechowywania i ochrony wyrobów medycznych wielokrotnego użytku podczas transportu, sterylizacji i przechowywania. Kasety/tace wchodzące w skład systemu ochrony narzędzi InstruSafe® służą do organizowania i ochrony innych urządzeń medycznych, które są sterylizowane przez placówkę systemu opieki zdrowotnej. Kasety/tace wchodzące w skład systemu ochrony narzędzi InstruSafe umożliwiają sterylizację zamkniętych wewnątrz nich wyrobów medycznych podczas następujących cykli sterylizacji:

- Sterylizacja parą wodną (ISO 17665-1 i EN 285)
- Tlenek etylenu (ISO 11135)
- Zatwierdzona sterylizacja niskotemperaturowa (ISO 14937) tj.
 - STERRAD® 100S Standard (krótki)
 - STERRAD® 100NX® Express, Standard i Flex
 - STERIS® AMSCO® V-PRO 1®, V-PRO 1 Plus, V-PRO maX i V-PRO maX 2
 - Sterizone® VP4
 - STERRAD® NX® Standard

Kasety/tace wchodzące w skład systemu ochrony narzędzi InstruSafe nie są same w sobie przeznaczone do utrzymywania sterylności. Kasety/tace wchodzące w skład systemu ochrony narzędzi InstruSafe są przeznaczone do stosowania w połączeniu z legalnie sprzedawanym opakowaniem, sztywnymi pojemnikami Aesculap® lub sztywnymi pojemnikami Genesis™.

Pojemniki sterylizacyjne InstruSafe zostały zatwierdzone do stosowania z kasetami/tacami systemu ochrony narzędzi InstruSafe (próżnia wstępna, 132°C (270°F), wyłącznie 4-minutowy cykl sterylizacji parą) zgodnie z 510(k) K180528. Więcej informacji zawiera instrukcja pojemnika sterylizacyjnego InstruSafe®.

Pełna lista modeli wyrobu dostępna jest w Załączniku A, z którym można zapoznać się na stronie www.instrusafe.com/ifus.

OPIS URZĄDZENIA

System ochrony narzędzi InstruSafe firmy Summit Medical to kasety/tace służące do zamykania i utrzymywania narzędzi chirurgicznych i akcesoriów w porządku podczas procesu sterylizacji, a następnie ich przechowywania i transportu. Kasety/tace nie mają bezpośredniego kontaktu z pacjentem. Kasety/tace same w sobie nie utrzymują sterylności. Kasety/tace są różnej wielkości, ale mają taką samą podstawową konfigurację: prostokątna podstawa z zamykaną pokrywą. Kasety/tace mają perforowaną strukturę, co umożliwia penetrację środka sterylizującego. W podstawie i/lub pokrywie kaset/tac znajdują się silikonowe wkładki, które utrzymują, organizują i chronią narzędzia chirurgiczne znajdujące się wewnątrz podczas procesu sterylizacji, a następnie podczas przechowywania i transportu.

UŻYTKOWNIK DOCELOWY

Systemy ochrony narzędzi InstruSafe® są przeznaczone do użytku przez pracowników ochrony zdrowia na sali operacyjnej i w dziale sterylizacji do transportu, sterylizacji i przechowywania wyrobów medycznych.

OGRANICZENIA DOTYCZĄCE STOSOWANIA

1. Okres użytkowania systemu ochrony narzędzi InstruSafe wynosi maksymalnie 25 cykli sterylizacji. Przed użyciem należy sprawdzić tacę pod kątem zużycia i uszkodzeń powstałych w wyniku użytkowania. Należy przerwać użytkowanie, jeśli występują widoczne oznaki zużycia, w tym korozja, uszkodzenia mechaniczne, pęknięcia, łuszczenie się, odklejanie, pęknięte spoiny, uszkodzone stopki, uszkodzone zatrzaski, uszkodzone części Hold-Its®/Hold-Downs®, przebarwienia itp.
2. Metody sterylizacji i konfiguracje – zob. **Tabela 2**.
3. **NIE NALEŻY PRZECIĄŻAĆ** systemów InstruSafe ani ich elementów.
4. **NIE NALEŻY PRZECIĄŻAĆ** poszczególnych części Hold-Its. Załadować tylko jedno narzędzie na jedną część Hold-Its.
5. W przypadku używania sztywnych pojemników **NIE OPAKOWYWAĆ** systemów InstruSafe ani ich elementów. Włożyć je do pojemnika w celu sterylizacji.
6. Wewnątrz sterylizatorów **NIE UKŁADAĆ NA SOBIE** systemów InstruSafe lub komponentów umieszczonych w osobnych opakowaniach lub pojemnikach. Oddzielić systemy InstruSafe lub ich elementy umieszczone w opakowaniach lub pojemnikach od siebie lub jakichkolwiek innych elementów i umieścić na oddzielnych półkach sterylizatora, aby umożliwić maksymalny przepływ środka sterylizującego.
7. Użycie niewiąkliwych wkładek do tacek (np. silikonowa mata organizująca z wypustkami) może spowodować gromadzenie się kondensatu. Jeżeli pojawi się widoczna wilgoć, należy przeprowadzić ponowną sterylizację z dłuższym czasem schnięcia.
8. Całkowita waga systemu pojemników (np. pojemnik, taca i ładunek narzędzi) nie może przekraczać 25 funtów (11,34 kg).
9. Narzędzia (np. endoskopy i narzędzia z kanałami) powinny zostać przygotowane i wysterylizowane zgodnie z instrukcjami producenta narzędzi.
10. Obowiązkiem podmiotu przetwarzającego jest zapewnienie stosowania swoistych walidacji procesu końcowej sterylizacji razem z konfiguracjami narzędzi i pojemników poddawanych sterylizacji.
11. W celu uzyskania informacji odnośnie do dodatkowych ograniczeń (np. wymiarowych lub wagowych) należy zapoznać się z instrukcją producenta sterylizatora.

OSTRZEŻENIA

- W przypadku aluminiowych systemów InstruSafe należy używać wyłącznie detergentów o neutralnym pH (6,0-8,5), aby uniknąć uszkodzenia wykończenia. Detergent o silnie kwaśnym lub zasadowym pH może trwale uszkodzić wykończenie kasety z anodowanego aluminium i elementów metalowych.
- Nie używać, jeśli opakowanie jest uszkodzone lub zostało przypadkowo otwarte przed użyciem.

Uwaga: Przed oddaniem do użytku kasetę należy wyczyścić i skontrolować zgodnie z dostarczonymi instrukcjami.

UNIWERSALNE ŚRODKI OSTROŻNOŚCI

- Personel powinien nosić kompletną odzież i sprzęt ochrony osobistej, zgodnie z procedurami operacyjnymi pracodawcy / oddziału dotyczącymi poziomu zanieczyszczenia, na jakie będzie narażony.
- Różne metale należy sterylizować osobno, aby zapobiec korozji.

PUNKT POBORU

Duże zanieczyszczenia należy usunąć za pomocą jednorazowej ściereczki lub ręcznika papierowego. Skażone elementy powinny się pozostawiać wilgotne do momentu, gdy możliwe będzie zastosowanie kwalifikowanych procesów czyszczących.

CZYSZCZENIE

Specjalne instrukcje dotyczące czyszczenia narzędzi w kasetach opisano w instrukcji użytkownika producenta.

Do czyszczenia kasety/tacy zaleca się używać jednej z następujących zatwierdzonych opcji czyszczenia.

Aby uniknąć uszkodzenia wykończenia kaset aluminiowych, należy stosować wyłącznie roztwory o neutralnym pH (6,0-8,5) bez węgla sodu.

NIE NALEŻY używać ostrych czyścików ani środków czyszczących o właściwościach ściernych. **NIE NALEŻY** przechowywać kasety w płynie.

1. Ręczne odkażanie wstępne:

- A. Potrzebne materiały: Detergent enzymatyczny o neutralnym pH (6,0-8,5), szczotka z miękkim włosiem i bieżąca woda.
- B. Usunąć wszystkie widoczne zabrudzenia i zanieczyszczenia za pomocą szczotki z miękkim włosiem. Aby lepiej usunąć zanieczyszczenia i ograniczyć rozpryskiwanie detergentu na personel, podczas czyszczenia całą kasetę należy zanurzyć na minimum 2 minuty.
- C. Dokładnie spłukiwać czystą wodą przez co najmniej 1 minutę, tak aby usunąć cały detergent. Patrz instrukcja płukania znajdująca się na etykiecie detergentu.

2. Myjka ultradźwiękowa:

- A. Przygotować kąpiel enzymatyczną w myjce ultradźwiękowej.
- B. Umieścić pojedynczą kasetę w detergencie i uruchomić na minimum dziesięć minut.
- C. Spłukiwać przez co najmniej 2 minuty zimną wodą z kranu.
- D. Skontrolować kasetę wzrokowo pod kątem zanieczyszczeń. W razie potrzeby powtórzyć cykl, aby usunąć widoczne zanieczyszczenia.

3. Myjka automatyczna:

Systemy ochrony narzędzi InstruSafe zostały zatwierdzone dla cyklu automatycznego mycia wymienionego w **Tabeli 1**. Podmiot przetwarzający ma obowiązek przeprowadzić kwalifikację określonych parametrów.

Tabela 1

CYKL	TEMPERATURA WODY	PROCES CZYSZCZENIA
Mycie wstępne 1 i 2	Zimna woda z kranu	Czas recyrkulacji: 2 minuty
Kąpiel enzymatyczna	Gorąca woda z kranu	Czas namaczania: 4 minuty
Mycie 1	Podgrzewane w temperaturze 65,5°C (150°F)	Czas recyrkulacji: 15 minut
Płukanie 1 i 2	Gorąca woda z kranu	Czas recyrkulacji: 5 minut

Uwaga: Po zakończeniu automatycznego cyklu mycia należy sprawdzić wzrokowo, czy w systemie InstruSafe (kasety i akcesoria) nie pozostały żadne widoczne zabrudzenia. Wszystkie widoczne zabrudzenia należy usunąć poprzez mycie ręczne, usunięcie za pomocą szczotki, mycie ultradźwiękowe lub dodatkowe cykle automatyczne przed wysłaniem do sterylizacji.

DEZYNFEKCJA

Systemy InstruSafe są przeznaczone do końcowej sterylizacji.

KONSERWACJA, KONTROLA I TESTOWANIE

Systemy InstruSafe mogą być ponownie wykorzystywane do momentu wystąpienia niedopuszczalnego pogorszenia jakości, takiego jak korozja, pęknięcia, rdza, łuszczenie się, odklejanie, odbarwienie lub uszkodzenia mechaniczne.

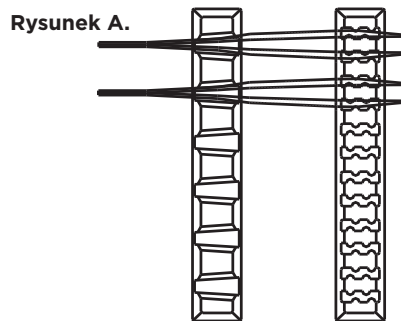
Oznaki uszkodzenia mechanicznego obejmują:

- Złamane lub pęknięte naroża lub spoiny
- Złamane lub nie działające zatrzaski
- Brakujące, rozerwane lub przecięte wkładki silikonowe
- Brakujące lub uszkodzone stopki

MONTAŻ

1. Umieścić narzędzia w przeznaczonych do tego uchwytach lub na obszarze wyznaczonym przez słupki ustalające tak, aby wszystkie powierzchnie narzędzi były wystawione na działanie środka sterylizującego. Zob. **Rysunek A**. Należy upewnić się, że w jednym otworze znajduje się tylko jedno narzędzie. Jeśli to możliwe, rozmontować lub otworzyć wszystkie części narzędzi zgodnie z instrukcjami producenta.

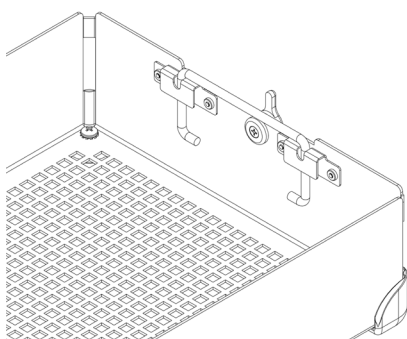
NIE NALEŻY przeciążać uchwytów ani przekraczać limitów wagi kaset. Zob. Załącznik A.



Uwaga: Narzędzia (np. endoskopy i narzędzia z kanałami) powinny zostać przygotowane i wysterylizowane zgodnie z instrukcją obsługi dostarczoną przez producenta.

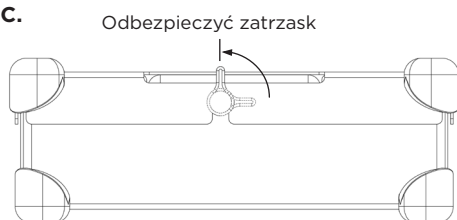
2. Upewnić się, że uchwyty są umieszczone wewnątrz kasety (pozycja wsunięta). Pokazano na **Rysunku B**.

Rysunek B.



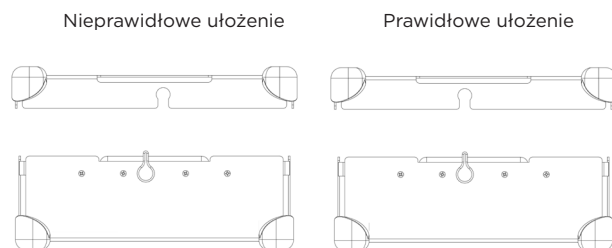
3. Umieścić pokrywę kasety na podstawie kasety, upewniając się, że zatrzaski są prawidłowo umieszczone – tak, aby szczelina zatrzasku znajdowała się na pokrywie kasety – a następnie zamknąć zatrzaski. Zob. **Rysunek C**.

Rysunek C.



Uwaga: Zatrzaski są przesunięte w taki sposób, że pokrywa kasety jest zawsze prawidłowo ustawiona w stosunku do podstawy. Dzięki temu po zamocowaniu pokrywy uchwyty są prawidłowo ułożone. Informacje na temat prawidłowego ułożenia znajdują się na **Rysunku D**. **NIE NALEŻY dociskać pokrywy kasety do podstawy kasety, ponieważ może to spowodować uszkodzenie narzędzi i kasety.**

Rysunek D.



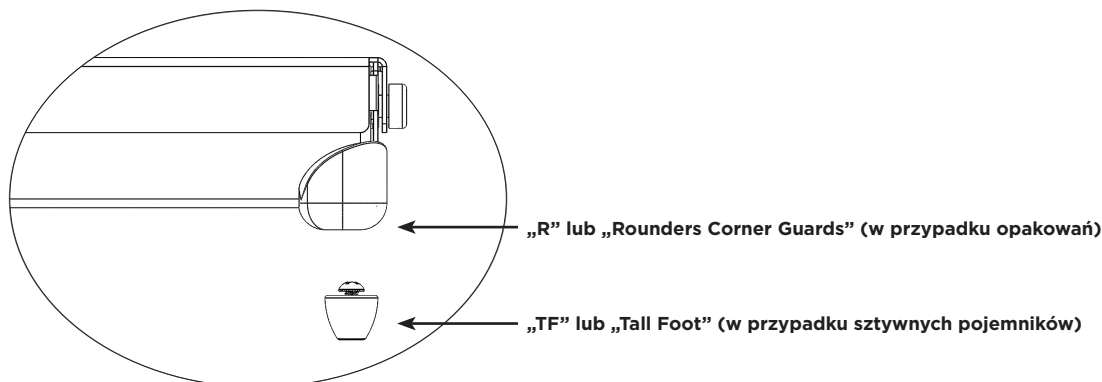
OPAKOWANIE

Systemy InstruSafe mogą być opakowane w legalnie sprzedawane opakowanie lub umieszczone w legalnie sprzedawanym sztywnym pojemniku. Należy zapoznać się ze wskazówkami dotyczącymi stosowania znajdującymi się w instrukcji użytkowania.

Stosowanie z opakowaniem:

1. Przed umieszczeniem kasety w opakowaniu upewnić się, że ma ona prawidłowy rodzaj stopki. Wersja R powinna być stosowana z opakowaniem. Zob. **Rysunek F**.

Rysunek F.



2. Opakować kasetę, stosując legalnie sprzedawane opakowanie i zgodnie z instrukcją producenta opakowania.
3. Sterylizować kasetę w jednym z cykli sterylizacji wymienionych w instrukcji użytkowania.

Użycie ze sztywnym pojemnikiem:

Należy zapoznać się ze wskazówkami dotyczącymi stosowania znajdującymi się w instrukcji użytkowania.

1. Przed umieszczeniem kasety w sztywnym pojemniku należy upewnić się, że ma ona właściwy rodzaj stopki. Wersja TF powinna być używana ze sztywnym pojemnikiem. Zob. **Rysunek F**.
2. Umieścić kasetę w sztywnym pojemniku. Postępować zgodnie z instrukcjami producenta pojemnika dotyczącymi uszczelniania pojemnika.

Uwaga: Nie umieszczać kaset w opakowaniu przed umieszczeniem ich w pojemniku do sterylizacji.

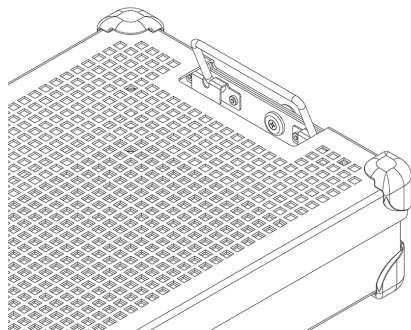
3. Sterylizować pojemnik i jego zawartość w jednym z cykli sterylizacji wymienionych w instrukcji użytkowania.

Informacje dodatkowe:

Aby aseptycznie wyjąć kasetę ze sztywnego pojemnika, należy postępować zgodnie z instrukcją obsługi podaną przez producenta pojemnika.

1. Po założeniu rękawiczek ustawić dłonie tak, aby ich wnętrza były skierowane na zewnątrz, i sięgnąć przez otwory w pokrywie kasety.
2. Chwycić uchwyty kasety i podnieść ją do pozycji podniesionej. Zob. **Rysunek G**.

Rysunek G.



3. Przechylić uchwyty do wewnątrz, odginając od boków sztywnego pojemnika, i wyjąć kasetę z pojemnika, uważając, aby nie dotknąć górnej lub zewnętrznej części pojemnika.
4. Umieścić kasetę na sterylnej powierzchni.

STERYLIZACJA

Parametry sterylizacji, które zostały zakwalifikowane do celów sterylizacji systemów InstruSafe, zob. **Tabela 2.**

Tabela 2.

METODA STERYLIZACJI	CYKL (czas)
Sterylizacja parą wodną	Parametr: Temperatura: 132°C (270°F) Czas ekspozycji: 4 minuty Czas suszenia: 30 minut
Tlenek etylenu (EO)	Kondycjonowanie wstępne: Temperatura: 55°C (131°F) Wilgotność względna: 70 ± 15% Czas trwania kondycjonowania wstępnego: 1 godzina Sterylizacja: Czas ekspozycji: 120 minut Temperatura: 55°C (131°F) Czas napowietrzania: 12 godzin
STERRAD 100S	<i>Standard</i>
STERRAD 100NX	<i>Standard, Express, Flex</i>
STERRAD NX	<i>Standard</i>
STERIS AMSCO V-PRO 1	<i>Standard</i>
STERIS AMSCO V-PRO 1 PLUS	<i>Kanałowe, bezkanałowe</i>
STERIS AMSCO V-PRO maX	<i>Kanałowe, bezkanałowe</i>
STERIS AMSCO V-PRO maX 2	<i>Kanałowe, bezkanałowe</i>
Sterizone VP4	<i>Cykl 1</i>

Firma Summit Medical zatwierdziła następujące metody sterylizacji:

- 4-minutowy cykl sterylizacji w autoklawie w legalnie sprzedawanym opakowaniu, pojemniku sterylizacyjnym InstruSafe, sztywnym pojemniku Aesculap lub sztywnym pojemniku Genesis zatwierdzonych przez FDA. Zgodnie z K180528, pojemnik sterylizacyjny InstruSafe został zatwierdzony do użytkowania z kasetami/tacami systemu ochrony narzędzi InstruSafe.
- Cykl sterylizacji tlenkiem etylenu (EO) w legalnie sprzedawanych opakowaniach lub pojemnikach sterylnych Genesis zatwierdzonych przez FDA.
- Cykl sterylizacji STERRAD 100S Standard w legalnie sprzedawanych opakowaniach lub sztywnym pojemniku Aesculap zatwierdzonych przez FDA.
- Cykl sterylizacji STERRAD 100NX Standard w legalnie sprzedawanych opakowaniach lub sztywnym pojemniku Aesculap zatwierdzonych przez FDA.
- Cykl sterylizacji STERRAD 100NX Express w legalnie sprzedawanych opakowaniach zatwierdzonych przez FDA.
- Cykl sterylizacji STERRAD 100NX Flex w legalnie sprzedawanych opakowaniach lub sztywnym pojemniku Aesculap zatwierdzonych przez FDA.
- Cykl sterylizacji STERRAD NX Standard w legalnie sprzedawanych opakowaniach lub sztywnym pojemniku Aesculap zatwierdzonych przez FDA.
- Cykle sterylizacji STERIS AMSCO V-PRO 1, V-PRO 1 PLUS, V-PRO maX i V-PRO maX 2 w legalnie sprzedawanych opakowaniach lub sztywnym pojemniku Aesculap zatwierdzonych przez FDA.
- Cykl sterylizacji Sterizone VP4 w legalnie sprzedawanych opakowaniach i sztywnym pojemniku Aesculap zatwierdzonych przez FDA.

NIE NALEŻY przekraczać nośności danego pojemnika sterylnego określonej przez producenta.

Do utrzymania sterylności należy używać akcesoriów zatwierdzonych przez FDA.

Należy zapoznać się z instrukcją obsługi sterylizatora, aby upewnić się, że ładunek przeznaczony do sterylizacji jest zgodny z zamierzonym cyklem sterylizacji.

Należy zapoznać się z instrukcją użytkowania pojemnika, aby upewnić się, że ładunek przeznaczony do sterylizacji jest zgodny z ładunkiem zatwierdzonym przez FDA dla danego cyklu sterylizacji.

WSKAZÓWKI DOTYCZĄCE STOSOWANIA

4-minutowy cykl parowy, opakowanie i sztywny pojemnik Aesculap®

Kasety wchodzące w skład systemu ochrony narzędzi InstruSafe® służą do organizowania i ochrony innych urządzeń medycznych, które są sterylizowane przez placówkę służby zdrowia. Kasety wchodzące w skład systemu ochrony narzędzi InstruSafe są przeznaczone do sterylizacji umieszczonych wewnątrz wyrobów medycznych podczas cyklu sterylizacji parowej. Kasety wchodzące w skład systemu ochrony narzędzi InstruSafe są przeznaczone do stosowania w połączeniu z legalnie sprzedawanym opakowaniem lub sztywnym pojemnikiem Aesculap. Kasety wchodzące w skład systemu ochrony narzędzi InstruSafe nie są same w sobie przeznaczone do utrzymywania sterylności.

Parametry sterylizacji w autoklawie	
Cykl	Próżnia wstępna
Temperatura	132°C (270°F)
Czas ekspozycji	4 minuty
Minimalny czas suszenia	30 minut
Model kasety firmy Summit	Model pojemnika Aesculap
IN-8823-AE	*JN444
IN-2880	*JK444
IN-6105	*JN742
*Zatwierdzony przez firmę Summit Medical do użytku w sterylizatorach parowych z próżnią wstępną działających TYLKO w temperaturach 132°C (270°F) dla 4-minutowego cyklu ekspozycji. Należy zapoznać się z instrukcją obsługi pojemnika, aby upewnić się, że jego zawartość nie przekracza zakładanego obciążenia.	

Deklaracje dotyczące kanałów dla 4-minutowego cyklu sterylizacji parą wodną w cyklu próżni wstępnej			
Model kasety firmy Summit	Minimalna średnica wewnętrzna	Maksymalna długość	Liczba kanałów
IN-8823-CF	3 mm	400 mm	4
IN-8823-CF	3 mm	200 mm	2
IN-2880	1 mm	76 mm	2
IN-2880	3 mm	177 mm	1
IN-6105	5 mm	241 mm	1
IN-2681	1 mm	65 mm	1
IN-2681	3 mm	200 mm	1
IN-7823	1 mm	400 mm	17

4-minutowy cykl parowy, sztywny pojemnik Genesis™

Kasety wchodzące w skład systemu ochrony narzędzi InstruSafe® służą do organizowania i ochrony innych urządzeń medycznych, które są sterylizowane przez placówkę służby zdrowia. Kasety wchodzące w skład systemu ochrony narzędzi InstruSafe są przeznaczone do sterylizacji umieszczonych wewnątrz wyrobów medycznych podczas cyklu sterylizacji parowej. Kasety wchodzące w skład systemu ochrony narzędzi InstruSafe są przeznaczone do stosowania w połączeniu z legalnie sprzedawanymi sztywnymi pojemnikami Genesis. Kasety wchodzące w skład systemu ochrony narzędzi InstruSafe nie są same w sobie przeznaczone do utrzymywania sterylności. Pełna lista modeli urządzeń znajduje się w Załączniku A.

Deklaracje dotyczące kanałów dla 4-minutowego cyklu sterylizacji parą wodną w cyklu próżni wstępnej			
Model kasety firmy Summit	Minimalna średnica wewnętrzna	Maksymalna długość	Liczba kanałów
IN-2681	1 mm	65 mm	1
IN-2681	3 mm	200 mm	1
IN-6105	5 mm	241 mm	1
IN-0000	1 mm	400 mm	5
	3 mm	400 mm	1
	5 mm	400 mm	1

WSKAZÓWKI DOTYCZĄCE STOSOWANIA (ciąg dalszy)

8-minutowy cykl parowy i z zastosowaniem tlenu etylenu (EO), opakowanie i sztywny pojemnik Genesis™

Kasety wchodzące w skład systemu ochrony narzędzi InstruSafe® służą do organizowania i ochrony innych urządzeń medycznych, które są sterylizowane przez placówkę służby zdrowia. Kasety wchodzące w skład systemu InstruSafe są przeznaczone do sterylizacji umieszczonych wewnątrz wyrobów medycznych podczas cyklu sterylizacji parą wodną z zastosowaniem próżni wstępnej lub tlenkiem etylenu. Kasety wchodzące w skład systemu InstruSafe są przeznaczone do stosowania w połączeniu z legalnie sprzedawanym opakowaniem lub sztywnym pojemnikiem Genesis. Kasety wchodzące w skład systemu InstruSafe nie są same w sobie przeznaczone do utrzymywania sterylności.

Metody sterylizacji i konfiguracje

8-minutowe kondycjonowanie wstępne przy użyciu pary wodnej w 132°C	
Opakowanie z tkaniny o gęstości 140	Czas suszenia: 10 minut
Opakowanie z włókny (Kimberly Clark)	Czas suszenia: 50 minut
Pojemnik Genesis (zob. Tabela 1 dotycząca stosowanej bibuły filtracyjnej)	Czas suszenia: 30 minut

Tlenek etylenu (EO)
<ul style="list-style-type: none"> 1 godzina kondycjonowania wstępnego w temperaturze 55°C (131°F) przy wilgotności względnej 70±15% 2 godziny ekspozycji w temperaturze 55°C (131°F) 12 godzin napowietrzania

Pojemnik Genesis	Bibuła filtracyjna do pojemników Genesis
CD2-4B	FX3-1: 9 x 9"
CD2-5B	FX3-1: 9 x 9"
CD3-4B	FX3-1: 9 x 9"
CD3-5B	FX3-1: 9 x 9"
CD3-6B	FX3-1: 9 x 9"
CD3-7B	FX3-1: 9 x 9"
CD4-5B	FO3-2: 9 x 6"
CD5-61B	FO3-2: 9 x 6"
CD6-6B	FX3-1: 9 x 9"

W przypadku używania jakiegokolwiek sztywnego pojemnika Genesis patrz: Instrukcja obsługi systemu pojemników do sterylizatora Genesis marki V. Mueller.

Cykle STERRAD® 100S i STERRAD® 100NX® Standard, opakowanie i sztywny pojemnik Aesculap®

Kasety wchodzące w skład systemu ochrony narzędzi InstruSafe® służą do organizowania i ochrony innych urządzeń medycznych, które są sterylizowane przez placówkę służby zdrowia. Kasety wchodzące w skład systemu ochrony narzędzi InstruSafe są przeznaczone do sterylizacji umieszczonych wewnątrz wyrobów medycznych podczas cykli sterylizacji Sterrad 100S Standard i Sterrad 100NX Standard. Kasety wchodzące w skład systemu ochrony narzędzi InstruSafe są przeznaczone do stosowania w połączeniu z legalnie sprzedawanym opakowaniem lub sztywnym pojemnikiem Aesculap. Kasety wchodzące w skład systemu ochrony narzędzi InstruSafe nie są same w sobie przeznaczone do utrzymywania sterylności. Pełna lista modeli urządzeń znajduje się w Załączniku A.

Poniższe tace sterylizacyjne zostały zatwierdzone do użycia w połączeniu z odpowiednimi sztywnymi pojemnikami:

Cykl STERRAD 100S Standard	
Model kasety firmy Summit	Model pojemnika Aesculap
IN-8823-AE	*JM444
IN-6105	*JM440

Cykl STERRAD 100NX Standard	
Model kasety firmy Summit	Model pojemnika Aesculap
IN-8823-AE	*JM444
IN-6105	*JM440

*Zatwierdzony przez firmę Summit Medical do użytku TYLKO w cyklach STERRAD 100S Standard i STERRAD 100NX Standard. Należy zapoznać się z instrukcją obsługi pojemnika, aby upewnić się, że jego zawartość nie przekracza zakładanego obciążenia.

Deklaracje dotyczące kanałów dla cykli STERRAD 100S Standard i STERRAD 100NX Standard	
4 kanały ze stali nierdzewnej o wewnętrznej średnicy 3 mm x 400 mm długości	Wszystkie modele o odpowiednich rozmiarach są wymienione w Załączniku A za wyjątkiem IN-2681.
2 kanały ze stali nierdzewnej o wewnętrznej średnicy 3 mm x 200 mm długości	
1 kanały ze stali nierdzewnej o wewnętrznej średnicy 3 mm x 200 mm długości	IN-2681
1 kanały ze stali nierdzewnej o wewnętrznej średnicy 1mm x 65 mm długości	

WSKAZÓWKI DOTYCZĄCE STOSOWANIA (ciąg dalszy)

Cykl STERRAD® NX® Standard, opakowanie i sztywny pojemnik Aesculap®

Kasety wchodzące w skład systemu ochrony narzędzi InstruSafe® służą do organizowania i ochrony innych urządzeń medycznych, które są sterylizowane przez placówkę służby zdrowia. Kasety wchodzące w skład systemu ochrony narzędzi InstruSafe są przeznaczone do sterylizacji umieszczonych wewnątrz wyrobów medycznych podczas cyklu sterylizacji Sterrad NX Standard. Kasety wchodzące w skład systemu ochrony narzędzi InstruSafe są przeznaczone do stosowania w połączeniu z legalnie sprzedawanym opakowaniem lub sztywnym pojemnikiem Aesculap. Kasety wchodzące w skład systemu ochrony narzędzi InstruSafe nie są same w sobie przeznaczone do utrzymywania sterylności. Pełna lista modeli urządzeń znajduje się w Załączniku A.

Metody sterylizacji i konfiguracje
– cykl sterylizacji Sterrad NX Standard

Deklaracje dotyczące kanałów dla cyklu sterylizacji STERRAD NX Standard			
Model kasety firmy Summit	Minimalna średnica wewnętrzna	Maksymalna długość	Liczba kanałów
IN-2681	1 mm	65 mm	1
IN-2681	3 mm	200 mm	1
IN-8987-S	1 mm	500 mm	5
IN-8615	2,3 mm	210 mm	5
IN-6105	4 mm	235 mm	1

Uwaga: Najgorsze parametry ładunku zatwierdzonego na podstawie obliczeń liczby otworów odpowietrzających względem objętości występowały w przypadku tacy IN-2681.

Cykl STERRAD® 100NX® Express, opakowanie

Kasety wchodzące w skład systemu ochrony narzędzi InstruSafe® służą do organizowania i ochrony innych urządzeń medycznych, które są sterylizowane przez placówkę służby zdrowia. Kasety wchodzące w skład systemu ochrony narzędzi InstruSafe są przeznaczone do sterylizacji umieszczonych wewnątrz wyrobów medycznych podczas cyklu Sterrad® 100NX Express. Kasety wchodzące w skład systemu ochrony narzędzi InstruSafe są przeznaczone do stosowania w połączeniu z legalnie sprzedawanym opakowaniem. Kasety wchodzące w skład systemu ochrony narzędzi InstruSafe nie są same w sobie przeznaczone do utrzymywania sterylności. Nie istnieją deklaracje dotyczące kanałów dla systemu ochrony narzędzi InstruSafe w przypadku cyklu Sterrad 100NX Express.

Cykl sterylizacji STERRAD® 100NX® Flex, opakowanie i sztywny pojemnik Aesculap®

Kasety wchodzące w skład systemu ochrony narzędzi InstruSafe® służą do organizowania i ochrony innych urządzeń medycznych, które są sterylizowane przez placówkę służby zdrowia. Kasety wchodzące w skład systemu ochrony narzędzi InstruSafe są przeznaczone do sterylizacji umieszczonych wewnątrz wyrobów medycznych podczas cyklu sterylizacji Sterrad 100NX Flex. Kasety wchodzące w skład systemu ochrony narzędzi InstruSafe są przeznaczone do stosowania w połączeniu z legalnie sprzedawanym opakowaniem lub sztywnym pojemnikiem Aesculap. Kasety wchodzące w skład systemu ochrony narzędzi InstruSafe nie są same w sobie przeznaczone do utrzymywania sterylności. Pełna lista modeli urządzeń znajduje się w Załączniku A.

Cykl sterylizacji STERRAD 100NX Flex	
Model kasety firmy Summit	Model pojemnika Aesculap
IN-0000	*JM440
IN-6105	*JM440

**Zatwierdzony przez firmę Summit Medical do użytku TYLKO w cyklu sterylizacji STERRAD 100NX Flex. Należy zapoznać się z instrukcją obsługi pojemnika, aby upewnić się, że jego zawartość nie przekracza zakładanego obciążenia.*

Deklaracje dotyczące kanałów dla cyklu sterylizacji STERRAD 100NX Flex				
Model kasety firmy Summit	Minimalna średnica wewnętrzna	Maksymalna długość	Liczba kanałów	Opakowanie / sztywny pojemnik
IN-0000	1 mm	850 mm	1	Opakowanie + sztywny pojemnik
IN-8823	1 mm	850 mm	1	Opakowanie + sztywny pojemnik
IN-7344	1 mm	850 mm	1	Opakowanie
IN-6105	4 mm	235 mm	1	Opakowanie + sztywny pojemnik

Najgorsze parametry ładunku zatwierdzonego na podstawie obliczeń liczby otworów odpowietrzających względem objętości występowały w przypadku tacy IN-0000.

Uwaga: Taca IN-0000 jest przeznaczona wyłącznie do celów testowych.

WSKAZÓWKI DOTYCZĄCE STOSOWANIA (ciąg dalszy)

Cykle sterylizacji niskotemperaturowej AMSCO® V-PRO®, opakowanie i sztywny pojemnik Aesculap®

Kasety wchodzące w skład systemu ochrony narzędzi InstruSafe® służą do organizowania i ochrony innych urządzeń medycznych, które są sterylizowane przez placówkę służby zdrowia. Kasety wchodzące w skład systemu ochrony narzędzi InstruSafe są przeznaczone do sterylizacji umieszczonych wewnątrz wyrobów medycznych podczas cykli sterylizacji niskotemperaturowej Amsco V-PRO. Kasety wchodzące w skład systemu ochrony narzędzi InstruSafe są przeznaczone do stosowania w połączeniu z legalnie sprzedawanym opakowaniem lub sztywnym pojemnikiem Aesculap. Kasety wchodzące w skład systemu ochrony narzędzi InstruSafe nie są same w sobie przeznaczone do utrzymywania sterylności. Pełna lista modeli urządzeń znajduje się w Załączniku A.

Systemy sterylizacji niskotemperaturowej AMSCO V-PRO			
Środek sterylizujący	Cykl Standard	Cykl kanałowy	Cykl bezkanałowy
V-PRO 1	X	Nie dotyczy	Nie dotyczy
V-PRO 1 PLUS	Nie dotyczy	X	X
V-PRO maX	Nie dotyczy	X	X
V-PRO maX 2	Nie dotyczy	X	X
Model kasety firmy Summit		Model pojemnika Aesculap	
IN-8823		*JM444	
IN-6105		*JM742	
*Zatwierdzony przez firmę Summit Medical do użytku TYLKO w systemach do sterylizacji niskotemperaturowej AMSCO V-PRO. W przypadku stosowania pojemnika Aesculap jako bariery sterylnej, ładunek (taca firmy Summit i zawartość) nie powinien przekraczać wartości deklarowanej dla danego pojemnika dotyczącej wagi lub rodzaju ładunku.			

Rozmiar kanałów dla zatwierdzonych narzędzi obejmuje:			
Model kasety firmy Summit	Minimalna średnica wewnętrzna	Maksymalna długość	Liczba kanałów
IN-8823	3 mm	400 mm	2
IN-6105	3 mm	200 mm	1
IN-2681	1 mm	64 mm	1
Uwaga: Najgorsze parametry ładunku zatwierdzonego na podstawie obliczeń liczby otworów odpowietrzających względem objętości występowały w przypadku tacy IN-2681.			

WSKAZÓWKI DOTYCZĄCE STOSOWANIA (ciąg dalszy)

VP4 Sterizone, opakowanie i sztywny pojemnik Aesculap®

Kasety (tace) wchodzące w skład systemu ochrony narzędzi InstruSafe® służą do organizowania i ochrony innych urządzeń medycznych, które są sterylizowane przez placówkę służby zdrowia. Kasety wchodzące w skład systemu ochrony narzędzi InstruSafe są przeznaczone do sterylizacji umieszczonych wewnątrz wyrobów medycznych podczas cyklu sterylizacji 1 STERIZONE VP4. Kasety wchodzące w skład systemu ochrony narzędzi InstruSafe są przeznaczone do stosowania w połączeniu z legalnie sprzedawanym opakowaniem lub sztywnym pojemnikiem Aesculap. Kasety wchodzące w skład systemu ochrony narzędzi InstruSafe nie są same w sobie przeznaczone do utrzymywania sterylności.

Firma Summit Medical zatwierdziła użytkowanie kaset systemu ochrony narzędzi InstruSafe w cyklu 1 sterylizatora STERIZONE VP4 poprzez wykazanie skuteczności sterylizacji reprezentacyjnymi próbkami wyrobów medycznych, w tym narzędzi ogólnych, sztywnych i półsztywnych narzędzi z kanałami i endoskopów giętkich. W ramach zatwierdzenia pozyskano informacje potrzebne do określenia ograniczeń projektowych stosowanych w ramach gamy kaset systemu ochrony narzędzi InstruSafe w celu zapewnienia spełnienia przez wszystkie modele zatwierdzonych wartości granicznych w zakresie wentylacji kasety, pótek wewnętrznych i masy:

- Minimalny stosunek wentylacji do objętości, narzędzia ogólne: 0,073
- Minimalny stosunek wentylacji do objętości, endoskopy giętkie: 0,263
- Maksymalna liczba pótek wewnętrznych: Dwie (2)
- Maksymalna masa kasety (wraz z zawartością): 25 funtów/kasetę

Poniższa tabela wskazuje zatwierdzone ładunki dla kaset systemu ochrony narzędzi InstruSafe. Należy zapoznać się z instrukcją producenta sterylizatora w celu zapewnienia, że ładunki nie przekraczają wartości znamionowych dla sterylizatora.

Opis ładunków systemu ochrony narzędzi InstruSafe.

Reprezentatywny ładunek do zatwierdzenia sterylizatora STERIZONE® VP4 nr (K190260)	Opis ładunku do zatwierdzenia Summit Medical	Całkowita masa ładunku (z wyłączeniem ważące 25 funtów szuflady załadowniczej)
4	<p>Ładunek 4a: Obejmował ładunek graniczny dla sztywnych i półsztywnych narzędzi z kanałami:</p> <ul style="list-style-type: none"> • Trzy (3) dwukanałowe endoskopy półsztywne (ureteroskop – 0,7 mm × 500 mm i 1,1 mm × 500 mm) zostały zapakowane, jeden (1) na kasetę, w trzech (3) kasetach IN 7323-R. • Dodane zostały dodatkowe narzędzia sztywne w celu osiągnięcia łącznej liczby 15 kanałów. <p>Każda kasetka zawierała odpowiednie silikonowe uchwyty narzędzi i była opakowana.</p> <p>Ładunek 4b: Obejmował ładunek graniczny dla sztywnych i półsztywnych narzędzi z kanałami:</p> <ul style="list-style-type: none"> • Trzy (3) dwukanałowe endoskopy półsztywne (ureteroskop – 0,7 mm × 400 mm i 1,1 mm × 400 mm) zostały zapakowane, jeden (1) na kasetę, w trzech (3) kasetach IN-0007-TF. • Dodane zostały dodatkowe narzędzia sztywne w celu osiągnięcia łącznej liczby 15 kanałów. <p>Każda kasetka zawierała odpowiednie silikonowe uchwyty narzędzi i została umieszczona w sztywnym pojemniku Aesculap JM440.</p>	<p>Ładunek 4a = 5 funtów/kasetę, 15 funtów łącznie</p> <p>Ładunek 4b = 11 funtów/kasetę, 33 funtów łącznie</p>
7	<p>Ładunek do zatwierdzenia Summit Medical 7a: Obejmował ładunek o granicznej masie dla ogólnych narzędzi medycznych o następujących geometriach:</p> <ul style="list-style-type: none"> • Zawias zwykły • Zawias obrotowy • Luer-lock <p>Ogólne narzędzia medyczne podzielono na trzy (3) kasety IN-7323-R z odpowiednimi silikonowymi uchwytami, przy czym każda ważyła 25 funtów. Kasety były opakowane.</p> <p>Ładunek do zatwierdzenia Summit Medical 7b: Obejmował ładunek o granicznej masie dla ogólnych narzędzi medycznych o następujących geometriach:</p> <ul style="list-style-type: none"> • Zawias zwykły • Zawias obrotowy • Luer-lock <p>Ogólne narzędzia medyczne podzielono na trzy (3) kasety IN-0006-TF z odpowiednimi silikonowymi uchwytami. Kasety umieszczono w pojemnikach Aesculap JM440, przy czym każda ważyła 25 funtów.</p>	<p>Ładunek 7a = 25 funtów/kasetę 75 funtów łącznie</p> <p>Ładunek 7b = 25 funtów/kasetę 75 funtów łącznie</p>
8	<p>Ładunek do zatwierdzenia Summit Medical 8a: Obejmował ładunek o granicznej masie złożony z pięciu (5) elastycznych kanałów endoskopowych w opakowanych kasetach:</p> <ul style="list-style-type: none"> • Dwa (2) dwukanałowe endoskopy giętkie (ureteroskopy – 1 mm × 850 mm i 1 mm × 989 mm) zostały zapakowane, jeden (1) na kasetę, w kasety IN-0003-R. • Jeden (1) jednokanałowy endoskop giętki (ureteroskop – 1 mm × 850 mm) został zapakowany w kasecie IN-0004-R. <p>Kasety zawierały odpowiednie silikonowe uchwyty i były opakowane.</p> <p>Ładunek do zatwierdzenia Summit Medical 8b: Obejmował ładunek graniczny złożony z czterech (4) giętkich kanałów endoskopowych w kasetach opakowanych w opakowania sztywne:</p> <ul style="list-style-type: none"> • Dwa (2) dwukanałowe endoskopy giętkie (ureteroskop – 1 mm × 850 mm i 1 mm × 989 mm) zostały zapakowane, jeden (1) na kasetę, w kasetach IN-0003-TF z odpowiednimi silikonowymi uchwytami. <p>Każda kasetka została umieszczona w pojemniku Aesculap JM442.</p>	<p>Ładunek 8a = 4,3 funtów/kasetę, 13 funtów łącznie</p> <p>Ładunek 8b = 8,3 funtów/kasetę, 25 funtów łącznie</p>

PRZECHOWYWANIE

Kasety sterylne należy przechowywać w opakowaniu lub w pojemniku na półce magazynowej w pozycji poziomej. Informacje na temat okresu trwałości można uzyskać u producenta opakowania lub pojemnika.

UTYLIZACJA

W przypadku, gdy systemy ochrony narzędzi InstruSafe® nie przejdą kontroli przed użyciem lub zostaną uznane za nienadające się do dalszego użytkowania z innego powodu, należy je zutylizować zgodnie z lokalnym protokołem. Metoda utylizacji zależy od potencjalnego ryzyka zanieczyszczenia krzyżowego i zakażenia w momencie ustalenia konieczności utylizacji.

ZGŁASZANIE POWAŻNYCH INCYDENTÓW

Każdy poważny incydent, który miał miejsce w związku z wyrobem, należy zgłaszać producentowi i agencji FDA / właściwemu organowi w kraju członkowskim zamieszkanym przez użytkownika i/lub pacjenta.

GWARANCJA

OGRANICZONA GWARANCJA NA SYSTEM OCHRONY NARZĘDZI INSTRUSAFE FIRMY SUMMIT MEDICAL.

NINIEJSZA OGRANICZONA GWARANCJA ORAZ ŚRODKI ZARADCZE PRZEWIDZIANE W NINIEJSZYM DOKUMENCIE MAJĄ CHARAKTER WYŁĄCZNY I ZASTĘPUJĄ WSZELKIE INNE WYRAŻNE GWARANCJE. O ILE NIE OKREŚLONO INACZEJ W NINIEJSZYM DOKUMENCIE, WSZELKIE OŚWIADCZENIA LUB DEKLARACJE ZŁOŻONE PRZEZ INNĄ OSOBĘ LUB FIRMĘ SĄ NIEWAŻNE. CZAS TRWANIA WSZELKICH DOROZUMIANYCH GWARANCJI PRZYDATNOŚCI HANDLOWEJ LUB PRZYDATNOŚCI DO OKREŚLONEGO CELU JEST OGRANICZONY DO CZASU TRWANIA WYRAŻNEJ OGRANICZONEJ GWARANCJI. ANI FIRMA SUMMIT MEDICAL ANI JEJ PODMIOTY STOWARZYSZONE NIE PONOSZĄ ODPOWIEDZIALNOŚCI ZA ŻADNE PRZYPADKOWE, NASTĘPCZE LUB SZCZEGÓLNE STRATY LUB SZKODY WYNIKAJĄCE Z KORZYSTANIA LUB NIEMOŻNOŚCI KORZYSTANIA Z SYSTEMU INSTRUSAFE, NIEZALEŻNIE OD TEGO, CZY WYNIKAJĄ ONE Z NARUSZENIA GWARANCJI CZY INNEJ ZASADY PRAWNEJ.

Niniejsza ograniczona gwarancja przyznaje użytkownikowi określone prawa, natomiast użytkownik może mieć również inne prawa, które różnią się w poszczególnych państwach. Niektóre państwa nie zezwalają na ograniczenie okresu obowiązywania dorozumianej gwarancji lub nie zezwalają na wyłączenie lub ograniczenie szkód przypadkowych lub wynikowych, w związku z czym powyższe ograniczenia lub wyłączenia mogą nie mieć zastosowania do klienta.

Zakres gwarancji. Firma Summit Medical gwarantuje pierwotnemu nabywcy, że system InstruSafe objęty niniejszą ograniczoną gwarancją jest zgodny ze specyfikacjami producenta i jest wolny od wad produkcyjnych i materiałowych przez okres 12 miesięcy od daty pierwotnego zakupu. Jeżeli pierwotny nabywca przekaze System InstruSafe osobie trzeciej, niniejsza ograniczona gwarancja nie będzie przysługiwała osobie, której przekazano produkt.

Co zrobimy, aby naprawić problemy. Jeżeli System InstruSafe okaże się wadliwy w okresie gwarancji, należy powiadomić firmę Summit Medical lub autoryzowanego dystrybutora lub sprzedawcę firmy Summit Medical. Użytkownik musi zezwolić firmie Summit Medical lub jej przedstawicielom na przeprowadzenie badań, analiz i testów, jakie firma Summit Medical uzna za stosowne, a na żądanie użytkownik zwróci produkt do fabryki na adres podany poniżej. Jedynym obowiązkiem firmy Summit Medical wynikającym z niniejszej ograniczonej gwarancji jest, według własnego uznania, naprawa lub wymiana wadliwego produktu lub produktów, bez opłat za części lub robociznę. Koszty pocztowe, ubezpieczenia lub wysyłki poniesione w związku z dostarczeniem produktu wchodzącego w skład Systemu InstruSafe do serwisu gwarancyjnego są pokrywane przez użytkownika.

Co nie jest objęte gwarancją. Niniejsza ograniczona gwarancja jest uzależniona od właściwego użytkowania oraz konserwacji produktu; nie obejmuje ona produktów, które zostały niewłaściwie wysłane lub które były niewłaściwie użytkowane, przeciążane, zaniedbywane lub niewłaściwie konserwowane, czyszczone lub przechowywane, lub które były serwisowane przez osoby trzecie, inne niż firma Summit Medical lub autoryzowany dystrybutor lub dealer firmy Summit Medical, lub które zostały zmodyfikowane bez wyraźnej zgody firmy Summit Medical. Niestosowanie się do wskazówek zawartych w instrukcji obsługi może stanowić niewłaściwe użytkowanie lub konserwację produktu i powodować wyłączenie niniejszej ograniczonej gwarancji. Niniejsza gwarancja nie obejmuje normalnego zużycia ani elementów zamiennych.

W przypadku pytań lub roszczeń związanych z niniejszą gwarancją, należy skontaktować się z firmą Summit Medical:

Dział obsługi klienta
Summit Medical
815 Vikings Parkway, Suite 100
St. Paul, MN 55121 | USA
www.instrusafe.com

TELEFON: 651-789-3939 | 888-229-2875
FAKS: 651-789-3979 | 888-229-1941
E-MAIL: customerservice@innoviamedical.com

Burada sağlanan talimatların, tekrar kullanılabilir tıbbi cihazların yeniden işlenmesi için uygun olduğu cihaz üreticisi tarafından doğrulanmıştır.

Münferit sterilizatörler, alet temizliği, alet tepsilerine özel yükleme, aletlerin türleri ve geometrisi, sterilizasyon kapları, filtreler ve sargılar her bir lokasyonda değişkenlik göstermektedir.

ÜRÜNÜ HİZMETE ALMADAN ÖNCE BU KISMI OKUYUN

KULLANIM AMACI/KULLANIM ENDİKASYONLARI ÖZETİ

InstruSafe® Alet Koruma Sistemlerinin kasetleri/tepsileri, tekrar kullanılabilir cihazları taşıma, sterilizasyon ve depolama sırasında barındırmaya ve korumaya yöneliktir. InstruSafe® Alet Koruma Sistemi kasetleri/tepsileri, sağlık uzmanları tarafından sterilize edilen diğer tıbbi cihazları düzenlemekte ve korumakta kullanılır. InstruSafe Alet Koruma Sistemi kasetleri/tepsileri, aşağıdaki sterilizasyon döngüleri sırasında içerisindeki tıbbi cihazların sterilize edilmesine olanak sağlayacak şekilde tasarlanmıştır:

- Ön Vakumlu Buhar (ISO 17665-1 ve EN 285)
- Etilen Oksit (ISO 11135)
- Onaylanmış Düşük Sıcaklıkta Sterilizasyon Sistemi, (ISO 14937) yani
 - STERRAD® 100S Standard (kısa döngü) ▪ STERIS® AMSCO® V-PRO 1®, V-PRO 1 Plus, V-PRO maX ve V-PRO maX 2
 - STERRAD® 100NX® Express, Standard ve Flex ▪ Sterizone® VP4
 - STERRAD® NX® Standard

InstruSafe Alet Koruma Sistemi kasetleri/tepsileri, sterilliği kendi kendilerine koruyacak şekilde tasarlanmamıştır. InstruSafe Alet Koruma Sistemi kasetleri/tepsileri satışı yasal olan bir sargı, Aesculap® rijit kaplar veya Genesis™ rijit kaplarla birlikte kullanılmaya yöneliktir.

InstruSafe Sterilizasyon Kapları, 510(k) K180528 kapsamında InstruSafe Alet Koruma Sistemi kasetleriyle/tepsileriyle birlikte kullanılmak üzere onaylanmıştır (ön vakum, 132°C (270°F), yalnızca 4 dakikalık buhar sterilizasyon döngüsü). Daha fazla bilgi için, InstruSafe® Sterilizasyon Kabi kullanma talimatlarına başvurun.

Cihaz modellerinin tam listesi Ek A'da verilmiş olup, şu adresten de görüntülenebilir: www.instrusafe.com/ifus.

CİHAZ TANIMI

Summit Medical InstruSafe Alet Koruma Sistemleri, sterilizasyon işlemi ve sonraki depolama ve taşıma sırasında cerrahi aletlerin ve alet aksesuarlarının düzenli bir şekilde yerleştirilip muhafaza edilmesi için kullanılan kasetlerdir/tepsilerdir. Kasetler/tepsiler hastayla doğrudan temas etmez. Kasetlerin/tepsilerin sterilliği kendi kendilerine korunmaz. Kasetler/tepsiler, mandallı kapaklı dikdörtgen bir taban olan temel konfigürasyonda ama farklı boyutlardadır. Kasetlerde/tepsilerde, sterilizasyon maddesinin nüfuz etmesine izin veren delikler vardır. Kasetlerin/tepsilerin tabanında ve/veya kapağında, sterilizasyon işlemi ve sonraki depolama ve taşıma sırasında cerrahi aletleri kasetin/tepsinin içerisinde tutmak, düzenlemek ve korumak için silikon parçalar vardır.

HEDEFLenen KULLANICI

InstruSafe® Alet Koruma Sistemleri, sağlık uzmanları tarafından ameliyathanede ve steril işleme departmanında tıbbi cihazların taşınması, sterilizasyonu ve depolanması için kullanılmaya yöneliktir.

İŞLEME SINIRLAMASI

1. InstruSafe Alet Koruma Sisteminin yararlı ömür sonu minimum 25 sterilizasyon döngüsü ile gelir. Kullanmadan önce tepsiyi kullanımdan kaynaklanan yıpranma ve hasar bakımından inceleyin. Korozyon, mekanik arıza, çatlama, soyulma, pullanma, kaynak kırılması, ayak hasarı, mandal hasarı, Hold-Its®/Hold-Downs hasarı, renk bozulması vb. görünür yıpranma işaretleri varsa kullanmayı bırakın.
2. Sterilizasyon yöntemleri ve konfigürasyonlar için, bkz. **Tablo 2**.
3. InstruSafe Sistemleri veya bileşenleri **AŞIRI YÜKLEMİYİN**.
4. Hold-Its yuvalarını **AŞIRI YÜKLEMİYİN**. Hold-Its yuvası başına yalnızca tek bir alet olmasına dikkat edin.
5. Rijit kap kullanıcıları için, InstruSafe Alet Sistemlerini veya bileşenlerini **SARMAYIN** ve sterilizasyon için kabın içine yerleştirmeyin.
6. InstruSafe Sistemlerini veya bileşenlerini tek tek sarılmış veya kaplara konulmuş şekilde sterilizatörlerin içine **İSTİFLEMİYİN**. Sarılmış veya kaplara konmuş InstruSafe Sistemlerini veya bileşenlerini, maksimum sterilizasyon maddesi akışı sağlamak için birbirlerinden veya diğer öğelerden ayırarak ayrı sterilizatör raflarına koyun.
7. Emici olmayan tepsi astarlarının (örn. silikon çim düzenleme matı) kullanılması, yoğuşma birikmesine neden olabilir. Görünür nem varsa, yeniden sterilize edin ve kurutma süresini daha uzun tutun.
8. Kap sisteminin toplam ağırlığı (örn. kap, tepsi ve yüklenen aletler) 11,34 kg'ı (25 pound) aşmamalıdır.
9. Aletler (örneğin endoskoplar ve lümenli veya kanallı aletler), alet üreticilerinin talimatlarına göre hazırlanmalı ve sterilize edilmelidir.
10. Sterilizasyon işlemine tabi tutulmakta olan aletlerin ve kapların konfigürasyonlarına uygulanacak terminal sterilizasyon işlemi için özel doğrulamaları sürdürmek işlemi yapan kişinin sorumluluğundadır.
11. Diğer sınırlamalar için (örneğin, boyut veya ağırlık kısıtlamaları), sterilizatör üreticisinin kullanma talimatlarına başvurun.

UYARILAR

- Alüminyum InstruSafe Sistemleri için, yüzeye zarar vermeyi önlemek amacıyla yalnızca pH'si nötr (6,0 – 8,5) olan deterjanlar kullanın. Yüksek asidik veya yüksek alkali pH değerine sahip deterjanlar, kasetin ve metal bileşenlerin eloksallı alüminyum yüzeyine kalıcı olarak zarar verebilir.
- Ambalajı hasarlıysa veya kullanılmadan önce istenmeden açılmışsa ürünü kullanmayın.

Not: Hizmete almadan önce kasetleri sağlanan talimatlar doğrultusunda temizleyin ve inceleyin.

EVRENSEL ÖNLEMLER

- Personel, maruz kalacakları kontaminasyon düzeyi için işverenlerinin/departmanlarının işletme prosedürlerinde gereken tüm kişisel koruyucu giysileri ve ekipmanları kullanmalıdır.
- Korozyonu önlemek için sterilizasyon sırasında benzer olmayan metalleri ayrı tutun.

KULLANIM NOKTASI

Kirleri tek kullanımlık bezlerle/kağıt havlularla uzaklaştırın. Kontamine bileşenler, gereken temizlik işlemleri uygulanana kadar nemli tutulmalıdır.

TEMİZLİK

Aletleri kasetler içinde temizlemeye özel talimatlar için alet üreticisinin kullanım talimatlarına başvurun.

Kaseti/tepsiyi temizlemek için aşağıdaki onaylanmış temizlik seçeneklerinden birinin kullanılması önerilir.

Alüminyum kasetlerin yüzeyine zarar vermeyi önlemek için yalnızca nötr pH'li (6,0 – 8,5) olan ve sodyum karbonat içermeyen çözeltiler kullanın.

Bulaşık ovma süngerleri veya aşındırıcı temizleyiciler **KULLANMAYIN**. Kaseti sıvıda **BEKLETMEYİN**.

1. Kaba Kirleri Elle Uzaklaştırma:

- Gereken malzemeler: Nötr pH (6,0 – 8,5) enzimatik deterjan, yumuşak uçlu fırça ve akan su.
- Tüm görünür kirleri ve kontamine edicileri yumuşak uçlu bir fırça kullanarak uzaklaştırın. Kirleticilerin uzaklaştırılmasına yardım etmek ve deterjanın personele sıçramasını önlemek için, temizlik sırasında kasetin tamamı minimum 2 dakika boyunca daldırılmalıdır.
- Tüm deterjanı uzaklaştırmak için temiz suyla minimum 1 dakika boyunca iyice durulayın. Deterjan etiketindeki durulama talimatlarına bakın.

2. Ultrasonik Temizlik:

- Bir ultrasonik temizlik ünitesinde enzim banyosu hazırlayın.
- Tek bir kaseti deterjana yerleştirin ve minimum on dakika boyunca çalıştırın.
- Soğuk musluk suyuyla minimum 2 dakika boyunca durulayın.
- Kasette kirleticiler olup olmadığını görsel olarak inceleyin. Görünür kontaminasyonu uzaklaştırmak için gerekiyorsa döngüyü tekrarlayın.

3. Otomatik Yıkama Ünitesi:

InstruSafe Alet Koruma Sistemleri, **Tablo 1**'de listelenen otomatik yıkama sistemi döngüleri için doğrulanmıştır. Belirli parametrelerin doğrulanması, işlemi yapan kişi tarafından yürütülmelidir.

Tablo 1

DÖNGÜ	SU SICAKLIĞI	TEMİZLEME İŞLEMİ
Ön Yıkama 1 ve 2	Soğuk Musluk Suyu	Resirkülasyon Süresi: 2 Dakika
Enzimatik Banyo	Sıcak Musluk Suyu	Daldırma Süresi: 4 Dakika
Yıkama 1	65,5°C'de (150°F) ısıtma	Resirkülasyon Süresi: 15 Dakika
Durulama 1 ve 2	Sıcak Musluk Suyu	Resirkülasyon Süresi: 5 Dakika

Not: Bir otomatik yıkama döngüsü tamamlandıktan sonra, InstruSafe Sisteminde (kaset ve aksesuarlar) görünür kir kalıp kalmadığını gözle inceleyin. Sterilizasyona gönderme öncesinde görünür tüm kirlerin elle temizlik, fırçalama, ultrasonik veya ek otomatik döngülerle uzaklaştırılması gerekir.

DEZENFEKSİYON

InstruSafe sistemleri, terminal olarak sterilize edilmeye yöneliktir.

BAKIM, İNCELEME VE TEST ETME

InstruSafe sistemleri, korozyon, çatlama, paslanma, soyulma, pullanma, renk bozulması veya mekanik arıza gibi kabul edilemez bozulmalar oluşana kadar tekrar kullanılabilirler.

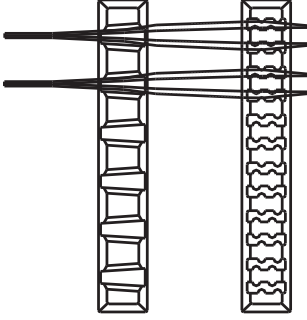
Mekanik Arıza belirtilerinden bazıları:

- Kırık veya çatlak köşeler veya kaynaklar
- Kırık veya çalışmayan mandallar
- Eksik, yırtılmış veya kesilmiş silikon parçalar
- Eksik veya hasarlı ayaklar

MONTAJ

1. Aletleri, önceden belirlenmiş tutuculara veya konum çubuklarıyla tanımlanmış alana, tüm aletlerin yüzeyleri sterilizasyon maddesine maruz kalacak şekilde yerleştirin. Bkz. **Şekil A**. Her bir yuvada yalnızca tek bir alet bulunduğundan emin olun. Mümkünse, alet üreticisinin talimatları doğrultusunda, aletleri sökün veya tüm parçalarını açın.
Tutucuları aşırı YÜKLEMİYİN veya kasetlerin ağırlık sınırlarını aşmayın. Bkz. Ek A.

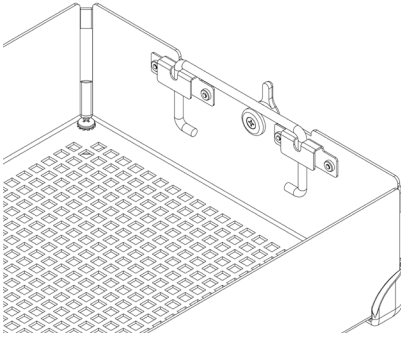
Şekil A.



Not: Aletler (örneğin endoskoplar ve lümenli veya kanallı aletler), alet üreticilerinin kullanma talimatlarına göre hazırlanmalı ve sterilize edilmelidir.

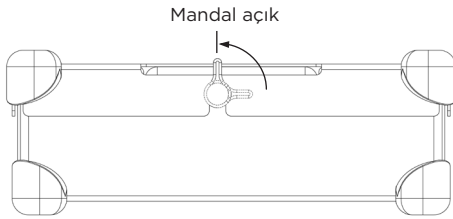
2. Kulpların kasetin içerisinde olduklarından (geri çekilmiş konumda) emin olun. **Şekil B**'de gösterilmektedir.

Şekil B.



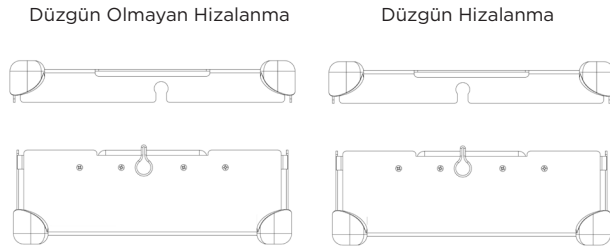
3. Mandalların kaset kapağındaki mandal yuvasına düzgün yerleştiğinden emin olarak kaset kapağını kaset tabanının üzerine yerleştirin, ardından mandalları kapatın. Bkz. **Şekil C**.

Şekil C.



Not: Mandallar, kaset kapağının tabanla her zaman düzgün hizalanmasını sağlayacak şekilde kaydırılmıştır. Bu, kapak sabitlendiğinde tutucuların hizalanmasını sağlar. Düzgün hizalama için, bkz. **Şekil D**.
Kaset kapağını kaset tabanının üzerine oturtması için ZORLAMAYIN, aksi halde aletler ve kaset zarar görebilir.

Şekil D.



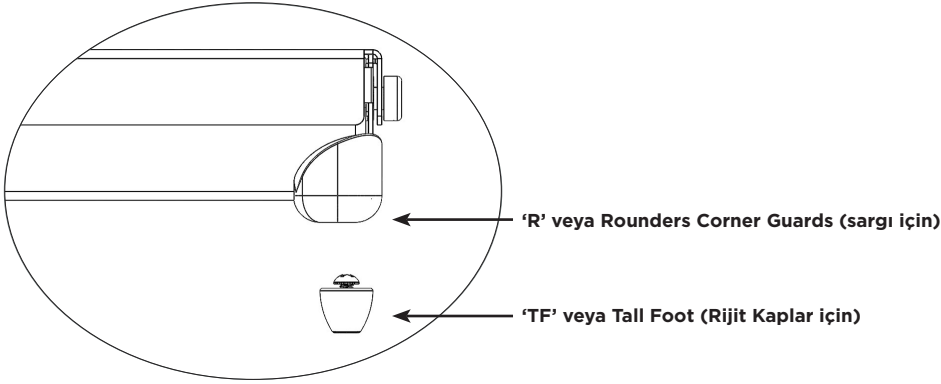
AMBALAJ

InstruSafe Sistemler, satışı yasal olan bir sargıyla sarılabilir veya satışı yasal olan bir rijit kaba yerleştirilebilir. Daha fazla bilgi için, kullanma talimatlarında bulunan Kullanım Endikasyonları beyanlarına başvurun.

Sargıyı kullanma:

1. Kaseti sarmadan önce, uygun ayak stiline sahip olduğundan emin olun. Sargıyla R kullanılmalıdır. Bkz. **Şekil F**.

Şekil F.



2. Kaseti, yasal olarak satılan bir sargı kullanarak, sargı üreticisinin talimatları doğrultusunda sarın.

3. Kullanma talimatlarında listelenen sterilizasyon döngülerinden birini kullanarak paketi sterilize edin.

Rijit Kapla kullanma:

Daha fazla bilgi için, kullanma talimatlarında bulunan Kullanım Endikasyonları beyanlarına başvurun.

1. Kaseti bir rijit kaba yerleştirmeden önce, uygun ayak stiline sahip olduğundan emin olun. Rijit kapla TF kullanılmalıdır. Bkz. **Şekil F**.

2. Kaseti rijit kaba yerleştirin. Kabı mühürlemek için, kap üreticisinin talimatlarını izleyin.

Not: Kasetleri, sterilizasyon için kaba yerleştirmeden önce sarmayın.

3. Kullanma talimatlarında listelenen sterilizasyon döngülerinden birini kullanarak kabı ve içindekileri sterilize edin.

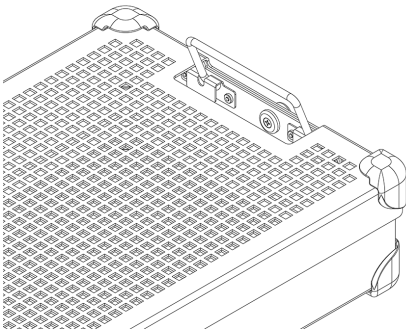
Ek Bilgi:

Kaseti rijit kaptan aseptik olarak çıkarmak için, kap üreticisinin kullanma talimatlarını izleyin.

1. Ellerinize eldiven takarak, avuçlarınızı dışa doğru yerleştirin ve kaset kapağındaki açıklıklardan içeriye uzanın.

2. Kaset kulplarını tutun ve kasetleri kaldırılmış konumlarına yükseltin. Bkz. **Şekil G**.

Şekil G.



3. Kulpları içeri doğru, rijit kabın kenarlarından uzağa eğin ve kabın tepesine veya dış kısmına dokunmamaya dikkat ederek kaseti kaldırıp kaptan dışarı çıkarın.

4. Kaseti steril bir yüzeye yerleştirin.

STERİLİZASYON

InstruSafe Sistemlerinin sterilizasyonunda kullanılmak üzere doğrulanmış sterilizasyon parametreleri için, bkz. **Tablo 2.**

Tablo 2.

STERİLİZASYON YÖNTEMİ	DÖNGÜ (kez)
Ön Vakumlu Buhar	Parametre: Sıcaklık 132°C (270°F) Maruz Bırakma Süresi 4 dakika Kurutma Süresi 30 dakika
Etilen Oksit (EO)	Ön Koşullama: Sıcaklık 55°C (131°F) Bağıl nem %70 ±15 Ön koşullama süresi 1 saat Sterilizasyon: Maruz bırakma süresi 120 dakika Sıcaklık 55°C (131°F) Havalandırma süresi 12 saat
STERRAD 100S	Standard
STERRAD 100NX	Standard, Express, Flex
STERRAD NX	Standard
STERIS AMSCO V-PRO 1	Standard
STERIS AMSCO V-PRO 1 PLUS	Lümenli, Lümensiz
STERIS AMSCO V-PRO maX	Lümenli, Lümensiz
STERIS AMSCO V-PRO maX 2	Lümenli, Lümensiz
Sterizone VP4	Döngü 1

Summit Medical aşağıdaki sterilizasyon yöntemlerini doğrulamıştır:

- Satışı yasal olan sargıda, InstruSafe Sterilizasyon Kabında, Aesculap rijit kapta veya Genesis rijit kapta 4 dakikalık otoklav sterilizasyon döngüsü, FDA tarafından onaylanmıştır. K180528 kapsamında InstruSafe Sterilizasyon Kabı, InstruSafe Alet Koruma Sistemi kasetleriyle/tepsileriyle birlikte kullanılmak üzere onaylanmıştır.
- Satışı yasal olan sargıda veya bir Genesis steril kapta Etilen Oksit (EO) sterilizasyon döngüsü olması FDA tarafından onaylanmıştır.
- Satışı yasal olan sargıda veya bir Aesculap rijit kapta STERRAD 100S Standard sterilizasyon döngüsü olması FDA tarafından onaylanmıştır.
- Satışı yasal olan sargıda veya bir Aesculap rijit kapta STERRAD 100NX Standard sterilizasyon döngüsü olması FDA tarafından onaylanmıştır.
- Satışı yasal olan sargıda STERRAD 100NX Express sterilizasyon döngüsü olması FDA tarafından onaylanmıştır.
- Satışı yasal olan sargıda veya bir Aesculap rijit kapta, STERRAD 100NX Flex sterilizasyon döngüsü olması FDA tarafından onaylanmıştır.
- Satışı yasal olan sargıda veya bir Aesculap rijit kapta STERRAD NX Standard sterilizasyon döngüsü olması FDA tarafından onaylanmıştır.
- Satışı yasal olan sargıda veya bir Aesculap rijit kapta STERIS AMSCO V-PRO 1, V-PRO 1 PLUS, V-PRO maX ve V-PRO maX 2 sterilizasyon döngüleri FDA tarafından onaylanmıştır.
- Satışı yasal olan sargıda veya bir Aesculap rijit kapta, Sterizone VP4 sterilizasyon döngüsü olması FDA tarafından onaylanmıştır.

Steril kabın üreticisi tarafından belirtilen yük kapasitesini **AŞMAYIN**.

Sterilliği korumak için FDA onaylı bir aksesuar kullanın.

Amaçlanan yüklerin, amaçlanan sterilizasyon döngüsüne uygun olduğundan emin olmak için lütfen sterilizatör kullanma kılavuzuna başvurun.

Planlanan yükün, kap için FDA'nın onayladığı yüklerle uygun olduğundan emin olmak için lütfen kap talimatlarına başvurun.

KULLANIM ENDİKASYONLARI

4 Dakika Buhar, Sargı ve Aesculap® Rijit Kap

InstruSafe® Alet Koruma Sistemi kasetleri, bir sağlık uzmanı tarafından sterilize edilen diğer tıbbi cihazları düzenlemekte ve korumakta kullanılır. InstruSafe Alet Koruma Sistemi kasetleri, içlerindeki tıbbi cihazların, ön vakumlu buhar sterilizasyon döngüsü sırasında sterilize edilmesine izin verecek şekilde tasarlanmıştır. InstruSafe Alet Koruma Sistemi kasetleri, satışı yasal olan bir sargı veya Aesculap rijit kap ile birlikte kullanılmaya yöneliktir. InstruSafe Alet Koruma Sistemi kasetleri, sterilliği kendi kendilerine koruyacak şekilde tasarlanmamıştır.

Otoklav Sterilizasyon Parametresi	
Döngü	Ön Vakum
Sıcaklık	132°C (270°F)
Maruz Bırakma Süresi	4 dakika
Minimum Kurutma Süresi	30 dakika
Summit Kaset Modeli	Aesculap Kap Modeli
IN-8823-AE	*JN444
IN-2880	*JK444
IN-6105	*JN742
<i>*Summit Medical tarafından YALNIZCA 132°C'de (270°F) çalışan Ön Vakumlu Buhar sterilizatörlerinde 4 dakikalık maruz kalma süresiyle kullanılması onaylanmıştır. İçeriğin, sterilizasyon kabının planlanan yük istemlerini aşmadığından emin olmak için kap talimatlarına başvurun.</i>	

4 Dakikalık Ön Vakumlu Buhar Sterilizasyon Döngüsü İçin Lümen İstemleri			
Summit Kaset Modeli	Minimum İç Çap	Maksimum Uzunluk	Lümen Sayısı
IN-8823-CF	3 mm	400 mm	4
IN-8823-CF	3 mm	200 mm	2
IN-2880	1 mm	76 mm	2
IN-2880	3 mm	177 mm	1
IN-6105	5 mm	241 mm	1
IN-2681	1 mm	65 mm	1
IN-2681	3 mm	200 mm	1
IN-7823	1 mm	400 mm	17

4 Dakika Buhar, Genesis™ Rijit Kap

InstruSafe® Alet Koruma Sistemi kasetleri, bir sağlık uzmanı tarafından sterilize edilen diğer tıbbi cihazları düzenlemekte ve korumakta kullanılır. InstruSafe Alet Koruma Sistemi kasetleri, içlerindeki tıbbi cihazların, ön vakumlu buhar sterilizasyon döngüsü sırasında sterilize edilmesine izin verecek şekilde tasarlanmıştır. InstruSafe Alet Koruma Sistemi kasetleri, satışı yasal olan bir Genesis rijit kapla birlikte kullanılmaya yöneliktir. InstruSafe Alet Koruma Sistemi kasetleri, sterilliği kendi kendilerine koruyacak şekilde tasarlanmamıştır. Cihaz modellerinin tam listesi Ek A'da verilmiştir.

4 Dakikalık Ön Vakumlu Buhar Sterilizasyon Döngüsü İçin Lümen İstemleri			
Summit Kaset Modeli	Minimum İç Çap	Maksimum Uzunluk	Lümen Sayısı
IN-2681	1 mm	65 mm	1
IN-2681	3 mm	200 mm	1
IN-6105	5 mm	241 mm	1
IN-0000	1 mm	400 mm	5
	3 mm	400 mm	1
	5 mm	400 mm	1

KULLANIM ENDİKASYONLARI (devamı)

8 Dakika Buhar ve Etilen Oksit (EO), Sargı ve Genesis™ Rijit Kap

InstruSafe® Alet Koruma Sistemi kasetleri, bir sağlık uzmanı tarafından sterilize edilen diğer tıbbi cihazları düzenlemekte ve korumakta kullanılır. InstruSafe Sistemi kasetleri, içlerindeki tıbbi cihazların Ön Vakumlu buhar veya etilen oksit sterilizasyon döngüleri sırasında sterilize edilmesine izin verecek şekilde tasarlanmıştır. InstruSafe Sistemi kasetleri, merkezi satışı yasal olan bir sargı veya Genesis rijit kapla birlikte kullanılmaya yöneliktir. InstruSafe Sistemi kasetleri, sterilliği kendi kendilerine koruyacak şekilde tasarlanmamıştır.

Sterilizasyon yöntemleri ve konfigürasyonları

132°C Buharda 8 Dakika Ön Koşullama	
140 dikişli dokuma sargı	10 dakika kurutma süresi
Dokusuz sargı (Kimberly Clark)	50 dakika kurutma süresi
Genesis Kap (kullanılacak filtre kağıdı için Tablo 1'e başvurun)	30 dakika kurutma süresi

Etilen Oksit (EO)
<ul style="list-style-type: none">▪ %70 ±15 bağıl Nemle, 55°C (131°F) 1 saat ön koşullama▪ 55°C (131°F) 2 saat maruz kalma▪ 12 saat havalandırma

Genesis Kap	Genesis Kap Filtre Kağıdı
CD2-4B	FX3-1: 9x9"
CD2-5B	FX3-1: 9x9"
CD3-4B	FX3-1: 9x9"
CD3-5B	FX3-1: 9x9"
CD3-6B	FX3-1: 9x9"
CD3-7B	FX3-1: 9x9"
CD4-5B	FO3-2: 9x6"
CD5-61B	FO3-2: 9x6"
CD6-6B	FX3-1: 9x9"

Genesis Rijit Kap kullanırken, V. Mueller Genesis Sterilizatör Kabı sisteminin Kullanıcı Kılavuzuna bakın.

STERRAD® 100S ve STERRAD® 100NX® Standard Döngüleri, Sargı ve Aesculap® Rijit Kap

InstruSafe® Alet Koruma Sistemi kasetleri, bir sağlık uzmanı tarafından sterilize edilen diğer tıbbi cihazları düzenlemekte ve korumakta kullanılır. InstruSafe Alet Koruma Sistemi kasetleri, içlerindeki tıbbi cihazların Sterrad 100S Standard ve Sterrad 100NX Standard sterilizasyon döngüsü sırasında sterilize edilmesine izin verecek şekilde tasarlanmıştır. InstruSafe Alet Koruma Sistemi kasetleri, satışı yasal olan sargı veya Aesculap rijit kap ile birlikte kullanılmaya yöneliktir. InstruSafe Alet Koruma Sistemi kasetleri, sterilliği kendi kendilerine koruyacak şekilde tasarlanmamıştır. Cihaz modellerinin tam listesi Ek A'da verilmiştir.

Aşağıdaki sterilizasyon tepsileri, karşısındaki rijit kaplarla birlikte onaylanmıştır:

STERRAD 100S Standard Döngüsü	
Summit Kaset Modeli	Aesculap Kap Modeli
IN-8823-AE	*JM444
IN-6105	*JM440

STERRAD 100NX Standard Döngüsü	
Summit Kaset Modeli	Aesculap Kap Modeli
IN-8823-AE	*JM444
IN-6105	*JM440

*Summit Medical tarafından YALNIZCA STERRAD 100S Standard Döngüsü ve STERRAD 100NX Standard Döngüsünde kullanılmak üzere onaylanmıştır. İçeriğin, sterilizasyon kabının planlanan yük istemlerini aşmadığından emin olmak için kap talimatlarına başvurun.

STERRAD 100S Standard ve STERRAD 100NX Standard Döngüsü İçin Lümen İstemleri	
3 mm iç çap x 400 mm uzunlukla 4 paslanmaz çelik lümen	Tüm uygun boyutlu modeller, IN-2681 hariç Ek A'da listelenmiştir.
3 mm iç çap x 200 mm uzunlukla 2 paslanmaz çelik lümen	
3 mm iç çap x 200 mm uzunlukla 1 paslanmaz çelik lümen	
1 mm iç çap x 65 mm uzunlukla 1 paslanmaz çelik lümen	IN-2681

KULLANIM ENDİKASYONLARI (devamı)

STERRAD® NX® Standard Döngü, Sargı ve Aesculap® Rijit Kap

InstruSafe® Alet Koruma Sistemi kasetleri, bir sağlık uzmanı tarafından sterilize edilen diğer tıbbi cihazları düzenlemekte ve korumakta kullanılır. InstruSafe Alet Koruma Sistemi kasetleri, içlerindeki tıbbi cihazların bir Sterrad NX Standard Sterilizasyon Döngüsü sırasında sterilize edilmesine izin verecek şekilde tasarlanmıştır. InstruSafe Alet Koruma Sistemi kasetleri, satışı yasal olan bir sargı veya Aesculap rijit kap ile birlikte kullanılmaya yöneliktir. InstruSafe Alet Koruma Sistemi kasetleri, sterilliği kendi kendilerine koruyacak şekilde tasarlanmamıştır. Cihaz modellerinin tam listesi Ek A'da verilmiştir.

Sterilizasyon Yöntemleri ve konfigürasyonları
- Sterrad NX Standard Sterilizasyon Döngüsü

STERRAD NX Standard Sterilizasyon Döngüsü için Lümen İstemleri			
Summit Kaset Modeli	Minimum İç Çap	Maksimum Uzunluk	Lümen Sayısı
IN-2681	1 mm	65 mm	1
IN-2681	3 mm	200 mm	1
IN-8987-S	1 mm	500 mm	5
IN-8615	2,3 mm	210 mm	5
IN-6105	4 mm	235 mm	1

Not: Havalandırma/hacim hesabına dayanan en kötü durum onaylanmış yükü, IN-2681 tepsisidir.

STERRAD® 100NX® Express Döngü, Sargı

InstruSafe® Alet Koruma Sistemi kasetleri, bir sağlık uzmanı tarafından sterilize edilen diğer tıbbi cihazları düzenlemekte ve korumakta kullanılır. InstruSafe Alet Koruma Sistemi kasetleri, içlerindeki tıbbi cihazların bir Sterrad® 100NX Express Döngüsü sırasında sterilize edilmesine izin verecek şekilde tasarlanmıştır. InstruSafe Alet Koruma Sistemi kasetleri, satışı yasal olan bir sargıyla birlikte kullanılmaya yöneliktir. InstruSafe Alet Koruma Sistemi kasetleri, sterilliği kendi kendilerine koruyacak şekilde tasarlanmamıştır. InstruSafe Alet Koruma Sisteminin, Sterrad® 100NX Express Döngüsü için bir lümen istemi yoktur.

STERRAD® 100NX® Flex Sterilizasyon Döngüsü, Sargı ve Aesculap® Rijit Kap

InstruSafe® Alet Koruma Sistemi kasetleri, bir sağlık uzmanı tarafından sterilize edilen diğer tıbbi cihazları düzenlemekte ve korumakta kullanılır. InstruSafe Alet Koruma Sistemi kasetleri, içlerindeki tıbbi cihazların bir Sterrad 100NX Flex Sterilizasyon Döngüsü sırasında sterilize edilmesine izin verecek şekilde tasarlanmıştır. InstruSafe Alet Koruma Sistemi kasetleri, satışı yasal olan bir sargı veya Aesculap rijit kap ile birlikte kullanılmaya yöneliktir. InstruSafe Alet Koruma Sistemi kasetleri, sterilliği kendi kendilerine koruyacak şekilde tasarlanmamıştır. Cihaz modellerinin tam listesi Ek A'da verilmiştir.

STERRAD 100NX Flex Sterilizasyon Döngüsü	
Summit Kaset Modeli	Aesculap Kap Modeli
IN-0000	*JM440
IN-6105	*JM440

**Summit Medical tarafından YALNIZCA STERRAD 100NX Flex Sterilizasyon Döngüsünde kullanılmak üzere onaylanmıştır. İçeriğinin, sterilizasyon kabının planlanan yük istemlerini aşmadığından emin olmak için kap talimatlarına başvurun.*

STERRAD 100NX Flex Sterilizasyon Döngüsü için Lümen İstemleri				
Summit Kaset Modeli	Minimum İç Çap	Maksimum Uzunluk	Lümen Sayısı	Sargı/Rijit Kap
IN-0000	1 mm	850 mm	1	Sargı + Rijit Kap
IN-8823	1 mm	850 mm	1	Sargı + Rijit Kap
IN-7344	1 mm	850 mm	1	Sargı
IN-6105	4 mm	235 mm	1	Sargı + Rijit Kap

Havalandırma/hacim hesabına dayanan en kötü durum onaylanmış yükü, IN-0000 tepsisidir.

Not: IN-0000 tepsisi, yalnızca test amaçlıdır.

KULLANIM ENDİKASYONLARI (devamı)

AMSCO® V-PRO® Düşük Sıcaklıkta Sterilizasyon Döngüleri, Sargı ve Aesculap® Rijit Kap

InstruSafe® Alet Koruma Sistemi kasetleri, sağlık uzmanları tarafından sterilize edilen diğer tıbbi cihazları düzenlemekte ve korumakta kullanılır. InstruSafe Alet Koruma Sistemi kasetleri, içlerindeki tıbbi cihazların Amsco V- PRO Düşük Sıcaklıkta Sterilizasyon Döngüleri sırasında sterilize edilmesine olanak sağlayacak şekilde tasarlanmıştır. InstruSafe Alet Koruma Sistemi kasetleri, satışı yasal olan bir sargı veya Aesculap rijit kap ile birlikte kullanılmaya yöneliktir. InstruSafe Alet Koruma Sistemi kasetleri, sterilliği kendi kendilerine koruyacak şekilde tasarlanmıştır. Cihaz modellerinin tam listesi Ek A'da verilmiştir.

AMSCO V-PRO Düşük Sıcaklıkta Sterilizasyon Sistemleri			
Sterilizatör	Standard Döngü	Lümen Döngüsü	Lümensiz Döngü
V-PRO 1	X	YOK	YOK
V-PRO 1 PLUS	YOK	X	X
V-PRO maX	YOK	X	X
V-PRO maX 2	YOK	X	X
Summit Kaset Modeli		Aesculap Kap Modeli	
IN-8823		*JM444	
IN-6105		*JM742	

**Summit Medical tarafından YALNIZCA AMSCO V-PRO Düşük Sıcaklıkta Sterilizasyon Sistemlerinde kullanılmak üzere onaylanmıştır. Aesculap kabı steril bariyer olarak kullanırken, yük (Summit tepsi ve içindekiler), kap ağırlığının veya yük türünün yük istemlerini aşmamalıdır.*

Onaylanan alet lümen boyutlarından bazıları:			
Summit Kaset Modeli	Minimum İç Çap	Maksimum Uzunluk	Lümen Sayısı
IN-8823	3 mm	400 mm	2
IN-6105	3 mm	200 mm	1
IN-2681	1 mm	64 mm	1

Not: Havalandırma/hacim hesabına dayanan en kötü durum onaylanmış yükü, IN-2681 tepsisidir.

KULLANIM ENDİKASYONLARI (devamı)

VP4 Sterizone, Sargı ve Aesculap® Rijit Kap

InstruSafe® Alet Koruma Sistemi kasetleri (tepsileri), sağlık uzmanları tarafından sterilize edilen diğer tıbbi cihazları düzenlemekte ve korumakta kullanılır. InstruSafe Alet Koruma Sistemi kasetleri, içlerindeki tıbbi cihazların STERIZONE VP4 Sterilizasyon Döngüsü 1 sırasında sterilize edilmesine olanak sağlayacak şekilde tasarlanmıştır. InstruSafe Alet Koruma Sistemi kasetleri, satışı yasal olan bir sargı veya Aesculap rijit kap ile birlikte kullanılmaya yöneliktir. InstruSafe Alet Koruma Sistemi kasetleri, sterilliği kendi kendilerine koruyacak şekilde tasarlanmamıştır.

Summit Medical, InstruSafe Alet Koruma Sistemi kasetlerinin, STERIZONE VP4 sterilizatör Döngü 1'de kullanılmasını; genel aletler, lümenli rijit ve yarı rijit aletler ve esnek endoskoplar dahil tıbbi cihazların temsili örneklerini kullanarak sterilizasyon etkinliğinin sergilenmesi yoluyla doğrulamıştır. Doğrulama sürecinden gelen bilgiler, InstruSafe Alet Koruma Sistemi kasetlerinin tüm serisi boyunca uygulanmış olan tasarım sınırlarını belirlemekte kullanılmış ve böylece tüm modellerin, kaset havalandırması, dahili raflar ve ağırlık bakımlarından doğrulanmış sınırların içerisinde olmaları sağlanmıştır:

- Minimum havalandırma/hacim oranı, genel aletler: 0,073
- Minimum havalandırma/hacim oranı, esnek endoskoplar: 0,263
- Maksimum dahili raf sayısı: İki (2)
- Maksimum kaset ağırlığı (içindekiler dahil): 25 lbs/kaset

InstruSafe Alet Koruma Sistemi kasetleri kullanarak doğrulanmış yükler için aşağıdaki tabloya başvurun. Yükün sterilizatör için sınır istemlerini aşmadığından emin olmak için sterilizatör üreticisinin kullanma talimatlarına başvurun.

InstruSafe Alet Koruma Sistemi Yüklerinin tanımı.

STERIZONE® VP4 Sterilizatör Doğrulama Yük No. Temsili (K190260)	Summit Medical Doğrulama Yükü Tanımı	Toplam Yük Ağırlığı (25 lbs yükleme rafı hariç)
4	<p>Yük 4a: Rijit ve yarı rijit kanallı aletler için yük sınırından oluşmaktadır:</p> <ul style="list-style-type: none">• Üç (3) çift kanallı, yarı rijit endoskop (üretroskop - 0,7 mm x 500 mm ve 1,1 mm x 500 mm), üç (3) IN 7323-R kasetinde, kaset başına bir (1) tane olmak üzere ambalajlanmıştır.• Toplam 15 kanala ulaşmak için başka rijit kanallı aletler eklenmiştir. <p>Her bir kaset, uygun silikon alet tutucuları içermiştir ve sarılmıştır.</p> <p>Yük 4b: Rijit ve yarı rijit kanallı aletler için yük sınırından oluşmaktadır:</p> <ul style="list-style-type: none">• Üç (3) çift kanallı, yarı rijit endoskop (üretroskop - 0,7 mm x 400 mm ve 1,1 mm x 400 mm), üç (3) IN-0007-TF kasetinde, kaset başına bir (1) tane olmak üzere ambalajlanmıştır.• Toplam 15 kanala ulaşmak için başka rijit kanallı aletler eklenmiştir. <p>Her bir kaset, uygun silikon alet tutucuları içermiştir ve bir Aesculap JM440 rijit kaba yerleştirilmiştir.</p>	<p>Yük 4a = 5 lbs/kaset, 15 lbs toplam</p> <p>Yük 4b = 11 lbs/kaset, 33 lbs toplam</p>
7	<p>Summit Medical Doğrulama Yükü 7a: Aşağıdaki geometrileri temsil eden genel tıbbi aletler için yük ağırlığı sınırından oluşmaktadır:</p> <ul style="list-style-type: none">• Kilitli menteşe• Pivot menteşe• Luer-lock <p>Genel tıbbi aletler, uygun silikon tutucuları bulunan, her biri 25 lbs ağırlığındaki üç (3) IN-7323-R kasete dağıtılmıştır. Kasetler sarılmıştır.</p> <p>Summit Medical Doğrulama Yükü 7b: Aşağıdaki geometrileri temsil eden genel tıbbi aletler için yük ağırlığı sınırından oluşmaktadır:</p> <ul style="list-style-type: none">• Kilitli menteşe• Pivot menteşe• Luer-lock <p>Genel tıbbi aletler, uygun silikon tutucuları bulunan üç (3) IN-0006-TF kasete dağıtılmıştır. Kasetler, her biri 25 lbs ağırlığındaki Aesculap JM440 kaplara yerleştirilmiştir.</p>	<p>Yük 7a = 25 lbs/kaset 75 lbs toplam</p> <p>Yük 7b = 25 lbs/kaset 75 lbs toplam</p>
8	<p>Summit Medical Doğrulama Yükü 8a: Sarılmış kasetler içerisindeki beş (5) total esnek endoskop kanalının yük sınırından oluşmaktadır:</p> <ul style="list-style-type: none">• İki (2) çift kanallı, esnek endoskop (üretroskop - 1 mm x 850 mm ve 1 mm x 989 mm) IN-0003-R kasetlerinde, kaset başına bir (1) tane olmak üzere ambalajlanmıştır.• Bir (1) tek kanallı, esnek endoskop (üretroskop - ve 1 mm x 850 mm) bir IN-0004-R kasetinde ambalajlanmıştır. <p>Kasetler, uygun silikon tutucuları içermekte olup sarılmıştır.</p> <p>Summit Medical Doğrulama Yükü 8b: Rijit kaplar içinde ambalajlanmış kasetler içerisindeki dört (4) total esnek endoskop kanalının yük sınırından oluşmaktadır:</p> <ul style="list-style-type: none">• İki (2) çift kanallı, esnek endoskop (üretroskop - 1 mm x 850 mm ve 1 mm x 989 mm) IN-0003-TF kasetlerinde uygun silikon tutucularla birlikte, kaset başına bir (1) tane olmak üzere ambalajlanmıştır. <p>Her bir kaset, bir Aesculap JM442 kaba yerleştirilmiştir.</p>	<p>Yük 8a = 4,3 lbs/kaset, 13 lbs toplam</p> <p>Yük 8b = 8,3 lbs/kaset, 25 lbs toplam</p>

SAKLAMA

Sarılmış veya kaplara konmuş olan terminal olarak steril kasetleri, depolama rafına yatay pozisyonda yerleştirin. Raf ömrü bilgileri için sargı veya kap üreticisine danışın.

BERTARAF

InstruSafe® Alet Koruma Sisteminin kullanım öncesindeki incelemeyi geçememesi halinde veya artık amaca uygun olmadığı düşünülmesi halinde, cihazlar yerel protokole göre bertaraf edilmelidir. Bertaraf yöntemi, bertaraf ihtiyacı belirlendiği sıradaki potansiyel çapraz kontaminasyon ve enfeksiyon risklerine bağlı olacaktır.

CİDDİ OLAY RAPORLAMA

Cihazla ilişkili olarak ortaya çıkmış herhangi bir ciddi olay, üreticiye ve FDA'ya/kullanıcının ve/veya hastanın bulunduğu Üye Devletin yetkili makamına bildirilmelidir.

GARANTİ

SUMMIT MEDICAL INSTRUSAFE ALET KORUMA SİSTEMİ İÇİN SINIRLI GARANTİ.

İŞBU SINIRLI GARANTİ VE BURADA SAĞLANAN ÇÖZÜM YOLU, MÜNHASİR OLUP DİĞER TÜM AÇIK GARANTİLERİN YERİNE GEÇER VE BURADA AKSİ BELİRTİLMEDİKÇE, DİĞER KİMSE VEYA FİRMALARIN HER TÜR BEYAN VEYA TAAHHÜDÜ GEÇERSİZDİR. TİCARETE ELVERİŞLİLİĞE VEYA BELİRLİ BİR AMACA UYGUNLUĞA İLİŞKİN ZİMNİ GARANTİLERİN SÜRESİ, AÇIK SINIRLI GARANTİNİN SÜRESİ KADAR OLACAKTIR. NE SUMMIT MEDICAL NE DE YAN KURULUŞLARI, INSTRUSAFE SİSTEMİNİN KULLANILMASINDAN VEYA KULLANILAMAMASINDAN KAYNAKLANAN, İSTER GARANTİ İHLALİ SONUCU İSTERSE BAŞKA BİR YASAL İDDİA İLE OLSUN, UĞRANILAN HİÇBİR ARIZİ, SONUÇ OLARAK ORTAYA ÇIKAN VEYA ÖZEL KAYIPTAN VEYA ZARARDAN SORUMLU OLACAKTIR.

İşbu Sınırlı Garanti size belirli yasal haklar vermektedir ve Eyaletten Eyalete değişebilen başka haklarınız da bulunabilir. Bazı Eyaletler, bir zımnî garantinin ne kadar süreceğine ilişkin sınırlama konulmasına veya arızı veya sonuç olarak ortaya çıkan zararların hariç tutulmasına veya sınırlandırılmasına izin vermemektedirler; bu nedenle, yukarıdaki sınırlandırma veya hariç tutmalar sizin için geçerli olmayabilir.

Kapsanan Hususlar. Summit Medical, işbu Sınırlı Garantinin iştirildiği InstruSafe sisteminin, üreticinin spesifikasyonlarına uygun olduğunu ve işçilik ve malzeme kusurları içermediğini, satın alan ilk kişiye ilk satın alma tarihinden itibaren 12 ay boyunca garanti eder. Satın alan ilk kişi, InstruSafe Sistemini başka bir tarafa aktarırsa, işbu Sınırlı Garanti, ürünün aktarıldığı taraf için geçerli olmayacaktır.

Sorunları Düzeltmek İçin Yapacaklarımız. InstruSafe Sisteminiz bu dönem sırasında kusurlu çıkarsa, Summit Medical'e veya Summit Medical'in yetkili bir distribütörüne veya bayisine bildirimde bulunmalısınız. Summit Medical'in veya temsilcilerinin, Summit Medical'in uygun gördüğü araştırmayı, incelemeyi ve testleri yapmasına izin vermelisiniz ve istenmesi halinde ürünü, aşağıda belirtilen adresteki fabrikaya iade etmelisiniz. Summit Medical'in işbu Sınırlı Garanti kapsamındaki yegane sorumluluğu, kendi tercihine bağlı olarak, kusurlu ürünü veya ürünleri parça veya işçilik ücreti almadan onarmak veya değiştirmektir. InstruSafe Sistemi ürününüz için garanti servisine başvururken karşılanması gereken posta, sigorta veya sevkiyat bedelleri sizin kendi sorumluluğunuzdadır.

Kapsam Dışı Hususlar. İşbu Sınırlı Garanti, ürünün düzgün kullanılmasına ve bakımının düzgün yapılmasına bağlıdır; uygunsuz sevk edilmiş veya yanlış kullanılmış, kötüye kullanılmış, ihmal edilmiş ya da bakımı, temizliği veya depolanması düzgün yapılmamış veya Summit Medical veya Summit Medical'in yetkili distribütör veya bayileri dışında servis görmüş veya Summit Medical'in açık onayı olmadan modifiye edilmiş ürünleri kapsamaz. Kullanıcı kılavuzundaki talimatların izlenmemesi, ürünün uygunsuz kullanımı veya uygunsuz bakımı olarak kabul edilebilir ve bu durumda işbu Sınırlı Garanti geçersiz olur. İşbu Garanti, normal yıpranmayı veya yedek parçaları kapsamaz.

İşbu garantiyle ilgili sorularınız veya iddialarınız olursa lütfen arayın:

Müşteri Hizmetleri Departmanı

Summit Medical

815 Vikings Parkway, Suite 100

St. Paul, MN 55121 | ABD

www.instrusafe.com

TELEFON: 651-789-3939 | 888-229-2875

FAKS: 651-789-3979 | 888-229-1941

E-POSTA: customerservice@innoviamedical.com

Приведенная в настоящем документе инструкция валидирована производителем устройства как подходящая для обработки медицинских устройств многократного использования.

Конкретные стерилизаторы, чистота инструментов, удельная нагрузка на лотки для инструментов, типы и геометрия инструментов, стерилизационных контейнеров, фильтров и упаковочного материала варьируются в зависимости от места эксплуатации.

ПРОЧТИТЕ ЭТОТ РАЗДЕЛ ПЕРЕД ВВОДОМ ПРОДУКТА В ЭКСПЛУАТАЦИЮ

КРАТКО О ЦЕЛЕВОМ НАЗНАЧЕНИИ / ПОКАЗАНИЯХ ДЛЯ ИСПОЛЬЗОВАНИЯ

Кассеты/лотки системы защиты инструментов InstruSafe® предназначены для хранения и защиты медицинских устройств многократного использования во время транспортировки, стерилизации и хранения. Кассеты/лотки системы защиты инструментов InstruSafe® используются для организованного хранения и защиты других медицинских устройств, стерилизацию которых осуществляет поставщик медицинских услуг. Кассеты/лотки системы защиты инструментов InstruSafe® предназначены для стерилизации корпусных медицинских устройств в рамках следующих стерилизационных циклов:

- Форвакуумная обработка паром (Стандарты ISO 17665-1 и EN 285)
- Стерилизации этиленоксидом (ISO 11135)
- Валидированный метод низкотемпературной стерилизации (Стандарт ISO 14937), т. е.
 - STERRAD® 100S Standard (короткий)
 - STERIS® AMSCO® V-PRO 1®, V-PRO 1 Plus, V-PRO maX и V-PRO maX 2
 - STERRAD® 100NX® Express, Standard и Flex
 - Sterizone® VP4
 - STERRAD® NX® Standard

Кассеты/лотки системы защиты инструментов InstruSafe® сами по себе не предназначены для поддержания стерильности. Кассеты/лотки системы защиты инструментов InstruSafe® предназначены для использования совместно с коммерчески доступными на законных основаниях упаковочными материалами, жесткими контейнерами Aescular® или жесткими контейнерами Genesis™.

Стерилизационные контейнеры InstruSafe® валидированы для использования с кассетами/лотками системы защиты инструментов InstruSafe® (форвакуум, 270 °F (132 °C), только 4-минутный цикл паровой стерилизации) в соответствии с 510(k) K180528. Дополнительную информацию см. в инструкции по применению стерилизационного контейнера InstruSafe®.

Полный перечень моделей устройств приводится в Приложении А, которое можно просмотреть на сайте www.instrusafe.com/ifus.

ОПИСАНИЕ УСТРОЙСТВА

Системы защиты инструментов InstruSafe® производства Summit Medical представляют собой кассеты/лотки, предназначенные для размещения и организованного хранения хирургических инструментов и аксессуаров в процессе стерилизации, а также последующего хранения и транспортировки таких инструментов и аксессуаров. Кассеты/лотки не контактируют с пациентом непосредственно. Кассеты/лотки сами по себе не поддерживают стерильность. Кассеты/лотки имеют различный размер при единой базовой конфигурации: прямоугольном основании с защелкивающейся крышкой. Кассеты/лотки имеют перфорацию для проникновения стерилизатора. Кассеты/лотки содержат силиконовые вставки в основании и/или крышке для удержания, организованного размещения и защиты хирургических инструментов внутри кассеты/лотка в процессе стерилизации, а также при последующем хранении и транспортировке.

ЦЕЛЕВОЙ ПОЛЬЗОВАТЕЛЬ

Системы защиты инструментов InstruSafe® предназначены для использования медицинскими работниками в операционной и отделении стерильной обработки для транспортировки, стерилизации и хранения медицинских устройств.

ЭКСПЛУАТАЦИОННЫЕ ОГРАНИЧЕНИЯ

1. Полезный срок службы системы защиты инструментов InstruSafe® составляет минимум 25 стерилизационных циклов. Перед эксплуатацией необходимо осмотреть лоток на предмет повреждений и следов износа. При наличии явных признаков износа, таких как коррозия, механические повреждения, трещины, отслаивания, шелушения, поврежденные швы, поврежденные ножки, поврежденные защелки, поврежденные слоты Hold-Its®/Hold-Downs, обесцвечивание и т. д., эксплуатацию следует прекратить.
2. Стерилизационные методы и конфигурации см. в **таблице 2**.
3. **НЕ ПЕРЕГРУЖАЙТЕ** системы или компоненты InstruSafe®.
4. **НЕ ПЕРЕГРУЖАЙТЕ** отдельные слоты Hold-Its. Загружайте по одному инструменту в каждый слот Hold-Its.
5. При использовании жестких контейнеров **НЕ ЗАВОРАЧИВАЙТЕ** системы или компоненты InstruSafe® в упаковочный материал и не помещайте их в контейнер для стерилизации.
6. Внутри стерилизаторов **НЕ ШТАБЕЛИРУЙТЕ** индивидуально упакованные или помещенные в контейнеры системы или компоненты InstruSafe®. Отделите упакованные или помещенные в контейнеры системы или компоненты InstruSafe® друг от друга или от любых иных объектов и разместите их на отдельных полках стерилизатора для обеспечения максимального расхода стерилизатора.
7. При использовании негигроскопических подкладок лотка (например, силиконового пальцевого коврика-органайзера) возможно образование конденсата. При наличии видимой влаги повторите стерилизацию с увеличенным временем сушки.
8. Общий вес контейнерной системы (например, контейнера, лотка и инструментов) не должен превышать 25 фунтов (11,34 кг).
9. Подготовка и стерилизация инструментов (например, эндоскопов и инструментов с просветами или каналами) осуществляются в соответствии с инструкциями производителя инструментов.
10. Ответственность за проведение специальных проверок процесса конечной стерилизации, применяемой к конфигурации инструментов и контейнеров, представленных в процессе стерилизации, является обязанностью обработчика.
11. Для получения информации о дополнительных ограничениях (например, ограничения на размер или вес) ознакомьтесь с инструкцией по эксплуатации производителя стерилизатора.

ПРЕДУПРЕЖДЕНИЯ

- Для алюминиевых систем InstruSafe используйте только моющие средства с нейтральным pH (6,0–8,5) во избежание повреждения финишного покрытия. Моющее средство с сильнокислотным или сильнощелочным pH может нанести непоправимый урон финишному покрытию из анодированного алюминия кассеты и металлических компонентов.
- Не использовать, если упаковка повреждена или случайно вскрыта до применения.

Примечание: Перед вводом в эксплуатацию очистите и осмотрите кассеты в соответствии с инструкциями.

ОБЩИЕ МЕРЫ ПРЕДОСТОРОЖНОСТИ

- Персонал должен использовать все индивидуальные средства защиты, предписанные рабочими процедурами конкретного работодателя/отдела согласно уровню загрязнения, которому персонал может подвергнуться.
- Разнородные материалы следует отделить друг от друга в процессе стерилизации во избежание коррозии.

ИСПОЛЬЗОВАНИЕ

Удалите крупные загрязнения с помощью одноразовой тканевой/бумажной салфетки. Загрязненные компоненты должны оставаться влажными до тех пор, пока не будут применены утвержденные методы очистки.

ОЧИСТКА

Для очистки инструментов в кассетах см. инструкции по эксплуатации производителя инструментов.

Используйте один из следующих одобренных способов очистки кассеты/лотка.

Во избежание повреждения финишного покрытия алюминиевых кассет используйте только растворы с нейтральным pH (6,0–8,5), не содержащие углекислый натрий.

НЕ ИСПОЛЬЗУЙТЕ металлические губки или абразивные очистители. **НЕ ХРАНИТЕ** кассеты в жидкости.

1. Полная ручная очистка:

- А. Необходимые материалы: Ферментное моющее средство с нейтральным pH (6,0 – 8,5), мягкая щетка и проточная вода.
- В. Удалите все видимые загрязнения мягкой щеткой. В процессе очистки необходимо полностью погрузить кассету в раствор, чтобы облегчить удаление загрязнений и минимизировать разбрызгивание моющего средства на персонал, минимум на две минуты.
- С. Тщательно промойте чистой водой в течение минимум 1 минуты, чтобы полностью удалить моющее средство. Инструкции по промыванию см. на этикетке моющего средства.

2. Ультразвуковая очистка:

- А. Подготовьте ферментный раствор в устройстве ультразвуковой очистки.
- В. Поместите одну кассету в моющее средство и запустите устройство минимум на десять минут.
- С. Промывайте холодной водопроводной водой минимум 2 минуты.
- Д. Визуально проверьте кассету на наличие загрязнений. При необходимости повторите цикл для удаления видимых загрязнений.

3. Автоматический промывочный аппарат:

Системы защиты инструментов InstruSafe утверждены в отношении циклов автоматической промывки, перечисленных в **таблице 1**. Оценка конкретных параметров должна проводиться обработчиком.

Таблица 1

ЦИКЛ	ТЕМПЕРАТУРА ВОДЫ	ПРОЦЕСС ОЧИСТКИ
Предварительная промывка 1 и 2	Холодная водопроводная вода	Время рециркуляции: 2 мин.
Ферментная промывка	Горячая водопроводная вода	Время выдержки: 4 мин.
Промывка 1	Нагрев до 150 °F (65,5 °C)	Время рециркуляции: 15 мин.
Ополаскивание 1 и 2	Горячая водопроводная вода	Время рециркуляции: 5 мин.

Примечание: По завершении цикла автоматической промывки осмотрите систему InstruSafe (кассету и аксессуары) на наличие оставшихся видимых загрязнений. Перед отправкой на стерилизацию все видимые загрязнения необходимо удалить методом ручной очистки, очистки щеткой, ультразвуковой очистки или дополнительной автоматической очистки.

ДЕЗИНФЕКЦИЯ

Системы InstruSafe подлежат финишной стерилизации.

ОБСЛУЖИВАНИЕ, ПРОВЕРКА И ИСПЫТАНИЯ

Повторное применение систем InstruSafe допускается до появления неприемлемых дефектов, таких как коррозия, растрескивание, ржавчина, отслаивание, шелушение, обесцвечивание или механические повреждения.

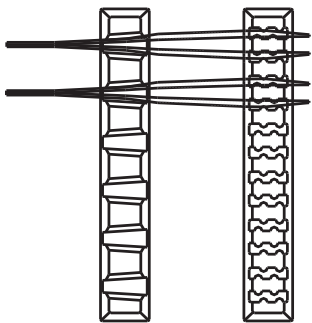
Признаки механических повреждений:

- Поврежденные или треснувшие углы или сварные швы
- Поврежденные или неработающие защелки
- Отсутствующие, порванные или порезанные силиконовые вставки
- Отсутствующие или поврежденные ножки

СБОРКА

1. Поместите инструменты в соответствующие держатели или область, заданную определяющими местоположение стойками, так чтобы все поверхности инструментов были открыты для воздействия стерилизатора. См. **Рис. А**. Убедитесь, что в каждом слоте находится только один инструмент. По возможности разберите или откройте все части инструментов согласно инструкциям производителя инструментов. **НЕ ПЕРЕГРУЖАЙТЕ** держатели или не превышайте весовые ограничения кассет. См. Приложение А.

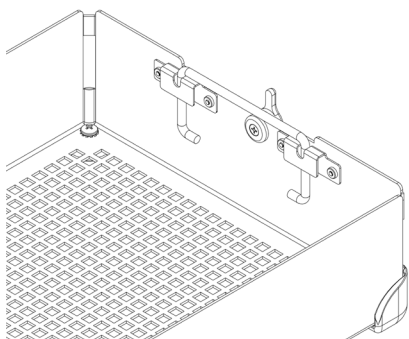
Рис. А.



Примечание: Подготовка и стерилизация инструментов (например, эндоскопов и инструментов с просветами или каналами) осуществляются в соответствии с инструкциями по эксплуатации производителя инструментов.

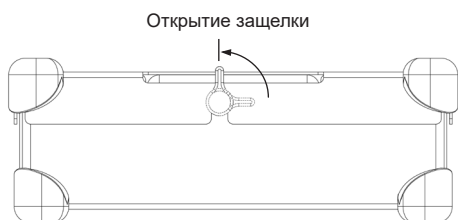
2. Убедитесь, что ручки располагаются внутри кассеты (в заглубленном положении). См. **Рис. В**.

Рис. В.



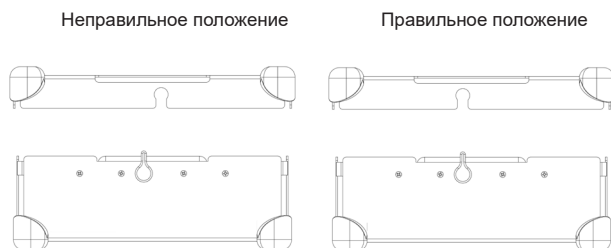
3. Поместите крышку кассеты на основание кассеты, убедившись, что защелки располагаются правильно относительно паза на крышке кассеты, а затем закройте защелки. См. **Рис. С**.

Рис. С.



*Примечание: Защелки отрегулированы таким образом, чтобы крышка кассеты всегда правильно совмещалась с основанием. Это обеспечивает правильное положение держателей при фиксации крышки. Регулировку защелок см. на Рис. D. **НЕ ПРИМЕНЯЙТЕ СИЛУ** при помещении крышки кассеты на основание кассеты, поскольку это может привести к повреждению инструментов и кассеты.*

Рис. D.



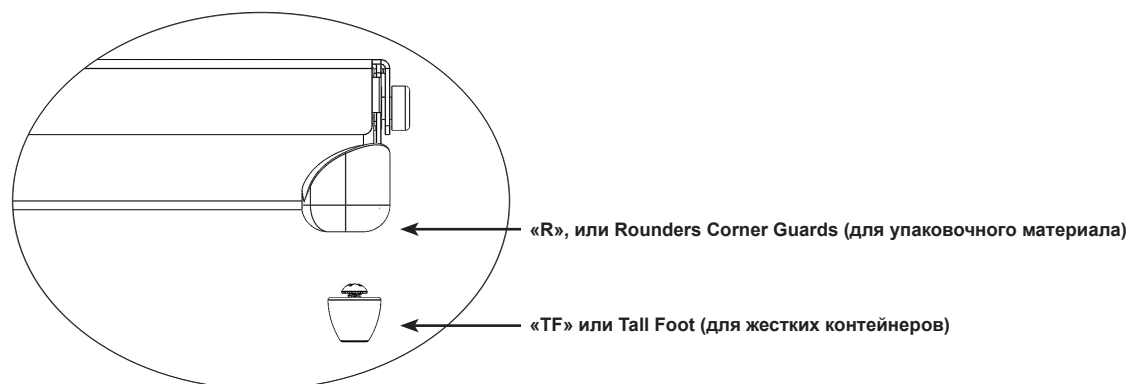
УПАКОВКА

Системы InstruSafe могут помещаться в коммерчески доступные на законных основаниях упаковочные материалы или коммерчески доступные на законных основаниях жесткие контейнеры. См. «Показания для использования» в инструкции по эксплуатации.

Использование с упаковочным материалом:

1. Перед упаковкой кассеты проверьте конфигурацию ножек. С упаковочным материалом необходимо использовать конфигурацию «R». См. **Рис. F**.

Рис. F.



2. Упакуйте кассету в официально продаваемый упаковочный материал в соответствии с инструкцией производителя упаковочного материала.
3. Выполните стерилизацию упаковки с использованием одного из стерилизационных циклов, указанных в инструкции по эксплуатации.

Использование с жестким контейнером:

См. «Показания для использования» в инструкции по эксплуатации.

1. Перед помещением кассеты в жесткий контейнер проверьте конфигурацию ножек. С жестким контейнером следует использовать «TF». См. **Рис. F**.

2. Поместите кассету в жесткий контейнер. Для герметизации контейнера следуйте инструкции производителя контейнера.

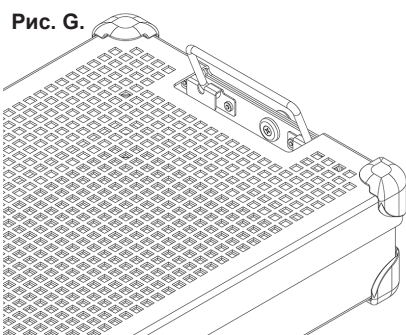
Примечание: Не упаковывайте кассеты перед помещением их в контейнер для стерилизации.

3. Выполните стерилизацию контейнера и его содержимого с использованием одного из стерилизационных циклов, указанных в инструкции по эксплуатации.

Дополнительная информация:

Для асептического удаления кассеты из жесткого контейнера следуйте инструкции по эксплуатации производителя контейнера.

1. Наденьте перчатки, поместите ладони на наружную поверхность и просуньте пальцы в отверстия в крышке кассеты.
2. Возьмитесь за ручки кассеты и вытяните их в поднятое положение. См. **Рис. G**.



3. Поверните ручки внутрь, от боковых сторон жесткого контейнера, и вытащите кассету из контейнера, соблюдая осторожность, чтобы не прикасаться к верхней или наружной части контейнера.
4. Поместите кассету на стерильную поверхность.

СТЕРИЛИЗАЦИЯ

Параметры, одобренные для стерилизации систем InstruSafe, см. в **таблице 2**.

Таблица 2.

МЕТОД СТЕРИЛИЗАЦИИ	ЦИКЛ (продолжительность)
Форвакуумная обработка паром	Параметр: Температура 270 °F (132 °C) Время воздействия 4 минуты Время сушки 30 минут
Этиленоксид (ЭО)	Предварительная обработка: Температура 131 °F (55 °C) Относительная влажность 70 ± 15 % Время предварительной обработки 1 час Стерилизация: Время воздействия 120 минут Температура 131 °F (55 °C) Время аэрации 12 часов
STERRAD 100S	Standard
STERRAD 100NX	Standard, Express, Flex
STERRAD NX	Standard
STERIS AMSCO V-PRO 1	Standard
STERIS AMSCO V-PRO 1 PLUS	Инструменты с просветами, инструменты без просветов
STERIS AMSCO V-PRO maX	Инструменты с просветами, инструменты без просветов
STERIS AMSCO V-PRO maX 2	Инструменты с просветами, инструменты без просветов
Sterizone VP4	Цикл № 1

Компания Summit Medical утвердила следующие методы стерилизации:

- Цикл стерилизации в автоклаве в течение четырех минут в официально продаваемом упаковочном материале, стерилизационном контейнере InstruSafe, жестком контейнере Aescular или жестком контейнере Genesis согласно требованиям FDA. В соответствии с K180528 стерилизационный контейнер InstruSafe валидирован для использования с кассетами/лотками системы защиты инструментов InstruSafe.
- Цикл стерилизации этиленоксидом (ЭО) в официально продаваемом упаковочном материале или стерильном контейнере Genesis согласно требованиям FDA.
- Цикл стерилизации STERRAD 100S Standard в официально продаваемом упаковочном материале или жестком контейнере Aescular согласно требованиям FDA.
- Цикл стерилизации STERRAD 100NX Standard в официально продаваемом упаковочном материале или жестком контейнере Aescular согласно требованиям FDA.
- Цикл стерилизации STERRAD 100NX Express в коммерчески доступном на законных основаниях упаковочном материале, согласованном с FDA.
- Цикл стерилизации STERRAD 100NX Flex в официально продаваемом упаковочном материале или жестком контейнере Aescular согласно требованиям FDA.
- Цикл стерилизации STERRAD NX Standard в официально продаваемом упаковочном материале или жестком контейнере Aescular согласно требованиям FDA.
- Циклы стерилизации STERIS AMSCO V-PRO 1, V-PRO 1 PLUS, V-PRO maX и V-PRO maX 2 в официально продаваемом упаковочном материале или жестком контейнере Aescular согласно требованиям FDA.
- Цикл стерилизации Sterizone VP4 в официально продаваемом упаковочном материале или жестком контейнере Aescular согласно требованиям FDA.

НЕ ПРЕВЫШАЙТЕ загрузочную мощность стерильного контейнера, указанную производителем.

Для поддержания стерильности используйте утвержденные FDA аксессуары.

Обратитесь к руководству по эксплуатации стерилизатора, чтобы убедиться в совместимости целевых нагрузок с целевым циклом стерилизации.

Обратитесь к инструкциям по эксплуатации контейнера, чтобы убедиться в совместимости целевой нагрузки с нагрузками, утвержденными FDA для данного контейнера.

ПОКАЗАНИЯ ДЛЯ ИСПОЛЬЗОВАНИЯ

Обработка паром в течение четырех минут, упаковочный материал и жесткий контейнер Aescular®

Кассеты системы защиты инструментов InstruSafe® используются для организованного хранения и защиты других медицинских устройств, стерилизацию которых осуществляет поставщик медицинских услуг. Кассеты системы защиты инструментов InstruSafe предназначены для стерилизации корпусных медицинских устройств в рамках цикла стерилизации с форвакуумной обработкой паром. Кассеты системы защиты инструментов InstruSafe предназначены для использования совместно с официально продаваемыми упаковочными материалами или жесткими контейнерами Aescular. Кассеты системы защиты инструментов InstruSafe сами по себе не предназначены для поддержания стерильности.

Параметры стерилизации в автоклаве	
Цикл	Форвакуум
Температура	270 °F (132 °C)
Время воздействия	4 мин.
Минимальное время сушки	30 мин.
Модель кассеты Summit	Модель контейнера Aescular
IN-8823-AE	*JN444
IN-2880	*JK444
IN-6105	*JN742
*Утверждено Summit Medical для использования в стерилизаторах с форвакуумной обработкой паром ТОЛЬКО при температуре 270 °F (132 °C) с временем воздействия, равным 4 минутам. Обратитесь к инструкциям по эксплуатации контейнера, чтобы убедиться, что содержимое не превышает требований к целевой нагрузке контейнера для стерилизации.	

Требования для цикла стерилизации приборов с просветами, с форвакуумной обработкой паром, в течение 4 минут			
Модель кассеты Summit	Минимальный внутренний диаметр	Максимальная длина	Число просветов
IN-8823-CF	3 мм	400 мм	4
IN-8823-CF	3 мм	200 мм	2
IN-2880	1 мм	76 мм	2
IN-2880	3 мм	177 мм	1
IN-6105	5 мм	241 мм	1
IN-2681	1 мм	65 мм	1
IN-2681	3 мм	200 мм	1
IN-7823	1 мм	400 мм	17

Обработка паром в течение четырех минут, жесткий контейнер Genesis™

Кассеты системы защиты инструментов InstruSafe® используются для организованного хранения и защиты других медицинских устройств, стерилизацию которых осуществляет поставщик медицинских услуг. Кассеты системы защиты инструментов InstruSafe предназначены для стерилизации корпусных медицинских устройств в рамках цикла стерилизации с форвакуумной обработкой паром. Кассеты системы защиты инструментов InstruSafe предназначены для использования совместно с официально продаваемыми жесткими контейнерами Genesis. Кассеты системы защиты инструментов InstruSafe сами по себе не предназначены для поддержания стерильности. Полный перечень моделей устройств приводится в Приложении А.

Требования для цикла стерилизации приборов с просветами, с форвакуумной обработкой паром, в течение 4 минут			
Модель кассеты Summit	Минимальный внутренний диаметр	Максимальная длина	Число просветов
IN-2681	1 мм	65 мм	1
IN-2681	3 мм	200 мм	1
IN-6105	5 мм	241 мм	1
IN-0000	1 мм	400 мм	5
	3 мм	400 мм	1
	5 мм	400 мм	1

ПОКАЗАНИЯ ДЛЯ ИСПОЛЬЗОВАНИЯ (продолжение)

Обработка паром и этиленоксидом (ЭО) в течение 8 минут, упаковочный материал и жесткие контейнеры Genesis™

Кассеты системы защиты инструментов InstruSafe® используются для организованного хранения и защиты других медицинских устройств, стерилизацию которых осуществляет поставщик медицинских услуг. Кассеты системы InstruSafe предназначены для стерилизации корпусных медицинских устройств в рамках циклов стерилизации с форвакуумной обработкой паром или этиленоксидом. Кассеты системы InstruSafe предназначены для использования совместно с официально продаваемыми упаковочными материалами или жесткими контейнерами Genesis. Кассеты системы InstruSafe сами по себе не предназначены для поддержания стерильности.

Методы стерилизации и конфигурации

Предварительная обработка паром в течение 8 минут при 132 °C	
Тканый упаковочный материал, 140 витков	Время сушки 10 минут
Нетканый упаковочный материал (Kimberly Clark)	Время сушки 50 минут
Контейнер Genesis (фильтровальную бумагу см. в таблице 1)	Время сушки 30 минут

Этиленоксид (ЭО)
<ul style="list-style-type: none"> ▪ Предварительная обработка в течение 1 часа при 131 °F (55 °C) и относительной влажности 70 ± 15 % ▪ Воздействие в течение 2 часов при 131 °F (55 °C) ▪ Аэрация в течение 12 часов

Контейнер Genesis	Фильтровальная бумага для контейнера Genesis
CD2-4B	FX3-1: 9x9"
CD2-5B	FX3-1: 9x9"
CD3-4B	FX3-1: 9x9"
CD3-5B	FX3-1: 9x9"
CD3-6B	FX3-1: 9x9"
CD3-7B	FX3-1: 9x9"
CD4-5B	FO3-2: 9x6"
CD5-61B	FO3-2: 9x6"
CD6-6B	FX3-1: 9x9"

При использовании жестких контейнеров Genesis см. руководство по эксплуатации контейнерной стерилизационной системы Genesis марки V. Mueller.

Циклы STERRAD® 100S и STERRAD® 100NX® Standard, упаковочный материал и жесткие контейнеры Aesculap®

Кассеты системы защиты инструментов InstruSafe® используются для организованного хранения и защиты других медицинских устройств, стерилизацию которых осуществляет поставщик медицинских услуг. Кассеты системы защиты инструментов InstruSafe предназначены для стерилизации корпусных медицинских устройств в рамках циклов стерилизации Sterrad 100S Standard и Sterrad 100NX Standard. Кассеты системы защиты инструментов InstruSafe предназначены для использования совместно с официально продаваемыми упаковочными материалами или жесткими контейнерами Aesculap. Кассеты системы защиты инструментов InstruSafe сами по себе не предназначены для поддержания стерильности. Полный перечень моделей устройств приводится в Приложении А.

Следующие стерилизационные лотки утверждены с соответствующими жесткими контейнерами:

Цикл STERRAD 100S Standard	
Модель кассеты Summit	Модель контейнера Aesculap
IN-8823-AE	*JM444
IN-6105	*JM440

Цикл STERRAD 100NX Standard	
Модель кассеты Summit	Модель контейнера Aesculap
IN-8823-AE	*JM444
IN-6105	*JM440

*Валидировано компанией Summit Medical для использования ТОЛЬКО в циклах STERRAD 100S Standard и STERRAD 100NX Standard. Обратитесь к инструкциям по эксплуатации контейнера, чтобы убедиться, что содержимое не превышает требований к целевой нагрузке контейнера для стерилизации.

Требования к инструментам с просветами для циклов STERRAD 100S Standard и STERRAD 100NX Standard	
4 просвета из нержавеющей стали с внутренним диаметром 3 мм x длиной 400 мм	Все подходящие по размерам модели перечислены в Приложении А, кроме IN-2681.
2 просвета из нержавеющей стали с внутренним диаметром 3 мм x длиной 200 мм	
1 просвет из нержавеющей стали с внутренним диаметром 3 мм x длиной 200 мм	IN-2681
1 просвет из нержавеющей стали с внутренним диаметром 1 мм x длиной 65 мм	

ПОКАЗАНИЯ ДЛЯ ИСПОЛЬЗОВАНИЯ (продолжение)

Цикл STERRAD® NX® Standard, упаковочный материал и жесткие контейнеры Aesculap®

Кассеты системы защиты инструментов InstruSafe® используются для организованного хранения и защиты других медицинских устройств, стерилизацию которых осуществляет поставщик медицинских услуг. Кассеты системы защиты инструментов InstruSafe предназначены для стерилизации корпусных медицинских приборов в рамках цикла стерилизации Sterrad NX Standard. Кассеты системы защиты инструментов InstruSafe предназначены для использования совместно с официально продаваемыми упаковочными материалами или жесткими контейнерами Aesculap. Кассеты системы защиты инструментов InstruSafe сами по себе не предназначены для поддержания стерильности. Полный перечень моделей устройств приводится в Приложении А.

Методы стерилизации и конфигурации

— Цикл стерилизации Sterrad NX Standard

Требования к инструментам с просветами для цикла стерилизации STERRAD NX Standard			
Модель кассеты Summit	Минимальный внутренний диаметр	Максимальная длина	Число просветов
IN-2681	1 мм	65 мм	1
IN-2681	3 мм	200 мм	1
IN-8987-S	1 мм	500 мм	5
IN-8615	2,3 мм	210 мм	5
IN-6105	4 мм	235 мм	1

Примечание: Утвержденная на основании расчетов соотношения выпуска к объему нагрузка для наиболее неблагоприятного варианта — лоток IN-2681.

Цикл STERRAD® 100NX® Express, упаковочный материал

Кассеты системы защиты инструментов InstruSafe® используются для организованного хранения и защиты других медицинских устройств, стерилизацию которых осуществляет поставщик медицинских услуг. Кассеты системы защиты инструментов InstruSafe предназначены для стерилизации корпусных медицинских устройств в рамках цикла стерилизации Sterrad® 100NX Express. Кассеты системы защиты инструментов InstruSafe предназначены для использования совместно с официально продаваемым упаковочным материалом. Кассеты системы защиты инструментов InstruSafe сами по себе не предназначены для поддержания стерильности. Требования системы защиты инструментов InstruSafe к инструментам с просветами для цикла Sterrad 100NX Express отсутствуют.

Цикл стерилизации STERRAD® 100NX® Flex, упаковочный материал и жесткие контейнеры Aesculap®

Кассеты системы защиты инструментов InstruSafe® используются для организованного хранения и защиты других медицинских устройств, стерилизацию которых осуществляет поставщик медицинских услуг. Кассеты системы защиты инструментов InstruSafe предназначены для стерилизации корпусных медицинских устройств в рамках цикла стерилизации Sterrad 100NX Flex. Кассеты системы защиты инструментов InstruSafe предназначены для использования совместно с официально продаваемыми упаковочными материалами или жесткими контейнерами Aesculap. Кассеты системы защиты инструментов InstruSafe сами по себе не предназначены для поддержания стерильности. Полный перечень моделей устройств приводится в Приложении А.

Цикл стерилизации STERRAD 100NX Flex	
Модель кассеты Summit	Модель контейнера Aesculap
IN-0000	*JM440
IN-6105	*JM440

**Утверждено Summit Medical для использования ТОЛЬКО в цикле STERRAD 100NX Flex. Обратитесь к инструкциям по эксплуатации контейнера, чтобы убедиться, что содержимое не превышает требований к целевой нагрузке контейнера для стерилизации.*

Требования к инструментам с просветами для цикла стерилизации STERRAD 100NX Flex				
Модель кассеты Summit	Минимальный внутренний диаметр	Максимальная длина	Число просветов	Упаковочный материал / Жесткий контейнер
IN-0000	1 мм	850 мм	1	Упаковочный материал + Жесткий контейнер
IN-8823	1 мм	850 мм	1	Упаковочный материал + Жесткий контейнер
IN-7344	1 мм	850 мм	1	Упаковочный материал
IN-6105	4 мм	235 мм	1	Упаковочный материал + Жесткий контейнер

Утвержденная на основании расчетов соотношения выпуска к объему нагрузка для наиболее неблагоприятного варианта — лоток IN-0000.

Примечание: Лоток IN-0000 только в испытательных целях.

ПОКАЗАНИЯ ДЛЯ ИСПОЛЬЗОВАНИЯ (продолжение)

Низкотемпературные циклы стерилизации AMSCO® V-PRO®, упаковочный материал и жесткие контейнеры Aescular®

Кассеты системы защиты инструментов InstruSafe® используются для организованного хранения и защиты других медицинских устройств, стерилизацию которых осуществляет поставщик медицинских услуг. Кассеты системы защиты инструментов InstruSafe предназначены для стерилизации корпусных медицинских устройств в рамках низкотемпературных циклов стерилизации AmSCO V-PRO. Кассеты системы защиты инструментов InstruSafe предназначены для использования совместно с коммерчески доступными на законных основаниях упаковочными материалами или жесткими контейнерами Aescular. Кассеты системы защиты инструментов InstruSafe сами по себе не предназначены для поддержания стерильности. Полный перечень моделей устройств приводится в Приложении А.

Системы низкотемпературной стерилизации AMSCO V-PRO			
Стерилизатор	Стандартный цикл	Цикл для инструментов с просветами	Цикл для инструментов без просветов
V-PRO 1	X	Н/Д	Н/Д
V-PRO 1 PLUS	Н/Д	X	X
V-PRO maX	Н/Д	X	X
V-PRO maX 2	Н/Д	X	X
Модель кассеты Summit		Модель контейнера Aescular	
IN-8823		*JM444	
IN-6105		*JM742	
<p><i>*Валидировано компанией Summit Medical для использования ТОЛЬКО в системах низкотемпературной стерилизации AMSCO V-PRO. При использовании в качестве стерильного барьера контейнера Aescular нагрузка (лоток Summit и содержимое) не должна превышать требований к контейнеру в плане веса или типа нагрузки.</i></p>			

Утвержденный размер для инструментов с просветами:			
Модель кассеты Summit	Минимальный внутренний диаметр	Максимальная длина	Число просветов
IN-8823	3 мм	400 мм	2
IN-6105	3 мм	200 мм	1
IN-2681	1 мм	64 мм	1
<p><i>Примечание: Утвержденная на основании расчетов соотношения выпуска к объему нагрузка для наиболее неблагоприятного варианта — лоток IN-2681.</i></p>			

ПОКАЗАНИЯ ДЛЯ ИСПОЛЬЗОВАНИЯ (продолжение)

VP4 Sterizone, упаковочный материал и жесткие контейнеры Aescular®

Кассеты (лотки) системы защиты инструментов InstruSafe® используются для организованного хранения и защиты других медицинских устройств, стерилизацию которых осуществляет поставщик медицинских услуг. Кассеты системы защиты инструментов InstruSafe предназначены для стерилизации корпусных медицинских устройств в рамках цикла стерилизации № 1 STERIZONE VP4. Кассеты системы защиты инструментов InstruSafe предназначены для использования совместно с коммерчески доступными на законных основаниях упаковочными материалами или жесткими контейнерами Aescular. Кассеты системы защиты инструментов InstruSafe сами по себе не предназначены для поддержания стерильности.

Компания Summit Medical валидировала использование кассет системы защиты инструментов InstruSafe в рамках цикла № 1 стерилизатора STERIZONE VP4 путем подтверждения эффективности стерилизации с использованием репрезентативной выборки медицинских устройств, включая инструменты общего назначения, жесткие и полужесткие инструменты с просветами и гибкие эндоскопы. В ходе валидации получена информация, использовавшаяся для установления расчетных пределов, применимых ко всей линейке кассет системы защиты инструментов InstruSafe и гарантирующих соответствие всех моделей валидированным пределам в отношении вентилирования кассет, внутренних полок и веса:

- Минимальное соотношение вентиляция/объем, инструменты общего назначения: 0,073
- Минимальное соотношение вентиляция/объем, гибкие эндоскопы: 0,263
- Максимальное количество внутренних полок: 2 (две)
- Максимальный вес кассеты (вместе с содержимым): 25 фунтов/кассета

В приведенной ниже таблице указаны валидированные загрузки с использованием кассет системы защиты инструментов InstruSafe.

Информацию, позволяющую убедиться, что загрузки не превышают заявленные пределы для стерилизатора, см. в инструкции по эксплуатации производителя стерилизатора.

Описание загрузок системы защиты инструментов InstruSafe.

Репрезентативный для номера валидируемой загрузки стерилизатора STERIZONE® VP4 (K190260)	Описание валидируемой загрузки Summit Medical	Общий вес загрузки (не учитывая 25-фунтовый загрузочный стеллаж)
4	<p>Загрузка 4a: представляет собой предельную загрузку в случае жестких и полужестких канальных инструментов:</p> <ul style="list-style-type: none"> • 3 (три) двухканальных полужестких эндоскопа (уретероскоп — 0,7 × 500 мм и 1,1 × 500 мм) были упакованы, по 1 (одному) на кассету, в 3 (три) кассеты IN 7323-R. • Для получения в общей сложности 15 каналов добавили жесткие канальные инструменты. <p>Все кассеты были оснащены соответствующими силиконовыми держателями для инструментов и завернуты в упаковочный материал.</p> <p>Загрузка 4b: представляет собой предельную загрузку в случае жестких и полужестких канальных инструментов:</p> <ul style="list-style-type: none"> • 3 (три) двухканальных полужестких эндоскопа (уретероскоп — 0,7 × 400 мм и 1,1 × 400 мм) были упакованы, по 1 (одному) на кассету, в 3 (три) кассеты IN-0007-TF. • Для получения в общей сложности 15 каналов добавили жесткие канальные инструменты. <p>Все кассеты были оснащены соответствующими силиконовыми держателями для инструментов и помещены в жесткий контейнер Aescular JM440.</p>	<p>Загрузка 4a = 5 фунтов/кассета, всего 15 фунтов</p> <p>Загрузка 4b = 11 фунтов/кассета, всего 33 фунта</p>
7	<p>Валидируемая загрузка 7a Summit Medical: представляла собой предельную загрузку по весу в случае медицинских инструментов общего назначения, характеризуемых следующими геометрическими конфигурациями:</p> <ul style="list-style-type: none"> • Коробчатый шарнир • Пятовый шарнир • Винтовое соединение типа Люэр <p>Медицинские инструменты общего назначения были распределены по 3 (трем) кассетам IN-7323-R, оснащенным соответствующими силиконовыми держателями, каждая весом 25 фунтов. Кассеты были завернуты в упаковочный материал.</p> <p>Валидируемая загрузка 7b Summit Medical: представляла собой предельную загрузку по весу в случае медицинских инструментов общего назначения, характеризуемых следующими геометрическими конфигурациями:</p> <ul style="list-style-type: none"> • Коробчатый шарнир • Пятовый шарнир • Винтовое соединение типа Люэр <p>Медицинские инструменты общего назначения были распределены по 3 (трем) кассетам IN-0006-TF, оснащенным соответствующими силиконовыми держателями. Кассеты были помещены в контейнеры Aescular JM440, каждый весом 25 фунтов.</p>	<p>Загрузка 7a = 25 фунтов/кассета всего 75 фунтов</p> <p>Загрузка 7b = 25 фунтов/кассета всего 75 фунтов</p>
8	<p>Валидируемая загрузка 8a Summit Medical: представляла собой предельную загрузку в виде в общей сложности 5 (пяти) гибких канальных эндоскопов в кассетах, завернутых в упаковочный материал:</p> <ul style="list-style-type: none"> • 2 (два) двухканальных гибких эндоскопа (уретероскоп — 1 × 850 мм и 1 × 989 мм) были упакованы, по 1 (одному) на кассету, в кассеты IN-0003-R. • 1 (один) одноканальный гибкий эндоскоп (уретероскоп — 1 × 850 мм) был упакован в кассету IN-0004-R. <p>Кассеты были оснащены соответствующими силиконовыми держателями и завернуты в упаковочный материал.</p> <p>Валидируемая загрузка 8b Summit Medical: представляла собой предельную загрузку в виде в общей сложности 4 (четырёх) гибких канальных эндоскопов в кассетах, упакованных в жесткие контейнеры:</p> <ul style="list-style-type: none"> • 2 (два) двухканальных гибких эндоскопа (уретероскоп — 1 × 850 мм и 1 × 989 мм) были упакованы, по 1 (одному) на кассету, в кассеты IN-0003-TF, оснащенные соответствующими силиконовыми держателями. <p>Каждая кассета была помещена в контейнер Aescular JM442.</p>	<p>Загрузка 8a = 4,3 фунта/кассета, всего 13 фунтов</p> <p>Загрузка 8b = 8,3 фунта/кассета, всего 25 фунтов</p>

ХРАНЕНИЕ

Прошедшие финишную стерилизацию кассеты в упаковочном материале или контейнерах необходимо хранить на полке в горизонтальном положении. Информацию о сроке хранения можно получить у производителя упаковочного материала или контейнера.

УТИЛИЗАЦИЯ

В случае, если системы защиты инструментов InstruSafe® не прошли проверку перед использованием или иным способом были признаны более непригодными для применения, изделия необходимо утилизировать в соответствии с местными правилами. Метод утилизации определяется в зависимости от потенциальных рисков перекрестного заражения и инфицирования, когда возникает необходимость в утилизации.

СООБЩЕНИЕ О СЕРЬЕЗНЫХ ИНЦИДЕНТАХ

О любом серьезном инциденте, который произошел в отношении устройства, следует сообщать производителю и FDA / компетентному органу государства-члена, в котором зарегистрирован пользователь и/или пациент.

ГАРАНТИЯ

ОГРАНИЧЕННАЯ ГАРАНТИЯ НА СИСТЕМУ ЗАЩИТЫ ИНСТРУМЕНТОВ INSTRUSAFE ПРОИЗВОДСТВА SUMMIT MEDICAL.

ДАННАЯ ОГРАНИЧЕННАЯ ГАРАНТИЯ И УКАЗАННЫЕ В НЕЙ КОМПЕНСАЦИИ НОСЯТ ИСКЛЮЧИТЕЛЬНЫЙ ХАРАКТЕР И ЗАМЕНЯЮТ СОБОЙ ВСЕ ПРОЧИЕ ЯВНЫЕ ГАРАНТИИ. ЕСЛИ НЕ УКАЗАНО ИНОЕ, ЛЮБЫЕ УТВЕРЖДЕНИЯ ИЛИ ЗАЯВЛЕНИЯ СО СТОРОНЫ ТРЕТЬИХ ЛИЦ ИЛИ КОМПАНИЙ НЕ ИМЕЮТ ЮРИДИЧЕСКОЙ СИЛЫ. СРОК ДЕЙСТВИЯ ПОДРАЗУМЕВАЕМЫХ ГАРАНТИЙ КОММЕРЧЕСКОЙ ПРИГОДНОСТИ ИЛИ ПРИГОДНОСТИ ДЛЯ ИСПОЛЬЗОВАНИЯ ПО НАЗНАЧЕНИЮ ОГРАНИЧИВАЕТСЯ СРОКОМ ДЕЙСТВИЯ ЯВНОЙ ОГРАНИЧЕННОЙ ГАРАНТИИ. НИ КОМПАНИЯ SUMMIT MEDICAL, НИ ЕЕ АФФИЛИРОВАННЫЕ ЛИЦА НЕ НЕСУТ ОТВЕТСТВЕННОСТИ ЗА СЛУЧАЙНЫЕ, КОСВЕННЫЕ ИЛИ ОСОБЫЕ УБЫТКИ, ВОЗНИКШИЕ В РЕЗУЛЬТАТЕ ЭКСПЛУАТАЦИИ ИЛИ НЕВОЗМОЖНОСТИ ЭКСПЛУАТАЦИИ СИСТЕМЫ INSTRUSAFE, ПОНЕСЕННЫЕ В СИЛУ НАРУШЕНИЯ ГАРАНТИИ ИЛИ ЛЮБЫХ ИНЫХ ПРИНЦИПОВ ПРАВА.

Данная Ограниченная гарантия наделяет пользователя определенными юридическими правами, при этом пользователь может иметь и другие права, которые могут отличаться в зависимости от места эксплуатации (например, штата). Законодательство некоторых штатов не допускает ограничений по сроку действия подразумеваемой гарантии или исключения или ограничения случайных или косвенных убытков, поэтому указанные выше ограничения или исключения могут не относиться к конкретному пользователю.

На что распространяется гарантия. Summit Medical гарантирует первоначальному покупателю, что включенная в данную Ограниченную гарантию система InstruSafe соответствует спецификациям производителя и что в ней отсутствуют дефекты вследствие использования некачественных материалов или небрежности при изготовлении. Гарантия действует в течение 12 месяцев с момента первоначальной покупки. В случае передачи первоначальным покупателем системы InstruSafe другому лицу такое лицо не вправе предъявлять требования по данной Ограниченной гарантии.

Способы решения проблем. В случае обнаружения дефектов в системе InstruSafe в течение гарантийного срока пользователь обязан уведомить Summit Medical или авторизованного дистрибьютора или дилера Summit Medical. Пользователь обязуется предоставить компании Summit Medical или ее представителям возможность проведения надлежащих, по мнению Summit Medical, исследований, диагностики и испытаний и, если это необходимо, вернуть продукт производителю по указанному ниже адресу. Единственным обязательством Summit Medical согласно данной Ограниченной гарантии является, на усмотрение Summit Medical, ремонт или замена дефектного продукта или продуктов без взимания платы за запчасти или работы. Расходы на почтовую пересылку, страхование или услуги экспедиторов в процессе предоставления системы InstruSafe для гарантийного обслуживания возлагаются на пользователя.

На что не распространяется гарантия. Данная Ограниченная гарантия действует при условии правильной эксплуатации и обслуживания продукта; она не распространяется на неправильно отправленные, ненадлежащим образом эксплуатирующиеся, эксплуатирующиеся с нарушениями или небрежностью, неправильно обслуживаемые, очищаемые или хранящиеся продукты, а также продукты, сервисное обслуживание которых осуществлялось любыми лицами, кроме Summit Medical или авторизованного дистрибьютора или дилера Summit Medical, и продукты, в которые были внесены изменения без явного разрешения со стороны Summit Medical. Несоблюдение указаний, приведенных в руководстве пользователя, считается ненадлежащей эксплуатацией или обслуживанием продукта и может привести к прекращению действия данной Ограниченной гарантии. Настоящая Гарантия не распространяется на нормальный износ или замену компонентов.

В случае возникновения вопросов или претензий по данной гарантии обращайтесь:

Отдел обслуживания клиентов
Summit Medical
815 Vikings Parkway, Suite 100
St. Paul, MN 55121 | USA (США)
www.instrusafe.com

ТЕЛЕФОН: 651-789-3939 | 888-229-2875
ФАКС: 651-789-3979 | 888-229-1941
EMAIL: customerservice@innoviamedical.com

Výrobce zařízení ověřil, že podle zde uvedených pokynů lze zpracovávat opětovně použitelné zdravotnické prostředky.

Jednotlivé sterilizátory, čistota nástrojů, konkrétní zasouvání táců s nástroji, typy a geometrie nástrojů, sterilizační nádoby, filtry a obaly se liší podle místa.

PŘED POUŽITÍM PRODUKTU SI PŘEČTĚTE TUTO ČÁST

SHRNUTÍ ZAMÝŠLENÝCH POUŽITÍ / INDIKACÍ POUŽITÍ

Kazety/zásobníky systému ochrany nástrojů InstruSafe® se používají k uložení a ochraně opakovaně použitelných zdravotnických prostředků během přepravy, sterilizace a skladování. Kazety/zásobníky systému ochrany nástrojů InstruSafe® se používají k organizaci a ochraně jiných zdravotnických prostředků, které jsou sterilizovány poskytovatelem zdravotní péče. Kazety/zásobníky systému ochrany nástrojů InstruSafe mají během těchto cyklů sterilizace zajistit sterilizaci těchto uzavřených zdravotnických prostředků.

- Předvakuová pára (ISO 17665-1 a EN 285)
- Ethylenoxid (ISO 11135)
- Ověřená nízkoteplotní sterilizace, (ISO 14937) např.
 - STERRAD® 100S Standard (krátký)
 - STERRAD® 100NX® Express, Standard a Flex
 - STERIS® AMSCO® V-PRO 1®, V-PRO 1 Plus, V-PRO maX a V-PRO maX 2
 - Sterizone® VP4
 - STERRAD® NX® Standard

Kazety/zásobníky systému ochrany nástrojů InstruSafe nemají samy o sobě poskytovat sterilitu. Kazety/zásobníky systému ochrany nástrojů InstruSafe se mají používat společně se zákonně prodávaným obalem, pevnými nádobami Aesculap® nebo pevnými nádobami Genesis™.

Sterilizační nádoby InstruSafe byly ověřeny k použití s kazetami/zásobníky systému ochrany nástrojů InstruSafe (pouze před-vakuový 4minutový cyklus parní sterilizace při teplotě 270 °F (132 °C) podle 510(k) K180528. Další informace naleznete v návodu k použití sterilizační nádoby InstruSafe®.

Úplný seznam modelů zařízení naleznete v dodatku A, který lze zobrazit na webu www.instrusafe.com/ifus.

POPIS PROSTŘEDKU

Systémy ochrany nástrojů Summit Medical InstruSafe jsou kazety/tácy uzavřeny a uspořádání chirurgických nástrojů a příslušenství během sterilizace a následného uložení a přepravy. Kazety/tácy nemají přímý kontakt s pacientem. Kazety/tácy samotné neuchovávají sterilitu. Kazety/tácy mají různé rozměry stejné základní konfigurace: obdélníková základna se zajištěným víkem. Kazety/tácy jsou perforovány, aby se dovnitř dostal prostředek pro sterilizaci. Kazety/tácy mají v základně a/nebo ve víku silikonové vložky, které pomáhají udržovat, uspořádat a chránit chirurgické nástroje v kazetě/tácu během sterilizace a následného uložení a přepravy.

ZAMÝŠLENÝ UŽIVATEL

Systémy ochrany nástrojů InstruSafe® jsou určeny k použití profesionály ve zdravotnictví na operačních sálech a sterilních odděleních pro přepravu, sterilizaci a skladování zdravotnických prostředků.

OMEZENÍ ZPRACOVÁNÍ

1. Doba životnosti systému ochrany nástrojů InstruSafe je minimálně 25 sterilizačních cyklů. Před použitím zkontrolujte, jestli tác není opotřebovaný či poškozený. Pokud zjistíte viditelné známky opotřebení jako např. koroze, mechanické závady, praskání, odlupování, drobení, prasklé sváry, poškozené nožičky, poškozené závlačky, poškozené Hold-Its®/Hold-Downs, změny barvy atd., přestaňte prostředek používat.
2. Viz **Tabulka 2**, kde se dozvíte o metodách a konfiguracích sterilizace.
3. **NEPŘETĚŽUJTE** systémy či součásti systémů InstruSafe.
4. **NEPŘETĚŽUJTE** jednotlivé zdiřky Hold-Its. Do jedné zdiřky Hold-Its vkládejte pouze jeden nástroj.
5. U pevných nádob **NEBALTE** systémy či součásti InstruSafe a vložte je do nádoby ke sterilizaci.
6. Uvnitř sterilizátorů **NA SEBE NESKLÁDEJTE** jednotlivě balené nebo do nádob uzavřené systémy nebo součásti InstruSafe. Oddělte systémy v obalu či v nádobě InstruSafe či součásti od sebe nebo jiných předmětů na jednotlivých policích sterilizátoru, aby mohl sterilizační prostředek co nejlépe proudit.
7. Použití neabsorpčních podložek na tácy (např. silikonových organizačních podložek) může způsobit kondenzaci. Pokud je vidět vlhkost, proveďte sterilizaci znovu s delší dobou sušení.
8. Celková hmotnost systému nádob (např. nádoba, tác a zatížení nástroje) nesmí překročit 25 liber (11,34 kg).
9. Nástroje (např. endoskopy a nástroje s průsvity či kanálky) se musí připravit a sterilizovat podle pokynů výrobce nástroje.
10. Zodpovědností zpracovatele je udržovat konkrétní ověření procesu konečné sterilizace používaného na konfiguraci nástrojů a nádoby přítomné při sterilizačním procesu.
11. Ohledně dalších omezení si projděte návod k použití výrobce sterilizátoru (např. omezení rozměrů nebo hmotnosti).

VAROVÁNÍ

- U hliníkových systémů InstruSafe používejte pouze čisticí prostředky s neutrálním pH (6,0–8,5), abyste nepoškodili horní vrstvu. Čisticí prostředek s vysoce kyselým či vysoce zásaditým pH by mohl nenávratně poškodit vrstvu eloxovaného hliníku kazety a kovových součástí.
- Nepoužívejte, pokud je obal poškozený nebo byl před použitím neúmyslně otevřen.

Poznámka: Před odesláním do servisu kazety vyčistěte a zkontrolujte podle uvedených pokynů.

VŠEOBECNÁ OPATŘENÍ

- Personál musí nosit veškeré osobní ochranné oděvy a prostředky předepsané provozními postupy zaměstnavatele/oddělení pro úroveň kontaminace, které bude vystaven.
- Odlišné kovy uchovávejte během sterilizace odděleně, aby nedošlo ke korozi.

BODY POUŽITÍ

Jednorázovou utěrkou / papírovým kapesníkem odstraňte hrubé nečistoty. Znečištěné součásti je třeba udržovat vlhké, dokud nelze použít vhodné procesy čištění.

ČIŠTĚNÍ

Při čištění nástrojů v kazetách postupujte podle pokynů výrobce konkrétních nástrojů.

K čištění kazety/zásobníku doporučujeme použít jednu z těchto ověřených metod čištění.

Používejte pouze rozpouštědla s neutrálním pH (6,0–8,5), bez uhličitanu sodného, aby nedošlo k poškození vrstvy hliníkových kazet.

NEPOUŽÍVEJTE drátěnky ani agresivní čisticí prostředky. **NEUKLÁDEJTE** kazety do tekutiny.

1. Ruční hrubá dekontaminace:

- Potřebné materiály: Enzymatický čisticí prostředek s neutrálním pH (6,0 – 8,5), měkký štětinový kartáček a tekoucí voda.
- Pomocí štětinového kartáčku odstraňte veškeré viditelné nečistoty. Během čištění se celá kazeta musí alespoň na 2 minuty ponořit, aby došlo k lepšímu odstranění nečistot a nedošlo k postříkání personálu čisticím prostředkem.
- Oplachujte čistou vodou alespoň 1 minutu, aby se smyl všechn čisticí prostředek. Viz pokyny k oplachování na etiketě čisticího prostředku.

2. Ultrazvukové čištění:

- V ultrazvukové čisticí jednotce připravte enzymatickou lázeň.
- Vložte do čisticího prostředku jednu kazetu a nechte ji tam alespoň deset minut.
- Oplachujte alespoň 2 minuty studenou tekoucí vodou.
- Zkontrolujte kazetu vizuálně kvůli nečistotám. Je-li nutné odstranit viditelné nečistoty, cyklus opakujte.

3. Automatická myčka:

Systémy ochrany nástrojů InstruSafe byly ověřeny pro cyklus automatického systému mytí uvedený v části **Tabulka 1**. Zpracovatel bude muset provést kvalifikaci konkrétních parametrů.

Tabulka 1

CYKLUS	TEPLOTA VODY	PROCES ČIŠTĚNÍ
Předmytí 1 a 2	Studená tekoucí voda	Doba recirkulace: 2 minuty
Enzymatická lázeň	Horká tekoucí voda	Doba namočení: 4 minuty
Lázeň 1	Ohřátá na 150 °F (65,5 °C)	Doba recirkulace: 15 minut
Oplach 1 a 2	Horká tekoucí voda	Doba recirkulace: 5 minut

Poznámka: Po dokončení automatického mycího cyklu vizuálně zkontrolujte, zda se na systému InstruSafe (kazetě a příslušenství) nenacházejí zbylé viditelné nečistoty. Před odesláním ke sterilizaci se veškeré viditelné nečistoty musí odstranit ručně, kartáčkem, ultrazvukově nebo dalším automatickým cyklem.

DEZINFEKCE

Systémy InstruSafe mají být naprosto sterilizovány.

ÚDRŽBA, KONTROLA A TESTOVÁNÍ

Systémy InstruSafe lze opětovně používat, dokud u nich nedojde k přílišnému opotřebení, jako je například koroze, praskání, rez, odlupování, drobení, zabarvení či mechanické závady.

Projevy mechanických závad zahrnují:

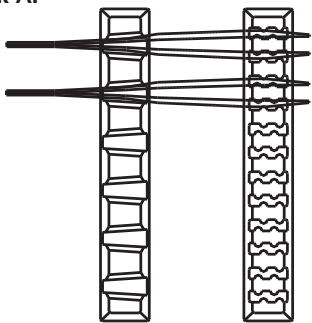
- Zlomené či prasklé rohy nebo sváry
- Zlomené či nefunkční závlačky
- Chybějící, roztržené či rozříznuté silikonové vložky
- Chybějící nebo poškozené nožky

MONTÁŽ

1. Umístěte nástroje do předem připravených držáků nebo míst určených vymešovými kolíky, aby byly veškeré plochy nástroje vystaveny sterilizačnímu prostředku. Viz **Obrázek A**. Přesvědčte se, že v každé zdiřce je pouze jeden nástroj. Je-li to možné, demontujte nebo otevřete veškeré části vybavení nástroje podle pokynů výrobce nástroje.

NEPŘETĚŽUJTE držáky ani nosnost kazet. Viz Příloha A.

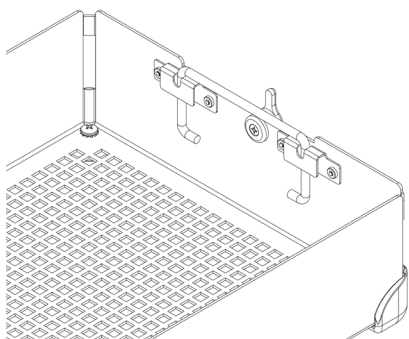
Obrázek A.



Poznámka: Nástroje (např. endoskopy a nástroje s průsvity či kanálky) se musí připravit a sterilizovat podle pokynů výrobce nástroje.

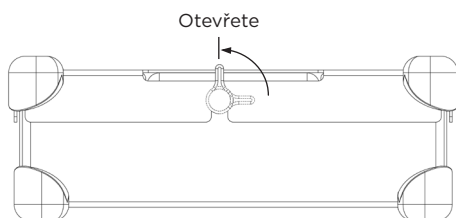
2. Přesvědčte se, že rukojeti jsou v poloze uvnitř kazety (stažená poloha). Viz **Obrázek B**.

Obrázek B.



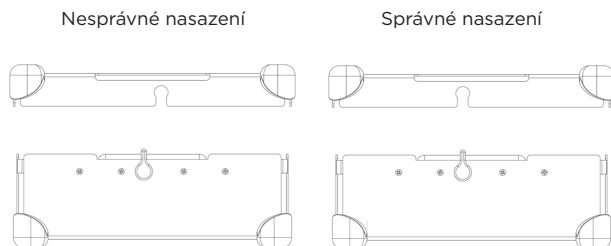
3. Umístěte kryt kazety na její základnu a přesvědčte se, že závlačky jsou ve správné poloze k otvoru na krytu kazety, pak závlačky zavřete. Viz **Obrázek C**.

Obrázek C.



Poznámka: Závlačky jsou mimo osu, aby kryt kazety vždy přesně zapadl na základnu. Když je tedy zajištěn kryt, držáky správně zapadnou. Správné nasazení uvidíte na **Obrázku D**. **NETLAČTE kryt kazety na její základnu, mohlo by dojít k poškození nástrojů a kazety.**

Obrázek D.



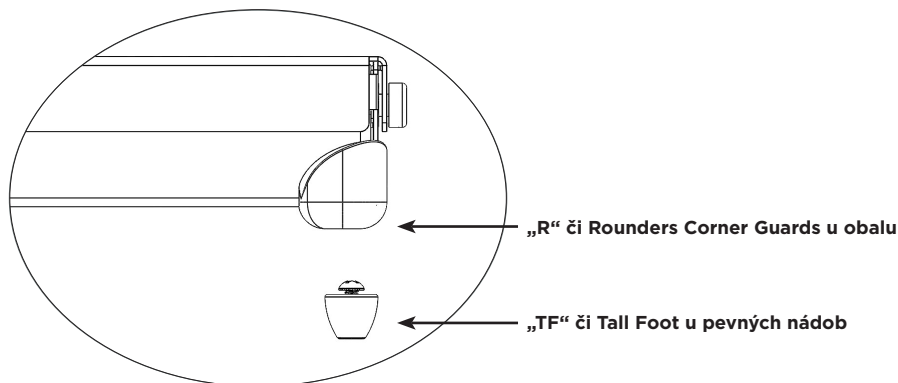
BALENÍ

Systémy InstruSafe se mohou zabalit do zákonně prodáváného obalu nebo uložit do zákonně prodávané pevné nádoby. Viz Pokyny k použití v návodu k použití.

Použití s obalem:

1. Před zabalením kazety se přesvědčte, že má správný typ nožek. S obalem se musí použít R. Viz **Obrázek F**.

Obrázek F.



2. Zabalte kazetu pomocí běžně prodáváného obalu podle pokynů výrobce obalu.

3. Sterilizujte balík pomocí jednoho ze sterilizačních cyklů uvedených v návodu k použití.

Použití s pevnými nádobami:

Viz Pokyny k použití v návodu k použití.

1. Před uložením kazety do pevné nádoby se přesvědčte, že má správný typ nožek. U pevných nádob použijte TF. Viz **Obrázek F**.

2. Umístěte kazetu do pevné nádoby. Při utěsnění nádoby postupujte podle pokynů výrobce.

Poznámka: Nebalte kazety předtím, než je umístíte do nádoby kvůli sterilizaci.

3. Sterilizujte nádobu a její obsah pomocí jednoho ze sterilizačních cyklů uvedených v návodu k použití.

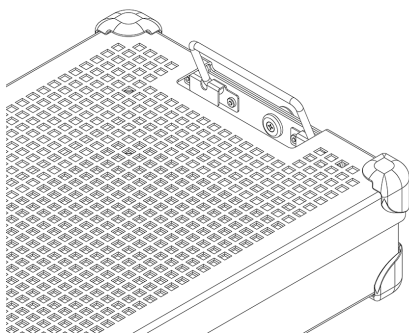
Dodatečné informace:

Chcete-li kazetu z pevné nádoby vyjmout sterilně, postupujte podle pokynů k použití výrobce nádoby.

1. Ruce v rukavicích otočte dlaněmi ven a protáhněte je otvory ve víku kazety.

2. Vezměte rukojeti kazety a zvedněte je do vzpřímené polohy. Viz **Obrázek G**.

Obrázek G.



3. Nakloňte rukojeti směrem dovnitř, dále od stěn pevné nádoby, a kazetu z nádoby opatrně vyzvedněte tak, abyste se nedotkli vrchní či vnější části nádoby.

4. Umístěte kazetu na sterilní povrch.

STERILIZACE

Viz **Tabulka 2**, kde najdete parametry sterilizace, které jsou vhodné pro sterilizaci systémů InstruSafe.

Tabulka 2.

METODA STERILIZACE	CYKLUS (počet)
Před-vakuová pára	Parametr: Teplota 270°F (132°C) Doba cyklu 4 minuty Doba sušení 30 minut
Ethylenoxid (EO)	Příprava: Teplota 131°F (55°C) Relativní vlhkost 70 ± 15 % Doba přípravy 1 hodina Sterilizace: Doba cyklu 120 minut Teplota 131°F (55°C) Doba provzdušňování 12 hodin
STERRAD 100S	<i>Standard</i>
STERRAD 100NX	<i>Standard, Express, Flex</i>
STERRAD NX	<i>Standard</i>
STERIS AMSCO V-PRO 1	<i>Standard</i>
STERIS AMSCO V-PRO 1 PLUS	<i>S průsvitem, bez průsvitu</i>
STERIS AMSCO V-PRO maX	<i>S průsvitem, bez průsvitu</i>
STERIS AMSCO V-PRO maX 2	<i>S průsvitem, bez průsvitu</i>
Sterizone VP4	<i>Cyklus 1</i>

Společnost Summit Medical ověřila tyto metody sterilizace:

- 4 minutový cyklus sterilizace v autoklávu v zákonně prodávaném obalu, sterilizační nádobě InstruSafe, pevné nádobě Aesculap nebo pevné nádobě Genesis schválených FDA. Podle normy K180528 byla sterilizační nádoba InstruSafe ověřena k použití s kazetami/zásobníky systému ochrany nástrojů InstruSafe.
- Cyklus sterilizace ethylenoxidem (EO) v zákonně prodávaném obalu nebo pevné nádobě Genesis schválené FDA.
- Cyklus sterilizace STERRAD 100S Standard v zákonně prodávaném obalu nebo pevné nádobě Aesculap schválené FDA.
- Cyklus sterilizace STERRAD 100NX Standard v zákonně prodávaném obalu nebo pevné nádobě Aesculap schválené FDA.
- Cyklus sterilizace STERRAD 100NX Express v zákonně prodávaném obalu schváleném FDA.
- Cyklus sterilizace STERRAD 100NX Flex v zákonně prodávaném obalu nebo pevné nádobě Aesculap schválené FDA.
- Cyklus sterilizace STERRAD NX Standard v zákonně prodávaném obalu nebo pevné nádobě Aesculap schválené FDA.
- Sterilizační cykly STERIS AMSCO V-PRO 1, V-PRO 1 PLUS, V-PRO maX a V-PRO maX 2 v zákonně prodávaném obalu nebo pevné nádobě Aesculap schválené FDA.
- Cyklus sterilizace Sterizone VP4 v zákonně prodávaném obalu a pevné nádobě Aesculap schválené FDA.

NEPŘETĚŽUJTE sterilní nádobu podle specifikací výrobce.

K udržení sterility používejte příslušenství schválené FDA.

Postupujte prosím podle návodu k obsluze sterilizátoru, aby se navržené zatížení shodovalo se sterilizačním cyklem.

Postupujte prosím podle návodu k použití nádoby, aby se navrhované zatížení shodovalo se zatížením nádoby schváleným FDA.

POKYNY K POUŽITÍ

4minutový parní cyklus, obal a pevná nádoba Aesculap®

Kazety systému ochrany nástrojů InstruSafe® se používají k organizaci a ochraně jiných zdravotnických prostředků, které jsou sterilizovány poskytovatelem zdravotní péče. Kazety systému ochrany nástrojů InstruSafe mají během před-vakuového parního sterilizačního cyklu zajistit sterilizaci uzavřených zdravotnických prostředků. Kazety systému ochrany nástrojů InstruSafe se mají používat společně se zákonně prodávaným obalem nebo pevnou nádobou Aesculap. Kazety systému ochrany nástrojů InstruSafe nemají samy o sobě poskytovat sterilitu.

Parametr sterilizace v autoklávu	
CYKLUS	Před-vakuová
Teplota	270 °F (132 °C)
Doba cyklu	4 minuty
Minimální doba sušení	30 minut
Model kazety Summit	Model nádoby Aesculap
IN-8823-AE	*JN444
IN-2880	*JK444
IN-6105	*JN742
<i>*Schváleno společností Summit Medical k použití v před-vakuových parních sterilizátorech POUZE při 270 °F (132 °C) po dobu 4 minut. Postupujte podle návodu k nádobě, aby nedošlo k překročení navržené kapacity sterilizační nádoby.</i>	

Specifikace průsvitů pro 4minutový před-vakuový parní sterilizační cyklus			
Model kazety Summit	Minimální vnitřní průměr	Maximální délka	Počet průsvitů
IN-8823-CF	3 mm	400 mm	4
IN-8823-CF	3 mm	200 mm	2
IN-2880	1 mm	76 mm	2
IN-2880	3 mm	177 mm	1
IN-6105	5 mm	241 mm	1
IN-2681	1 mm	65 mm	1
IN-2681	3 mm	200 mm	1
IN-7823	1 mm	400 mm	17

4minutový parní cyklus, pevná nádoba Genesis™

Kazety systému ochrany nástrojů InstruSafe® se používají k organizaci a ochraně jiných zdravotnických prostředků, které jsou sterilizovány poskytovatelem zdravotní péče. Kazety systému ochrany nástrojů InstruSafe mají během před-vakuového parního sterilizačního cyklu zajistit sterilizaci uzavřených zdravotnických prostředků. Kazety systému ochrany nástrojů InstruSafe se mají používat společně se zákonně prodávanou pevnou nádobou Genesis. Kazety systému ochrany nástrojů InstruSafe nemají samy o sobě poskytovat sterilitu. Kompletní seznam modelů prostředku je uveden v Příloze A.

Specifikace průsvitů pro 4minutový před-vakuový parní sterilizační cyklus			
Model kazety Summit	Minimální vnitřní průměr	Maximální délka	Počet průsvitů
IN-2681	1 mm	65 mm	1
IN-2681	3 mm	200 mm	1
IN-6105	5 mm	241 mm	1
IN-0000	1 mm	400 mm	5
	3 mm	400 mm	1
	5 mm	400 mm	1

POKYNY K POUŽITÍ (pokračování)

8minutový parní a ethylenoxidový (EO) cyklus, obal a pevná nádoba Genesis™

Kazety systému ochrany nástrojů InstruSafe® se používají k organizaci a ochraně jiných zdravotnických prostředků, které jsou sterilizovány poskytovatelem zdravotní péče. Kazety systému ochrany nástrojů InstruSafe mají během před-vakuového parního sterilizačního nebo ethylenoxidového cyklu zajistit sterilizaci uzavřených zdravotnických prostředků. Kazety systému ochrany nástrojů InstruSafe se mají používat společně se zákonně prodávaným obalem nebo pevnou nádobou Genesis. Kazety systému InstruSafe nemají samy o sobě udržovat sterilitu.

Metody a nastavení sterilizace

8minutová parní příprava při 132 °C	
140krát tkaný obal	10minutový cyklus sušení
Netkaný obal (Kimberly Clark)	50minutový cyklus sušení
Nádoba Genesis (referenční Tabulka 1 při použití filtrovacího papíru)	30minutový cyklus sušení

Nádoba Genesis	Filtrační papír nádoby Genesis
CD2-4B	FX3-1: 9 × 9"
CD2-5B	FX3-1: 9 × 9"
CD3-4B	FX3-1: 9 × 9"
CD3-5B	FX3-1: 9 × 9"
CD3-6B	FX3-1: 9 × 9"
CD3-7B	FX3-1: 9 × 9"
CD4-5B	FO3-2: 9 × 9"
CD5-61B	FO3-2: 9 × 9"
CD6-6B	FX3-1: 9 × 9"

Při použití jakýchkoliv pevných nádob Genesis postupujte podle návodu k použití systému sterilizačních nádob V. Mueller Genesis.

Ethylenoxid (EO)
<ul style="list-style-type: none">1 hodina přípravy při 131 °F (55 °C) a relativní vlhkosti 70 ± 15 %2hodinový cyklus při 131 °F (55 °C)12 hodin provzdušňování

Cykly STERRAD® 100S & STERRAD® 100NX® Standard, obal a pevná nádoba Aesculap®

Kazety systému ochrany nástrojů InstruSafe® se používají k organizaci a ochraně jiných zdravotnických prostředků, které jsou sterilizovány poskytovatelem zdravotní péče. Kazety systému ochrany nástrojů InstruSafe mají během sterilizačního cyklu Sterrad 100S Standard a Sterrad 100NX Standard zajistit sterilizaci uzavřených zdravotnických prostředků. Kazety systému ochrany nástrojů InstruSafe se mají používat společně se zákonně prodávaným obalem nebo pevnou nádobou Aesculap. Kazety systému ochrany nástrojů InstruSafe nemají samy o sobě poskytovat sterilitu. Kompletní seznam modelů prostředku je uveden v Příloze A.

Tyto sterilizační tácy byly schváleny pro odpovídající pevné nádoby:

Cyklus STERRAD 100S Standard	
Model kazety Summit	Model nádoby Aesculap
IN-8823-AE	*JM444
IN-6105	*JM440

Cyklus STERRAD 100NX Standard	
Model kazety Summit	Model nádoby Aesculap
IN-8823-AE	*JM444
IN-6105	*JM440

*Ověřeno společností Summit Medical pro použití POUZE v cyklu STERRAD 100S Standard a STERRAD 100NX Standard. Postupujte podle návodu k nádobě, aby nedošlo k překročení navržené kapacity sterilizační nádoby.

Specifikace průsvitů pro cykly STERRAD 100S Standard a STERRAD 100NX Standard	
4 nerezový průsvit s vnitřním průměrem 3 mm × délka 400 mm	Veškeré modely příslušné velikosti jsou uvedeny v Příloze A s výjimkou IN-2681.
2 nerezový průsvit s vnitřním průměrem 3 mm × délka 200 mm	
1 nerezový průsvit s vnitřním průměrem 3 mm × délka 200 mm	IN-2681
1 nerezový průsvit s vnitřním průměrem 1mm × délka 65 mm	

POKYNY K POUŽITÍ (pokračování)

Cyklus STERRAD® NX® Standard, obal a pevná nádoba Aesculap®

Kazety systému ochrany nástrojů InstruSafe® se používají k organizaci a ochraně jiných zdravotnických prostředků, které jsou sterilizovány poskytovatelem zdravotní péče. Kazety systému ochrany nástrojů InstruSafe mají během sterilizačního cyklu Sterrad NX Standard zajistit sterilizaci uzavřených zdravotnických prostředků. Kazety systému ochrany nástrojů InstruSafe se mají používat společně se zákonně prodávaným obalem nebo pevnou nádobou Aesculap. Kazety systému ochrany nástrojů InstruSafe nemají samy o sobě poskytovat sterilitu. Kompletní seznam modelů prostředku je uveden v Příloze A.

Metody a nastavení sterilizace –
Cyklus sterilizace Sterrad NX Standard

Specifikace průsvitů pro cyklus sterilizace STERRADNX Standard			
Model kazety Summit	Minimální vnitřní průměr	Maximální délka	Počet průsvitů
IN-2681	1 mm	65 mm	1
IN-2681	3 mm	200 mm	1
IN-8987-S	1 mm	500 mm	5
IN-8615	2,3 mm	210 mm	5
IN-6105	4 mm	235 mm	1

Poznámka: Zatížení ověřené pro nejhůrší možnou situaci podle výpočtu odvětrání k objemu je táč IN-2681.

Cyklus STERRAD® 100NX® Express, obal

Kazety systému ochrany nástrojů InstruSafe® se používají k organizaci a ochraně jiných zdravotnických prostředků, které jsou sterilizovány poskytovatelem zdravotní péče. Kazety systému ochrany nástrojů InstruSafe mají během sterilizačního cyklu Sterrad® 100NX Express zajistit sterilizaci uzavřených zdravotnických prostředků. Kazety systému ochrany nástrojů InstruSafe se mají používat společně se zákonně prodávaným obalem. Kazety systému ochrany nástrojů InstruSafe nemají samy o sobě poskytovat sterilitu. Systém ochrany nástrojů InstruSafe nemá pro cyklus Sterrad 100NX Express žádné specifikace průsvitů.

Cyklus STERRAD® 100NX® Flex, obal a pevná nádoba Aesculap®

Kazety systému ochrany nástrojů InstruSafe® se používají k organizaci a ochraně jiných zdravotnických prostředků, které jsou sterilizovány poskytovatelem zdravotní péče. Kazety systému ochrany nástrojů InstruSafe mají během sterilizačního cyklu Sterrad 100NX Flex zajistit sterilizaci uzavřených zdravotnických prostředků. Kazety systému ochrany nástrojů InstruSafe se mají používat společně se zákonně prodávaným obalem nebo pevnou nádobou Aesculap. Kazety systému ochrany nástrojů InstruSafe nemají samy o sobě poskytovat sterilitu. Kompletní seznam modelů prostředku je uveden v Příloze A.

Cyklus sterilizace STERRAD 100NX Flex	
Model kazety Summit	Model nádoby Aesculap
IN-0000	*JM440
IN-6105	*JM440

**Ověřeno společností Summit Medical k použití POUZE v cyklu sterilizace STERRAD 100NX Flex. Postupujte podle návodu k nádobě, aby nedošlo k překročení navržené kapacity sterilizační nádoby.*

Specifikace průsvitů pro cyklus sterilizace STERRAD 100NX Flex				
Model kazety Summit	Minimální vnitřní průměr	Maximální délka	Počet průsvitů	Obal/pevná nádoba
IN-0000	1 mm	850 mm	1	Obal + pevná nádoba
IN-8823	1 mm	850 mm	1	Obal + pevná nádoba
IN-7344	1 mm	850 mm	1	Obal
IN-6105	4 mm	235 mm	1	Obal + pevná nádoba

Zatížení ověřené pro nejhůrší možnou situaci podle výpočtu odvětrání k objemu je táč IN-0000.

Poznámka: Táč IN-0000 slouží pouze k testování.

POKYNY K POUŽITÍ (pokračování)

Cykly sterilizace AMSCO® V-PRO® při nízké teplotě, obal a pevná nádoba Aesculap®

Kazety systému ochrany nástrojů InstruSafe® se používají k organizaci a ochraně jiných zdravotnických prostředků, které jsou sterilizovány poskytovatelem zdravotní péče. Kazety systému ochrany nástrojů mají zajistit sterilizaci uzavřených zdravotnických prostředků během cyklů sterilizace Amsco V-PRO při nízké teplotě. Kazety systému ochrany nástrojů InstruSafe se mají používat společně se zákonně prodávaným obalem nebo pevnou nádobou Aesculap. Kazety systému ochrany nástrojů InstruSafe nemají samy o sobě poskytovat sterilitu. Kompletní seznam modelů prostředku je uveden v Příloze A.

Systémy sterilizace AMSCO V-PRO při nízké teplotě			
Sterilizátor	Standardní cyklus	Cyklus s průsvitem	Cyklus bez průsvitu
V-PRO 1	X	N/A	N/A
V-PRO 1 PLUS	N/A	X	X
V-PRO maX	N/A	X	X
V-PRO maX 2	N/A	X	X
Model kazety Summit		Model nádoby Aesculap	
IN-8823		*JM444	
IN-6105		*JM742	
<i>*Ověřeno společností Summit Medical k použití POUZE v systému sterilizace AMSCO V-PRO při nízké teplotě. Při použití nádoby Aesculap jako sterilní bariéry nesmí zatížení (tác Summit a obsah) přesáhnout specifikace hmotnosti a zatížení nádoby.</i>			

Velikost schváleného průsvitu vybavení zahrnuje:			
Model kazety Summit	Minimální vnitřní průměr	Maximální délka	Počet průsvitů
IN-8823	3 mm	400 mm	2
IN-6105	3 mm	200 mm	1
IN-2681	1 mm	64 mm	1
Poznámka: Zatížení ověřené pro nejhorší možnou situaci podle výpočtu odvětrání k objemu je tác IN-2681.			

POKYNY K POUŽITÍ (pokračování)

VP4 Sterizone, obal a pevná nádoba Aesculap®

Kazety systému (zásobníky) ochrany nástrojů InstruSafe® se používají k organizaci a ochraně jiných zdravotnických prostředků, které jsou sterilizovány poskytovatelem zdravotní péče. Kazety systému ochrany nástrojů InstruSafe mají poskytnout sterilizaci uzavřených zdravotnických prostředků během 1. sterilizačního cyklu STERIZONE VP4. Kazety systému ochrany nástrojů InstruSafe se mají používat společně se zákonně prodávaným obalem nebo pevnou nádobou Aesculap. Kazety systému ochrany nástrojů InstruSafe nemají samy o sobě poskytovat sterilitu.

Společnost Summit Medical ověřila použití kazety systému ochrany nástrojů InstruSafe v 1. cyklu sterilizátoru STERIZONE VP4 prostřednictvím ukávek efektivity sterilizace za pomoci reprezentativních vzorků zdravotnických prostředků, včetně obecných nástrojů, tuhých a polotuhých nástrojů s lumeny a flexibilních endoskopů. Ověření zajistilo informace, které byly využity ke stanovení designových limitů použitých napříč řadou kazet systému ochrany nástrojů InstruSafe a které zajišťují, že všechny modely odpovídají ověřeným limitům pro větrání, interní rozdělení a hmotnost kazet:

- Minimální poměr větrání k objemu u obecných přístrojů: 0,073
- Minimální poměr větrání k objemu u flexibilních endoskopů: 0,263
- Maximální počet interních přihrádek: Dvě (2)
- Maximální hmotnost kazety (včetně obsahu): 25 liber / kazeta

Ověřená zatížení při používání kazet systému ochrany nástrojů InstruSafe naleznete v tabulce níže. Chcete-li zajistit, aby zatížení nepřesahovala uváděné limity sterilizátoru, řiďte se návodem k použití výrobce sterilizátoru.

Popis zatížení systému ochrany nástrojů InstruSafe.

Zástupce zatížení pro ověření sterilizátoru STERIZONE® VP4 č. (K190260)	Popis ověření zatížení společnosti Summit Medical	Celková hmotnost zatížení (nezahrnuje 25librovou vkladací políci)
4	<p>Zatížení 4a: Zahrnuje limit zatížení pro tuhé a polotuhé kanálkové nástroje:</p> <ul style="list-style-type: none"> • Tři (3) dvoukanálové polotuhé endoskopy (uretroskop – 0,7 mm × 500 mm a 1,1 mm × 500 mm) byly zabaleny a jeden (1) na kazetu, ve třech (3) kazetách IN 7323-R . • Dodatečné tuhé kanálkové nástroje byly přidány k dosažení celkem 15 kanálků. <p>Každá kazeta zahrnovala vhodné silikonové držáky nástrojů a byla zabalena.</p> <p>Zatížení 4b: Zahrnuje limit zatížení pro tuhé a polotuhé kanálkové nástroje:</p> <ul style="list-style-type: none"> • Tři (3) dvoukanálové polotuhé endoskopy (uretroskop – 0,7 mm × 400 mm a 1,1 mm × 400 mm) byly zabaleny a jeden (1) na kazetu, ve třech (3) kazetách IN-0007-TF . • Dodatečné tuhé kanálkové nástroje byly přidány k dosažení celkem 15 kanálků. <p>Každá kazeta zahrnovala vhodné silikonové držáky nástrojů a byla umístěna do tuhé nádoby Aesculap JM440.</p>	<p>Zatížení 4a = 5 liber / kazeta, Celkem 15 liber</p> <p>Zatížení 4b = 11 liber / kazeta, Celkem 33 liber</p>
7	<p>Ověření zatížení 7a společnosti Summit Medical: Zahrnuje limit hmotnosti zatížení pro běžné zdravotnické nástroje představující následující tvary:</p> <ul style="list-style-type: none"> • Pojistný krabicový závěs • Otočný závěs • Luer-lock <p>Běžné zdravotnické nástroje byly rozprostřeny napříč třemi kazetami (3) IN-7323-R s vhodnými silikonovými držáky, který každý vážil 25 liber. Kazety byly zabaleny.</p> <p>Ověření zatížení 7b společnosti Summit Medical: Zahrnuje limit hmotnosti zatížení pro běžné zdravotnické nástroje představující následující tvary:</p> <ul style="list-style-type: none"> • Pojistný krabicový závěs • Otočný závěs • Luer-lock <p>Běžné zdravotnické nástroje byly rozprostřeny napříč třemi kazetami (3) IN-0006-TF s vhodnými silikonovými držáky. Kazety byly umístěny do nádob Aesculap JM440, každá o hmotnosti 25 liber.</p>	<p>Zatížení 7a = 25 liber / kazeta Celkem 75 liber</p> <p>Zatížení 7b = 25 liber / kazeta Celkem 75 liber</p>
8	<p>Ověření zatížení 8a společnosti Summit Medical: Zahrnovalo limit zatížení pěti (5) plně flexibilních kanálkových endoskopů v zabalených kazetách:</p> <ul style="list-style-type: none"> • Dva (2) dvoukanálové flexibilní endoskopy (uretroskopy – 1 mm × 850 mm a 1 mm × 989 mm) byly zabaleny a jeden (1) na kazetu, v kazetách IN-0003-R. • Jeden (1) jednonanálový flexibilní endoskop (ureteroskop – 1 mm × 850 mm) byl zabalen do kazety IN-0004-R. <p>Kazety zahrnovaly vhodné silikonové držáky a byly zabaleny.</p> <p>Ověření zatížení 8b společnosti Summit Medical: Zahrnovalo limit zatížení čtyř (4) plně flexibilních kanálkových endoskopů v kazetách zabalených v tuhých nádobách:</p> <ul style="list-style-type: none"> • Dva (2) dvoukanálové flexibilní endoskopy (uretroskop – 1 mm × 850 mm a 1 mm × 989 mm) byly zabaleny a jeden (1) na kazetu, v kazetách IN-0003-TF s vhodnými silikonovými držáky. <p>Každá kazeta byla umístěna uvnitř nádoby Aesculap JM442.</p>	<p>Zatížení 8a = 4,3 liber / kazeta, Celkem 13 liber</p> <p>Zatížení 8b = 8,3 liber / kazeta, Celkem 25 liber</p>

SKLADOVÁNÍ

Naprostě sterilní kazety, které jsou v obalu či nádobě, ukládejte na police v horizontální poloze. Informace o trvanlivosti zjistíte u výrobce obalu či nádoby.

LIKVIDACE

V případě, že systémy ochrany nástrojů InstruSafe® neprojdou před použitím kontrolou nebo jsou z jiného důvodu považovány za nevhodné pro daný účel, je třeba zařízení zlikvidovat v souladu s místním protokolem. Způsob likvidace bude záviset na potenciálních rizicích křížové kontaminace a infekce při zjištění potřeby likvidace.

HLÁŠENÍ ZÁVAŽNÝCH NEHOD

Jakékoliv vážné situace, které se vyskytnou v souvislosti se zařízením, je třeba nahlásit výrobci a organizaci FDA / příslušným úřadům členského státu, ve kterém má pobyt uživatel a/nebo pacient.

ZÁRUKA

OMEZENÁ ZÁRUKA SYSTÉMU OCHRANY NÁSTROJŮ INSTRUSAFE SPOLEČNOSTI SUMMIT MEDICAL.

POSKYTOVANÁ OMEZENÁ ZÁRUKA A PRÁVNÍ OCHRANA JE VÝHRADNÍ A NAHRAZUJE JAKÉKOLIV JINÉ VÝLUČNÉ ZÁRUKY. POKUD ZDE NENÍ UVEDENO JINAK, JAKÁKOLIV PROHLÁŠENÍ UČINĚNÁ JINOU OSOBOU ČI SPOLEČNOSTÍ JSOU NEPLATNÁ. TRVÁNÍ JAKÝCHKOLIV IMPLICITNÍCH ZÁRUK OBCHODOVATELNOSTI ČI VHODNOSTI PRO KONKRÉTNÍ ÚČEL JE OMEZENO NA TRVÁNÍ VÝLUČNÉ OMEZENÉ ZÁRUKY. ANI SPOLEČNOST SUMMIT MEDICAL ANI JEJÍ POBOČKY NEODPOVÍDAJÍ ZA NÁHODNÉ, ZAPŘÍČINĚNÉ ČI ZVLÁŠTNÍ ZTRÁTY ČI ŠKODY V DŮSLEDKU POUŽÍVÁNÍ ČI NESCHOPNOSTI POUŽÍVÁNÍ SYSTÉMU INSTRUSAFE, AŽ JIŽ Z DŮVODU PORUŠENÍ ZÁRUKY ČI JAKÉHOKOLIV JINÉHO PRÁVNÍHO HLEDISKA.

Omezená záruka vám poskytuje konkrétní práva, k nimž se mohou přidat podle země přidat ještě práva další. Některé země nedovolují omezení délky trvání záruky, ani výlučnost či omezení náhodných či zapříčiněných škod, takže se výše uvedená omezení či výlučnost na vás nemusí vztahovat.

Na co se záruka vztahuje. Společnost Summit Medical poskytuje záruku původnímu kupujícímu, že systém InstruSafe, na který se vztahuje tato omezená záruka, splňuje specifikace výrobce a po dobu 12 měsíců od data prvotního zakoupení bude bez vad zpracování a materiálu. Pokud původní kupující převede systém InstruSafe na jinou stranu, nemůže tato strana tuto omezenou záruku uplatnit.

Co podnikneme k nápravě nedostatků. Pokud v této době dojde k poruše systému InstruSafe, musíte o tom informovat společnost Summit Medical nebo autorizovaného prodejce Summit Medical. Musíte umožnit společnosti Summit Medical nebo jejímu zástupci provést takové šetření, zkoušky a testy, které společnost Summit Medical považuje za nutné, a na vyžádání vrátit produkt na adresu uvedenou níže. Jedinou povinností společnosti Summit Medical podle této omezené záruky je dle vlastního uvážení opravit či vyměnit vadný produkt či produkty bez náhrady nákladů na díly či práci. Náklady na poštovné, pojištění či přepravu vzniklé z důvodu vrácení produktu InstruSafe v rámci záručního servisu jsou hrazeny vámi.

Na co se záruka nevztahuje. Tato omezená záruka je podmíněna správným používáním a údržbou produktu; nevztahuje se na produkty nesprávně přepravované, nebo nesprávně používané, zanedbané, nebo nesprávně udržované, čištěné či skladované, nebo které byly opraveny někým jiným než společností Summit Medical či autorizovaným prodejcem Summit Medical, nebo které byly upraveny bez výslovného souhlasu společnosti Summit Medical. Nedodržení pokynů v návodu k obsluze může vést k nesprávnému použití či údržbě produktu a zneplatnit tak tuto omezenou záruku. Tato záruka se nevztahuje na běžné opotřebení či náhradní díly.

Pokud máte ohledně této záruky jakékoliv dotazy či výhrady, obraťte se na:

Oddělení služeb zákazníkům
Summit Medical
815 Vikings Parkway, Suite 100
St. Paul, MN 55121 | USA
www.instrusafe.com

TELEFON: 651-789-3939 | 888-229-2875
FAX: 651-789-3979 | 888-229-1941
E-MAIL: customerservice@innoviamedical.com

Az itt közölt utasítások a készülék gyártója által igazoltan alkalmasak a többször használható orvostechnikai eszközök újrahasznosítására.

Az egyedi sterilizálóeszközök, a műszertisztasági követelmények, a műszertálcák névleges terhelése, a műszerek típusai és geometriája, a sterilizációs tárolóeszközök, a szűrők és a csomagolás helyszínként eltérőek lehetnek.

A TERMÉK HASZNÁLTAVÉTELE ELŐTT OLVASSA EL A JELEN SZAKASZT

RENDELTETTÉSSZERŰ HASZNÁLAT/HASZNÁLATI JAVALLAT – ÖSSZEFOGLALÓ

Az InstruSafe® műszervédő rendszerekhez tartozó kazetták/tálcák a többször használható orvostechnikai eszközök befogadására és megóvására szolgálnak szállítás, sterilizálás és tárolás során. Az InstruSafe® műszervédő rendszerhez tartozó kazetták/tálcák egészségügyi szolgáltatók által sterilizált, egyéb orvostechnikai eszközök rendezésére és megóvására használhatók. Az InstruSafe műszervédő rendszerhez tartozó kazetták/tálcák rendelgetése az azokban elhelyezett orvostechnikai eszközök sterilizálásának a lehetővé tétele a következő sterilizálási ciklusok során:

- Elővákuum-gőz (ISO 17665-1 és EN 285)
- Etilén-oxid (ISO 11135)
- Validált alacsony hőmérsékletű sterilizálás, (ISO 14937), azaz
 - STERRAD® 100S Standard (rövid) ▪ STERIS® AMSCO® V-PRO 1®, V-PRO 1 Plus, V-PRO maX és V-PRO maX 2
 - STERRAD® 100NX® Express, Standard, és Flex ▪ Sterizone® VP4
 - STERRAD® NX® Standard

Az InstruSafe műszervédő rendszerhez tartozó kazetták/tálcák rendelgetésük szerint önmagukban nem alkalmasak a sterilitás fenntartására. Az InstruSafe műszervédő rendszerhez tartozó kazetták/tálcák jogszerűen forgalmazott kendőkkel, Aesculap® merev tárolóeszközökkel vagy Genesis™ merev tárolóeszközökkel együtt használhatók.

Az InstruSafe sterilizációs tárolóeszközök az 510(k) K180528 szabvány szerint validáltak az InstruSafe műszervédő rendszer kazettáival/tálcáival való használatra (elővákuum, 270° F (132°C), 4 perces gőzsterilizálási ciklus). További információkért olvassa el az InstruSafe® sterilizációs tárolóeszköz használati útmutatóját.

Az eszközmodellek teljes listája az A. függelékben található, amely a www.instrusafe.com/ifus weboldalon tekinthető meg.

ESZKÖZ LEÍRÁSA

A Summit Medical InstruSafe műszervédő rendszerei olyan kazetták/tálcák, amelyekben rendezett módon sebészeti műszereket és műszertartozékokat zárnak és tartanak a sterilizálás folyamata, majd a későbbi tárolás és szállítás során. A kazetták/tálcák a betegekkel közvetlenül nem érintkeznek. Önmagukban a kazetták/tálcák nem tartják fenn a sterilitást. A kazetták/tálcák azonos alapkonfigurációban különböző méretűek: négyzetes alaptesten reteszelt fedéllel. A sterilizálószer áthatolása érdekében a kazetták/tálcák perforáltak. A kazetták/tálcák alaptestében és/vagy fedelén szilikon betétek vannak, amelyek a kazettán/tálcán belül a sebészeti műszerek befogadását, rendezését és megóvását szolgálják a sterilizálási folyamat, valamint a későbbi tárolás és szállítás során.

CÉLFELHASZNÁLÓ

Az InstruSafe® műszervédő rendszereket egészségügyi szakemberek használhatják a műtőben és steril feldolgozó részlegben orvostechnikai eszközök szállítására, sterilizálására és tárolására.

A FELDOLGOZÁSRA VONATKOZÓ KORLÁTOZÁS

1. Az InstruSafe műszervédő rendszer hasznos élettartama legalább 25 sterilizálási ciklus. Használat előtt vizsgálja meg a tálcát, hogy azon nincs-e használat okozta kopás vagy sérülés. Hagyja abba a használatot, amennyiben kopás jelei láthatók, beleértve a korróziót, a mechanikai sérüléseket, repedéseket, a lepattogzó vagy lehámló részeket, megszakadt hegesztéseket, sérült lábakat, sérült zárat, sérült Hold-Its®/Hold-Downs eszközöket, elszíneződéseket stb.
2. A sterilizálási módokat és konfigurációkat lásd a **2. táblázatban**.
3. **NE TERHELJE TÚL** az InstruSafe rendszereket vagy alkotóelemeket.
4. **NE TERHELJE TÚL** az egyes Hold-Its hornyokat. Hold-Its hornyonként csak egy műszert töltsön be.
5. A merev falú tárolóeszközök használói részére: amikor sterilizálás céljából a tárolóeszközök belsejébe helyezik az InstruSafe rendszereket vagy alkotóelemeket, **NE CSOMAGOLJÁK BE AZOKAT**.
6. A sterilizálók belsejében **NE HELYEZZÉK EGYMÁSRA** az egyediileg becsomagolt vagy tartóeszközbe helyezett InstruSafe rendszereket vagy alkotóelemeket. A sterilizáló külön polcain válassza el egymástól a becsomagolt vagy tartóeszközbe helyezett InstruSafe rendszereket vagy alkotóelemeket, esetleg más eszközöket, hogy biztosítsa a sterilizálószer lehető legnagyobb áramlását.
7. A nem abszorbens tálcabélések (pl. szilikon műszeralátétek) használatakor összegyűlhet a kondenzátum. Ha láthatóan nedvesség van jelen, ismét végezze el a sterilizálást hosszabb száradási idővel.
8. A tárolórendszer (pl. tárolóegység, tálca és műszertöltet) teljes tömege nem haladhatja meg a 25 fontot (11,34 kg).
9. A műszereket (pl. endoszkópokat, valamint a lumenekkel vagy csatornákkal rendelkező műszereket) a műszer gyártója utasításainak megfelelően kell előkészíteni és sterilizálni.
10. A feldolgozó felelőssége, hogy fenntartsa a terminálsterilizálási folyamatra vonatkozó specifikus validálásokat, amelyeket a sterilizálási folyamathoz bemutatott műszerek és tárolóegységek konfigurációira alkalmaznak.
11. További korlátozásokért (pl. méret- vagy súlykorlátozások) olvassa el a sterilizálóeszköz gyártójának használati útmutatóját.

FIGYELMEZTETÉSEK

- Az alumínium InstruSafe rendszerek esetében a felület sérülésének az elkerülése érdekében kizárólag semleges (6,0–8,5) pH-értékű mosószerek használhatók. Az erősen savas vagy erősen lúgos pH-jú mosószerek tartós kárt okozhatnak a kazetták vagy a fém alkotórészek anodizált alumínium felületeiben.
- Ne használja fel, ha a csomagolás sérült vagy azt véletlenül kinyitották a használat előtt.

Megjegyzés: A használatbavétel előtt tisztítsa meg és vizsgálja át a kazettákat a mellékelt utasításoknak megfelelően.

ÁLTALÁNOS ÓVINTÉZKEDÉSEK

- A személyzet viseljen, illetve alkalmazzon minden védőruházatot és -felszerelést a várható kitettségek megfelelő szennyeződési szintnek megfelelően, a munkáltató/szervezeti egység működési eljárásaiban előírtak szerint.
- A korrózió elkerülése érdekében a sterilizálás során az eltérő fémeket tartsa egymástól elválasztva.

FELHASZNÁLÁSI HELY

Eldobható kendővel/papírtörülővel távolítsa el a szennyeződéseket. A szennyezett alkotórészeket nedvesen kell tartani, amíg minősített tisztítási eljárásokat nem lehet alkalmazni.

TISZTÍTÁS

A kazettában lévő műszerek tisztításával kapcsolatos specifikus utasításokat tekintse át a műszer gyártójának használati utasításában.

A kazetta/tálca megtisztítása érdekében az alábbi validált tisztítási lehetőségek valamelyikének alkalmazása javasolt.

Annak érdekében, hogy elkerülje az alumíniumkazetták felületének károsodását, csak nátrium-karbonátmentes, semleges pH-jú (6,0-8,5) oldatokat használjon.

NE használjon súrolószivacsot vagy dörzshatású tisztítószereket. **NE** tárolja a kazettát folyadékban.

1. Általános kézi szennyeződés-mentesítés:

- Az szükséges anyagok: Semleges (6,0–8,5) pH-értékű, enzimatikus mosószert, puha sörtéjű kefe és folyóvíz.
- Puha sörtéjű kefével távolítsa el az összes látható piszkot és szennyeződést. A tisztítás során az egész kazettát legalább 2 percre merítse vízbe, hogy elősegítse a szennyeződések eltávolítását, továbbá mérsékelje annak lehetőségét, hogy a mosószert a személyzetre fröccsenjen.
- Alaposan öblítse legalább 1 percre tiszta vízzel, hogy eltávolítsa az összes mosószert. Lásd az öblítési utasításokat a mosószert címkéjén.

2. Ultrahangos tisztítás:

- Készítsen enzimes mosóoldatot az ultrahangos tisztítóegységben.
- Helyezzen egy kazettát a mosószertbe, és a készüléket legalább tíz percre üzemeltesse.
- Öblítse legalább 2 percre hideg csapvízben.
- Szemrevételezéssel ellenőrizze a kazettán az esetleges szennyeződéseket. A látható szennyeződés eltávolítása érdekében szükség esetén ismételje meg a ciklust.

3. Automatikus mosóberendezés:

Az InstruSafe műszervédő rendszerek az **1. táblázatban** felsorolt automatikus mosórendszerciklusokra is validáltak. A konkrét paraméterek minősítését a feldolgozó végzi majd el.

1. táblázat

CIKLUS	VÍZHŐMÉRSÉKLET	TISZTÍTÁSI ELJÁRÁS
1-2. előmosás	Hideg csapvíz	Recirkulációs idő: 2 perc
Enzimes mosás	Meleg csapvíz	Áztatási idő: 4 perc
1. mosás	Melegítés 150 °F (65,5 °C) hőmérsékletre	Recirkulációs idő: 15 perc
1-2. öblítés	Meleg csapvíz	Recirkulációs idő: 5 perc

Megjegyzés: Az automatikus mosási ciklus befejeződése után szemrevételezéssel ellenőrizze az InstruSafe rendszeren (kazetta és tartozékok) az esetlegesen visszamaradt, látható szennyeződéseket. Az összes látható szennyeződést kézi tisztítással, kefével, ultrahangos vagy kiegészítő automatikus tisztítási ciklusokkal kell eltávolítani a sterilizálásra küldés előtt.

FERTŐTLENÍTÉS

Az InstruSafe rendszerek rendeltetésük szerint negyedévente sterilizálandók.

KARBANTARTÁS, ELLENŐRZÉS ÉS VIZSGÁLAT

Az InstruSafe rendszerek mindaddig újrahaználhatók, amíg nem jelentkezik elfogadhatatlan mértékű állapotromlás, például korrózió, repedés, rozsdásodás, lepattogzás vagy hámlás, elszíneződés vagy mechanikai hiba.

A mechanikai hibák jelei közé tartoznak:

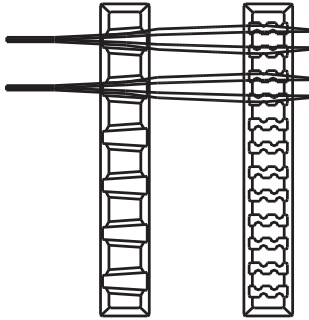
- Törött vagy repedt sarkok vagy hegesztések
- Törött vagy nem működőképes reteszek
- Hiányzó, szakadt vagy törött szilikon betétek
- Hiányzó vagy sérült lábak

ÖSSZESZERELÉS

1. Helyezze a műszereket az előre meghatározott tartókba vagy a pozicionáló lábak által jelzett területre, hogy a műszerek minden felülete érintkezzen a sterilizálószerrel. Lásd: **A. ábra**. Győződjön meg róla, hogy az egyes hornyokban csak egyetlen műszer van. Lehetőség szerint szerelje szét vagy nyissa ki a műszerek minden részét a gyártó utasításainak megfelelően.

NE terhelje túl a tartókat, illetve ne lépje túl a kazetták súlyhatárát. Lásd: A. melléklet.

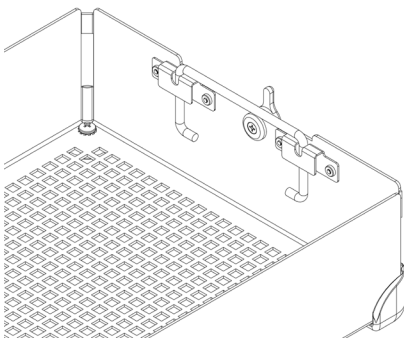
A. ábra



Megjegyzés: A műszereket (pl. endoszkópokat, valamint a lumenekkel vagy csatornákkal rendelkező műszereket) a műszer gyártója használati utasításainak megfelelően kell előkészíteni és sterilizálni.

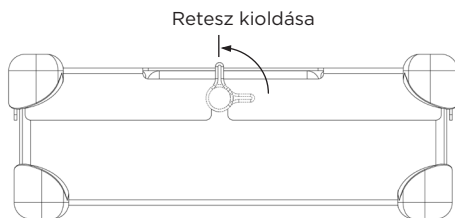
2. Győződjön meg róla, hogy a nyelek a kazettákon belül helyezkednek el (visszahúzott állapotban). Ehhez lásd: **B. ábra**.

B. ábra



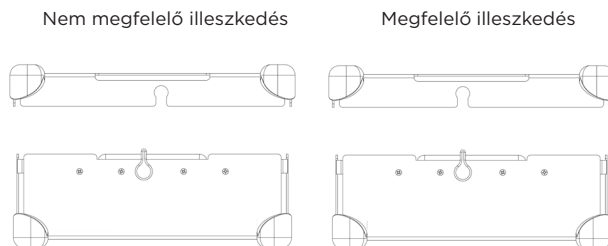
3. Helyezze rá a kazetta fedelét az alapegységre, miközben biztosítja a reteszek megfelelő elhelyezkedését úgy, hogy azok hornyjai a kazetta fedelére esnek, majd zárja a reteszeket. Lásd: **C. ábra**.

C. ábra



Megjegyzés: A reteszek eltolva helyezkednek el, hogy a kazetta fedele minden esetben megfelelően illeszkedjen az alapegységhez. Ez biztosítja a tartók megfelelő illeszkedését a fedél rögzítésekor. A megfelelő illeszkedéssel kapcsolatban lásd: **D. ábra**. **A kazetta fedelét NE erőltesse rá a kazetta alapegységére, mert azt a műszerek és a kazetta sérülését okozhatja.**

D. ábra



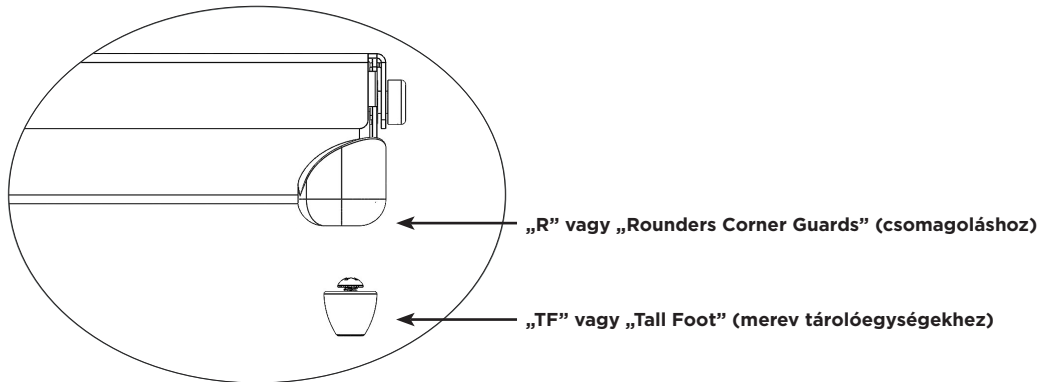
CSOMAGOLÁS

A InstruSafe rendszerek jogszerűen forgalmazott kendőben lehetnek becsomagolva, esetleg azokat jogszerűen forgalmazott, merev tárolóegységekben helyezik el. Olvassa el a használati útmutatóban ismertetett használati javallatokra vonatkozó nyilatkozatokat.

Kendő használata:

1. A kazettának a kendőbe helyezése előtt győződjön meg róla, hogy az a megfelelő típusú lábakkal rendelkezik. A csomagolásnál az „R” jelzetű részt kell használni. Lásd: **F. ábra**.

F. ábra



2. A kazettát hivatalosan forgalmazott csomagolóanyaggal csomagolja be a gyártó utasításai szerint.

3. Sterilizálja a csomagot a használati útmutatóban felsorolt sterilizálási ciklusok egyikével.

Merev tárolóegység használata:

Olvassa el a használati útmutatóban ismertetett használati javallatokra vonatkozó nyilatkozatokat.

1. A kazettának a merev tárolóegységbe való helyezése előtt győződjön meg róla, hogy az a megfelelő típusú lábakkal rendelkezik. A merev tárolóegységekkel a „TF” jelzett használandó. Lásd: **F. ábra**.

2. Helyezze a kazettát a merev tárolóegységbe. A tárolóegység zárása érdekében kövesse a tárolóegység gyártójának az utasításait.

Megjegyzés: A kazettákat ne rakja kendőbe, mielőtt azokat a sterilizáláshoz a tárolóegységbe helyezi.

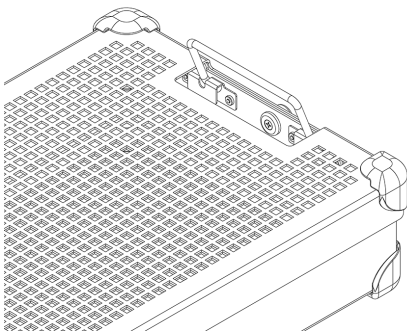
3. Sterilizálja a tartályt és tartalmát a használati útmutatóban felsorolt sterilizálási ciklusok egyikével.

További információk:

A kazettának a merev tárolóegységből való, aseptikus módon történő eltávolításához kövesse a tárolóegység gyártójának használati útmutatását.

1. A kesztyűs kézen a tenyerét fordítsa kifelé, és nyúljon át a kazetta fedelén lévő nyílásokon.
2. Fogja meg a kazetta fogantyúit, és emelje azokat fel. Lásd: **G. ábra**.

G. ábra



3. Billentse a fogantyúkat befelé, a merev tárolóegységek oldalától eltartva, majd emelje ki a kazettát a tárolóegységből úgy, hogy közben vigyáz, nehogy megérintse a tárolóegység tetejét vagy külsejét.
4. Helyezze a kazettát steril felületre.

STERILIZÁLÁS

Lásd a **2. táblázatban** azokat a sterilizálási paramétereket, amelyeket az InstruSafe rendszerek sterilizálásához validáltak.

2. táblázat

A STERILIZÁLÁS MÓDJA	CIKLUS (határidők)
Elővákuum gőz	Paraméter: Hőmérséklet 270 °F (132 °C) Expozíciós idő 4 perc Száradási idő 30 perc
Etilén-oxid(EO)	Előkondicionálás: Hőmérséklet 131°F (55°C) Relatív páratartalom 70 ± 15% Előkondicionálási idő 1 óra Sterilizálás: Expozíciós idő 120 perc Hőmérséklet 131°F (55°C) Levegőztetési idő 12 óra
STERRAD 100S	Standard
STERRAD 100NX	Standard, Express, Flex
STERRAD NX	Standard
STERIS AMSCO V-PRO 1	Standard
STERIS AMSCO V-PRO 1 PLUS	Lumenes, Nem lumenes
STERIS AMSCO V-PRO maX	Lumenes, Nem lumenes
STERIS AMSCO V-PRO maX 2	Lumenes, Nem lumenes
Sterizone VP4	1. ciklus

A Summit Medical az alábbi sterilizálási módszereket validálta:

- A 4 perces autoklávós sterilizálási ciklus legálisan forgalmazott csomagolóanyagban, InstruSafe sterilizációs tárolóeszközben, Aesculap merev tárolóegységben vagy az FDA által engedélyezett Genesis merev tárolóegységben. A K180528 alatt az InstruSafe sterilizálási tárolóegység az InstruSafe műszervédő rendszer kazettáival/tálcáival való használatra lett validálva.
- Etilén-oxidos (EO) sterilizálási ciklus az FDA által engedélyezett, jogszerűen forgalmazott csomagolásban és Genesis steril tárolóegységben.
- STERRAD 100S Standard sterilizálási ciklus az FDA által engedélyezett, jogszerűen forgalmazott csomagolásban és Aesculap merev tárolóegységben.
- STERRAD 100NX Standard sterilizálási ciklus az FDA által engedélyezett, jogszerűen forgalmazott csomagolásban és Aesculap merev tárolóegységben.
- STERRAD 100NX Express sterilizálási ciklus az FDA által engedélyezett, jogszerűen forgalmazott csomagolásban.
- STERRAD 100NX Flex sterilizálási ciklus az FDA által engedélyezett, jogszerűen forgalmazott csomagolásban és Aesculap merev tárolóegységben.
- STERRAD NX Standard sterilizálási ciklus az FDA által engedélyezett, jogszerűen forgalmazott csomagolásban és Aesculap merev tárolóegységben.
- A STERIS AMSCO V-PRO 1, V-PRO 1 PLUS, V-PRO maX és V-PRO maX 2 sterilizálási ciklusok legálisan forgalmazott csomagolóanyagban vagy az FDA által engedélyezett Aesculap merev tárolóegységben.
- Sterizone VP4 sterilizálási ciklus az FDA által engedélyezett, jogszerűen forgalmazott csomagolásban és Aesculap merev tárolóegységben.

NE lépje túl a steril tárolóegység gyártója által meghatározott betöltési kapacitást.

A sterilitás fenntartásához az FDA által engedélyezett kiegészítőt alkalmazzon.

Tanulmányozza a sterilizáló használati útmutatóját annak érdekében, hogy a tervezett behelyezés garantáltan megfeleljen a szándékolt sterilizálási ciklusnak.

Kérjük, tekintse át a tárolóegység használati útmutatóját annak biztosítása érdekében, hogy tervezett terhelés megfeleljen a tárolóegység tekintetében az FDA által engedélyezett terhelésnek.

HASZNÁLATI JAVALLATOK

4 perces gőz, kendő és Aesculap® merev tárolóegység

Az InstruSafe® műszervédő rendszerhez tartozó kazetták az egészségügyi szolgáltatók által sterilizált más orvostechnikai eszközök rendezésére és megóvására használatosak. Az InstruSafe műszervédő rendszerhez tartozó kazetták rendeltetése az azokban elhelyezett orvostechnikai eszközök sterilizálásának lehetővé tétele az elővákuumos gőzzel végzett sterilizálási ciklus során. Az InstruSafe műszervédő rendszerhez tartozó kazetták hivatalosan forgalmazott csomagolással vagy Aesculap merev tárolóegységekkel együtt használatosak. Az InstruSafe műszervédő rendszerhez tartozó kazetták rendeltetésük szerint önmagukban nem alkalmasak a sterilitás fenntartására.

Az autoklávós sterilizálás paraméterei	
Ciklus	Elővákuum
Hőmérséklet	270 °F (132 °C)
Expozíciós idő	4 perc
Minimális száradási idő	30 perc
Summit kazetta modell	Aesculap tárolóegység modell
IN-8823-AE	*JN444
IN-2880	*JK444
IN-6105	*JN742
*A Summit Medical által elővákuumos gőzsterilizálókban való használatra validálva, KIZÁRÓLAG 270 °F (132 °C) melletti működés és 4 perces expozíciós idő mellett. Tekintse át a tárolóegység útmutatóját annak biztosítása érdekében, hogy a tartalom nem haladja -e meg a sterilizációs tárolóegység rendeltetés szerinti terhelhetőségi adatait.	

A lumen adatai 4 perces elővákuumos gőzsterilizálási ciklus esetén			
Summit kazetta modell	Minimális belső átmérő	Maximális hosszúság	Lumenek száma
IN-8823-CF	3 mm	4 00mm	4
IN-8823-CF	3 mm	200 mm	2
IN-2880	1 mm	76 mm	2
IN-2880	3 mm	177 mm	1
IN-6105	5 mm	241 mm	1
IN-2681	1 mm	65 mm	1
IN-2681	3 mm	200 mm	1
IN-7823	1 mm	400 mm	17

4 perc gőz, Genesis™ merev tárolóeszköz

Az InstruSafe® műszervédő rendszerhez tartozó kazetták az egészségügyi szolgáltatók által sterilizált más orvostechnikai eszközök rendezésére és megóvására szolgálnak. Az InstruSafe műszervédő rendszerhez tartozó kazetták rendeltetése az azokban elhelyezett orvostechnikai eszközök sterilizálásának lehetővé tétele az elővákuumos gőzzel végzett sterilizálási ciklus során. Az InstruSafe műszervédő rendszerhez tartozó kazetták jogszerűen forgalmazott Genesis merev tárolóegységekkel együtt használatosak. Az InstruSafe műszervédő rendszerhez tartozó kazetták rendeltetésük szerint önmagukban nem alkalmasak a sterilitás fenntartására. Az eszközmodellek teljes felsorolása az A mellékletben található.

A lumen adatai 4 perces elővákuumos gőzsterilizálási ciklus esetén			
Summit kazetta modell	Minimális belső átmérő	Maximális hosszúság	Lumenek száma
IN-2681	1 mm	65 mm	1
IN-2681	3 mm	200 mm	1
IN-6105	5 mm	241 mm	1
IN-0000	1 mm	400 mm	5
	3 mm	400 mm	1
	5 mm	400 mm	1

HASZNÁLATI JAVALLATOK (folytatás)

8 perces gőz és etilén-oxidos sterilizálás (EO), csomagolás és Genesis™ merev tárolóegység

Az InstruSafe® műszervédő rendszerhez tartozó kazetták az egészségügyi szolgáltatók által sterilizált más orvostechnikai eszközök rendezésére és megóvására használatosak. Az InstruSafe rendszerhez tartozó kazetták rendeltetése az azokban elhelyezett orvostechnikai eszközök sterilizálásának lehetővé tétele az elővákuumos gőzzel vagy etilén-oxiddal végzett sterilizálási ciklusok során. Az InstruSafe rendszerhez tartozó kazetták jogszerűen forgalmazott csomagolással vagy Genesis merev tárolóegységekkel együtt használatosak. Az InstruSafe rendszerhez tartozó kazetták rendeltetésük szerint önmagukban nem alkalmasak a sterilitás fenntartására.

Sterilizálási módszerek és konfigurációk

Gőzsterilizálás, 8 perces előkondicionálás 132 °C hőmérsékleten	
140-es szövetsűrűségű szőtt csomagolás	10 perc száradási idő
Nem szőtt csomagolás (Kimberly Clark)	50 perc száradási idő
Genesis tárolóegység (lásd az 1. táblázatot az alkalmazandó szűrőpapír tekintetében)	30 perc száradási idő

Etilén-oxid(EO)
<ul style="list-style-type: none"> 1 óra előkondicionálás 131 °F (55 °C) hőmérsékleten, 70 ± 15% relatív páratartalom mellett 2 óra expozíció 131 °F (55 °C) hőmérsékleten 12 óra levegőztetés

Genesis tárolóegység	Genesis tárolóegység szűrőpapírja
CD2-4B	FX3-1: 9x9"
CD2-5B	FX3-1: 9x9"
CD3-4B	FX3-1: 9x9"
CD3-5B	FX3-1: 9x9"
CD3-6B	FX3-1: 9x9"
CD3-7B	FX3-1: 9x9"
CD4-5B	FO3-2: 9x6"
CD5-61B	FO3-2: 9x6"
CD6-6B	FX3-1: 9x9"

Bármely Genesis merev tárolóegység használata esetén olvassa el a V. Mueller Genesis sterilizáló tárolóegység-rendszerhez tartozó használati útmutatót.

STERRAD® 100S & STERRAD® 100NX® Standard ciklusok, kendő és Aesculap® merev tárolóegység

Az InstruSafe® műszervédő rendszerhez tartozó kazetták az egészségügyi szolgáltatók által sterilizált más orvostechnikai eszközök rendezésére és megóvására szolgálnak. Az InstruSafe műszervédő rendszerhez tartozó kazetták rendeltetése az azokban elhelyezett orvostechnikai eszközök sterilizálásának lehetővé tétele a Sterrad 100S Standard és Sterrad 100NX Standard rendszerrel végzett sterilizálási ciklus során. Az InstruSafe műszervédő rendszerhez tartozó kazetták hivatalosan forgalmazott csomagolással vagy Aesculap merev tárolóegységekkel együtt használatosak. Az InstruSafe műszervédő rendszerhez tartozó kazetták rendeltetésük szerint önmagukban nem alkalmasak a sterilitás fenntartására. Az eszközmodellek teljes felsorolása az A mellékletben található.

Az alábbi sterilizációs tálcákat a megfelelő merev tárolóegységekkel validálták:

STERRAD 100S Standard ciklus	
Summit kazetta modell	Aesculap tárolóegység modell
IN-8823-AE	*JM444
IN-6105	*JM440

STERRAD 100NX Standard ciklus	
Summit kazetta modell	Aesculap tárolóegység modell
IN-8823-AE	*JM444
IN-6105	*JM440

*A Summit Medical által KIZÁRÓLAG a STERRAD 100S Standard ciklusban és STERRAD 100NX Standard ciklusban való használatra validálva. Tekintse át a tárolóegység útmutatóját annak biztosítása érdekében, hogy a tartalom nem haladja-e meg a sterilizációs tárolóegység rendeltetési terhelhetőségi adatait.

A lumen adatai a STERRAD 100S Standard és STERRAD 100NX Standard ciklusok esetében	
4 rozsdamentes acél lumen 3 mm belső átmérővel és 400 mm hosszúsággal	Az IN-2681 kivételével minden megfelelően méretezett modell szerepel az A mellékletben.
2 rozsdamentes acél lumen 3 mm belső átmérővel és 200 mm hosszúsággal	
1 rozsdamentes acél lumen 3 mm belső átmérővel és 200 mm hosszúsággal	IN-2681
1 rozsdamentes acél lumen 1 mm belső átmérővel és 65 mm hosszúsággal	

HASZNÁLATI JAVALLATOK (folytatás)

STERRAD® NX® Standard ciklus, kendő és Aesculap® merev tárolóegység

Az InstruSafe® műszervédő rendszerhez tartozó kazetták az egészségügyi szolgáltatók által sterilizált más orvostechnikai eszközök rendezésére és megővésére szolgálnak. Az InstruSafe műszervédő rendszerhez tartozó kazetták rendeltetése az azokban elhelyezett orvostechnikai eszközök sterilizálásának lehetővé tétele a Sterrad NX Standard rendszerrel végzett sterilizálási ciklus során. Az InstruSafe műszervédő rendszerhez tartozó kazetták hivatalosan forgalmazott csomagolással vagy Aesculap merev tárolóegységekkel együtt használhatók. Az InstruSafe műszervédő rendszerhez tartozó kazetták rendeltetésük szerint önmagukban nem alkalmasak a sterilitás fenntartására. Az eszközmodellek teljes felsorolása az A mellékletben található.

Sterilizálási módszerek és konfigurációk
- Sterrad NX Standard sterilizálási ciklus

A lumen adatai a STERRAD NX Standard sterilizálási ciklus esetében			
Summit kazetta modell	Minimális belső átmérő	Maximális hosszúság	Lumenek száma
IN-2681	1 mm	65 mm	1
IN-2681	3 mm	200 mm	1
IN-8987-S	1 mm	500 mm	5
IN-8615	2,3 mm	210 mm	5
IN-6105	4 mm	235 mm	1

Megjegyzés: A térfogat tömörítési arányára vonatkozó számítás alapján a legrosszabb esetre validált terhelés az IN-2681 tálca esetén áll fenn.

STERRAD® 100NX® Express ciklus, kendő

Az InstruSafe® műszervédő rendszerhez tartozó kazetták az egészségügyi szolgáltatók által sterilizált más orvostechnikai eszközök rendezésére és megővésére szolgálnak. Az InstruSafe műszervédő rendszerhez tartozó kazetták rendeltetése az azokban elhelyezett orvostechnikai eszközök sterilizálásának lehetővé tétele a Sterrad® 100NX Express ciklus során. Az InstruSafe műszervédő rendszerhez tartozó kazetták jogszzerűen forgalmazott csomagolással együtt használhatók. Az InstruSafe műszervédő rendszerhez tartozó kazetták rendeltetésük szerint önmagukban nem alkalmasak a sterilitás fenntartására. A Sterrad 100NX Express ciklus tekintetében az InstruSafe műszervédő rendszer nem rendelkezik lumenre vonatkozó adatokkal.

STERRAD® 100NX® Flex sterilizációs ciklus, kendő és Aesculap® merev tárolóegység

InstruSafe® műszervédő rendszerhez tartozó kazetták az egészségügyi szolgáltatók által sterilizált más orvostechnikai eszközök rendezésére és megővésére szolgálnak. Az InstruSafe műszervédő rendszerhez tartozó kazetták rendeltetése az azokban elhelyezett orvostechnikai eszközök sterilizálásának lehetővé tétele a Sterrad 100NX Flex rendszerrel végzett sterilizálási ciklus során. Az InstruSafe műszervédő rendszerhez tartozó kazetták hivatalosan forgalmazott csomagolással vagy Aesculap merev tárolóegységekkel együtt használhatók. Az InstruSafe műszervédő rendszerhez tartozó kazetták rendeltetésük szerint önmagukban nem alkalmasak a sterilitás fenntartására. Az eszközmodellek teljes felsorolása az A mellékletben található.

STERRAD 100NX Flex sterilizálási ciklus	
Summit kazetta modell	Aesculap tárolóegység modell
IN-0000	*JM440
IN-6105	*JM440

**A Summit Medical által KIZÁRÓLAG a STERRAD 100NX Flex sterilizálási ciklusban való használatra validálva. Tekintse át a tárolóegység útmutatóját annak biztosítása érdekében, hogy a tartalom nem haladja -e meg a sterilizációs tárolóegység rendeltetés szerinti terhelhetőségi adatait.*

A lumen adatai a STERRAD 100NX Flex sterilizálási ciklus esetében				
Summit kazetta modell	Minimális belső átmérő	Maximális hosszúság	Lumenek száma	Csomagolás/Merev Tárolóegység
IN-0000	1 mm	850 mm	1	Csomagolás + merev tárolóegység
IN-8823	1 mm	850 mm	1	Csomagolás + merev tárolóegység
IN-7344	1 mm	850 mm	1	Csomagolás
IN-6105	4 mm	235 mm	1	Csomagolás + merev tárolóegység

A térfogat tömörítési arányára vonatkozó számítás alapján a legrosszabb esetre validált terhelés az IN-0000 tálca esetén áll fenn.

Megjegyzés: Az IN-0000 tálca kizárólag vizsgálati célokat szolgál.

HASZNÁLATI JAVALLATOK (folytatás)

AMSCO® V-PRO® alacsony hőmérsékletű sterilizálási ciklusok, kendő és Aesculap® merev tárolóegység

Az InstruSafe® műszervédő kazetták az egészségügyi szolgáltató által sterilizált egyéb orvosi eszközök rendszerezésére és védelmére szolgálnak. Az InstruSafe műszervédő kazetták célja, hogy lehetővé tegyék a mellékelt orvosi eszközök sterilizálását az AmSCO V-PRO alacsony hőmérsékletű sterilizálási ciklusok során. Az InstruSafe műszervédő rendszerhez tartozó kazetták hivatalosan forgalmazott csomagolással vagy Aesculap merev tárolóegységekkel együtt használatosak. Az InstruSafe műszervédő rendszerhez tartozó kazetták rendeltetésük szerint önmagukban nem alkalmasak a sterilitás fenntartására. Az eszközmodellek teljes felsorolása az A mellékletben található.

AMSCO V-PRO alacsony hőmérsékletű sterilizáló rendszer			
Sterilizáló	Standard ciklus	Lumenes ciklus	Nem lumenes ciklus
V-PRO 1	X	N a.	N a.
V-PRO 1 PLUS	N a.	X	X
V-PRO maX	N a.	X	X
V-PRO maX 2	N a.	X	X
Summit kazetta modell		Aesculap tárolóegység modell	
IN-8823		*JM444	
IN-6105		*JM742	
*A Summit Medical által KIZÁRÓLAG az AMSCO V-PRO alacsony hőmérsékletű sterilizáló rendszerekkel való használatra validálva. Amikor steril határfelületként Aesculap tárolóegységet használ, a terhelés (a Summit tálca és annak tartalma) nem haladhatja meg a terhelési adatokat tárolóegység tömegére és a terhelés típusára tekintettel.			

A validált műszereknél a lumen mérete az alábbiakra terjed ki:			
Summit kazetta modell	Minimális belső átmérő	Maximális hosszúság	Lumenek száma
IN-8823	3 mm	400 mm	2
IN-6105	3 mm	200 mm	1
IN-2681	1 mm	64 mm	1
Megjegyzés: A térfogat tömörítési arányára vonatkozó számítás alapján a legrosszabb esetre validált terhelés az IN-2681 tálca esetén áll fenn.			

HASZNÁLATI JAVALLATOK (folytatás)

VP4 Sterizone, kendő és Aesculap® merev tárolóegység

Az InstruSafe® műszervédő rendszerhez tartozó kazetták (tálcák) az egészségügyi szolgáltató által sterilizált egyéb orvostechikai eszközök rendszerezésére és megóvására szolgálnak. Az InstruSafe műszervédő rendszerhez tartozó kazetták arra szolgálnak, hogy lehetővé tegyék a mellékelt orvostechikai eszközök sterilizálását a STERIZONE VP4 sterilizációs ciklus 1. ciklusa során. Az InstruSafe műszervédő rendszerhez tartozó kazetták hivatalosan forgalmazott csomagolással vagy Aesculap merev tárolóegységekkel együtt használhatók. Az InstruSafe műszervédő rendszerhez tartozó kazetták rendeltetésük szerint önmagukban nem alkalmasak a sterilitás fenntartására.

A Summit Medical validálta az InstruSafe műszervédő rendszer kazettáinak használatát a STERIZONE VP4 sterilizátor 1. ciklusában, a sterilizálás hatékonyságának bemutatásával, orvosi eszközök reprezentatív mintáival, beleértve általános műszereket, merev és félmerev lumenes műszereket és hajlékony endoszkópokat. A validálás olyan információkat szolgáltatott, amelyeket az InstruSafe műszervédő rendszer kazettáira vonatkozó tervezési határértékek megállapításához használtak fel annak biztosítása érdekében, hogy minden modell a kazetta szellőzése, belső rekeszei és súlya tekintetében a validált határértékeken belül maradjon:

- Minimális szellőzés-térfogat arány, általános műszerek: 0,073
- Minimális szellőzés-térfogat arány, hajlékony endoszkópok: 0,263
- A belső rekeszek maximális száma: Kettő (2)
- A kazetta maximális súlya (a tartalommal együtt): 25 font/kazetta

A validált terhelésekért az InstruSafe műszervédő rendszer kazettáinak használata során lásd az alábbi táblázatot. A sterilizátor gyártójának használati útmutatója alapján ellenőrizze, hogy a terhelések nem lépik-e túl a sterilizátorra megadott határértékeket.

Az InstruSafe műszervédő rendszer terheléseinek leírása.

A STERIZONE® VP4 sterilizáló validált terhelési száma: (K190260)	Summit Medical validált terhelés leírása	Teljes terhelés súlya (kivéve a 25 font súlyú rakodóállványt)
4	<p>4a terhelés: A merev és félmerev csatornás műszerek terhelési határértékéből áll:</p> <ul style="list-style-type: none"> • Három (3) kétszörös félmerev endoszkóp (ureteroszkóp - 0,7 mm × 500 mm és 1,1 mm × 500 mm) kazettánként egy (1) csomagolással, három (3) IN 7323-R kazettában. • További merev csatornás műszereket adtak hozzá, hogy összesen 15 csatornát érjenek el. <p>Minden kazetta megfelelő szilikon műszertartókat tartalmazott, és be volt csomagolva.</p> <p>4b terhelés: A merev és félmerev csatornás műszerek terhelési határértékéből áll:</p> <ul style="list-style-type: none"> • Három (3) kétszörös félmerev endoszkóp (ureteroszkóp - 0,7 mm × 400 mm és 1,1 mm × 400 mm) kazettánként egy (1) csomagolással, három (3) IN-0007-TF kazettában. • További merev csatornás műszereket adtak hozzá, hogy összesen 15 csatornát érjenek el. <p>Minden kazetta megfelelő szilikon műszertartókat tartalmazott, és egy Aesculap JM440 merev tárolóegységben volt elhelyezve.</p>	<p>4a terhelés = 5 font/kazetta, 15 font összesen</p> <p>4b terhelés= 11 font/kazetta, 33 font összesen</p>
7	<p>Summit Medical 7a terhelés validálás: A következő geometriákat képviselő általános orvosi műszerek terhelési súlyhatárából áll:</p> <ul style="list-style-type: none"> • Dobozzár zsanér • Forgózszer • Luer-zár <p>Az általános orvosi műszereket három (3) IN-7323-R kazettában helyezték el, megfelelő szilikon tartókkal, amelyek mindegyike 25 fontot nyomott. A kazetták be voltak csomagolva.</p> <p>Summit Medical 7b terhelés validálás: A következő geometriákat képviselő általános orvosi műszerek terhelési súlyhatárából áll:</p> <ul style="list-style-type: none"> • Dobozzár zsanér • Forgózszer • Luer-zár <p>Az általános orvosi műszereket három (3) IN-0006-TF kazettában helyezték el, megfelelő szilikon tartókkal. A kazettákat Aesculap JM440 tárolóegységekbe helyezték, amelyek egyenként 25 fontot nyomtak.</p>	<p>7a terhelés = 25 font/kazetta 75 font összesen</p> <p>7b terhelés= 25 font/kazetta 75 font összesen</p>
8	<p>Summit Medical 8a terhelés validálás: Összesen öt (5) hajlékony endoszkópcsatorna terhelhetőségi határértékéből áll becsomagolt kazettákban:</p> <ul style="list-style-type: none"> • Két (2) kétszörös hajlékony endoszkópot (ureteroszkóp - 1 mm × 850 mm és 1 mm × 989 mm) csomagoltak, kazettánként egyet (1), IN-0003-R kazettákba. • Egy (1) egyszörös hajlékony endoszkópot (ureteroszkóp - 1 mm × 850 mm) csomagoltak egy IN-0004-R kazettába. <p>A kazetták megfelelő szilikon tartókat tartalmaztak, és be voltak csomagolva.</p> <p>Summit Medical 8b terhelés validálás: Összesen négy (4) teljesen hajlékony endoszkópcsatorna terhelhetőségi határértékéből áll merev tárolóegységbe csomagolt kazettákban:</p> <ul style="list-style-type: none"> • Két (2) kétszörös hajlékony endoszkópot (ureteroszkóp - 1 mm × 850 mm és 1 mm × 989 mm) csomagoltak, kazettánként egyet (1), megfelelő szilikon tartókkal ellátott IN-0003-TF kazettákba. <p>Minden kazettát egy Aesculap JM442 tárolóegységbe helyeztek.</p>	<p>8a terhelés = 4,3 font/kazetta, 13 font összesen</p> <p>8b terhelés= 8,3 font/kazetta, 25 font összesen</p>

TÁROLÁS

A kendőbe vagy tárolóegységbe helyezett negyedévente sterilizált kazettákat a tárolópolcon vízszintes helyzetben tárolja. Az eltarthatóság tekintetében egyeztessen a csomagolás vagy tárolóegység gyártójával.

ÁRTALMATLANÍTÁS

Abban az esetben, ha az InstruSafe® műszervédő rendszerek használat előtt nem felelnek meg az ellenőrzésen, vagy más miatt már nem felelnek meg a célnak, az eszközöket a helyi protokollnak megfelelően kell ártalmatlanítani. Az ártalmatlanítás módja az ártalmatlanítás szükségességének megállapításakor a keresztszennyeződés és a fertőzés lehetséges kockázataitól függ.

SÚLYOS ESEMÉNYEK JELENTÉSE

Az eszközzel kapcsolatban bekövetkezett minden súlyos eseményt jelenteni kell a gyártónak és az FDA-nak/a felhasználó és/vagy a beteg letelepedése szerinti tagállam illetékes hatóságának.

SZAVATOSSÁG

A SUMMIT MEDICAL INSTRUSAFE MŰSZERVÉDŐ RENDSZERRE VONATKOZÓ, KORLÁTOZOTT JÓTÁLLÁS.

JELEN KORLÁTOZOTT SZAVATOSSÁG, VALAMINT AZ ANNAK ALAPJÁN BIZTOSÍTOTT JOGORVOSLATOK KIZÁRÓLAGOSAK, TOVÁBBÁ MINDEN MÁS, KIFEJEZETT SZAVATOSSÁGOT HELYETTESÍTENEK, ILLETVE - AMENNYIBEN AZT JELEN DOKUMENTUM MÁSKÉPPEN NEM RÖGZÍTI - A MÁS SZEMÉLYEK VAGY VÁLLALATOK ÁLTAL TETT, VONATKOZÓ KIJELENTÉSEK ÉS NYILATKOZATOK ÉRVÉNYTELENEK. AZ ÉRTÉKESÍTHETŐSÉGRE VAGY MEGHATÁROZOTT CÉLRA VALÓ ALKALMASSÁGRA VONATKOZÓ, BÁRMELY HALLGATÓLAGOS JÓTÁLLÁS A KIFEJEZETT KORLÁTOZOTT JÓTÁLLÁS IDŐTARTAMÁRA KORLÁTOZÓDIK. SEM A SUMMIT MEDICAL, SEM ANNAK KAPCSOLT VÁLLALKOZÁSAI NEM FELELŐSEK AZ INSTRUSAFE RENDSZER HASZNÁLATÁBÓL, ESETLEG HASZNÁLAT ELLEHETETLENÜLÉSÉBŐL EREDŐ VÉLETLEN, KÖVETKEZMÉNYES VAGY EGYEDI VESZTESÉGEKÉRT VAGY KÁROKÉRT, FÜGGETLENÜL ATTÓL, HOGY AZ A SZAVATOSSÁG MEGSÉRTÉSE VAGY BÁRMELY MÁS JOGI KÖRÜLMÉNY NYOMÁN MERÜL FEL.

Jelen korlátozott jótállás konkrét törvényes jogokat biztosít, amelyeket további - az egyes államokban esetlegesen eltérő - jogok egészítenek ki. Egyes államok nem teszik lehetővé a hallgatóság szavatosság időtartamára vonatkozó korlátozásokat, vagy nem engedélyezik a véletlen vagy következményes károk kizárását, ezért az ilyen korlátozások vagy kizárások nem feltétlenül vonatkoznak Önre.

Mire terjed ki a jótállás? A Summit Medical szavatolja az eredeti vásárló számára, hogy a jelen korlátozott szavatossággal érintett InstruSafe rendszer megfelel a gyártó specifikációinak, továbbá az eredeti vásárlás időpontjától számított 12 hónapos időtartamon keresztül a gyártási és anyaghibáktól mentes. Amennyiben az eredeti vásárló az InstruSafe rendszer másra átruházza, úgy jelen korlátozott szavatosságot a termék átruházásával érintett másik fél nem érvényesítheti.

Mit teszünk az esetleges problémák javítása érdekében? Amennyiben az InstruSafe rendszer hibásnak bizonyulna ezen időtartam alatt, Önnek a Summit Medical vállalatot, esetleg a Summit Medical jogosított forgalmazóját vagy kereskedőjét kell értesítenie. Engedélyeznie kell, hogy a Summit Medical vagy annak képviselője a Summit Medical által megfelelőnek ítélt vizsgálatokat, ellenőrzéseket és tesztek elvégezze, továbbá - kérésére - Önnek vissza kell küldenie a terméket a gyárba, az alábbiakban meghatározott címre. Jelen korlátozott jótállás alapján a Summit Medical kizárólagos kötelezettsége, hogy saját belátása szerint javítsa vagy kicserélje a hibás terméke(ke)t az alkatrészek vagy a munkavégzés tekintetében díj felszámolása nélkül. Az InstruSafe rendszer részét képező termékeknek a szavatossági szolgáltatásra való visszaküldésével összefüggésben felmerülő posta-, biztosítási vagy szállítási költségeket Ön fedezi.

Mire nem terjed ki a jótállás? Jelen korlátozott szavatosság a termék megfelelő használatától és karbantartásától függ; nem terjed ki a nem megfelelően szállított, nem megfelelően használt, elmaradt vagy nem megfelelő karbantartással, tisztítással vagy tárolással érintett, valamint azon termékekre, amelyeket nem a Summit Medical vagy a Summit Medical jogosított forgalmazója vagy kereskedője szervizelt, illetve amelyeket a Summit Medical kifejezett jóváhagyása nélkül módosítottak. A tulajdonosnál lévő kézikönyvben rögzített útmutatások betartásának elmaradása a termék nem megfelelő használatának vagy karbantartásának minősülhet, és ekként érvénytelenítheti a jelen korlátozott jótállást. Jelen jótállás nem terjed ki a rendes kopásra és elhasználódásra, illetve a cserealkatrészekre.

Amennyiben jelen szavatossággal összefüggésben kérdése vagy igénye merül fel, vegye fel a kapcsolatot a következőkkel:

Ügyfélszolgálati Osztály
Summit Medical
815 Vikings Parkway, Suite 100
St. Paul, MN 55121 | USA
www.instrusafe.com

TELEFON: 651-789-3939 | 888-229-2875
FAX: 651-789-3979 | 888-229-1941
EMAIL: customerservice@innoviamedical.com

Pribalené pokyny boli výrobcom zariadenia potvrdené ako schopné opätovného spracovania opakovane použiteľných zdravotníckych zariadení.

Jednotlivé sterilizátory, čistota nástrojov, konkrétne zaťaženie podnosov na nástroje, typy a geometria nástrojov, sterilizačné nádoby, filtre a obaly sa v každom mieste líšia.

PRED UVEDENÍM PRODUKTU DO PREVÁDZKY SI PREČÍTAJTE TÚTO ČASŤ

ZHRNUTIE ZAMÝŠLANÉHO POUŽITIA/INDIKÁCIÍ NA POUŽITIE

Kazety/zásobníky systémov ochrany prístrojov InstruSafe® sú určené na uchovávanie a ochranu zdravotníckych pomôcok na opakované použitie počas prepravy, sterilizácie a skladovania. Jednotlivé sterilizátory, čistota nástrojov, konkrétne zaťaženie podnosov na nástroje, typy a geometria nástrojov, sterilizačné nádoby, filtre a obaly sa v každom mieste líšia. Kazety/zásobníky systému ochrany nástrojov InstruSafe sú určené na to, aby umožňovali sterilizáciu uzavretých zdravotníckych zariadení počas týchto cyklov sterilizácie:

- Predvákuová para (ISO 17665-1 a EN 285)
- Etylénoxid (ISO 11135)
- Overená nízkoteplotná sterilizácia (ISO 14937) t. j.
 - STERRAD® 100S Standard (krátky) ▪ STERIS® AMSCO® V-PRO 1®, V-PRO 1 Plus, V-PRO maX a V-PRO maX 2
 - STERRAD® 100NX® Express, Standard a Flex ▪ Sterizone® VP4
 - STERRAD® NX® Standard

Kazety/podnosy systému ochrany nástrojov InstruSafe nie sú určené na udržiavanie sterility. Kazety/zásobníky systému ochrany nástrojov InstruSafe sú určené na použitie v spojení so schváleným predávaným obalom, pevnými nádobami Aesculap® alebo pevnými nádobami Genesis™.

Sterilizačné kontajnery InstruSafe boli validované na použitie s kazetami/podnosmi InstruSafe Instrument Protection System (predvakuum, 132 °C (270 °F), iba 4-minútový cyklus sterilizácie parou) podľa 510(k) K180528. Ďalšie informácie nájdete v návode na použitie sterilizačnej nádoby InstruSafe®.

Úplný zoznam modelov prístrojov je uvedený v prílohe A, ktorú si môžete pozrieť na adrese www.instrusafe.com/ifus.

POPIS ZARIADENIA

Systémy ochrany nástrojov Summit Medical InstruSafe sú kazety/podnosy, ktoré sa používajú na organizované uzavretie a uchovávanie chirurgických nástrojov a príslušenstva nástrojov počas sterilizačného procesu a následné skladovanie a prepravu. Kazety/podnosy nemajú priamy kontakt s pacientom. Kazety/podnosy samy o sebe nezachovávajú sterilitu. Kazety/podnosy sú rôznych veľkostí rovnakej základnej konfigurácie: obdĺžnikový podstavec so západkovým krytom. Kazety/podnosy majú perforácie, ktoré umožňujú vnikanie sterilizačného prostriedku. Kazety/podnosy obsahujú silikónové vložky v základni a/alebo obale na držanie, organizovanie a ochranu chirurgických nástrojov v kazete/podnose počas procesu sterilizácie a následného skladovania a prepravy.

ZAMÝŠLANÝ POUŽÍVATEĽ

Systémy ochrany prístrojov InstruSafe® sú určené pre zdravotníckych pracovníkov na operačnej sále a sterilnom oddelení spracovania na prepravu, sterilizáciu a skladovanie zdravotníckych pomôcok.

OBMEDZENIE SPRACOVANIA

1. Koniec životnosti nástroja Systému ochrany nástrojov InstruSafe je minimálne po 25 cykloch sterilizácie. Pred použitím skontrolujte podnos, či nie je opotrebovaný, alebo poškodený v dôsledku používania. Ak sú prítomné viditeľné známky opotrebovania, vrátane korózie, mechanických porúch, praskania, lúpania, odlupovania, prasknutých zvarov, poškodených nôh, poškodených západiek, poškodeného systému Hold-Its®/Hold-Downs, straty sfarbenia a pod., prestaňte zariadenie používať.
2. Pozrite **Tabuľku 2**, kde nájdete metódy a konfigurácie sterilizácie.
3. **NEPREŤAŽUJTE** systémy alebo komponenty InstruSafe.
4. **NEPREŤAŽUJTE** jednotlivé štrbiny systému Hold-Its. Do jednej štrbiny systému Hold-Its® vkladajte iba jeden nástroj.
5. Pre používateľov pevných nádob: **NEZABALUJTE** systémy ani komponenty InstruSafe a umiestnite ich do nádoby na sterilizáciu.
6. Vo vnútri sterilizátorov **NESTOHUJTE** jednotlivé zabalené alebo do nádob vložené systémy ani komponenty InstruSafe. Zabalené alebo do nádob vložené systémy alebo komponenty InstruSafe oddelíte od seba navzájom alebo od akýchkoľvek iných položiek na samostatných poličkách sterilizátora. Umožníte tak maximálny prietok sterilizačného prostriedku.
7. Použitie neabsorpčných vložiek podnosu (napr. silikónovej organizačnej rohožky s výstupkami) môže spôsobiť akumulovanie kondenzátu. Ak je prítomná viditeľná vlhkosť, zopakujte sterilizáciu s dlhším časom sušenia.
8. Celková hmotnosť systému nádob (napr. nádoba, zásobník a zaťaženie nástrojmi) nesmie prekročiť 11,34 kg (25 lb).
9. Nástroje (napr. endoskopy a nástroje s lúmenmi alebo kanálmi) sa musia pripravovať a sterilizovať podľa pokynov výrobcu nástroja.
10. Je zodpovednosťou spracovateľa udržiavať špecifické validácie pre proces terminálnej sterilizácie, ktorý sa aplikuje na konfigurácie nástrojov a nádob, ktoré sa predkladajú sterilizačnému procesu.
11. Ďalšie obmedzenia (napr. rozmerové alebo hmotnostné obmedzenia) nájdete v návode na použitie od výrobcu sterilizátora.

VÝSTRAHY

- V prípade hliníkových systémov InstruSafe používajte iba čistiace prostriedky s neutrálnym pH (6,0 – 8,5), predídete tak poškodeniu povrchovej úpravy. Čistiaci prostriedok s vysoko kyslým alebo vysoko zásaditým pH by mohol natrvalo poškodiť eloxovaný hliníkový povrch kazety a kovových komponentov.
- Nepoužívajte, ak je obal pred použitím poškodený alebo neúmyselne otvorený.

Poznámka: Pred uvedením do prevádzky vyčistite a skontrolujte kazety podľa priložených pokynov.

UNIVERZÁLNE BEZPEČNOSTNÉ OPATRENIA

- Personál musí používať všetok osobný ochranný odev a vybavenie podľa požiadaviek prevádzkových postupov zamestnávateľa/ oddelenia pre úroveň kontaminácie, ktorej bude vystavený.
- Počas sterilizácie udržiavajte jednotlivé kovy oddelené, aby nedochádzalo ku korózii.

MIESTO POUŽITIA

Hrubé znečistenie odstráňte jednorazovou alebo papierovou utierkou. Kontaminované komponenty je potrebné udržiavať vlhké, kým sa nebudú môcť použiť kvalifikované čistiace procesy.

ČISTENIE

Špecifické pokyny na čistenie prístrojov v kazetách nájdete v návode výrobcu prístroja.

Odporúča sa vyčistiť kazetu/podnos pomocou jednej z nasledujúcich overených možností čistenia.

Používajte iba roztoky s neutrálnym pH (6,0 – 8,5) a bez uhličitanu sodného, aby nedošlo k poškodeniu povrchovej úpravy hliníkových kaziet.

NEPOUŽÍVAJTE drôtenky ani abrazívne čistiace prostriedky. **NESKLADUJTE** kazetu v tekutine.

1. Manuálna hrubá dekontaminácia:

- A. Potrebné materiály: Enzymatický čistiaci prostriedok s neutrálnym pH (6,0 – 8,5), kefka s mäkkými štetinami a tečúca voda.
- B. Pomocou mäkkej kefy odstráňte všetku viditeľnú nečistotu a kontaminanty. Počas čistenia musí byť celá kazeta ponorená minimálne 2 minúty, uľahčí sa tak odstraňovanie nečistôt a eliminuje sa postriekanie personálu čistiacim prostriedkom.
- C. Oplachujte dôkladne minimálne 1 minútu čistou vodou, aby sa odstránil všetok čistiaci prostriedok. Pozrite pokyny na oplachovanie na štítku čistiaceho prostriedku.

2. Ultrazvukové čistenie:

- A. Pripravte enzymové umývanie v ultrazvukovej čistiacej jednotke.
- B. Vložte jednu kazetu do čistiaceho prostriedku a nechajte bežať najmenej desať minút.
- C. Oplachujte minimálne 2 minúty studenou vodou z vodovodu.
- D. Vizualne skontrolujte, či v kazete nie sú kontaminanty. V prípade potreby cyklus zopakujte, aby sa odstránilo viditeľné znečistenie.

3. Automatická umývačka:

Systémy ochrany nástrojov InstruSafe sú overené pre cyklus automatického umývacieho systému uvedeného v **Tabuľke 1**. Kvalifikáciu špecifických parametrov bude musieť vykonať spracovateľ.

Tabuľka 1

CYKLUS	TEPLOTA VODY	PROCES ČISTENIA
Predumývanie 1 a 2	Studená voda z vodovodu	Čas recirkulácie: 2 minút
Enzymové umývanie	Horúca voda z vodovodu	Čas namáčania: 4 minút
Umývanie 1	Ohrev na 65,5 °C (150 °F)	Čas recirkulácie: 15 minút
Opláchnutie 1 a 2	Horúca voda z vodovodu	Čas recirkulácie: 5 minút

Poznámka: Po dokončení cyklu automatického umývania vizuálne skontrolujte systém InstruSafe (kazetu a príslušenstvo), či neobsahuje zvyšky viditeľnej nečistoty. Pred odoslaním na sterilizáciu sa musia všetky viditeľné nečistoty odstrániť ručným čistením, kefkou, ultrazvukom alebo ďalšími automatickými cyklami.

DEZINFEKCIA

Systémy InstruSafe sú určené na terminálnu sterilizáciu.

ÚDRŽBA, KONTROLA A TESTOVANIE

Systémy InstruSafe možno používať opakovane, až kým nenastane neprijateľná degradácia, napríklad korózia, praskanie, hrdza, lúpanie, odlupovanie, strata sfarbenia alebo mechanická porucha.

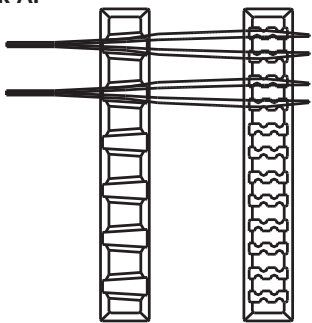
Medzi príznaky mechanického zlyhania patria:

- odlomené alebo prasknuté rohy alebo zvary,
- odlomené alebo nefunkčné západky,
- chýbajúce, roztrhnuté alebo odrezané silikónové vložky,
- chýbajúce alebo poškodené nožičky.

MONTÁŽ

1. Nástroje umiestnite do vopred určených držiakov alebo do priestoru definovaného polohovacími stĺpkami tak, aby všetky povrchy nástrojov boli vystavené sterilizačnému prostriedku. Pozrite **Obrázok A**. Uistite sa, že v každej štrbine je iba jeden nástroj. Pokiaľ je to možné, rozoberte alebo otvorte všetky súčasti prístrojového vybavenia podľa pokynov výrobcu prístroja. **NEPREŤAŽUJTE držiaky ani neprekračujte hmotnostné limity kaziet. Pozrite Prílohu A.**

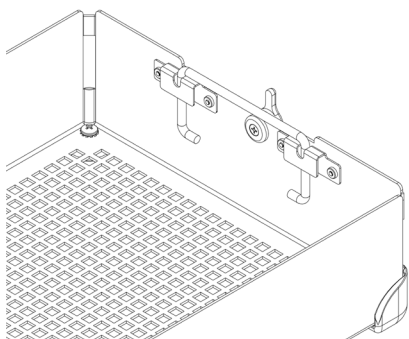
Obrázok A.



Poznámka: Nástroje (napr. endoskopy a prístroje s lúmenmi alebo kanálmi) je potrebné pripraviť a sterilizovať podľa pokynov výrobcu na použitie.

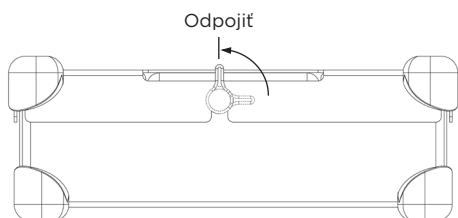
2. Skontrolujte, či sú rukoväte umiestnené vo vnútri kazety (zatiehnutá poloha). Zobrazuje **Obrázok B**.

Obrázok B.



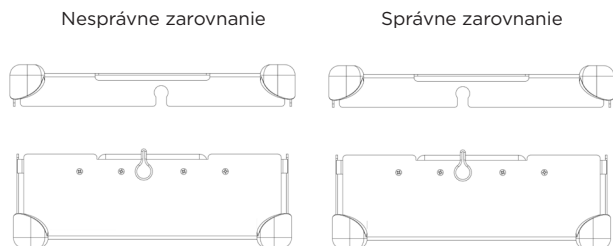
3. Nasadte kryt kazety na základňu kazety a uistite sa, že sú západky správne umiestnené so štrbinou západky na kryte kazety, potom západky zatvorte. Pozrite **Obrázok C**.

Obrázok C.



Poznámka: Západky sú odsadené tak, že kryt kazety je vždy správne zarovnaný so základňou. To zaisťuje, že držiaky budú pri zaistení krytu zarovnané. Pozrite **Obrázok D**, kde nájdete správne zarovnanie. **NETLAČTE kryt kazety na základňu kazety násilu, mohlo by to poškodiť nástroje a kazetu.**

Obrázok D.



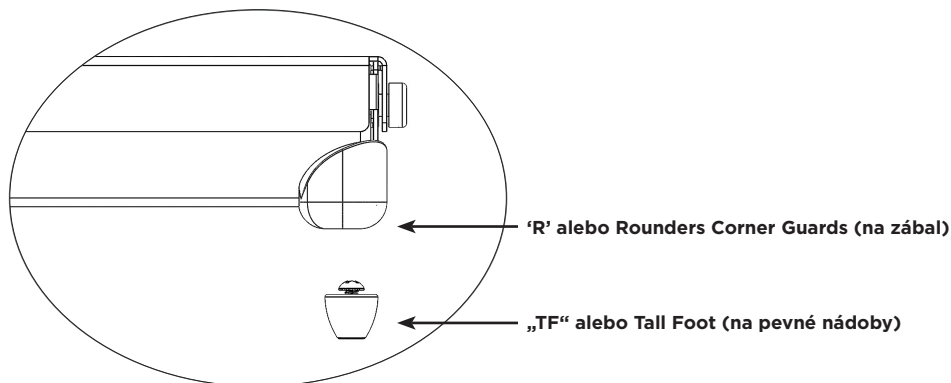
BALENIE

Systémy InstruSafe môžu byť zabalené do schváleného predávaného obalu alebo umiestnené do legálne predávaného tuhého obalu. Pozrite vyhlásenia Indikácie použitia, ktoré nájdete v Návode na použitie.

Použitie s obalom:

1. Pred zabalením kazety sa uistite, že má správny tvar pôdorys. R sa musí používať s obalom. Pozrite **Obrázok F**.

Obrázok F.



2. Zabaľte kazetu pomocou schválených predávaných obalov a podľa pokynov výrobcu zábalu.

3. Balenie sterilizujte pomocou jedného zo cyklov sterilizácie uvedených v Návode na použitie.

Použitie s pevnou nádobou:

Pozrite vyhlásenia Indikácie použitia, ktoré nájdete v Návode na použitie.

1. Pred vložením kazety do pevnej nádoby sa uistite, že má správny tvar nožičiek. TF sa musí používať s pevnou nádobou. Pozrite **Obrázok F**.

2. Vložte kazetu do pevnej nádoby. Pri uzatváraní nádoby postupujte podľa pokynov výrobcu nádoby.

Poznámka: Pred vložením do nádoby na sterilizáciu kazety nezabaľuje.

3. Nádobu a obsah sterilizujte pomocou jedného zo sterilizačných cyklov uvedených v Návode na použitie.

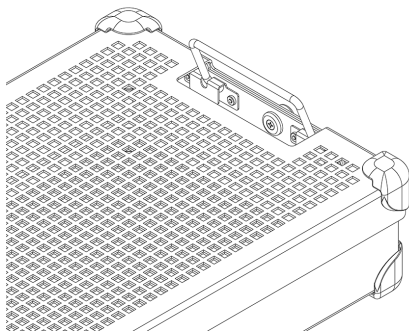
Ďalšie informácie:

Pri aseptickom vyberaní kazety z pevnej nádoby postupujte podľa pokynov výrobcu nádoby.

1. S použitím rukavíc umiestnite dlane smerom von a siahnite cez otvory v kryte kazety.

2. Uchopte rukoväť kazety a zdvihnite ich do zvýšenej polohy. Pozrite **Obrázok G**.

Obrázok G.



3. Rukoväť nakloňte smerom dovnútra od bočných strán pevnej nádoby a opatrne vyberte kazetu z nádoby tak, aby ste sa nedotkli jej hornej alebo vonkajšej strany.

4. Kazetu vložte na sterilný povrch.

STERILIZÁCIA

Pozrite **Tabuľku 2**, kde nájdete parametre sterilizácie, ktoré boli overené na sterilizáciu systémov InstruSafe.

Tabuľka 2.

METÓDA STERILIZÁCIE	CYKLUS (časy)
Predvákuová para	Parameter: Teplota 132 °C (270 °F) Čas pôsobenia 4 minúty Čas sušenia 30 minút
Etylénoxid (EO)	Stabilizácia: Teplota 55 °C (131 °F) Relatívna vlhkosť 70 ±15 % Čas stabilizácie 1 hodina Sterilizácia: Čas vystavenia 120 minút Teplota 55 °C (131 °F) Čas prevzdušňovania 12 hodín
STERRAD 100S	<i>Standard</i>
STERRAD 100NX	<i>Standard, Express, Flex</i>
STERRAD NX	<i>Standard</i>
STERIS AMSCO V-PRO 1	<i>Standard</i>
STERIS AMSCO V-PRO 1 PLUS	<i>Lúmenový, Nelúmenový</i>
STERIS AMSCO V-PRO maX	<i>Lúmenový, Nelúmenový</i>
STERIS AMSCO V-PRO maX 2	<i>Lúmenový, Nelúmenový</i>
Sterizone VP4	<i>Cyklus 1</i>

Summit Medical potvrdil nasledujúce metódy sterilizácie:

- 4-minútový cyklus sterilizácie v autokláve v oficiálne predávaných obaloch, sterilizačnej nádobe InstruSafe, pevných nádobách Aesculap alebo pevných nádobách Genesis schválených podľa FDA. Pod číslom K180528 bola sterilizačná nádoba InstruSafe validovaná na použitie s kazetami/zásobníkmi systému ochrany nástrojov InstruSafe.
- Cyklus sterilizácie etylénoxidom (EO) v oficiálne predávanom obale a sterilnej nádobe Genesis schválenej úradom FDA.
- Cyklus sterilizácie STERRAD 100S Standard v oficiálne predávanom obale a pevnej nádobe Aesculap schválenej podľa FDA.
- Cyklus sterilizácie STERRAD 100NX Standard v oficiálne predávanom obale a pevnej nádobe Aesculap schválenej podľa FDA.
- Cyklus sterilizácie STERRAD 100NX Express v oficiálne predávanom obale, schválenom úradom FDA.
- Cyklus sterilizácie STERRAD 100NX Flex v oficiálne predávanom obale a pevnej nádobe Aesculap schválenej úradom FDA.
- Cyklus sterilizácie STERRAD NX Standard v oficiálne predávanom obale a pevnej nádobe Aesculap schválenej úradom FDA.
- Cykly sterilizácie STERIS AMSCO V-PRO 1, V-PRO 1 PLUS, V-PRO maX a V-PRO maX 2 v oficiálne predávanom obale a pevnej nádobe Aesculap schválených úradom FDA.
- Cyklus sterilizácie Sterizone VP4 Standard v oficiálne predávanom obale a pevnej nádobe Aesculap schválenej podľa FDA.

NEPREKRAČUJTE nosnosť sterilnej nádoby podľa špecifikácií výrobcu.

Na zachovanie sterility používajte príslušenstvo schválené úradom FDA.

Pozrite návod na použitie sterilizátora, kde zistíte, či sú určené zaťaženia kompatibilné s plánovaným cyklom sterilizácie.

Pozrite pokyny v návode na použitie nádoby, kde zistíte, či určené zaťaženie je kompatibilné so záťažami nádoby schválenými úradom FDA.

INDIKÁCIE POUŽITIA

4 Minute Steam, obal a pevná nádoba Aesculap®

Kazety systému ochrany nástrojov InstruSafe® sa používajú na organizáciu a ochranu iných zdravotníckych zariadení, ktoré sú sterilizované poskytovateľom zdravotnej starostlivosti. Kazety systému ochrany nástrojov InstruSafe sú určené na to, aby umožňovali sterilizáciu uzavretých zdravotníckych pomôcok počas cyklu sterilizácie predvákuovej pary. Kazety systému ochrany nástrojov InstruSafe sú určené na použitie so schváleným predávaným obalom alebo pevnou nádobou Aesculap. Kazety systému ochrany nástrojov InstruSafe nie sú určené na udržiavanie sterility.

Parameter sterilizácie v autokláve	
Cyklus	Predvákuová
Teplota	132 °C (270 °F)
Čas vystavenia	4 minúty
Minimálny čas sušenia	30 minút
Model kazety Summit	Model nádoby Aesculap
IN-8823-AE	*JN444
IN-2880	*JK444
IN-6105	*JN742
*Schválené spoločnosťou Summit Medical na použitie VÝHRADNE v predvákuových parných sterilizátoroch pracujúcich pri teplote 132 °C (270 °F) po dobu vystavenia 4 minúty. Pozrite pokyny k nádobe na kontrolu, že obsah neprekračuje určené nároky na záťaž sterilizačnej nádoby.	

Nároky na lúmen pre 4-minútový cyklus sterilizácie predvákuovou parou			
Model kazety Summit	Minimálny vnútorný priemer	Maximálna dĺžka	Počet lúmenov
IN-8823-CF	3 mm	400 mm	4
IN-8823-CF	3 mm	200 mm	2
IN-2880	1 mm	76 mm	2
IN-2880	3 mm	177 mm	1
IN-6105	5 mm	241 mm	1
IN-2681	1 mm	65 mm	1
IN-2681	3 mm	200 mm	1
IN-7823	1 mm	400 mm	17

4-minútová sterilizácia parou, pevná nádoba Genesis™

Kazety systému ochrany nástrojov InstruSafe® sa používajú na organizovanie a ochranu iných zdravotníckych zariadení, ktoré sú sterilizované poskytovateľom zdravotnej starostlivosti. Kazety systému ochrany nástrojov InstruSafe sú určené na to, aby umožňovali sterilizáciu uzavretých zdravotníckych pomôcok počas cyklu sterilizácie predvákuovej pary. Kazety systému ochrany nástrojov InstruSafe sú určené na použitie so schválenými predávanými pevnými nádobami Genesis. Kazety systému ochrany nástrojov InstruSafe nie sú určené na udržiavanie sterility. Kompletný zoznam modelov zariadení je uvedený v Prilohe A.

Nároky na lúmen pre 4-minútový cyklus sterilizácie predvákuovou parou			
Model kazety Summit	Minimálny vnútorný priemer	Maximálna dĺžka	Počet lúmenov
IN-2681	1 mm	65 mm	1
IN-2681	3 mm	200 mm	1
IN-6105	5 mm	241 mm	1
IN-0000	1 mm	400 mm	5
	3 mm	400 mm	1
	5 mm	400 mm	1

INDIKÁCIE POUŽITIA (pokračovanie)

8-minútovú sterilizáciu parou a etylénoxidom (EO), obal a pevná nádoba Genesis™

Kazety systému ochrany nástrojov InstruSafe® sa používajú na organizovanie a ochranu iných zdravotníckych zariadení, ktoré sú sterilizované poskytovateľom zdravotnej starostlivosti. Kazety systému InstruSafe sú určené na to, aby umožňovali sterilizáciu uzavretých zdravotníckych zariadení počas cyklov sterilizácie predvákuovou parou alebo etylénoxidom. Kazety systému InstruSafe sú určené na použitie s centrálnou schváleným predávaným obalom alebo s pevnou nádobou Genesis. Kazety systému InstruSafe nie sú určené na udržiavanie sterility samostatne.

Metódy a konfigurácie sterilizácie

8-minútová stabilizácia pri teplote 132 °C	
140-násobne tkaný zábal	Čas sušenia 10 minút
Netkaný zábal (Kimberly Clark)	Čas sušenia 50 minút
Nádoba Genesis (referenčná Tabuľka 1 obsahujúca odporúčaný filtračný papier)	Čas sušenia 30 minút

Nádoba Genesis	Filtračný papier na nádobu Genesis
CD2-4B	FX3-1: 9x9"
CD2-5B	FX3-1: 9x9"
CD3-4B	FX3-1: 9x9"
CD3-5B	FX3-1: 9x9"
CD3-6B	FX3-1: 9x9"
CD3-7B	FX3-1: 9x9"
CD4-5B	FO3-2: 9x6"
CD5-61B	FO3-2: 9x6"
CD6-6B	FX3-1: 9x9"

Ak používate akúkoľvek pevnú nádobu Genesis, pozrite Prevádzkové pokyny používateľa systému Nádoba sterilizátora V. Mueller Genesis.

Etylénoxid (EO)
• 1-hod. stabilizácia pri teplote 55 °C (131 °F) s relatívnou vlhkosťou 70 ± 15 %
• 2-hod. vystavenie pri teplote 55 °C (131 °F)
• 12-hodinové prevzdušňovanie

Cykly STERRAD® 100S a STERRAD® 100NX® Standard, obal a pevná nádoba Aesculap®

Kazety systému ochrany nástrojov InstruSafe® sa používajú na organizáciu a ochranu iných zdravotníckych zariadení, ktoré sú sterilizované poskytovateľom zdravotnej starostlivosti. Kazety systému ochrany nástrojov InstruSafe sú určené na to, aby umožňovali sterilizáciu uzavretých zdravotníckych zariadení počas týchto cyklov sterilizácie systémami Sterrad 100S Standard a Sterrad 100NX Standard. Kazety systému ochrany nástrojov InstruSafe sú určené na použitie so schváleným predávaným obalom alebo pevnou nádobou Aesculap. Kazety systému ochrany nástrojov InstruSafe nie sú určené na udržiavanie sterility. Kompletný zoznam modelov zariadení je uvedený v Prílohe A.

Nasledujúce sterilizačné podnosy boli overené so zodpovedajúcimi pevnými nádobami:

STERRAD 100S Standard Cycle	
Model kazety Summit	Model nádoby Aesculap
IN-8823-AE	*JM444
IN-6105	*JM440

STERRAD 100NX Standard Cycle	
Model kazety Summit	Model nádoby Aesculap
IN-8823-AE	*JM444
IN-6105	*JM440

* Overené spoločnosťou Summit Medical na použitie VÝHRADNE v systémoch STERRAD 100S Standard Cycle a STERRAD 100NX Standard Cycle. Pozrite pokyny k nádobe na kontrolu, že obsah neprekračuje určené nároky na záťaž sterilizačnej nádoby.

Nároky na lúmen pre cykly STERRAD 100S Standard a STERRAD 100NX Standard	
4 antikorové lúmeny s vnútorným priemerom 3 mm a dĺžkou 400 mm	Všetky modely vhodnej veľkosti sú uvedené v Prílohe A s výnimkou IN-2681.
2 antikorové lúmeny s vnútorným priemerom 3 mm a dĺžkou 200 mm	
1 antikorové lúmeny s vnútorným priemerom 3 mm a dĺžkou 200 mm	IN-2681
1 antikorové lúmeny s vnútorným priemerom 1 mm a dĺžkou 65 mm	

INDIKÁCIE POUŽITIA (pokračovanie)

Cyklus STERRAD® NX® Standard, obal a pevná nádoba Aesculap®

Kazety systému ochrany nástrojov InstruSafe® sa používajú na organizáciu a ochranu iných zdravotníckych zariadení, ktoré sú sterilizované poskytovateľom zdravotnej starostlivosti. Kazety systému ochrany nástrojov InstruSafe sú určené na to, aby umožnili sterilizáciu priložených zdravotníckych pomôcok počas cyklu sterilizácie systémom Sterrad NX Standard. Kazety systému ochrany nástrojov InstruSafe sú určené na použitie so schváleným predávaným obalom alebo pevnou nádobou Aesculap. Kazety systému ochrany nástrojov InstruSafe nie sú určené na udržiavanie sterility. Kompletný zoznam modelov zariadení je uvedený v Prílohe A.

Metódy a konfigurácie sterilizácie –
Cyklus sterilizácie Sterrad NX Standard

Nároky na lúmen pre cyklus sterilizácie STERRAD NX Standard			
Model kazety Summit	Minimálny vnútorný priemer	Maximálna dĺžka	Počet lúmenov
IN-2681	1 mm	65 mm	1
IN-2681	3 mm	200 mm	1
IN-8987-S	1 mm	500 mm	5
IN-8615	2,3 mm	210 mm	5
IN-6105	4 mm	235 mm	1

Poznámka: Overená záťaž v najhoršom prípade na základe výpočtu pomeru výtoku k objemu je podnos IN-2681.

Cyklus STERRAD® 100NX® Express, obal

Kazety systému ochrany nástrojov InstruSafe® sa používajú na organizovanie a ochranu iných zdravotníckych zariadení, ktoré sú sterilizované poskytovateľom zdravotnej starostlivosti. Kazety systému ochrany nástrojov InstruSafe sú určené na to, aby umožňovali sterilizáciu uzavretých zdravotníckych pomôcok počas cyklu Sterrad® 100NX Express. Kazety systému ochrany nástrojov InstruSafe sú určené na použitie so schváleným predávaným obalom. Kazety systému ochrany nástrojov InstruSafe nie sú určené na udržiavanie sterility. Systém ochrany nástrojov InstruSafe nemá žiadne nároky na lúmen pre cyklus Sterrad 100NX Express.

Cyklus sterilizácie STERRAD®100NX® Flex, obal a pevná nádoba Aesculap®

Kazety systému ochrany nástrojov InstruSafe® sa používajú na organizovanie a ochranu iných zdravotníckych zariadení, ktoré sú sterilizované poskytovateľom zdravotnej starostlivosti. Kazety systému ochrany nástrojov InstruSafe sú určené na to, aby umožnili sterilizáciu priložených zdravotníckych pomôcok počas cyklu sterilizácie systémom Sterrad 100NX Flex. Kazety systému ochrany nástrojov InstruSafe sú určené na použitie so schváleným predávaným obalom alebo pevnou nádobou Aesculap. Kazety systému ochrany nástrojov InstruSafe nie sú určené na udržiavanie sterility. Kompletný zoznam modelov zariadení je uvedený v Prílohe A.

Cyklus sterilizácie STERRAD 100NX Flex	
Model kazety Summit	Model nádoby Aesculap
IN-0000	*JM440
IN-6105	*JM440

* Overené spoločnosťou Summit Medical na použitie VÝHRADNE v cykle sterilizácie STERRAD 100NX Flex. Pozrite pokyny k nádobe na kontrolu, že obsah neprekračuje určené nároky na záťaž sterilizačnej nádoby.

Požiadavky na lúmen pre cyklus sterilizácie STERRAD 100NX Flex				
Model kazety Summit	Minimálny vnútorný priemer	Maximálna dĺžka	Počet lúmenov	Zábal/pevná nádoba
IN-0000	1 mm	850 mm	1	Zábal + pevná nádoba
IN-8823	1 mm	850 mm	1	Zábal + pevná nádoba
IN-7344	1 mm	850 mm	1	zábal
IN-6105	4 mm	235 mm	1	Zábal + pevná nádoba

Overená záťaž v najhoršom prípade na základe výpočtu pomeru výtoku k objemu je podnos IN-0000.

Poznámka: Podnos IN-0000 slúži iba na testovacie účely.

INDIKÁCIE POUŽITIA (pokračovanie)

Nízkoteplotné cykly sterilizácie AMSCO® V-PRO®, obal a pevná nádoba Aesculap®

Kazety systému ochrany nástrojov InstruSafe® sa používajú na organizovanie a ochranu iných zdravotníckych zariadení, ktoré sú sterilizované poskytovateľom zdravotnej starostlivosti. Kazety systému ochrany nástrojov InstruSafe sú určené na to, aby umožňovali sterilizáciu uzavretých zdravotníckych zariadení počas nízkoteplotných cyklov sterilizácie Amsco V- PRO. Kazety systému ochrany nástrojov InstruSafe sú určené na použitie so schváleným predávaným obalom alebo pevnou nádobou Aesculap. Kazety systému ochrany nástrojov InstruSafe nie sú určené na udržiavanie sterility. Kompletný zoznam modelov zariadení je uvedený v Prílohe A.

Nízkoteplotné sterilizačné systémy AMSCO V-PRO			
Sterilizátor	Štandardný cyklus	Lúmenový cyklus	Nelúmenový cyklus
V-PRO 1	X	Nie je k dispozícii	Nie je k dispozícii
V-PRO 1 PLUS	Nie je k dispozícii	X	X
V-PRO maX	Nie je k dispozícii	X	X
V-PRO maX 2	Nie je k dispozícii	X	X
Model kazety Summit		Model nádoby Aesculap	
IN-8823		*JM444	
IN-6105		*JM742	
<i>* Overené spoločnosťou Summit Medical VÝHRADNE na použitie v nízkoteplotných sterilizačných systémoch AMSCO V-PRO. Ak ako sterilnú bariéru používate nádobu Aesculap, zaťaženie (podnos Summit a obsah) by nemalo prekračovať nároky na zaťaženie nádoby, pokiaľ ide o hmotnosť alebo typ zaťaženia</i>			

Overená veľkosť lúmenu prístrojového vybavenia zahŕňa:			
Model kazety Summit	Minimálny vnútorný priemer	Maximálna dĺžka	Počet lúmenov
IN-8823	3 mm	400 mm	2
IN-6105	3 mm	200 mm	1
IN-2681	1 mm	64 mm	1
Poznámka: Overená záťaž v najhoršom prípade na základe výpočtu pomeru výtoku k objemu je podnos IN-2681.			

INDIKÁCIE POUŽITIA (pokračovanie)

VP4 Sterizone, obal a pevná nádoba Aesculap®

Kazety (podnosy) systému ochrany nástrojov InstruSafe® sa používajú na organizovanie a ochranu iných zdravotníckych zariadení, ktoré sú sterilizované poskytovateľom zdravotnej starostlivosti. Kazety systému ochrany nástrojov InstruSafe® sú určené na to, aby umožňovali sterilizáciu uzavretých zdravotníckych zariadení počas sterilizačného cyklu 1 STERIZONE VP4. Kazety systému ochrany nástrojov InstruSafe sú určené na použitie so schváleným predávaným obalom alebo pevnou nádobou Aesculap. Kazety systému ochrany nástrojov InstruSafe nie sú určené na udržiavanie sterility.

Spoločnosť Summit Medical overila používanie kaziet InstruSafe Instrument Protection System v cykle 1 sterilizátora STERIZONE VP4 prostredníctvom demonštrácie účinnosti sterilizácie s použitím reprezentatívnych vzoriek zdravotníckych pomôcok vrátane všeobecných nástrojov, pevných a polotuhých nástrojov s lumenami a flexibilných endoskopov. Validácia poskytla informácie, ktoré sa použili na stanovenie konštrukčných limitov, ktoré sa uplatňujú v celom sortimente kaziet InstruSafe Instrument Protection System, aby sa zabezpečilo, že všetky modely spadajú do validovaných limitov pre ventiláciu kaziet, vnútorné police a hmotnosť:

- Minimálny pomer ventilácie k objemu, všeobecné prístroje: 0,073
- Minimálny pomer ventilácie k objemu, pružné endoskopy: 0,263
- Maximálny počet vnútorných políc: dve (2)
- Maximálna hmotnosť kazety (vrátane obsahu): 25 lb/kazeta

Overené záťaže pomocou kaziet systému ochrany prístrojov InstruSafe nájdete v nasledujúcej tabuľke. Pozrite si návod na použitie od výrobcu sterilizátora, aby ste sa uistili, že zaťaženie neprekročí deklarované limity pre sterilizátor.

Opis naloženia systému na ochranu nástrojov InstruSafe.

Reprezentatívne zaťaženie sterilizátora STERIZONE® VP4 pri overovaní č. (K190260)	Opis záťaže pri validácii Summit Medical	Celková hmotnosť zaťaženia (okrem nakladacieho stojana s nosnosťou 25 lb)
4	<p>Záťaž 4a: Pozostáva z limitu zaťaženia pre tuhé a polotuhé prístroje s kanálmi:</p> <ul style="list-style-type: none"> • Tri (3) dvojkanálové polotuhé endoskopy (ureteroskop - 0,7 mm × 500 mm a 1,1 mm × 500 mm) boli balené po jednom (1) v kazete v troch (3) kazetách IN 7323-R. • Pridali sa ďalšie nástroje s pevnými kanálmi, aby sa dosiahol celkový počet 15 kanálov. <p>Každá kazeta obsahovala príslušné silikónové držiaky na nástroje a bola zabalená.</p> <p>Záťaž 4b: Pozostáva z limitu zaťaženia pre tuhé a polotuhé prístroje s kanálmi:</p> <ul style="list-style-type: none"> • Tri (3) dvojkanálové polotuhé endoskopy (ureteroskop - 0,7 mm × 400 mm a 1,1 mm × 400 mm) boli balené po jednom (1) v kazete v troch (3) kazetách IN-0007-TF. • Pridali sa ďalšie nástroje s pevnými kanálmi, aby sa dosiahol celkový počet 15 kanálov. <p>Každá kazeta obsahovala príslušné silikónové držiaky na nástroje a bola umiestnená v pevnom kontajneri Aesculap JM440.</p>	<p>Záťaž 4a= 5 lb/kazeta, spolu 15 lb</p> <p>Záťaž 4b= 11 lb/kazeta, spolu 33 lb</p>
7	<p>Záťaž 7a pri validácii Summit Medical: Pozostáva z limitu hmotnosti zaťaženia pre všeobecné lekárske nástroje s týmito geometriami:</p> <ul style="list-style-type: none"> • záves s krabicovým zámkom • otočný záves • záves Luer-lock <p>Všeobecné lekárske nástroje boli rozložené v troch (3) kazetách IN-7323-R s príslušnými silikónovými držiakmi, z ktorých každý vážil 25 lb. Kazety boli zabalené</p> <p>Záťaž 7b pri validácii Summit Medical: Pozostáva z limitu hmotnosti zaťaženia pre všeobecné lekárske nástroje s týmito geometriami:</p> <ul style="list-style-type: none"> • záves s krabicovým zámkom • otočný záves • záves Luer-lock <p>Všeobecné lekárske nástroje boli rozložené v troch (3) kazetách IN-0006-TF s príslušnými silikónovými držiakmi. Kazety boli umiestnené v kontajneroch Aesculap JM440, každý s hmotnosťou 25 lb.</p>	<p>Záťaž 7a= 25 lb/kazeta spolu 75 lb</p> <p>Záťaž 7b= 25 lb/kazeta spolu 75 lb</p>
8	<p>Záťaž 8a pri validácii Summit Medical: Pozostáva z limitu zaťaženia piatich (5) celkových flexibilných endoskopických kanálov v zabalených kazetách:</p> <ul style="list-style-type: none"> • Dva (2) dvojkanálové endoskopy (ureteroskop - 1 mm × 850 mm a 1 mm × 989 mm) boli balené po jednom (1) v kazete v kazetách IN-0003-R. • Jeden (1) jednocanálový flexibilný endoskop (ureteroskop - 1 mm × 850 mm) bol zabalený v kazete IN-0004-R. <p>Kazety obsahovali príslušné silikónové držiaky a boli zabalené.</p> <p>Záťaž 8b pri validácii Summit Medical: Pozostáva z limitu zaťaženia štyroch (4) celkových flexibilných endoskopických kanálov v kazetách zabalených v pevných obaloch:</p> <ul style="list-style-type: none"> • Dva (2) dvojkanálové endoskopy (1 mm × 850 mm a 1 mm × 989 mm) boli balené po jednom (1) v kazete v kazetách IN-0003-TF s príslušnými silikónovými držiakmi. <p>Každá kazeta bola umiestnená do nádoby Aesculap JM442.</p>	<p>Záťaž 8a= 4,3 lb/kazeta, spolu 13 lb</p> <p>Záťaž 8b= 8,3 lb/kazeta, spolu 25 lb</p>

SKLADOVANIE

Terminálne sterilné kazety, ktoré sú zabalené alebo vložené do nádoby na úložnej policičke, skladujte vo vodorovnej polohe. Informácie o dobe použiteľnosti si vyžiadajte od výrobcu zábalu alebo nádoby.

LIKVIDÁCIA

V prípade, že ochranné systémy prístrojov InstruSafe® neprejdú kontrolou pred použitím alebo sa inak nepovažujú za vhodné na daný účel, zariadenia sa zlikvidujú v súlade s miestnym protokolom. Metóda likvidácie závisí od potenciálnych rizík krížovej kontaminácie a infekcie, keď sa zistí potreba likvidácie.

HLÁSENIE ZÁVAŽNÝCH INCIDENTOV

Akýkoľvek závažný incident, ku ktorému došlo v súvislosti s pomôckou, by sa mal oznámiť výrobcovi a FDA/príslušnému orgánu členského štátu, v ktorom je používateľ a/alebo pacient usadený.

ZÁRUKA

OBMEDZENÁ ZÁRUKA NA SYSTÉM OCHRANY NÁSTROJOV INSTRUSAFE SUMMIT MEDICAL.

TÁTO OBMEDZENÁ ZÁRUKA A NÁPRAVA TU POSKYTOVANÁ JE VÝLUČNÁ A NAHRADZUJE AKÉKOLYVEK INÉ VÝSLOVNÉ ZÁRUKY A POKIAĽ TU NIE JE UVEDENÉ INAK, AKÉKOLYVEK VYHLÁSENIA ALEBO REPREZENTÁCIE VYKONANÉ AKOUKOLYVEK INOU OSOBOU ALEBO FIRMOU, SÚ NEPLATNÉ. TRVANIE AKÝCHKOLYVEK IMPLIKOVANÝCH ZÁRUK OBCHODOVATEĽNOSTI ALEBO VHODNOSTI NA URČITÝ ÚČEL MUSÍ BYŤ OBMEDZENÉ NA TRVANIE EXPRESNEJ OBMEDzenej ZÁRUKY. SPOLOČNOSŤ SUMMIT MEDICAL ANI JEJ PRIDRUŽENÉ SPOLOČNOSTI NENESÚ ZODPOVEDNOSŤ ZA ŽIADNE NEÚMYSELNÉ, NÁSLEDNÉ ALEBO ŠPECIÁLNE STRATY ALEBO ŠKODY V DÔSLEDKU POUŽÍVANIA ALEBO NESCHOPNOSTI POUŽÍVANIA SYSTÉMU INSTRUSAFE, ČI UŽ V DÔSLEDKU PORUŠENIA ZÁRUKY ALEBO INEJ ZÁKONNEJ TEÓRIE.

Táto obmedzená záruka vám poskytuje konkrétne zákonné práva a môžete mať aj ďalšie práva, ktoré sa v jednotlivých štátoch líšia. Niektoré štáty nepovoľujú obmedzenia týkajúce sa dĺžky predpokladanej záruky alebo nepovoľujú vylúčenie alebo obmedzenie neúmyselných alebo následných škôd, takže vyššie uvedené obmedzenia alebo vylúčenia sa na vás nemusia vzťahovať.

Čo je pokryté. Spoločnosť Summit Medical zaručuje pôvodnému kupujúcemu, že systém InstruSafe priložený k tejto obmedzenej záruke je v súlade so špecifikáciami výrobcu a že po dobu 12 mesiacov od dátumu pôvodného nákupu bude bez chýb v spracovaní a materiáli. Ak pôvodný kupujúci prevedie systém InstruSafe inej strane, táto obmedzená záruka nebude vymáhateľná stranou, na ktorú sa produkt prevádza.

Čo spravíme na nápravu problémov. Ak sa počas tohto obdobia systém InstruSafe ukáže ako chybný, musíte to oznámiť spoločnosti Summit Medical alebo autorizovanému distribútorovi alebo predajcovi spoločnosti Summit Medical. Spoločnosti Summit Medical alebo jeho zástupcom musíte povoliť vykonanie takých vyšetrení, skúšok a testov, ktoré spoločnosť Summit Medical považuje za vhodné, a ak o to budete požiadaní, vrátiť produkt do závodu na nižšie uvedenú adresu. Jedinou povinnosťou spoločnosti Summit Medical podľa tejto obmedzenej záruky je podľa jej uváženia opraviť alebo vymeniť chybný produkt alebo produkty bez poplatkov za súčiastky alebo prácu. Za poštovné, poistenie alebo náklady na dopravu, ktoré vzniknú pri odovzdaní vášho produktu Systém InstruSafe na záručný servis, zodpovedáte vy.

Čo nie je pokryté. Táto obmedzená záruka je podmienená správnym používaním a údržbou produktu. Nevzťahuje sa na produkty, ktoré boli nesprávne odoslané alebo ktoré boli nesprávne použité, zneužitú, zanedbané alebo nesprávne udržiavané, čistené alebo uskladnené, alebo ktoré boli opravené inak ako spoločnosťou Summit Medical alebo autorizovaným distribútorom alebo predajcom spoločnosti Summit Medical, alebo boli modifikované bez výslovného súhlasu spoločnosti Summit Medical. Nedodržanie pokynov v používateľskej príručke môže predstavovať nesprávne použitie alebo údržbu produktu a môže spôsobiť stratu platnosti tejto obmedzenej záruky. Táto záruka sa nevzťahuje na bežné opotrebenie ani na náhradné položky.

Ak máte otázky alebo nároky týkajúce sa tejto záruky, kontaktujte:

Oddelenie služieb zákazníkom
Summit Medical
815 Vikings Parkway, Suite 100
St. Paul, MN 55121 | USA
www.instrusafe.com

TEL.: 651-789-3939 | 888-229-2875
FAX: 651-789-3979 | 888-229-1941
E-MAIL: customerservice@innoviamedical.com



Disse instruksjonene har blitt validert av enhetsprodusenten som instruksjoner for repressering av gjenbrukbare medisinske enheter.

Individuelle sterilisatorer, instrumentenes renhet, spesifikk lasting av instrumentbrett, instrumenttyper og -geometri, steriliseringsbeholdere, filtre og emballasje varierer med stedet der de brukes.

LES DENNE SEKSJONEN FØR PRODUKTET TAS I BRUK

TILTENKT BRUK / SAMMENDRAG AV BRUKSANVISNINGEN

Kassettenne/brettene i InstruSafe®-systemene for instrumentbeskyttelse er ment å holde på og beskytte gjenbrukbare medisinske enheter under transport, sterilisering og oppbevaring. Kassettenne/brettene i InstruSafe®-systemet for instrumentbeskyttelse brukes for å ordne og beskytte andre medisinske enheter som er sterilisert av en helseleverandør. Kassettenne/brettene i InstruSafe-systemet for instrumentbeskyttelse er ment å muliggjøre sterilisering av de medisinske enhetene de inneholder under disse steriliseringssyklusene:

- Prevakuumdamp (ISO 17665-1 og EN 285)
- Etylenoksid (ISO 11135)
- Validert sterilisering ved lav temperatur, (ISO 14937) dvs.
 - STERRAD® 100S Standard (kort)
 - STERRAD® 100NX® Express, Standard og Flex
 - STERRAD® NX® Standard
 - STERIS® AMSCO® V-PRO 1®, V-PRO 1 Plus, V-PRO maX og V-PRO maX 2
 - Sterizone® VP4

Kassettenne/brettene i InstruSafe-systemet for instrumentbeskyttelse kan ikke opprettholde sterilitet på egen hånd. Kassettenne/brettene i InstruSafe-systemet for instrumentbeskyttelse er beregnet på å brukes sammen med en lovlig solgt emballasje, stive Aesculap®- eller Genesis™ beholdere.

InstruSafe-steriliseringsbeholdere har blitt validert for bruk med kassettenne/brettene i InstruSafe-systemet for instrumentbeskyttelse, (prevakuum, 132 °C (270 °F), kun fire minutters steriliseringssyklus med damp) under 510(k) K180528. Se bruksanvisningen for InstruSafe®-steriliseringsbeholder for mer informasjon.

En fullstendig liste over modeller er oppgitt i Vedlegg A, som kan vises på www.instrusafe.com/ifus.

BESKRIVELSE AV ENHETEN

Summit Medical InstruSafe-systemer for instrumentbeskyttelse er kassetter/brett som er beregnet på å holde kirurgiske instrumenter og instrumenttilbehør organisert under steriliseringsprosessen og påfølgende lagring og transportering. Kassettenne/brettene har ikke direkte kontakt med pasient. Kassettenne/brettene opprettholder ikke sterilitet på egen hånd. Kassettenne/brettene foreligger i forskjellige størrelser med samme grunnkonfigurasjon: en rektangulær bunndel med låsbart deksel. Kassettenne/brettene har hull for at steriliseringsmiddelet skal kunne trenge inn. Kassettenne/brettene har silikoninnsatser i bunndelen og/eller dekselet for å holde, ordne og beskytte kirurgiske instrumenter inne i kassetten/brettet under steriliseringsprosessen og påfølgende lagring og transport.

TILTENKT BRUKER

InstruSafe®-systemene for instrumentbeskyttelse er tenkt brukt av profesjonelt helsepersonell i operasjonsrommet og steriliseringsavdelingen for transport, sterilisering og oppbevaring av medisinske enheter.

BEGRENSNING AV PROSESSERING

1. Levetiden til InstruSafe-systemet for instrumentbeskyttelse er minst 25 steriliseringssykluser. Kontroller brettet for slitasje og skade før bruk. Avslutt bruken ved synlige tegn på slitasje, inkludert korrosjon, mekaniske skader, sprekker, skraper, avskallinger, ødelagte sveisinger, skadede låser, skadede Hold-Its®/Hold-Downs, misfarging osv.
2. Se **Tabell 2** for steriliseringsmetoder og -konfigurasjoner.
3. **IKKE OVERBELAST** InstruSafe-systemer eller -komponenter.
4. **IKKE OVERBELAST** de enkelte Hold-Its-sporene. Last kun ett instrument per Hold-Its-spor.
5. Ved bruk av stive beholdere **MÅ** InstruSafe-systemene eller -komponentene legges **UPAKKET** i steriliseringsbeholderen.
6. I sterilisatorene, **IKKE STABLE** InstruSafe-systemer eller -komponenter som er pakket inn eller plassert i beholder enkeltvis. Skill InstruSafe-systemer eller -komponenter som er pakket inn eller plassert i beholdere fra hverandre eller fra andre enheter, og plasser dem på adskilte hyller i sterilisatoren for å muliggjøre maksimal flyt av steriliseringsmiddelet.
7. Bruk av ikke-absorberende brettinnlegg (f.eks. innlegg med nupper av silikon) kan medføre kondensering. Ved synlig fuktighet, gjenta steriliseringen og øk tørketiden.
8. Totalvekten av beholdersystemet (f.eks. beholder, Brett og instrumenter) skal ikke være mer enn 11,34 kg (25 pund).
9. Instrumenter (f.eks. endoskoper og instrumenter med lumen eller kanaler) skal forberedes og steriliseres i samsvar med retningslinjer fra instrumentets produsent.
10. Det er behandlerens ansvar å opprettholde spesifikke valideringer for den endelige steriliseringsprosessen som brukes på konfigurasjonene av instrumenter og beholdere som presenteres for steriliseringsprosessen.
11. Rådfør med bruksanvisningen fra produsenten av steriliseringssystemet for videre begrensninger (f.eks. dimensjoner eller vekt).

ADVARSLER

- For InstruSafe-systemer av aluminium, bruk kun vaskemidler med nøytral pH (6,0–8,5) for å unngå skade på finishen. Vaskemiddel med et høyt syre- eller høyt alkalieinnhold (pH-verdi) kan gjøre permanent skade på kassett- og metallkomponentenes finish av anodisert aluminium.
- Ikke bruk hvis pakningen er skadet eller åpnet ved et uhell før bruk.

Merk: Rengjør og inspiser kassetten i samsvar med de angitte retningslinjene før de tas i bruk.

UNIVERSELLE FORHOLDSREGLER

- Ansatte skal bruke personlige beskyttelsesklær og verneutstyr i henhold til arbeidsgiverens/avdelingens operative prosedyrer for det forureningsnivået de blir utsatt for.
- Hold ulike typer metaller atskilt under steriliseringen for å unngå korrosjon.

BRUKSSTED

Fjern grov smuss med papir-/tøykluter for engangsbruk. Kontaminerte deler må holdes fuktige til kvalifiserte rengjøringsprosesser kan brukes.

RENGJØRING

Se produsentens bruksanvisning spesifikke instruksjoner for rengjøring av instrumentene i kassetten.

Det anbefales å bruke ett av de følgende validerte alternativene for rengjøring for å rengjøre kassetten/brettet.

Bruk kun nøytrale pH-løsninger (6.0 – 8.5) natriumfritt karbonat for å unngå skade på finishen på aluminiumskassetter.

IKKE bruk skurepulver eller skurende rengjøringsmidler. **IKKE** oppbevar kassetter i væske.

1. Manuell fjerning av grovt smuss:

- A. Nødvendig utstyr: Enzymatisk rengjøringsmiddel med nøytral pH (6.0 – 8.5), myk børste og rennende vann.
- B. Fjern all synlig skitt og smuss ved bruk av en myk børste. Hele kassetten skal være senket ned i minst 2 minutter i løpet av rengjøringen for å bidra til å fjerne smuss og for å redusere sprut av rengjøringsmiddel på ansatte.
- C. Skyll grundig i minst 1 minutt med rent vann for å fjerne alle rester av rengjøringsmiddel. Se retningslinjer for skylling på rengjøringsmiddelets etikett.

2. Ultralydrenngjøring:

- A. Forbered enzymvask i en enhet for ultralydrenngjøring.
- B. Plasser en enkelt kassett i rengjøringsmiddelet i minst ti minutter.
- C. Skyll i minst 2 minutter med kaldt kranvann.
- D. Se etter smuss på kassetten. Gjenta syklusen hvis nødvendig for å fjerne synlig smuss.

3. Automatisert vaskeenhets:

InstruSafe-systemene for instrumentbeskyttelse har blitt validert for den automatiske vaskesystemsytklusen som er angitt i **Tabell 1**. Kvalifisering av spesifikke parametere må utføres av behandler.

Tabell 1

SYKLUS	VANNTEMPERATUR	RENGJØRINGS-PROSESS
Forvask 1 & 2	Kaldt kranvann	Resirkulasjonstid: 2 minutter
Enzymvask	Varmt kranvann	Bløtingstid: 4 minutter
Vask 1	Oppvarmet til 65,5 °C (150 °F)	Resirkulasjonstid: 15 minutter
Skylling 1 og 2	Varmt kranvann	Resirkulasjonstid: 5 minutter

***Merk:** Etter gjennomføring av automatisk vaskesyklus, utfør visuell inspeksjon av InstruSafe-systemet (kassett og tilbehør) og se etter rester av smuss. Alt synlig smuss skal fjernes med hånd ved bruk av børste, ultralyd eller automatiske tilleggssykluser før steriliseringen.*

DESINFEKSJON

InstruSafe-systemene er beregnet på å bli sluttsterilisert.

VEDLIKEHOLD, INSPEKSJON OG PRØVETAKING

InstruSafe-systemene kan gjenbrukes inntil det skjer uakseptabel forverring slik som korrosjon, sprekking, rust, skraping, avskalling, misfarging eller mekaniske feil.

Tegn på mekaniske feil inkluderer:

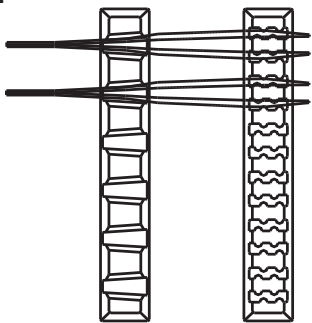
- Ødelagte eller sprukne hjørner eller sveiser
- Ødelagte eller defekte låser
- Manglende, revnede eller kuttete silikoninnsatser
- Manglende eller ødelagte føtter

MONTASJE

1. Plasser instrumentene i forhåndsbestemte holdere eller området definert ut fra plasseringsstolpene, slik at alle instrumentoverflater vil få påført steriliseringsmiddelet. Se **Figur A**. Sørg for at det kun er ett instrument i hvert spor. Om mulig, demonter eller åpne alle deler av instrumenteringen i henhold til instrumentprodusentens retningslinjer.

IKKE overbelast holderne eller overstig kassettenes vektgrenser. Se Vedlegg A.

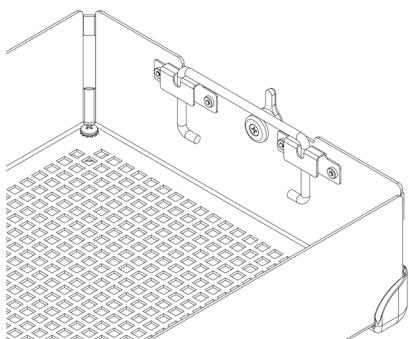
Figur A.



Merk: Instrumenter (f.eks. endoskoper og instrumenter med lumen eller kanaler) skal forberedes og steriliseres i samsvar med bruksanvisningen fra instrumentets produsent.

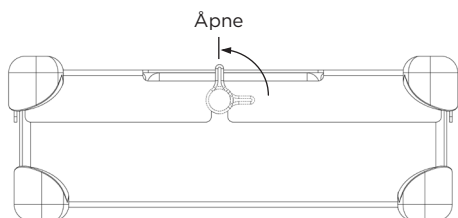
2. Sørg for at håndtak blir plassert inne i kassetten (inntrukket posisjon). Vist på **Figur B**.

Figur B.



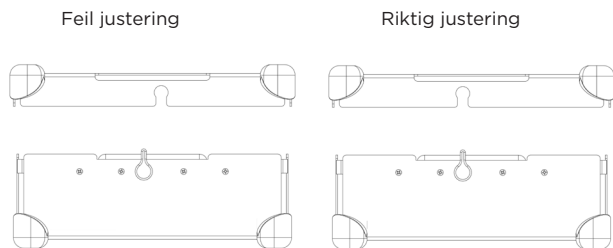
3. Plasser kassettdেকেlet på kassettbunddelen, og sørg for at låsene blir riktig plassert med låsesporet på kassettdেকেlet, lukk deretter låsene. Se **Figur C**.

Figur C.



Merk: Låsene blir forskjøvet slik at kassettdেকেlet alltid justeres riktig i forhold til bunn delen. Dette sørger at holderne er riktig justert når deকেlet er festet. Se **Figur D** for riktig justering. **IKKE tving kassettdেকেlet ned på kassettbunddelen da dette kan skade instrumentene og kassetten.**

Figur D.



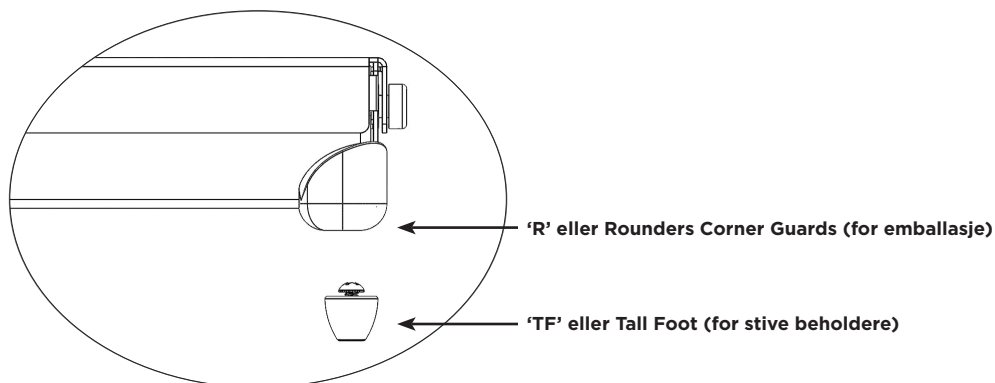
PAKKING

InstruSafe-systemer kan pakkes i en lovlig solgt emballasje eller plasseres i en lovlig solgt stiv beholder. Se indikasjonene for bruk i bruksanvisningen.

Bruk med emballasje:

1. Før du pakker inn kassetten, sørg for at den har en riktig fotstil. R skal brukes med emballasje. Se **Figur F**.

Figur F.



2. Pakk inn kassetten ved bruk av lovlig solgt emballasje i henhold til emballasjeprodusentens retningslinjer.

3. Steriliser pakken ved bruk av en av de steriliseringssyklusene i bruksanvisningen.

Bruk med stiv beholder:

Se indikasjonene for bruk i bruksanvisningen.

1. Før du legger kassetten i en stiv beholder, sørg for at kassettføttene er riktige. TF skal brukes med en stiv beholder. Se **Figur F**.

2. Plasser kassetten i den stive beholderen. Følg beholderprodusentens retningslinjer for å forsegle beholderen.

Merk: Ikke pakk inn kassetten før du plasserer dem i beholderen for sterilisering.

3. Steriliser beholderen og innholdet med en av steriliseringssyklusene i bruksanvisningen.

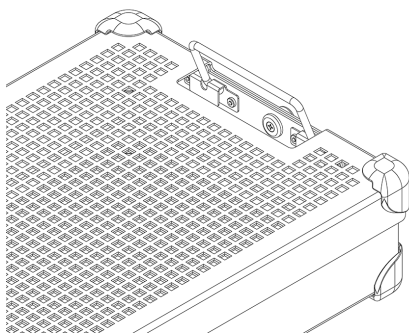
Tilleggsinformasjon:

For å fjerne kassetten aseptisk fra den stive beholderen, følg produsentens bruksanvisning.

1. Bruk hansker. Hold håndflatene utover, og grip inn gjennom åpningene i kassettdkselet.

2. Grip kassetthåndtakene og løft dem til hevet stilling. Se **Figur G**.

Figur G.



3. Vipp håndtakene innover, bort fra sidene på den stive beholderen, og løft kassetten ut av beholderen. Pass på at du ikke berører utsiden av beholderen.

4. Plasser kassetten på en steril overflate.

STERILISERING

Se **Tabell 2** for steriliseringsparametere som har blitt kvalifisert for steriliseringen av InstruSafe-systemene.

Tabell 2.

STERILISERINGSMETODER	SYKLUS (tid)
Prevakuumdamp	Parametre: Temperatur 132 °C (270 °F) Eksponeeringstid 4 minutter Tørketid 30 minutter
Etylenoksid (EO)	Forkondisjonering: Temperatur 55 °C (131 °F) Relativ fuktighet 70 ±15 % Forkondisjoneringstid 1 time Sterilisering: Eksponeeringstid 120 minutter Temperatur 55 °C (131 °F) Luftingstid 12 timer
STERRAD 100S	<i>Standard</i>
STERRAD 100NX	<i>Standard, Express, Flex</i>
STERRAD NX	<i>Standard</i>
STERIS AMSCO V-PRO 1	<i>Standard</i>
STERIS AMSCO V-PRO 1 PLUS	<i>Lumen, ikke-lumen</i>
STERIS AMSCO V-PRO maX	<i>Lumen, ikke-lumen</i>
STERIS AMSCO V-PRO maX 2	<i>Lumen, ikke-lumen</i>
Sterizone VP4	<i>Syklus 1</i>

Summit Medical har validert følgende steriliseringsmetoder:

- 4 minutters steriliseringssyklus i autoklav i lovlig solgt emballasje, InstruSafe-steriliseringsbeholder, stiv Aesculap- eller Genesis-beholder godkjent av FDA. Under K180528, ble InstruSafe-steriliseringsbeholderen validert for bruk med kassetene/brettene i InstruSafe-systemet for instrumentbeskyttelse.
- Etylenoksid (EO)-steriliseringssyklus i lovlig solgt emballasje eller steril Genesis-beholder godkjent av FDA.
- STERRAD 100S Standard steriliseringssyklus i lovlig solgt emballasje eller en stiv Aesculap-beholder godkjent av FDA.
- STERRAD 100NX Standard steriliseringssyklus i lovlig solgt emballasje eller en stiv Aesculap-beholder godkjent av FDA.
- STERRAD 100NX Express steriliseringssyklus i lovlig solgt emballasje godkjent av FDA.
- STERRAD 100NX Flex steriliseringssyklus i lovlig solgt emballasje eller en stiv Aesculap-beholder godkjent av FDA.
- STERRAD NX Standard steriliseringssyklus i lovlig solgt emballasje eller en stiv Aesculap-beholder godkjent av FDA.
- STERIS AMSCO V-PRO, V-PRO 1 PLUS, V-PRO 1 maX og V-PRO maX 2 steriliseringssykluser i lovlig solgt emballasje eller en stiv Aesculap-beholder godkjent av FDA.
- Sterizone VP4 Standard steriliseringssyklus i lovlig solgt emballasje og en stiv Aesculap-beholder godkjent av FDA

IKKE overstig den sterile beholderens lastkapasitet som er angitt av produsenten.

Bruk et FDA-godkjent tilbehør for å opprettholde sterilitet.

Vennligst sjekk sterilisatorens bruksanvisning for å sikre at tiltenkte belastninger er kompatible med tiltenkt steriliseringssyklus.

Sjekk beholderens bruksanvisning for å sikre at tiltenkt belastning er kompatible med de FDA-godkjente belastningene for beholderen.

BRUKSANVISNING

4 minutters damp, emballasje og stiv Aesculap®-beholder

Kassetten i Instrusafe®-systemet for instrumentbeskyttelse brukes for å ordne og beskytte andre medisinske enheter som er sterilisert av en helseleverandør. Kassetten i InstruSafe-systemet for instrumentbeskyttelse er beregnet på å muliggjøre sterilisering av de medisinske enhetene de inneholder under en steriliseringssyklus med prevakuumdamp. Kassetten i InstruSafe-systemet for instrumentbeskyttelse er beregnet på å brukes sammen med en lovlig solgt emballasje eller en stiv Aesculap-beholder. Kassetten i InstruSafe-systemet for instrumentbeskyttelse kan ikke opprettholde sterilitet på egen hånd.

Steriliseringsparametre for autoklav	
Syklus	Prevakuum
Temperatur	132 °C (270 °F)
Eksponeringstid	4 minutter
Minimal tørkingstid	30 minutter
Summit-kassetmodell	Aesculap-beholdermodell
IN-8823-AE	*JN444
IN-2880	*JK444
IN-6105	*JN742
<i>*Validert av Summit Medical til bruk i sterilisatorer med prevakuumdamp som KUN fungerer ved 132 °C (270 °F) med 4 minutters eksponeringstid. Sjekk beholderens anvisninger for å sikre at innholdet ikke overstiger steriliseringsbeholderens spesifikasjoner for tiltenkt last.</i>	

Spesifikasjoner av lumen for 4 minutters dampsteriliseringssyklus med prevakuum			
Summit-kassetmodell	Minste innvendige diameter	Maksimal lengde	Antall lumen
IN-8823-CF	3 mm	400 mm	4
IN-8823-CF	3 mm	200 mm	2
IN-2880	1 mm	76 mm	2
IN-2880	3 mm	177 mm	1
IN-6105	5 mm	241 mm	1
IN-2681	1 mm	65 mm	1
IN-2681	3 mm	200 mm	1
IN-7823	1 mm	400 mm	17

4 minutters damp, stiv Genesis™-beholder

Kassetten i Instrusafe®-systemet for instrumentbeskyttelse brukes til å ordne og beskytte andre medisinske enheter som er sterilisert av en helseleverandør. Kassetten i InstruSafe-systemet for instrumentbeskyttelse er beregnet på å muliggjøre sterilisering av de medisinske enhetene de inneholder under en steriliseringssyklus med prevakuumdamp. Kassetten i InstruSafe-systemet for instrumentbeskyttelse er beregnet på å brukes sammen med en lovlig solgt emballasje eller en stiv Genesis-beholder. Kassetten i InstruSafe-systemet for instrumentbeskyttelse kan ikke opprettholde sterilitet på egen hånd. En komplett liste over enhetsmodeller finnes i Vedlegg A.

Spesifikasjoner av lumen for 4 minutters dampsteriliseringssyklus med prevakuum			
Summit-kassetmodell	Minste innvendige diameter	Maksimal lengde	Antall lumen
IN-2681	1 mm	65 mm	1
IN-2681	3 mm	200 mm	1
IN-6105	5 mm	241 mm	1
IN-0000	1 mm	400 mm	5
	3 mm	400 mm	1
	5 mm	400 mm	1

BRUKSANVISNING (fortsettelse)

8 minutters damp og etylenoksid (EO), emballasje og stiv Genesis™ -beholder

Kassetten i InstruSafe®-systemet for instrumentbeskyttelse brukes til å ordne og beskytte andre medisinske enheter som er sterilisert av en helseleverandør. InstruSafe-systemkassetten er beregnet på å muliggjøre sterilisering av de medisinske enhetene de inneholder under en steriliseringssyklus med prevakuumdamp eller etylenoksid. Kassetten i InstruSafe-systemet er beregnet på å brukes sammen med en lovlig solgt emballasje eller en stiv Genesis-beholder. Kassetten i InstruSafe-systemet er ikke beregnet på å opprettholde sterilitet på egen hånd.

Steriliseringsmetoder og -konfigurasjoner

8 minutters prekondisjonering med damp ved 132°C	
Emballasje, 140-tråders woven	10 minutter tørketid
Emballasje, non-woven (Kimberly Clark)	50 minutter tørketid
Genesisbeholder (se Tabell 1 for bruk av filterpapir)	30 minutter tørketid

Genesis-beholder	Filterpapir for Genesis-beholder
CD2-4B	FX3-1: 9x9"
CD2-5B	FX3-1: 9x9"
CD3-4B	FX3-1: 9x9"
CD3-5B	FX3-1: 9x9"
CD3-6B	FX3-1: 9x9"
CD3-7B	FX3-1: 9x9"
CD4-5B	FO3-2: 9x6"
CD5-61B	FO3-2: 9x6"
CD6-6B	FX3-1: 9x9"

Se V. Mueller Genesis Sterilizer Container system User's Operating Instructions ved bruk av en stiv Genesis-beholder.

Etylenoksid (EO)
<ul style="list-style-type: none">1 times prekondisjonering ved 131 °F (55 °C) med relativ fuktighet på 70 ±15 %2 timers eksponering ved 55 °C (131 °F)12 timers lufting

STERRAD® 100S & STERRAD® 100NX® Standard syklus, emballasje & stiv Aesculap®-beholder

Kassetten i InstruSafe®-systemet for instrumentbeskyttelse brukes for å ordne og beskytte andre medisinske enheter som er sterilisert av en helseleverandør. Kassetten i InstruSafe-systemet for instrumentbeskyttelse er beregnet på å muliggjøre sterilisering av de medisinske enhetene de inneholder under Sterrad 100S Standard og Sterrad 100NX Standard steriliseringssykluser. Kassetten i InstruSafe-systemet for instrumentbeskyttelse er beregnet på å brukes sammen med en lovlig solgt emballasje eller en stiv Aesculap-beholder. Kassetten i InstruSafe-systemet for instrumentbeskyttelse kan ikke opprettholde sterilitet på egen hånd. En komplett liste over enhetsmodeller finnes i Vedlegg A.

Følgende steriliseringsbrett ble validert med de tilsvarende stive beholderne:

STERRAD 100S Standard syklus	
Summit-kassetmodell	Aesculap-beholdermodell
IN-8823-AE	*JM444
IN-6105	*JM440

STERRAD 100NX Standard syklus	
Summit-kassetmodell	Aesculap-beholdermodell
IN-8823-AE	*JM444
IN-6105	*JM440

*Validert av Summit Medical KUN til bruk i STERRAD 100S Standard syklus og STERRAD 100NX Standard syklus. Sjekk beholderens anvisninger for å sikre at innholdet ikke overstiger steriliseringsbeholderens spesifikasjoner for tiltenkt last.

Lumenspesifikasjoner for STERRAD 100S Standard og STERRAD 100NX Standard sykluser	
4 lumen i rustfritt stål med 3 mm indre diameter x 400 mm lengde	Alle modeller med riktig modeller er oppført i Vedlegg A med unntak om IN-2681.
2 lumen i rustfritt stål med 3 mm indre diameter x 200 mm lengde	
1 lumen i rustfritt stål med 3 mm indre diameter x 200 mm lengde	IN-2681
1 lumen i rustfritt stål med 1mm indre diameter x 65 mm lengde	

BRUKSANVISNING (fortsettelse)

STERRAD® NX® Standard syklus, emballasje & stiv Aesculap® beholder

Kassetten i Instrusafe®-systemet for instrumentbeskyttelse brukes for å ordne og beskytte andre medisinske enheter som er sterilisert av en helseleverandør. Kassetten i InstruSafe-systemet for instrumentbeskyttelse er beregnet på å muliggjøre sterilisering av de medisinske enhetene de inneholder under en Sterrad NX Standard steriliseringssyklus. Kassetten i InstruSafe-systemet for instrumentbeskyttelse er beregnet på å brukes sammen med en lovlig solgt emballasje eller en stiv Aesculap-beholder. Kassetten i InstruSafe-systemet for instrumentbeskyttelse kan ikke opprettholde sterilitet på egen hånd. En komplett liste over enhetsmodeller finnes i Vedlegg A.

Steriliseringsmetoder og -konfigurasjoner
- Sterrad NX Standard steriliseringssyklus

Lumen-spesifikasjoner for STERRAD NX Standard steriliseringssyklus			
Summit-kassetmodell	Minste innvendige diameter	Maksimal lengde	Antall lumen
IN-2681	1 mm	65 mm	1
IN-2681	3 mm	200 mm	1
IN-8987-S	1 mm	500 mm	5
IN-8615	2,3 mm	210 mm	5
IN-6105	4 mm	235 mm	1

Merk: Det verste tilfellet av validert belastning basert på ventilasjon/volum-beregning er IN-2681-brettet.

STERRAD® 100NX® Express syklus, emballasje

Kassetten i Instrusafe®-instrumentbeskyttelsesystemet brukes for å ordne og beskytte andre medisinske enheter som er sterilisert av en helseleverandør. Kassetten i InstruSafe-systemet for instrumentbeskyttelse er beregnet på å muliggjøre sterilisering av de medisinske enhetene de inneholder under en Sterrad® 100NX Express-syklus. Kassetten i InstruSafe-systemet for instrumentbeskyttelse er beregnet på å brukes sammen med en lovlig solgt emballasje. Kassetten i InstruSafe-systemet for instrumentbeskyttelse kan ikke opprettholde sterilitet på egen hånd. InstruSafe-systemet for instrumentbeskyttelse har ingen lumenspesifikasjoner for Sterrad 100NX Express syklus.

STERRAD® 100NX® Flex steriliseringssyklus, emballasje & stiv Aesculap® beholder

Kassetten i Instrusafe®-systemet for instrumentbeskyttelse brukes for å ordne og beskytte andre medisinske enheter som er sterilisert av en helseleverandør. Kassetten i InstruSafe-systemet for instrumentbeskyttelse er beregnet på å muliggjøre sterilisering av de medisinske enhetene de inneholder under en Sterrad 100NX Flex-steriliseringssyklus. Kassetten i InstruSafe-systemet for instrumentbeskyttelse er beregnet på å brukes sammen med en lovlig solgt emballasje eller en stiv Aesculap-beholder. Kassetten i InstruSafe-systemet for instrumentbeskyttelse kan ikke opprettholde sterilitet på egen hånd. En komplett liste over enhetsmodeller finnes i Vedlegg A.

STERRAD 100NX Flex steriliseringssyklus	
Summit-kassetmodell	Aesculap-beholdermodell
IN-0000	*JM440
IN-6105	*JM440

*Validert av Summit Medical KUN til bruk i STERRAD 100NX Flex steriliseringssyklus. Sjekk beholderens anvisninger for å sikre at innholdet ikke overstiger steriliseringsbeholderens spesifikasjoner for tiltenkt last.

Lumen-spesifikasjoner for STERRAD 100NX Flex steriliseringssyklus				
Summit-kassetmodell	Minste innvendige diameter	Maksimal lengde	Antall lumen	Emballasje/stiv beholder
IN-0000	1 mm	850 mm	1	Emballasje + stiv beholder
IN-8823	1 mm	850 mm	1	Emballasje + stiv beholder
IN-7344	1 mm	850 mm	1	emballasje
IN-6105	4 mm	235 mm	1	Emballasje + stiv beholder

Det verste tilfellet av validert belastning basert på ventilasjon/volum-beregning er IN-0000-brettet.

Merk: IN-0000-brettet er kun for testformål.

BRUKSANVISNING (fortsettelse)

AMSCO® V-PRO® lavtemperatur steriliseringssyklus, emballasje og stiv Aesculap®-beholder

Kassetten i InstruSafe®-systemet for instrumentbeskyttelse brukes for å ordne og beskytte andre medisinske enheter som er sterilisert av en helseleverandør. Kassetten i InstruSafe-systemet for instrumentbeskyttelse er beregnet på å muliggjøre sterilisering av de medisinske enhetene de inneholder under Amsco V-PRO lavtemperatur steriliseringssykluser. Kassetten i InstruSafe-systemet for instrumentbeskyttelse er beregnet på å brukes sammen med en lovlig solgt emballasje eller en stiv Aesculap-beholder. Kassetten i InstruSafe-systemet for instrumentbeskyttelse kan ikke opprettholde sterilitet på egen hånd. En komplett liste over enhetsmodeller finnes i Vedlegg A.

AMSCO V-PRO steriliseringssystemer med lav temperatur			
Sterilisator	Standardsyklus	Lumensyklus	Ikke-lumensyklus
V-PRO 1	X	-	-
V-PRO 1 PLUS	-	X	X
V-PRO maX	-	X	X
V-PRO maX 2	-	X	X
Summit-kassetmodell		Aesculap-beholdermodell	
IN-8823		*JM444	
IN-6105		*JM742	

**Validert av Summit Medical KUN til bruk i AMSCO V-PRO steriliserings-systemer ved lav temperatur. Ved bruk av Aesculap-beholder som steril barriere, skal belastningen (Summit-brett og innhold) ikke overstige maksimumslasten eller belastningstypen som er angitt for beholderen.*

Lumen-størrelse på validert instrumentering omfatter:			
Summit-kassetmodell	Minste innvendige diameter	Maksimal lengde	Antall lumen
IN-8823	3 mm	400 mm	2
IN-6105	3 mm	200 mm	1
IN-2681	1 mm	64 mm	1

Merk: Det verste tilfellet av validert belastning basert på ventilasjon/volum-beregning er IN-2681-brettet.

BRUKSANVISNING (fortsettelse)

VP4 Sterizone, emballasje og stiv Aesculap®-beholder

Kassetten (brettene) i InstruSafe®-systemet for instrumentbeskyttelse brukes for å ordne og beskytte andre medisinske enheter som er sterilisert av en helseleverandør. Kassetten i InstruSafe-systemet for instrumentbeskyttelse er beregnet på å muliggjøre sterilisering av de medisinske enhetene de inneholder under Amsco V- PRO steriliseringssykluser med lav temperatur. Kassetten i InstruSafe-systemet for instrumentbeskyttelse er beregnet på å brukes sammen med en lovlig solgt emballasje eller en stiv Aesculap-beholder. Kassetten i InstruSafe-systemet for instrumentbeskyttelse kan ikke opprettholde sterilitet på egen hånd.

Summit Medical har validert bruken av kassetten i InstruSafe-systemet for instrumentbeskyttelse i syklus 1 av STERIZONE VP4-steriliseringssystemet ved å demonstrere steriliseringseffektiviteten ved hjelp av representative prøver av medisinsk utstyr inkludert generelle instrumenter, stive og halvstive instrumenter med lumen og fleksible endoskoper. Valideringen ga informasjon som har blitt brukt til å opprette designgrenser som brukes på tvers av utvalget av kassetten i InstruSafe-systemet for instrumentbeskyttelse for å sikre at alle modeller faller innenfor de validerte grensene for kassetventilering, interne hyller og vekt:

- Minimum ventilasjon til volum-forhold, generelle instrumenter: 0,073
- Minimum ventilasjon til volum-forhold, fleksible endoskoper: 0,263
- Maksimumsantall interne hyller: To (2)
- Maksimal kassetvekt (inkludert innhold): 25 lbs / kassett

Se tabellen nedenfor for de validerte belastningene ved bruk av kassetten i InstruSafe-systemet for instrumentbeskyttelse. Se bruksanvisningen til produsenten av steriliseringssystemet for å påse at belastningene ikke overskrider de angitte grensene for steriliseringssystemet.

Bekrivelse av belastninger for InstruSafe-systemet for instrumentbeskyttelse.

Representativ for STERIZONE® VP4-steriliseringssystem validerings-belastningsnr. (K190260)	Belastningsbeskrivelse for Summit Medical-validering	Total belastningsvekt (ekskluderer 11,3 kg (25 lbs) for lastehyllen)
4	<p>Belastning 4a: Bestod av belastningen for stive og halvstive kanalførte instrumenter:</p> <ul style="list-style-type: none">• Tre (3) halvstive endoskoper med dobbel kanal (ureteroskop – 0,7 mm × 500 mm og 1,1 mm × 500 mm) ble pakket, ett (1) per kassett, i tre (3) IN 7323-R kassetter.• Flere instrumenter med stiv kanal ble lagt til for å nå en total på 15 kanaler. <p>Hver kassett inkluderte egnede instrumentholdere i silikon og var pakket inn.</p> <p>Belastning 4b: Bestod av belastningen for stive og halvstive kanalførte instrumenter:</p> <ul style="list-style-type: none">• Tre (3) halvstive endoskoper med dobbel kanal (ureteroskop – 0,7 mm × 400 mm og 1,1 mm × 400 mm) ble pakket, ett (1) per kassett, i tre (3) IN-0007-TF kassetter.• Flere instrumenter med stiv kanal ble lagt til for å nå en total på 15 kanaler. <p>Hver kassett inkluderte egnede instrumentholdere i silikon og ble plassert i en stiv Aesculap JM440-beholder.</p>	<p>Belastning 4a = 5 lbs / kassett, 15 lbs totalt</p> <p>Belastning 4b = 11 lbs / kassett, 33 lbs totalt</p>
7	<p>Belastning 7a for Summit Medical-validering: Bestod av belastningsvektgrensen for generelle medisinske instrumenter som representerer følgende geometrier:</p> <ul style="list-style-type: none">• Bokslåshengsel• Vipphengsel• Luerlås <p>Generelle medisinske instrumenter ble spredt på tvers av tre (3) IN-7323-R-kassetter med egnede holdere i silikon, hvor hver av dem veide 25 lbs. Kassetten var innpakket.</p> <p>Belastning 7b for Summit Medical-validering: Bestod av belastningsvektgrensen for generelle medisinske instrumenter som representerer følgende geometrier:</p> <ul style="list-style-type: none">• Bokslåshengsel• Vipphengsel• Luerlås <p>Generelle medisinske instrumenter ble spredt på tvers av tre (3) IN-0006-TF-kassetter med egnede holdere i silikon. Kassetten ble plassert i Aesculap JM440-beholder, hvor hver av dem veide 25 lbs.</p>	<p>Belastning 7a = 25 lbs / kassett 75 lbs totalt</p> <p>Belastning 7b = 25 lbs / kassett 75 lbs totalt</p>
8	<p>Belastning 8a for Summit Medical-validering: Bestod av belastningsgrensen på fem (5) totalt fleksible endoskopkanaler i innpakke kassetter:</p> <ul style="list-style-type: none">• To (2) fleksible endoskoper med dobbel kanal (ureteroskoper – 1 mm × 850 mm og 1 mm × 989 mm) ble pakket, ett (1) per kassett, i IN-0003-R kassetter.• Ett (1) fleksibelt enkeltkanalsendoskop (ureteroskop – 1 mm × 850 mm) ble pakket i en IN-0004-R-kassett. <p>Kassetter inkluderte egnede instrumentholdere i silikon og var pakket inn.</p> <p>Belastning 8b for Summit Medical-validering: Bestod av belastningsgrensen på fire (4) totalt fleksible endoskopkanaler i kassetter innpakket i stive beholdere:</p> <ul style="list-style-type: none">• To (2) fleksible endoskoper med dobbel kanal (ureteroskop – 1 mm × 850 mm og 1 mm × 989 mm) ble pakket, ett (1) per kassett, i IN-0003-TF kassetter med egnede holdere i silikon. <p>Hver kassett ble plassert i en Aesculap JM442-beholder.</p>	<p>Belastning 8a = 4,3 lbs / kassett, 13 lbs totalt</p> <p>Belastning 8b = 8,3 lbs / kassett, 25 lbs totalt</p>

LAGRING

Oppbevar sluttsterile kassetter som er emballert eller pakket i beholder, i en horisontal posisjon på lagringshyllen. Henvend deg til emballasje- og beholderprodusenten angående oppbevaringstiden.

AVFALLSHÅNDTERING

I tilfelle InstruSafe®-systemer for instrumentbeskyttelse ikke består inspeksjon før bruk eller på annen måte anses å ikke lenger være egnet for bruk, skal enhetene kasseres i tråd med lokale rutiner. Kasseringsmetoden skal ta hensyn til de potensielle farene for krysskontaminering og infeksjon når behovet for avfallshåndtering blir identifisert.

RAPPORTERING AV ALVORLIGE HENDELSER

Alle alvorlige hendelser som har oppstått i sammenheng med denne enheten skal rapporteres til produsenten og FDA, / den kompetente myndigheten i medlemslandet der brukeren og/eller pasienten holder til.

GARANTI

BEGRENSET GARANTI FOR SUMMIT MEDICALS INSTRUSAFE-SYSTEM FOR INSTRUMENTBESKYTTELSE.

DENNE BEGRENSEDE GARANTIE OG BØTEMIDLET SOM HER ER ANGITT, UTELUKKER OG ERSTATTER ALLE ANDRE UTTRYKKELEGE GARANTIER OG, OM IKKE ANNET ER OPPGITT, ER EVENTUELLE ERKLÆRINGER ELLER UTSAGN AVGITT AV ANDRE PERSONER ELLER SELSKAPER UGYLDIGE. VARIGHETEN TIL ALLE STILLTIENDE GARANTIER OM SALGBARHET ELLER EGNETHET FOR ET BESTEMT FORMÅL SKAL VÆRE BEGRENSET TIL VARIGHETEN AV DEN UTTRYKKELEGE BEGRENSEDE GARANTIE. VERKEN SUMMIT MEDICAL ELLER DERES FILIALER SKAL HOLDES ANSVARLIG FOR TILFELDIGE ELLER SPESIELLE TAP ELLER SKADER ELLER FØLGETAP ELLER -SKADER SOM SKYLDDES BRUK AV ELLER MANGLENDE EVNE TIL Å BRUKE INSTRUSAFE-SYSTEMET, ENTEN DET OPPSTÅR SOM FØLGE AV BRUDD PÅ GARANTIE ELLER ANDRE LOVLIG ANERKJENTE GRUNNER.

Denne begrensede garantien gir deg bestemte juridiske rettigheter, og du kan også ha andre rettigheter som varierer fra stat til stat. Noen delstater tillater ikke begrensninger av varigheten til en underforstått garanti, eller tillater ikke utelukkelse eller begrensning av tilfeldige skader eller følgeskader, og det er derfor mulig at begrensningene ovenfor ikke gjelder for deg.

Hva garantien dekker. Summit Medical garanterer kjøperen at InstruSafe systemet beskrevet i denne begrensede garantien tilsvarer produsentens spesifikasjoner og er fritt for feil med hensyn til materiale og utførelse i en periode på 12 måneder fra kjøpsdatoen. Hvis opprinnelige kjøperen overfører InstruSafe-systemet til en annen kjøper, vil denne begrensede garantien ikke være gyldig for kjøperen produktet ble overført til.

Hva vi gjør for å korrigere feil. Hvis det oppstår feil på ditt InstruSafe-system i løpet av garantiperioden, skal du varsle Summit Medical eller en autorisert distributør eller forhandler av Summit Medical. Du skal tillate at Summit Medical eller deres representanter etter eget skjønn gjennomfører slike undersøkelser, prøver og tester, og du skal returnere produktet til fabrikkens på adressen oppgitt nederst hvis du blir bedt om å gjøre det. Summit Medicals eneste forpliktelse ved denne begrensede garantien er etter eget skjønn å reparere eller erstatte eventuelle defekte produkter uten å fakturere deler eller arbeid. Alle kostnader knyttet til post, forsikring eller transport som oppstår for å levere InstruSafe-produktet ditt til garantiservice, er ditt ansvar.

Hva garantien ikke dekker. Denne begrensede garantien avhenger av riktig bruk og vedlikehold av produktet; garantien dekker ikke produkter som har vært utsatt for feilaktig transport eller misbruk, blitt forsømt, eller vært utsatt for feil utført vedlikehold, rengjøring eller lagring, eller har blitt reparert av andre enn Summit Medical eller en autorisert distributør eller forhandler til Summit Medical, eller har blitt endret uten godkjenning fra Summit Medical. Hvis du ikke følger retningslinjene i bruksanvisningen, kan det medføre feil bruk eller feil vedlikehold av produktet, og denne begrensede garantien bortfaller. Denne garantien ikke dekker normal slitasje eller utskiftning av deler.

Hvis du har spørsmål eller klager i henhold til denne garantien, ta kontakt med:

Serviceavdeling
Summit Medical
815 Vikings Parkway, Suite 100
St. Paul, MN 55121 | USA
www.instrusafe.com

TELEFON: 651-789-3939 | 888-229-2875
FAKS: 651-789-3979 | 888-229-1941
E-POST: customerservice@innoviamedical.com

Po predloženih navodilih, ki jih je potrdil proizvajalec naprave, je naprava sposobna ponovne obdelave medicinskih pripomočkov za večkratno uporabo.

Posamezni sterilizatorji, čistoča instrumentov, specifična obremenitev pladnjev za instrumente, vrste in geometrija instrumentov, posode za sterilizacijo, filtri in ovojnine se razlikujejo na vsaki lokaciji.

PREDEN PREDATE IZDELEK V UPORABO, PREBERITE TO POGLAVJE

PREDVIDENA UPORABA/POVZETEK INDIKACIJ ZA UPORABO

Kasete/pladnji za zaščito instrumentov InstruSafe® so namenjeni shranjevanju in zaščiti medicinskih pripomočkov za večkratno uporabo med prevozom, sterilizacijo in shranjevanjem. Kasete/pladnji sistema za zaščito instrumentov InstruSafe® se uporabljajo za organizacijo in zaščito drugih medicinskih pripomočkov, ki jih sterilizira zdravstveni delavec. Kasete/pladnji za zaščito instrumentov InstruSafe so namenjeni za omogočanje sterilizacije priloženih medicinskih pripomočkov med temi cikli sterilizacije:

- Parno predsesanje (ISO 17665-1 in EN 285)
- Etilen oksid (ISO 11135)
- Potrjena nizkotemperaturna sterilizacija, (ISO 14937) t.j.
 - STERRAD® 100S Standard (kratko) ▪ STERIS® AMSCO® V-PRO 1®, V-PRO 1 Plus, V-PRO maX in V-PRO maX 2
 - STERRAD® 100NX® Express, Standard in Flex ▪ Sterizone® VP4
 - STERRAD® NX® Standard

Kasete/pladnji sistema za zaščito instrumentov InstruSafe sami po sebi niso namenjeni ohranjanju sterilnosti. Kasete/pladnji za zaščito instrumentov InstruSafe so namenjeni uporabi v povezavi z zakonito trženo ovojnino, Aesculap® togimi posodami ali Genesis™ togimi posodami.

Sterilizacijske posode InstruSafe so bile potrjene za uporabo s kasetami/pladnji sistema za zaščito instrumentov InstruSafe (predsesanje, 132 °C (270 °F), samo 4-minutni cikel parne sterilizacije) pod 510 (k) K180528. Za dodatne informacije glejte navodila za uporabo sterilizacijske posode InstruSafe®.

Celoten seznam modelov naprav je na voljo v dodatku A, ki si ga lahko ogledate na spletni strani www.instrusafe.com/ifus.

OPIS NAPRAVE

Sistemi za zaščito instrumentov Summit Medical InstruSafe so kasete/pladnji, ki se v postopkih sterilizacije ter kasnejšega skladiščenja in transporta organizirano zapirajo in držijo kirurške instrumente ter pripomočke za instrumente. Kasete/pladnji nimajo neposrednega stika z bolnikom. Kasete/pladnji sami po sebi ne vzdržujejo sterilnosti. Kasete/pladnji so različnih velikosti pri isti osnovni konfiguraciji: pravokotna podlaga z zaskočnim pokrovom. Kasete/pladnji imajo perforacije, ki omogočajo sterilantno penetracijo. Kasete/pladnji vsebujejo silikonske vložke v podstavku in/ali pokrov za držanje, organiziranje in zaščito kirurških instrumentov znotraj kasete/pladnja med postopkom sterilizacije in kasnejšim shranjevanjem ter prevozom.

PREDVIDENI UPORABNIK

Predvideni uporabniki zaščitnega sistema InstruSafe® je poklicno zdravstveno osebje v operacijski sobi in v oddelku za transport, sterilizacijo in shranjevanje medicinskih naprav.

OMEJITEV OBDELAVE

1. Konec življenjske dobe sistema za zaščito instrumentov InstruSafe je najmanj 25 ciklov sterilizacije. Pred uporabo preglejte obrabljenost ali poškodbe pladnja zaradi uporabe. Prenehajte uporabljati, če so prisotni vidni znaki obrabe, vključno s korozijo, mehanskimi okvarami, razpokami, luščenjem, nastajanjem lusk, zlomljeni zvari, poškodovane noge, poškodovani zapahi, poškodovana držala Hold-Its®/Hold-Downs; razbarvanje itd.
2. Glejte **tabelo 2** za metode sterilizacije in konfiguracije.
3. **NE PREOBREMENJUJTE** sistema InstruSafe ali njegovih komponent.
4. **NE PREOBREMENJUJTE** posameznih rež Hold-Its. Na vsako režo Hold-Its vstavite samo en instrument.
5. Uporabniki togih posod, **NE ZAVIJAJTE** sistema InstruSafe ali komponent in jih ne vstavljajte v posodo za sterilizacijo.
6. Znotraj sterilizatorjev **NE NALAGAJTE** posamezno zaviti ali v posodo vstavljenih sistemov InstruSafe ali komponent. Zavite ali v posodo shranjene sisteme InstruSafe ali sestavne dele ali katere koli druge elemente ločite med seboj na ločenih policah sterilizatorja, da se omogoči največji pretok sterilantov.
7. Uporaba nevpojnih podlog za pladnje (npr. silikonska podloga z vodilnimi rebri) lahko povzroči nastanek kondenzata. Če je vidno prisotna vlaga, ponovno sterilizirajte z daljšim časom sušenja.
8. Skupna teža sistema posod (npr. posoda, pladenj in obremenitev instrumenta) ne sme presegati 11,34 kg (25 funtov).
9. Instrumente (npr. endoskope in instrumente z lumni ali kanali) je treba pripraviti in sterilizirati v skladu z navodili proizvajalca instrumentov.
10. Odgovornost obdelovalca je, da vzdržuje posebne postopke validacije za terminalni postopek sterilizacije, ki se uporablja za konfiguriranje instrumentov in posod, ki so vneseni v postopek sterilizacije.
11. Glede dodatnih omejitev (npr. omejitve glede dimenzij ali teže), preberite navodila za uporabo proizvajalca sterilizatorja.

OPOZORILA

- Za aluminijaste sisteme InstruSafe uporabite samo detergente z nevtralnimi pH (6,0 - 8,5), da ne poškodujete zaključnega sloja površine. Pralno sredstvo z zelo kislim ali alkalnim pH lahko trajno poškoduje eloksirano aluminijasto površino kasete in kovinskih komponent.
- Ne uporabljajte, če je pakiranje poškodovano ali namenoma odprto pred uporabo.

Opomba: pred začetkom uporabe očistite kasete in jih preglejte v skladu z navodili.

SPLOŠNI VARNOSTNI UKREPI

- Osebe naj nosi vsa osebna zaščitna oblačila in opremo, kot to zahtevajo delovni postopki delodajalca/oddelka, glede na stopnjo kontaminacije, kateri bo izpostavljeno.
- Med sterilizacijo naj bodo različne kovine ločene, da preprečite korozijo.

MESTO UPORABE

Odstranite prst s krpo za enkratno uporabo/papirnato brisačo. Kontaminirane komponente je treba hraniti vlažne do uporabe kvalificiranih postopkov čiščenja.

ČIŠČENJE

Za čiščenje instrumentov glejte posebna navodila v navodilih za uporabo proizvajalca instrumenta.

Za čiščenje kasete/pladnja je priporočena uporaba ene od spodaj potrjenih možnosti čiščenja.

Uporabljajte samo nevtralne pH (6,0 - 8,5) raztopine, ki so brez natrijevega karbonata, da preprečite poškodbe površin aluminijastih kaset.

NE uporabljajte čistilnih blazinic ali abrazivnih čistil. Kaset **NE** shranjujte v tekočini.

1. Ročna groba dekontaminacija:

- A. Potrebni materiali: nevtralni pH (6,0 - 8,5) encimski detergent, mehka krtača s ščetinami in tekoča voda.
- B. S krtačo z mehкими ščetinami odstranite vso vidno prst in umazanijo. Med čiščenjem potopite celotno kaseto, kar pomaga pri odstranjevanju onesnaženosti in zmanjša brizganje detergenta po osebi, za vsaj 2 minuti.
- C. Temeljito izpirajte s čisto vodo vsaj 1 minuto, da odstranite ves detergent. Glejte navodila za izpiranje na nalepki detergenta.

2. Ultrazvočno čiščenje:

- A. Pripravite encimsko pranje v ultrazvočni čistilni enoti.
- B. V detergent vstavljajte po eno kaseto in čistite najmanj deset minut.
- C. Izpirajte najmanj 2 minuti s hladno tekočo vodo.
- D. Vizualno preglejte kaseto glede morebitnega onesnaženja. Po potrebi ponovite cikel, da odstranite vidno umazanijo.

3. Samodejno pranje:

Sistemi za zaščito instrumentov InstruSafe so potrjeni za sistemski cikel samodejnega pranja, naveden v **tabeli 1**. Potrjevanje določenih parametrov bo moral izvajati obdelovalec.

Tabela 1

CIKEL	TEMPERATURA VODE	PROCES ČIŠČENJA
Predpranje 1 in 2	Mrzla voda iz pipe	Čas recirkulacije: 2 minuti
Encimsko pranje	Vroča voda iz pipe	Čas namakanja: 4 minute
Pranje 1	Segreto na 65,5 °C (150 °F)	Čas recirkulacije: 15 minut
Izpiranje 1 in 2	Vroča voda iz pipe	Čas recirkulacije: 5 minute

Opomba: Po zaključku samodejnega cikla pranja vizualno preglejte, ali so v sistemu InstruSafe (kasete in dodatki) morebitni prisotni preostali vidni drobcji prsti. Vso vidno zemljo je treba pred pošiljanjem na sterilizacijo odstraniti z ročnim čiščenjem, ščetkanjem, ultrazvokom ali dodatnimi avtomatskimi cikli.

DEZINFEKCIJA

Sistemi InstruSafe so namenjeni končni sterilizaciji.

VZDRŽEVANJE, PREGLEDI IN PRESKUSI

Sisteme InstruSafe je mogoče ponovno uporabljati tako dolgo, dokler ne pride do nesprejemljivega poslabšanja, kot so korozija, razpoke, rja, luščenje, luske, razbarvanje ali mehanske okvare.

Znaki mehanskih okvar vključujejo:

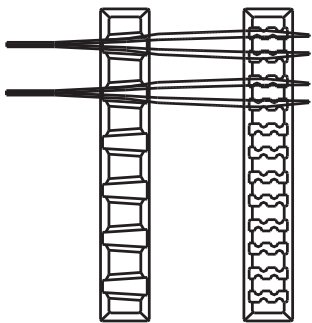
- Polomljene ali razpokane vogale ali zvale
- Polomljene ali nedelujoče zapahe
- Manjkajoče, raztrgane ali prerezane silikonske vložke
- Manjkajoče ali poškodovane noge

SESTAVA

1. Instrumente postavite v vnaprej določena držala ali na območje, ki ga določajo locirna mesta, tako da bodo vse površine instrumentov izpostavljene sterilantu. Glejte **sliko A**. Prepričajte se da je v vsaki reži samo po en instrument. Kadar je mogoče, razstavite ali odprite vse dele instrumentacije v skladu z navodili proizvajalca instrumenta.

NE preobremenjujte držal in ne prekoračite omejitve teže kaset. Glejte prilogo A.

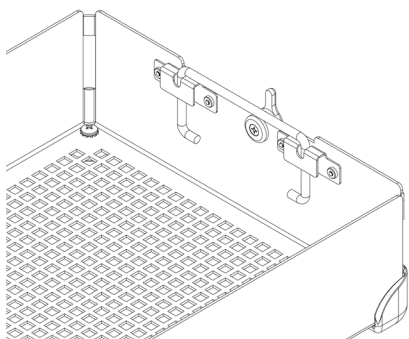
Slika A:



Opomba: Instrumente (npr. endoskope in instrumente z lumni ali kanali) je treba pripraviti in sterilizirati v skladu z navodili proizvajalca instrumentov za uporabo.

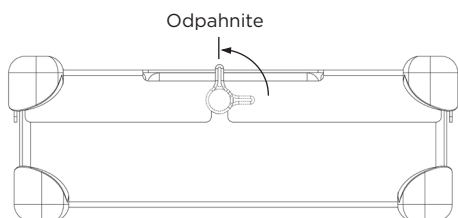
2. Prepričajte se, da so ročaji nameščeni znotraj kasete (izvlečen položaj). Prikazano na **sliki B**.

Slika B:



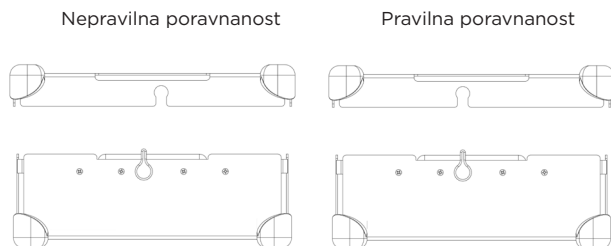
3. Namestite pokrov kasete na dno kasete in tako zagotovite, da so zapahi pravilno poravnani z režo na pokrovu kasete, nato pa zaprite zapah. Glejte **sliko C**.

Slika C:



Opomba: Zapahi so nameščeni tako, da se pokrov kasete vedno ustrezno poravnava z dnom. To zagotavlja, da so držala poravnana, ko je pokrov pritrjen. Glejte **sliko D** za pravilno poravnavo. **Pokrova kasete na dno kasete NE postavljajte na silo, saj lahko poškodujete instrumente in kaseto.**

Slika D:



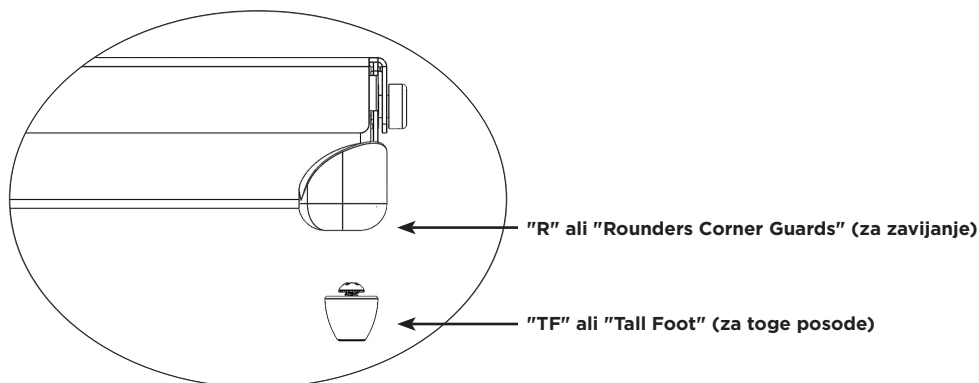
PAKIRANJE

Sisteme InstruSafe lahko ovijete z zakonito trženo ovojnino ali jih postavite v zakonito tržene toge posode. Glejte indikacije za uporabo, ki jih najdete v navodilih za uporabo.

Uporaba z ovojem:

1. Preden zavijete kaseto, se prepričajte, da ima ustrezen spodnji del. R je treba uporabiti z ovojnino. Glejte **slika F**.

Slika F:



2. Kaseto zavijte v zakonito trženo ovojnino v skladu z navodili proizvajalca ovoja.
3. Embalažo sterilizirajte ob uporabi enega od ciklov sterilizacije, naštetega v navodilih za uporabo.

Uporaba s togo posodo:

Glejte indikacije za uporabo, ki jih najdete v navodilih za uporabo.

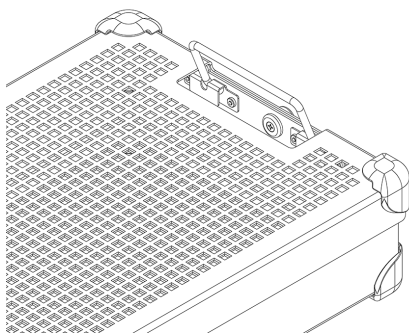
1. Preden kaseto postavite v togo posodo, se prepričajte, da ima ustrezen spodnji del. TF je treba uporabljati s togo posodo. Glejte **slika F**.
2. Kaseto postavite v togo posodo. Upoštevajte navodila proizvajalca posode, da zagotovite ustrezno tesnjenje posode.
Opomba: Preden kasete postavite v posodo za sterilizacijo, jih ne zavijajte.
3. Posodo z vsebino sterilizirajte ob uporabi enega od ciklov sterilizacije, naštetega v navodilih za uporabo.

Dodatne informacije:

če želite kaseto odstraniti iz toge posode, upoštevajte navodila za uporabo proizvajalca posode.

1. Z rokavicami na rokah obrnite palce navzven in segajte skozi odprtine na pokrovu kasete.
2. Primite ročaja kasete in ju dvignite v dvignjen položaj. Glejte **slika G**.

Slika G:



3. Ročaja nagnite navznoter, stran od toge posode in dvignite kaseto iz posode, pri čemer pazite, da se ne dotaknete vrha ali zunanega dela posode.
4. Postavite kaseto na sterilno površino.

STERILIZACIJA

Glejte **tabelo 2** za parametre sterilizacije, ki so bili potrjeni za sterilizacijo sistema InstruSafe.

Tabela 2.

METODE STERILIZACIJE	CIKEL <i>(krat)</i>
Parno pedsesanje	Parameter: Temperatura 132 °C (270 °F) Čas izpostavljenosti 4 minute Čas sušenja 30 minut
Etilen oksid (EO)	Predpriprava: Temperatura 55 °C (131 °F) Relativna vlažnost 70 ± 15 % Čas predpriprave 1 ura Sterilizacija: Čas izpostavljenosti 120 minut Temperatura 55 °C (131 °F) Čas prezračevanja 12 ur
STERRAD 100S	<i>Standard</i>
STERRAD 100NX	<i>Standard, Express, Flex</i>
STERRAD NX	<i>Standard</i>
STERIS AMSCO V-PRO 1	<i>Standard</i>
STERIS AMSCO V-PRO 1 PLUS	<i>Lumen, ne-Lumen</i>
STERIS AMSCO V-PRO maX	<i>Lumen, ne-Lumen</i>
STERIS AMSCO V-PRO maX 2	<i>Lumen, ne-Lumen</i>
Sterizone VP4	<i>1. cikel</i>

Summit Medical je potrdil naslednje metode sterilizacije:

- 4 minutni cikel sterilizacije z avtoklaviranjem v zakonito trženi ovojnini, sterilizacijski posodi IntruSafe, togi posodi Aesculap ali togi posodi Genesis, ki jih je odobril FDA. Pod K180528 je bila sterilizacijska posoda InstruSafe potrjena za uporabo s kasetami/pladnji sistema za zaščito instrumentov InstruSafe.
- Cikel sterilizacije z etilen oksidom (EO) v zakonito trženi ovojnini, togi posodi Aesculap ali togi posodi Genesis, ki jih je odobril FDA.
- Cikel sterilizacije STERRAD 100S Standard v zakonito trženi ovojnini, togi posodi Aesculap ali togi posodi Genesis, ki jih je odobril FDA.
- Cikel sterilizacije STERRAD 100NX Standard v zakonito trženi ovojnini, togi posodi Aesculap ali togi posodi Genesis, ki jih je odobril FDA.
- Cikel sterilizacije STERRAD 100NX Express v zakonito trženi ovojnini, togi posodi Aesculap ali togi posodi Genesis, ki jih je odobril FDA.
- Cikel sterilizacije STERRAD 100NX Flex v zakonito trženi ovojnini, togi posodi Aesculap ali togi posodi Genesis, ki jih je odobril FDA.
- Cikel sterilizacije STERRAD NX Standard v zakonito trženi ovojnini, togi posodi Aesculap ali togi posodi Genesis, ki jih je odobril FDA.
- Cikli sterilizacije STERIS AMSCO V-PRO 1, V-PRO 1 PLUS, V-PRO maX in V-PRO maX 2 v zakonito trženi ovojnini ali togi posodi Aesculap, ki jih je odobril FDA.
- Cikel sterilizacije Sterizone VP4 v zakonito trženi ovojnini, togi posodi Aesculap ali togi posodi Genesis, ki jih je odobril FDA.

NE prekoračite nosilnosti sterilne posode, ki jo je določil proizvajalec.

Za vzdrževanje sterilnosti uporabite dodatke, ki jih je odobril FDA.

Preverite navodila za uporabo sterilizatorja, da se prepričate, ali so predvidene obremenitve združljive s predvidenim sterilizacijskim ciklom.

Preberite navodila za uporabo posode, da se prepričate, ali je predvideno breme združljivo z bremenom, ki ga je za posodo odobril FDA.

INDIKACIJE ZA UPORABO

4 minutne parne, ovojne in Aesculap® toge posode

Kasete sistema za zaščito instrumentov InstruSafe® se uporabljajo za pripravo in zaščito drugih medicinskih pripomočkov, ki jih sterilizira izvajalec zdravstvenih storitev. Kasete sistema za zaščito instrumentov InstruSafe so namenjene za omogočanje sterilizacije priloženih medicinskih pripomočkov med sterilizacijskim ciklom parnega predsesanja. Kasete sistema za zaščito instrumentov InstruSafe so namenjene uporabi v povezavi z zakonito trženo togimi posodami Aesculap. Kasete za zaščito instrumentov InstruSafe same po sebi niso namenjene ohranjanju sterilnosti.

Parameter sterilizacije v avtoklavu	
Cikel	Predsesanje
Temperatura	270 °F (132 °C)
Čas izpostavljenosti	4 minute
Minimalni čas sušenja	30 minut
Model kasete Summit	Model posode Aesculap
IN-8823-AE	*JN444
IN-2880	*JK444
IN-6105	*JN742
<i>*Odobril Summit Medical; SAMO za uporabo v vakuumskih parnih sterilizatorjih, ki delujejo na 132 °C (270 °F) za čas izpostavljenosti 4 minut. Preverite navodila za uporabo posode, da zagotovite, da vsebina ne presega omejitve obremenitve posode za sterilizacijo.</i>	

Zahteve za lumen za 4-minutni cikel vakuumske parne sterilizacije			
Model kasete Summit	Najmanjši notranji premer	Največja dolžina	Število Lumnov
IN-8823-CF	3 mm	400 mm	4
IN-8823-CF	3 mm	200 mm	2
IN-2880	1 mm	76 mm	2
IN-2880	3 mm	177 mm	1
IN-6105	5 mm	241 mm	1
IN-2681	1 mm	65 mm	1
IN-2681	3 mm	200 mm	1
IN-7823	1 mm	400 mm	17

4 minutne parne, toge posode Genesis™

Kasete sistema za zaščito instrumentov InstruSafe® se uporabljajo za pripravo in zaščito drugih medicinskih pripomočkov, ki jih sterilizira izvajalec zdravstvenih storitev. Kasete sistema za zaščito instrumentov InstruSafe so namenjene za omogočanje sterilizacije priloženih medicinskih pripomočkov med sterilizacijskim ciklom parnega predsesanja. Kasete sistema za zaščito instrumentov InstruSafe so namenjene uporabi v povezavi z zakonito trženimi togimi posodami Genesis. Kasete za zaščito instrumentov InstruSafe same po sebi niso namenjene ohranjanju sterilnosti. Celoten seznam modelov naprav je na voljo v Prilogi A.

Zahteve za lumen za 4-minutni cikel vakuumske parne sterilizacije			
Model kasete Summit	Najmanjši notranji premer	Največja dolžina	Število Lumnov
IN-2681	1 mm	65 mm	1
IN-2681	3 mm	200 mm	1
IN-6105	5 mm	241 mm	1
IN-0000	1 mm	400 mm	5
	3 mm	400 mm	1
	5 mm	400 mm	1

INDIKACIJE ZA UPORABO (nadaljevanje)

8-minutni parni in Etilen oksid (EO), ovojnine in toge posode Genesis™

Kasete sistema za zaščito instrumentov InstruSafe® se uporabljajo za organizacijo in zaščito drugih medicinskih pripomočkov, ki jih sterilizira zdravstveni delavec. Kasete InstruSafe so namenjene za omogočanje sterilizacije priloženih medicinskih pripomočkov med sterilizacijskim ciklom parnega predsesanja ali etilen oksida. Kasete sistema InstruSafe so namenjene za uporabo skupaj z osrednjo zakonito trženo ovojnino ali s togo posodo Genesis. Kasete sistema InstruSafe same po sebi niso namenjene ohranjanju sterilnosti.

Metode in konfiguracije sterilizacije

8-minutna predpriprava s paro pri 132 °C	
140-krat prešita ovojnila	10-minutni čas sušenja
Netkana ovojnila (Kimberly Clark)	50-minutni čas sušenja
Posoda Genesis (sklic na tabelo 1 za uporabo filtrirnega papirja)	30-minutni čas sušenja

Etilen oksid (EO)
<ul style="list-style-type: none">1-urna predpriprava pri 55 °C (131 °F) z relativno vlažnostjo 70 ± 15 %2-urna izpostavljenost pri 55 °C (131 °F)12-urno prezračevanje

Posoda Genesis	Filtrski papir posode Genesis
CD2-4B	FX3-1: 9 x 9"
CD2-5B	FX3-1: 9 x 9"
CD3-4B	FX3-1: 9 x 9"
CD3-5B	FX3-1: 9 x 9"
CD3-6B	FX3-1: 9 x 9"
CD3-7B	FX3-1: 9 x 9"
CD4-5B	FO3-2: 9 x 6"
CD5-61B	FO3-2: 9 x 6"
CD6-6B	FX3-1: 9 x 9"

Glejte V. Mueller Genesis Sterilizer Container System - Navodila za uporabo pri uporabi katere koli toge posode Genesis.

STERRAD® 100S IN STERRAD® 100NX® cikli Standard, ovojnila in Aesculap® toge posode

Kasete sistema za zaščito instrumentov InstruSafe® se uporabljajo za pripravo in zaščito drugih medicinskih pripomočkov, ki jih sterilizira izvajalec zdravstvenih storitev. Kasete sistema za zaščito instrumentov InstruSafe so namenjene za omogočanje sterilizacije priloženih medicinskih pripomočkov med sterilizacijskimi cikli Sterrad 100S Standard in Sterrad 100NX Standard. Kasete sistema za zaščito instrumentov InstruSafe so namenjene uporabi v povezavi z zakonito trženo ovojnino ali togimi posodami Aesculap. Kasete za zaščito instrumentov InstruSafe same po sebi niso namenjene ohranjanju sterilnosti. Celoten seznam modelov naprav je na voljo v Prilogi A.

Naslednji sterilizacijski pladnji so bili potrjeni z ustreznimi togimi posodami:

STERRAD 100S cikel Standard	
Model kasete Summit	Model posode Aesculap
IN-8823-AE	*JM444
IN-6105	*JM440

STERRAD 100NX cikel Standard	
Model kasete Summit	Model posode Aesculap
IN-8823-AE	*JM444
IN-6105	*JM440

*Odobril Summit Medical SAMO za uporabo s STERRAD 100S v ciklu Standard in s STERRAD 100NX v ciklu Standard. Preverite navodila za uporabo posode, da zagotovite, da vsebina ne presega omejitve obremenitve posode za sterilizacijo.

Zahteve za lumen za cikle STERRAD 100S Standard in STERRAD 100NX Standard	
4 lumni iz nerjavnega jekla z notranjim premerom 3 mm x 400 mm dolžine	Vsi primerno veliki modeli so navedeni v dodatku A z izjemo IN-2681.
2 lumna iz nerjavnega jekla z notranjim premerom 3 mm x 200 mm dolžine	
1 lumen iz nerjavnega jekla z notranjim premerom 3 mm x 200 mm dolžine	IN-2681
1 lumen iz nerjavnega jekla z notranjim premerom 1 mm x 65 mm dolžine	

INDIKACIJE ZA UPORABO (nadaljevanje)

STERRAD® NX® cikel Standard, ovoji in Aesculap® toge posode

Kasete sistema za zaščito instrumentov InstruSafe® se uporabljajo za pripravo in zaščito drugih medicinskih pripomočkov, ki jih sterilizira izvajalec zdravstvenih storitev. Kasete sistema za zaščito instrumentov InstruSafe so namenjene omogočanju sterilizacije priloženih medicinskih pripomočkov med sterilizacijskim ciklom Sterrad NX Standard. Kasete sistema za zaščito instrumentov InstruSafe so namenjene uporabi v povezavi z zakonito trženo ovojem ali togimi posodami Aesculap. Kasete za zaščito instrumentov InstruSafe same po sebi niso namenjene ohranjanju sterilnosti. Celoten seznam modelov naprav je na voljo v Prilogi A.

Metode in konfiguracije sterilizacije

- Sterilizacijski cikel Sterrad NX Standard

Zahteve za sterilizacijski cikel STERRAD NX Standard			
Model kasete Summit	Najmanjši notranji premer	Največja dolžina	Število Lumnov
IN-2681	1 mm	65 mm	1
IN-2681	3 mm	200 mm	1
IN-8987-S	1 mm	500 mm	5
IN-8615	2,3 mm	210 mm	5
IN-6105	4 mm	235 mm	1

Opomba: najslabši primer potrjene obremenitve, ki temelji na izračunu od prezračevanja do prostornine, je pladenj IN-2681.

STERRAD® 100NX® Express cikel, ovojina

Kasete sistema za zaščito instrumentov InstruSafe® se uporabljajo za pripravo in zaščito drugih medicinskih pripomočkov, ki jih sterilizira izvajalec zdravstvenih storitev. Kasete sistema za zaščito instrumentov InstruSafe so namenjene omogočanju sterilizacije priloženih medicinskih pripomočkov med ciklom Sterrad® 100NX Express. Kasete sistema za zaščito instrumentov InstruSafe so namenjene uporabi v povezavi z zakonito trženo ovojino. Kasete za zaščito instrumentov InstruSafe same po sebi niso namenjene ohranjanju sterilnosti. Sistem za zaščito instrumentov InstruSafe nima zahtev za lumen za cikel Sterrad 100NX Express

STERRAD® 100NX® sterilizacijski cikel Flex, ovojina in toge posode Aesculap®

Kasete sistema za zaščito instrumentov InstruSafe® se uporabljajo za pripravo in zaščito drugih medicinskih pripomočkov, ki jih sterilizira izvajalec zdravstvenih storitev. Kasete sistema za zaščito instrumentov InstruSafe so namenjene za omogočanju sterilizacije priloženih medicinskih pripomočkov med ciklom sterilizacije Sterrad 100NX Flex. Kasete sistema za zaščito instrumentov InstruSafe so namenjene uporabi v povezavi z zakonito trženo ovojem ali togimi posodami Aesculap. Kasete za zaščito instrumentov InstruSafe same po sebi niso namenjene ohranjanju sterilnosti. Celoten seznam modelov naprav je na voljo v Prilogi A.

STERRAD 100NX Flex Sterilizacijski cikel	
Model kasete Summit	Model posode Aesculap
IN-0000	*JM440
IN-6105	*JM440

*Odobril Summit Medical SAMO za uporabo s STERRAD 100NX v ciklu Standard. Preverite navodila za uporabo posode, da zagotovite, da vsebina ne presega omejitve obremenitve posode za sterilizacijo.

Zahteve za sterilizacijski cikel STERRAD 100NX Flex				
Model kasete Summit	Najmanjši notranji premer	Največja dolžina	Število Lumnov	Ovojina/toga Posoda
IN-0000	1 mm	850 mm	1	Ovojina + toga posoda
IN-8823	1 mm	850 mm	1	Ovojina + toga posoda
IN-7344	1 mm	850 mm	1	Ovojina
IN-6105	4 mm	235 mm	1	Ovojina + toga posoda

Najslabši primer potrjene obremenitve, ki temelji na izračunu od prezračevanja do prostornine, je pladenj IN-0000.

Opomba: pladenj IN-0000 je namenjen samo testiranju.

INDIKACIJE ZA UPORABO (nadaljevanje)

AMSCO® V-PRO® nizekotemperaturni cikli sterilizacije, ovojnina in Aesculap® toge posode

Kasete InstruSafe® za zaščito instrumentov se uporabljajo za urejanje in zaščito drugih medicinskih pripomočkov, ki jih sterilizira izvajalec zdravstvenih storitev. Kasete InstruSafe za zaščito instrumentov so namenjene omogočanju sterilizacije priloženih medicinskih pripomočkov med cikli nizekotemperaturne sterilizacije Amsco V-PRO. Kasete sistema za zaščito instrumentov InstruSafe so namenjene uporabi v povezavi z zakonito trženo ovojno ali togimi posodami Aesculap. Kasete za zaščito instrumentov InstruSafe same po sebi niso namenjene ohranjanju sterilnosti. Celoten seznam modelov naprav je na voljo v Prilogi A.

Nizekotemperaturni sistemi sterilizacije AMSCO V-PRO			
Sterilizator	Standardni cikel	Lumenski cikel	Nelumenski cikel
V-PRO 1	X	NI PODATKA	NI PODATKA
V-PRO 1 PLUS	NI PODATKA	X	X
V-PRO maX	NI PODATKA	X	X
V-PRO maX 2	NI PODATKA	X	X
Model kasete Summit		Model posode Aesculap	
IN-8823		*JM444	
IN-6105		*JM742	
<i>*Odobril Summit Medical, SAMO za uporabo v nizekotemperaturnih sistemih sterilizacije AMSCO V-PRO. Kadar posodo Aesculap uporabljate kot sterilno pregrado, obremenitev (vrhnji pladenj in vsebina) ne sme presegati zahtev glede obremenitve posode in vrste obremenitve.</i>			

Velikosti potrjene inštrumentacije v lumnih vključujejo:			
Model kasete Summit	Najmanjši notranji premer	Največja dolžina	Število Lumnov
IN-8823	3 mm	400 mm	2
IN-6105	3 mm	200 mm	1
IN-2681	1 mm	64 mm	1
Opomba: najslabši primer potrjene obremenitve, ki temelji na izračunu od prezračevanja do prostornine, je pladenj IN-2681.			

INDIKACIJE ZA UPORABO (nadaljevanje)

VP4 Sterizone, ovojnina in toga posoda Aesculap®

Kasete (pladnji) sistema za zaščito instrumentov InstruSafe® se uporabljajo za organizacijo in zaščito drugih medicinskih pripomočkov, ki jih sterilizira zdravstveni delavec. Kasete sistema za zaščito instrumentov InstruSafe®, namenjene sterilizaciji priloženih medicinskih pripomočkov med 1. ciklom sterilizacije STERIZONE VP4 priloženih medicinskih pripomočkov med nizkotemperaturnimi cikli sterilizacije. Kasete sistema za zaščito instrumentov InstruSafe so namenjene uporabi v povezavi z zakonito trženo ovojnino ali togimi posodami Aesculap. Kasete za zaščito instrumentov InstruSafe same po sebi niso namenjene ohranjanju sterilnosti.

Podjetje Summit Medical je potrdilo uporabo kaset sistema za zaščito instrumentov InstruSafe v 1. ciklu sterilizatorja STERIZONE VP4 z demonstracijo učinkovitosti sterilizacije ob uporabi reprezentativnih vzorcev medicinskih pripomočkov, vključno s splošnimi instrumenti, togimi in poltogi instrumenti za lumni in fleksibilnimi endoskopi. Validacija je zagotovila informacije, ki so bile uporabljene za določitev konstrukcijskih omejitev, ki se uporabljajo v celotnem obsegu kaset sistema za zaščito instrumentov InstruSafe za zagotavljanje, da vsi modeli spadajo v potrjene omejitve za prezračevanje kaset, število notranjih polic in težo:

- Najmanjše razmerje med prezračevanjem in prostornino, splošni instrumenti: 0,073
- Najmanjše razmerje med prezračevanjem in prostornino, fleksibilni endoskopi: 0,263
- Največje število notranjih polic: dve (2)
- Največja teža kasete (vključno z vsebino): 25 funtov/kaseta

Glejte spodnjo tabelo za potrjene obremenitve s kasetami sistema za zaščito instrumentov InstruSafe. Glejte navodila za uporabo proizvajalca sterilizatorja, da zagotovite, da obremenitve ne presežejo zahtevanih mej za sterilizator.

Opis obremenitev sistema za zaščito instrumentov InstruSafe.

Številka predstavnika za potrditev obremenitve sterilizatorja STERIZONE® VP4 (K190260)	Opis potrditve obremenitve podjetja Summit Medical	Skupna teža obremenitve (ne vključuje 25 funtov nosilca)
4	<p>Obremenitev 4a: sestoji iz omejitve obremenitve za toge in poltoge instrumente s kanali:</p> <ul style="list-style-type: none"> • Paket vsebuje tri (3) poltoge endoskope z dvema kanaloma (ureteroskop – 0,7 mm × 500 mm in 1,1 mm × 500 mm), enega (1) na kaseto, v treh (3) kasetah IN 7323-R. • Dodani so bili dodatni togi instrumenti s kanali, da se je doseglo skupno število 15 kanalov. <p>Vsaka kaseta je imela ustrezna silikonska držala za instrumente in je bila zavita.</p> <p>Obremenitev 4b: sestoji iz omejitve obremenitve za toge in poltoge instrumente s kanali:</p> <ul style="list-style-type: none"> • Paket vsebuje tri (3) poltoge endoskope z dvema kanaloma (ureteroskop – 0,7 mm × 400 mm in 1,1 mm × 400 mm), enega (1) na kaseto, v treh (3) kasetah IN-0007-TF. • Dodani so bili dodatni togi instrumenti s kanali, da se je doseglo skupno število 15 kanalov. <p>Vsaka kaseta je vključevala ustrezna silikonska držala za instrumente in je bila nameščena v togo posodo Aesculap JM440.</p>	<p>Obremenitev 4a = 5 funtov/kaseta, skupaj 15 funtov</p> <p>Obremenitev 4b = 11 funtov/kaseta, skupaj 33 funtov</p>
7	<p>Potrditev obremenitve podjetja Summit Medical 7a: sestoji iz omejitve obremenitve za splošne medicinske instrumente, ki predstavljajo naslednje geometrije:</p> <ul style="list-style-type: none"> • tečaj za ključavnico, • tečaj z vrtljivim ležajem, • nastavek po Luerju. <p>Splošni medicinski instrumenti so bili razporejeni po treh (3) kasetah IN-7323-R z ustreznimi silikonskimi držali, teža vsakega instrumenta pa je bila 25 funtov. Kasete so bile ovite.</p> <p>Potrditev obremenitve podjetja Summit Medical 7b: sestoji iz omejitve obremenitve za splošne medicinske instrumente, ki predstavljajo naslednje geometrije:</p> <ul style="list-style-type: none"> • tečaj za ključavnico, • tečaj z vrtljivim ležajem, • nastavek po Luerju. <p>Splošni medicinski instrumenti so bili razporejeni po treh (3) kasetah IN-0006-TF z ustreznimi silikonskimi držali. Kasete so bile postavljene v posode Aesculap JM440, vsaka pa je tehtala 25 funtov.</p>	<p>Obremenitev 7a = 25 funtov/kaseta skupaj 75 funtov</p> <p>Obremenitev 7b = 25 funtov/kaseta skupaj 75 funtov</p>
8	<p>Potrditev obremenitve podjetja Summit Medical 8a: sestoji iz omejitve obremenitve skupno petih (5) kanalov fleksibilnih endoskopov v ovitih kasetah:</p> <ul style="list-style-type: none"> • Paket vsebuje dva (2) fleksibilna endoskopa z dvema kanaloma (ureteroskopi – 1 mm × 850 mm in 1 mm × 989 mm), enega (1) na kaseto, v kasetah IN-0003-R. • Paket vsebuje en (1) fleksibilen endoskop z enim kanalom (ureteroskop – 1 mm × 850 mm) v kaseti IN-0004-R. <p>Kasete so imele ustrezna silikonska držala in so bile zavite.</p> <p>Potrditev obremenitve podjetja Summit Medical 8b: sestoji iz omejitve obremenitve skupno štirih (4) kanalov fleksibilnih endoskopov v kasetah, ki so pakirani v toge posode:</p> <ul style="list-style-type: none"> • Paket vsebuje dva (2) fleksibilna endoskopa z dvema kanaloma (ureteroskop – 1 mm × 850 mm in 1 mm × 989 mm), enega (1) na kaseto, v kasetah IN-0003-TF z ustreznimi silikonskimi držali. <p>Vsaka kaseta je bila položena v posodo Aesculap JM442.</p>	<p>Obremenitev 8a = 4,3 funtov/kaseta, skupaj 13 funtov</p> <p>Obremenitev 8b = 8,3 funtov/kaseta, skupaj 25 funtov</p>

SHRANJEVANJE

Končno sterilne kasete, ki so zavite ali v posodah, shranite na polico za shranjevanje v vodoravnem položaju. Glede informacij o življenjski dobi se posvetujte s proizvajalcem obojnice ali posode.

ODSTRANJEVANJE

V primeru, da sistemi InstruSafe® za zaščito instrumentov pred uporabo niso pregledani ali če se drugače ne štejejo več za primerne, naprave zavržite v skladu z lokalnim protokolom. Način odstranjevanja je odvisen od možnih tveganj navzkrižne kontaminacije in okužbe, ko se ugotovi potreba po odstranjevanju.

POROČANJE O RESNIH INCIDENTIH

Vsak resen incident, ki se je zgodil v zvezi z instrumentom, je treba sporočiti proizvajalcu in FDA/pristojnemu organu države članice, v kateri ima uporabnik in/ali bolnik sedež.

GARANCIJA

OMEJENA GARANCIJA ZA SISTEM SUMMIT INSTRUSAFE ZA ZAŠČITO MEDICINSKIH INSTRUMENTOV.

TUKAJ NAVEDENA OMEJENA GARANCIJA IN OMEJITVE SO EKSKLUZIVNE IN VELJAJO V SMISLU VSEH DRUGIH HITRIH GARANCIJ IN, RAZEN ČE TUKAJ NI NAVEDENO DRUGAČE, SO VSE TRDITVE ALI OBLJUBE S STANI DRUGIH OSEB ALI PODJETIJ NIČNE. TRAJANJE VSEH IZRECNIH GARANCIJ ZA PRODAJO ALI PRIMERNOSTI ZA DOLOČEN NAMEN JE OMEJENO NA TRAJANJE HITRE OMEJENE GARANCIJE. SUMMIT MEDICAL ALI NJEGOVE PODRUŽNICE NE BO ODGOVOREN ZA KAKRŠNE KOLI NAKLJUČNE, POSLEDIČNE ALI POSEBNE IZGUBE ALI POŠKODBE, KI IZHAJAJO IZ UPORABE ALI NEZMOŽNOSTI UPORABE SISTEMA INSTRUSAFE, ČE SO POSLEDICA KRŠITVE GARANCIJE ALI DRUGEGA PRAVNEGA PREDPISA.

Ta omejena garancija vam daje posebne pravne pravice, lahko pa imate tudi druge pravice, ki se razlikujejo od države do države. Nekatere države ne dovoljujejo omejitev, kako dolgo traja implicitna garancija, ali ne dovoljujejo izključitve ali omejitev naključnih ali posledičnih škod, zato zgornja omejitev ali izključitve morda ne veljajo za vas.

Kaj je zajeto? Summit Medical prvotnemu kupcu jamči, da je sistem InstruSafe, ki je predmet te omejene garancije, v skladu s specifikacijami proizvajalca in da v 12 mesecih od datuma prvotnega nakupa ne bo imel napak v izdelavi in materialu. Če prvotni kupec prenese sistem InstruSafe na drugo osebo, potem ta oseba omejene garancije ne bo mogla uveljavljati.

Kaj bomo naredili za odpravljanje težav? Če se bo sistem InstruSafe v tem obdobju pokvaril, morate o tem obvestiti Summit Medical ali pooblaščenega distributerja ali prodajalca Summit Medical. Podjetju Summit Medical ali njegovim zastopnikom morate dovoliti takšne preiskave, preglede in preizkuse, kot se mu zdijo ustrezni, in če bo od vas to zahtevano, boste izdelek vrnili v tovarno na spodnjem naslovu. Edina obveznost podjetja Summit Medical iz te omejene garancije je, da po lastni izbiri popravi ali zamenja pokvarjen izdelek ali izdelke brez stroškov za material ali opravljeno delo. Za stroške poštnine, zavarovanja ali pošiljanja, ki so nastali zaradi predstavitve izdelka InstruSafe v zvezi z garancijsko storitvijo, ste odgovorni sami.

Kaj ni zajeto? Ta omejena garancija je odvisna od pravilne uporabe in vzdrževanja izdelka; ne zajema izdelkov, ki so bili nepravilno odposlani ali ki so bili nepravilno uporabljani, se je z njimi slabo ravnalo, so bili zanemarjani ali nepravilno vzdrževani, očiščeni ali shranjeni, ali ki so bili servisirani s strani tretjih in ne podjetja Summit Medical ali pooblaščenega distributerja ali prodajalca Summit Medical ali pa so bile spremembe izvedene brez izrecne odobritve Summit Medical. Neupoštevanje navodil v priročniku za uporabo lahko pomeni nepravilno uporabo ali vzdrževanje izdelka in povzroči, da ta omejena garancija ne bo veljavna. Ta garancija ne velja za običajno obrabo ali nadomestne dele.

Če imate vprašanja ali zahteve v zvezi s to garancijo, se obrnite na:

Služba za pomoč strankam
Summit Medical
815 Vikings Parkway, Suite 100
St. Paul, MN 55121 | USA
www.instrusafe.com

TELEFON: 651-789-3939 | 888-229-2875
FAKS: 651-789-3979 | 888-229-1941
E-POŠTA: customerservice@innoviamedical.com



Предоставените тук инструкции са валидирани от производителя на изделието като подходящи за повторна обработка на медицински изделия за многократна употреба.

Отделните стерилизатори, чистотата на инструментите, специфичното зареждане на таблите за инструменти, типове и геометрията на инструментите, контейнерите за стерилизация, филтрите и материалите за обвиване са различни за всяко местоположение.

ПРОЧЕТЕТЕ ТОЗИ РАЗДЕЛ, ПРЕДИ ДА ВЪВЕДЕТЕ ПРОДУКТА В ЕКСПЛОАТАЦИЯ

РЕЗЮМЕ НА ПРЕДВИДЕНАТА УПОТРЕБА/УКАЗАНИЯТА ЗА УПОТРЕБА

Касетите/таблите на системите за защита на инструменти InstruSafe® са предназначени да съдържат и предпазват многократно използваните медицински изделия по време на транспорт, стерилизация и съхранение. Касетите/таблите от системата за защита на инструменти InstruSafe® се използват за подреждане и защита на други медицински изделия, които се стерилизират от доставчика на здравни услуги. Касетите/таблите от системата за защита на инструменти InstruSafe са създадени за стерилизация на поставените в тях медицински изделия по време на следните цикли на стерилизация:

- Парен предвакуумен (ISO 17665-1 и EN 285)
- Етилен оксид (ISO 11135)
- Валидирана нискотемпературна стерилизация, (ISO 14937), т.е.
 - STERRAD® 100S Standard (кратък) ■ STERIS® AMSCO® V-PRO 1®, V-PRO 1 Plus, V-PRO maX и V-PRO maX 2
 - STERRAD® 100NX® Express, Standard и Flex ■ Sterizone® VP4
 - STERRAD® NX® Standard

Касетите/таблите от системата за защита на инструменти InstruSafe не са предназначени за самостоятелно поддържане на стерилност.

Касетите/таблите от системата за защита на инструменти InstruSafe са предназначени за използване заедно с разрешен за пускане на пазара материал за обвиване, твърди контейнери Aesculap® или Genesis™.

Контейнерите за стерилизация InstruSafe са валидирани за използване с касети/табли на InstruSafe Instrument Protection System (предвакуумен, 270°F (132°C), само 4-минутен цикъл на стерилизация с пара) съгласно 510(k) K180528. За допълнителна информация. вижте инструкциите за употреба на контейнера за стерилизация на InstruSafe®.

Пълен списък с модели устройства е предоставен в Приложение А, което можете да прегледате на адрес www.instrusafe.com/ifus.

ОПИСАНИЕ НА ИЗДЕЛИЕТО

Системите за защита на инструменти InstruSafe от Summit Medical представляват касети/табли, използвани за поставяне и държане в подреден вид на хирургически инструменти и принадлежности за инструменти по време на процеса на стерилизация и последващото съхранение и транспорт. Касетите/таблите нямат директен контакт с пациентите. Касетите/таблите сами по себе си не поддържат стерилност. Касетите/таблите са с различни размери при една и съща базова конфигурация: правоъгълна основа със заключващ се капак. Касетите/таблите имат перфорации, за да може стерилизиращият агент да проникне в тях. Касетите/таблите имат силиконови вложки на основата и/или на капака за държане, подреждане и защита на хирургическите инструменти в касетата/таблата по време на процеса на стерилизация и последващото съхранение и транспорт.

ЦЕЛЕВИ ПОТРЕБИТЕЛ

Системите за защита на инструментите InstruSafe® са предназначени да бъдат използвани от здравни специалисти в операционната зала и отделението за стерилна обработка за транспортиране, стерилизация и съхранение на медицински изделия.

ОГРАНИЧЕНИЕ ПРИ ОБРАБОТКАТА

1. Продължителността на полезния живот на системата за защита на инструменти InstruSafe е най-малко 25 цикъла на стерилизация. Преди употреба, проверете таблата за износване и повреди от използването. Преустановете употребата, ако има видими признаци на износване, включително корозия, механични повреди, напукване, обелване, разслояване, прекъснати заварки, повредени крачета, повредени заключалки, повредени държачи Hold-Its®/Hold-Down за инструменти, обезцветяване и т.н.
2. Вижте **таблица 2** за методите и конфигурациите на стерилизация.
3. **НЕ ПРЕТОВАРВАЙТЕ** системите InstruSafe или компонентите им.
4. **НЕ ПРЕТОВАРВАЙТЕ** отделните слотове на държачите Hold-Its. Поставяйте само по един инструмент във всеки слот Hold-Its.
5. При използване на твърди контейнери **НЕ ОБВИВАЙТЕ** системите InstruSafe или компонентите им и ги поставяйте вътре в контейнера за стерилизация.
6. В стерилизаторите **НЕ ПОСТАВЯЙТЕ ЕДНИ ВЪРХУ ДРУГИ** обвитите поотделно или поставени в контейнери системи InstruSafe или компонентите им. Отделяйте обвитите или поставени в контейнери системи InstruSafe или компонентите им едни от други или от други предмети, като ги поставите на отделни рафтове на стерилизатора, за да осигурите максимален поток на стерилизиращия агент.
7. Използването на неабсорбиращи подложки на таблите (например силиконова подложка за подреждане с бодли) може да предизвика образуване на локвички от конденз. Ако видимо има влага, стерилизирайте отново с по-дълго време за сушене.
8. Общото тегло на контейнеровата система (например контейнер, табла и заредените инструменти) не трябва да превишава 25 фунта (11,34 кг).
9. Инструментите (например ендоскопи и инструменти с лумени или канали) трябва да се подготвят и стерилизират в съответствие с инструкциите от производителите им.
10. Отговорност на извършващия обработката оператор е да поддържа специфични процедури за валидиране на финалния процес на стерилизация, който се прилага към конфигурациите на инструментите и контейнерите, подложени на процеса на стерилизация.
11. Допълнителни ограничения (напр. ограничения по отношение на размерите или теглото) са посочени в инструкциите за употреба от производителя на стерилизатора.

ПРЕДУПРЕЖДЕНИЯ

- При алуминиевите системи InstruSafe използвайте само почистващи препарати с неутрално рН (6,0 – 8,5), за да избегнете повреда на покритието. Почистващите препарати с високо киселинно или алкално рН могат трайно да повредят покритието от анодиран алуминий на касетата и металните компоненти.
- Не използвайте, ако опаковката е повредена или неволно отворена преди употреба.

Бележка: Почиствайте и проверявайте касетите в съответствие с предоставените инструкции, преди да започнете да ги използвате.

УНИВЕРСАЛНИ ПРЕДПАЗНИ МЕРКИ

- Персоналът трябва да използва цялото лично предпазно облекло и оборудване, както се изисква в работните процедури на работодателя/отделението за нивото на заразяване, на което е изложен.
- По време на стерилизация, съхранявайте разделени предметите, изработени от различни метали, за да предотвратите корозия.

ТОЧКА НА ИЗПОЛЗВАНЕ

Отстранете грубото замърсяване с кърпа/салфетка за еднократна употреба. Замърсените компоненти трябва да се поддържат влажни, докато се приложат отговарящите на изискванията процеси на почистване.

ПОЧИСТВАНЕ

Направете справка в инструкциите за употреба от производителя на инструментите относно специални инструкции за почистване на инструментите в касетите.

Препоръчва се да използвате една от следните валидирани възможности за почистване на касетата/таблата.

Използвайте само разтвори с неутрално рН (6,0 – 8,5), несъдържащи натриев карбонат, за да избегнете повреда на покритието на алуминиевите касети.

НЕ използвайте абразивни гъби или препарати за почистване. **НЕ** съхранявайте касетите в течност.

1. Ръчно отстраняване на груби замърсявания:

- Необходими материали: Ензимен почистващ препарат с неутрално рН (6,0 – 8,5), четка с мек косъм и течаща вода.
- Премахнете всички видими замърсявания и зацапвания с помощта на четка с мек косъм. По време на почистването цялата касета трябва да бъде потопена за минимум 2 минути, за да се спомогне за премахването на замърсяванията и да се намалят пръските от почистващия препарат върху персонала.
- Изплакнете щателно в продължение на най-малко 1 минута с чиста вода, за да отстраните целия препарат за почистване. Вижте инструкциите за изплакване върху етикета на препарата.

2. Ултразвуково почистване:

- Пригответе ензимен разтвор в устройство за ултразвуково почистване.
- Поставете една касета в препарата за почистване и включете устройството най-малко за десет минути.
- Изплакнете със студена чешмяна вода в продължение на най-малко 2 минути.
- Направете визуална проверка на касетата за наличие на замърсявания. Ако е необходимо, повторете цикъла, за да премахнете видимите замърсявания.

3. Уред за автоматично измиване:

Системите за защита на инструменти InstruSafe са валидирани за циклите на системите за автоматично измиване, посочени в **таблица 1**. Оценяването на съответствието на конкретни параметри ще трябва да се извършва от оператора.

Таблица 1

ЦИКЪЛ	ТЕМПЕРАТУРА НА ВОДАТА	ПОЧИСТВАЩ ПРОЦЕС
Предварително измиване 1 и 2	Студена чешмяна вода	Време за рецикулация: 2 минути
Измиване с ензимен разтвор	Гореща чешмяна вода	Време за накисване: 4 минути
Измиване 1	Нагряване до 150°F (65,5°C)	Време за рецикулация: 15 минути
Изплакване 1 и 2	Гореща чешмяна вода	Време за рецикулация: 5 минути

Бележка: След завършване на цикъла на автоматично измиване проверете визуално системата InstruSafe (касета и принадлежности) за останали видими замърсявания. Всички видими замърсявания трябва да бъдат премахнати чрез ръчно почистване, изтъркване с четка, ултразвук или допълнителни автоматични цикли преди изпращане за стерилизация.

ДЕЗИНФЕКЦИЯ

Системите InstruSafe са предназначени за подлагане на финална стерилизация.

ТЕХНИЧЕСКА ПОДДРЪЖКА, ПРОВЕРКА И ТЕСТВАНЕ

Системите InstruSafe може да се използват многократно, докато не настъпи недопустимо влошаване на качеството им, като корозия, напукване, ръжда, обелване, разслояване, обезцветяване или механична повреда.

Признаците на механична повреда включват:

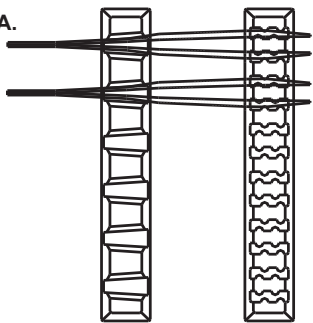
- Счупени или напукани ъгли или заварки
- Счупени или неработещи заключалки
- Липсващи, скъсани или срязани силиконови вложки
- Липсващи или повредени крачета

СГЛОБЯВАНЕ

1. Поставете инструментите в предварително определените държачи или в зоната между щифтовете за местоположение, така че повърхностите на всички инструменти да са изложени на действието на стерилизиращия агент. Вижте **фигура А**. Уверете се, че във всеки слот има само един инструмент. Когато е възможно, разглобете или отворете всички части на инструментите съгласно инструкциите на производителя.

НЕ претоварвайте държачите и не превишавайте ограниченията за тегло на касетите. Вижте Приложение А.

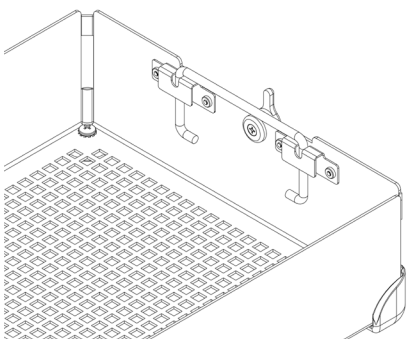
Фигура А.



Бележка: Инструментите (например ендоскопи и инструменти с лумени или канали) трябва да се подготвят и стерилизират в съответствие с инструкциите за употреба от производителите им.

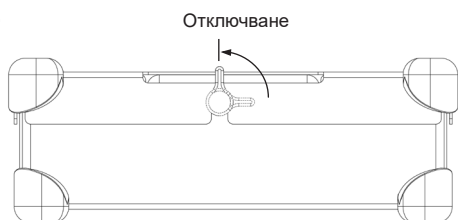
2. Уверете се, че дръжките са позиционирани вътре в касетата (прибрано положение). Показано на **фигура Б**.

Фигура Б.



3. Поставете капака на касетата върху основата ѝ, като се уверите, че заключалките са правилно позиционирани – слотът на заключалката е върху капака на касетата, след това затворете заключалките. Вижте **фигура В**.

Фигура В.

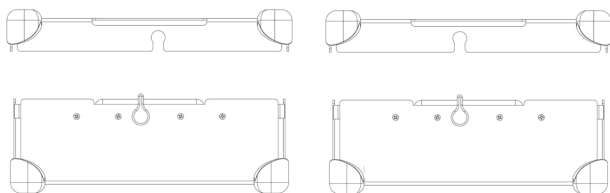


*Бележка: Заключалките са изместени така, че капакът на касетата винаги да се подравнява правилно към основата. Това осигурява подравняване на дръжачите при закрепен капак. Вижте на **фигура Г** правилното подравняване.
НЕ поставяйте със сила капака на касетата върху основата ѝ, тъй като това може да повреди инструментите и касетата.*

Фигура Г.

Неправилно подравняване

Правилно подравняване



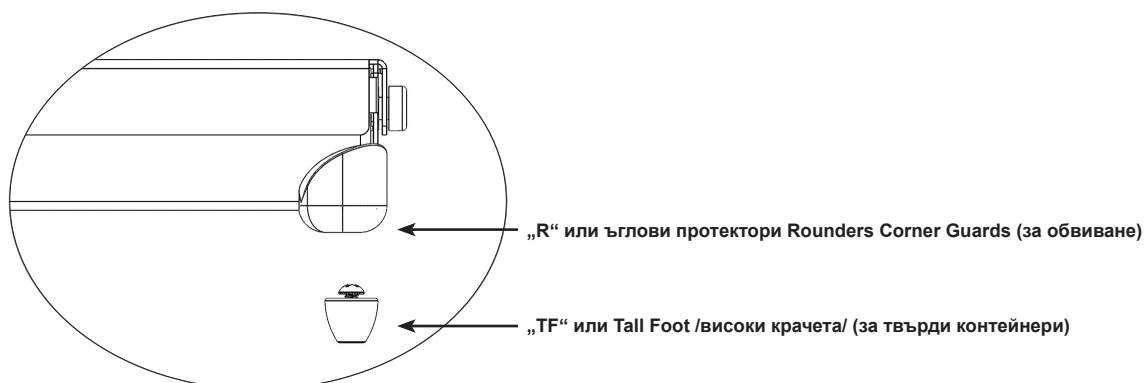
ОПАКОВАНЕ

Системите InstruSafe могат да бъдат обвивани със законно предлаган на пазара материал за обвиване или поставяни в законно предлаган на пазара твърд контейнер. Направете справка в текста на указанията за употреба в инструкциите за употреба.

Използване с обвиване:

1. Преди да обвийте касетата, се уверете, че крачетата ѝ са от правилния тип. При обвиване трябва да се използва тип R. Вижте **фигура Е**.

Фигура Е.



2. Обвийте касетата с разрешен за пускане на пазара материал за обвиване, съгласно инструкциите на производителя на материала за обвиване.

3. Стерилизирайте пакета чрез един от циклите за стерилизация, посочени в инструкциите за употреба.

Използване с твърд контейнер:

Направете справка в текста на указанията за употреба в инструкциите за употреба.

1. Преди да поставите касетата в твърд контейнер, се уверете, че крачетата ѝ са от правилния тип.

При твърд контейнер трябва да се използва тип TF.

Вижте **фигура Е**.

2. Поставете касетата в твърдия контейнер. При запечатване на контейнера следвайте инструкциите на производителя му.

Бележка: Не обвивайте касетите, преди да ги поставите в контейнера за стерилизация.

3. Стерилизирайте контейнера и съдържанието му чрез един от циклите за стерилизация, посочени в инструкциите за употреба.

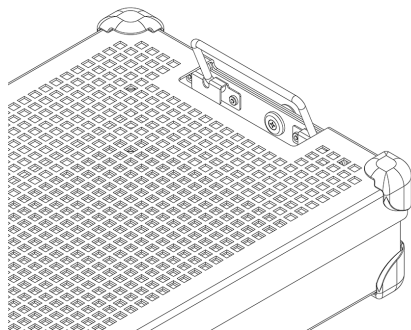
Допълнителна информация:

За да извадите асептично касетата от твърд контейнер, следвайте инструкциите за употреба от производителя му.

1. Сложете си ръкавици, обърнете дланите си навън и прекарайте ръцете през отворите, за да достигнете капака на касетата.

2. Хванете дръжките на касетата и ги повдигнете в горно положение. Вижте **фигура Ж**.

Фигура Ж.



3. Наклонете дръжките навътре, като ги отдалечите от стените на твърдия контейнер, и повдигнете касетата от контейнера, като внимавате да не го докосвате отгоре или отвън.

4. Поставете касетата върху стерилна повърхност.

СТЕРИЛИЗАЦИЯ

Вижте **таблица 2** за параметрите на стерилизацията, които са оценени като съответстващи на изискванията за стерилизацията на системите InstruSafe.

Таблица 2.

МЕТОД НА СТЕРИЛИЗАЦИЯ	ЦИКЪЛ (времетраене)
Стерилизация с пара, с пре-вакуум	Параметър: Температура 270°F (132°C) Време на експозиция 4 минути Време за сушене - 30 минути
Етилен оксид (ЕО)	Предварително кондициониране: Температура 131°F (55°C) Относителна влажност 70 ± 15% Време за предварително кондициониране 1 час Стерилизация: Време на експозиция 120 минути Температура 131°F (55°C) Време за аерация 12 часа
STERRAD 100S	<i>Standard</i>
STERRAD 100NX	<i>Standard, Express, Flex</i>
STERRAD NX	<i>Standard</i>
STERIS AMSCO V-PRO 1	<i>Standard</i>
STERIS AMSCO V-PRO 1 PLUS	<i>Лумен, без лумен</i>
STERIS AMSCO V-PRO maX	<i>Лумен, без лумен</i>
STERIS AMSCO V-PRO maX 2	<i>Лумен, без лумен</i>
Sterizone VP4	<i>Цикъл 1</i>

Summit Medical са валидирали следните методи за стерилизация:

- 4-минутен цикъл на стерилизация в автоклав с разрешен за пускане на пазара материал за обвиване, контейнер за стерилизация InstruSafe, твърд контейнер Aescular или Genesis, разрешени от американската агенция по храните и лекарствата (FDA). Съгласно K180528 контейнерът за стерилизация InstruSafe е валидиран за използване с касети/табли на системата за защита на инструменти InstruSafe.
- Цикъл на стерилизация с етилен оксид (ЕО) с разрешен за пускане на пазара материал за обвиване или стерилен контейнер Genesis, разрешени от американската агенция по храните и лекарствата (FDA).
- Цикъл на стерилизация STERRAD 100S Standard с разрешен за пускане на пазара материал за обвиване или твърд контейнер Aescular, разрешени от американската агенция по храните и лекарствата (FDA).
- Цикъл на стерилизация STERRAD 100NX Standard с разрешен за пускане на пазара материал за обвиване или твърд контейнер Aescular, разрешени от американската агенция по храните и лекарствата (FDA).
- Цикъл на стерилизация STERRAD 100NX Express със законно предлаган на пазара материал за обвиване, разрешен от американската агенция по храните и лекарствата (FDA).
- Цикъл на стерилизация STERRAD 100NX Flex с разрешен за пускане на пазара материал за обвиване или твърд контейнер Aescular, разрешени от американската агенция по храните и лекарствата (FDA).
- Цикъл на стерилизация STERRAD NX Standard с разрешен за пускане на пазара материал за обвиване или твърд контейнер Aescular, разрешени от американската агенция по храните и лекарствата (FDA).
- Цикли на стерилизация STERIS AMSCO V-PRO 1, V-PRO 1 PLUS, V-PRO maX и V-PRO maX 2 с разрешен за пускане на пазара материал за обвиване или твърд контейнер Aescular, разрешен от американската агенция по храните и лекарствата (FDA).
- Цикъл на стерилизация Sterizone VP4 с разрешен за пускане на пазара материал за обвиване или твърд контейнер Aescular, разрешени от американската агенция по храните и лекарствата (FDA).

НЕ превишавайте капацитета на натоварване на стерилния контейнер, посочен от производителя.

Използвайте принадлежности, разрешени от американската агенция по храните и лекарствата (FDA), за поддържане на стерилността.

Моля, направете справка в ръководството за експлоатация на стерилизатора, за да се уверите, че предвиденото натоварване е съвместимо с предвидения цикъл на стерилизация.

Моля, направете справка в инструкциите за употреба на контейнера, за да се уверите, че предвиденото натоварване е съвместимо с разрешеното от американската агенция по храните и лекарствата (FDA) натоварване на контейнера.

УКАЗАНИЯ ЗА УПОТРЕБА

4-минутен цикъл с пара, материал за обвиване и твърд контейнер Aescular®

Касетите от системата за защита на инструменти InstruSafe® се използват за поддръждане и защита на други медицински изделия, които се стерилизират от доставчик на здравни грижи. Касетите от системата за защита на инструменти InstruSafe са създадени за стерилизация на поставените в тях медицински изделия по време на цикъл на стерилизация с пара с пре-вакуум. Касетите от системата за защита на инструменти InstruSafe са предназначени за използване заедно с разрешен за пускане на пазара материал за обвиване или твърд контейнер Aescular. Касетите от системата за защита на инструменти InstruSafe не са предназначени за самостоятелно поддръждане на стерилност.

Параметри за стерилизация в автоклав	
Цикъл	Пре-вакуум
Температура	270°F (132°C)
Време на експозиция	4 минути
Минимално време за сушене	30 минути
Модел с касети Summit	Модел с контейнер Aescular
IN-8823-AE	*JN444
IN-2880	*JK444
IN-6105	*JN742
*Валидирано от Summit Medical за използване CAMO в стерилизатори с пара с пре-вакуум, работещи при 270°F (132°C) за време на експозиция 4 минути. Направете справка в инструкциите на контейнера, за да се уверите, че съдържанието му не превишава изискванията за предвижданото натоварване на контейнера за стерилизация.	

Изисквания към лумените при 4-минутен цикъл на стерилизация с пара с пре-вакуум			
Модел с касети Summit	Минимален вътрешен диаметър	Максимална дължина	Брой лумени
IN-8823-CF	3 mm	400 mm	4
IN-8823-CF	3 mm	200 mm	2
IN-2880	1 mm	76 mm	2
IN-2880	3 mm	177 mm	1
IN-6105	5 mm	241 mm	1
IN-2681	1 mm	65 mm	1
IN-2681	3 mm	200 mm	1
IN-7823	1 mm	400 mm	17

4-минутен цикъл с пара, твърд контейнер Genesis™

Касетите от системата за защита на инструменти InstruSafe® се използват за поддръждане и защита на други медицински изделия, които се стерилизират от доставчик на здравни грижи. Касетите от системата за защита на инструменти InstruSafe са създадени за стерилизация на поставените в тях медицински изделия по време на цикъл на стерилизация с пара с пре-вакуум. Касетите от системата за защита на инструменти InstruSafe са предназначени за използване заедно със законно предлагани на пазара твърди контейнери Genesis. Касетите от системата за защита на инструменти InstruSafe не са предназначени за самостоятелно поддръждане на стерилност. Пълен списък на моделите на изделията е предоставен в Приложение А.

Изисквания към лумените при 4-минутен цикъл на стерилизация с пара с пре-вакуум			
Модел с касети Summit	Минимален вътрешен диаметър	Максимална дължина	Брой лумени
IN-2681	1 mm	65 mm	1
IN-2681	3 mm	200 mm	1
IN-6105	5 mm	241 mm	1
IN-0000	1 mm	400 mm	5
	3 mm	400 mm	1
	5 mm	400 mm	1

УКАЗАНИЯ ЗА УПОТРЕБА (продължение)

8-минутен цикъл с пара и етилен оксид (EO), материал за обвиване и твърд контейнер Genesis™

Касетите от системата за защита на инструменти InstruSafe® се използват за поддръждане и защита на други медицински изделия, които се стерилизират от доставчика на здравни услуги. Касетите от системата InstruSafe са създадени за стерилизация на поставените в тях медицински изделия по време на цикли на стерилизация с пара с пре-вакуум или с етилен оксид. Касетите от системата InstruSafe са предназначени за използване заедно с централно и законно предлаган на пазара материал за обвиване или твърд контейнер Genesis. Касетите от системата InstruSafe не са предназначени за самостоятелно поддръжане на стерилност.

Методи и конфигурации за стерилизация

Предварително кондициониране с пара за 8 минути при 132°C	
Обвиване с тъкан материал с брой нишки 140	Време за сушене 10 минути
Обвиване с нетъкан материал (Kimberly Clark)	Време за сушене 50 минути
Контейнер Genesis (направете справка в таблица 1 за филтърната хартия, която трябва да се използва)	Време за сушене 30 минути

Етилен оксид (EO)
<ul style="list-style-type: none"> Предварително кондициониране за 1 час при 131°F (55°C) и относителна влажност 70 ± 15% Време на експозиция 2 часа при 131°F (55°C) Аерация 12 часа

Контейнер Genesis	Филтърна хартия за контейнер Genesis
CD2-4B	FX3-1: 9x9"
CD2-5B	FX3-1: 9x9"
CD3-4B	FX3-1: 9x9"
CD3-5B	FX3-1: 9x9"
CD3-6B	FX3-1: 9x9"
CD3-7B	FX3-1: 9x9"
CD4-5B	FO3-2: 9x6"
CD5-61B	FO3-2: 9x6"
CD6-6B	FX3-1: 9x9"

При използване на който и да е твърд контейнер Genesis вижте инструкциите за експлоатация на системата контейнери за стерилизатори V. Mueller Genesis.

Цикли STERRAD® 100S & STERRAD® 100NX® Standard, материал за обвиване и твърд контейнер Aesculap®

Касетите от системата за защита на инструменти InstruSafe® се използват за поддръждане и защита на други медицински изделия, които се стерилизират от доставчик на здравни грижи. Касетите от системата за защита на инструменти InstruSafe са създадени за стерилизация на поставените в тях медицински изделия по време на цикли на стерилизация Sterrad 100S Standard и Sterrad 100NX Standard. Касетите от системата за защита на инструменти InstruSafe са предназначени за използване заедно с разрешен за пускане на пазара материал за обвиване или твърд контейнер Aesculap. Касетите от системата за защита на инструменти InstruSafe не са предназначени за самостоятелно поддръжане на стерилност. Пълен списък на моделите на изделията е предоставен в Приложение А.

Следните табли за стерилизация са валидирани за използване със съответните твърди контейнери:

Цикъл STERRAD 100S Standard	
Модел с касети Summit	Модел с контейнер Aesculap
IN-8823-AE	*JM444
IN-6105	*JM440

Цикъл STERRAD 100NX Standard	
Модел с касети Summit	Модел с контейнер Aesculap
IN-8823-AE	*JM444
IN-6105	*JM440

*Валидирано от Summit Medical за използване CAMO при цикъл STERRAD 100S Standard и цикъл STERRAD 100NX Standard. Направете справка в инструкциите на контейнера, за да се уверите, че съдържанието му не превишава изискванията за предвижданото натоварване на контейнера за стерилизация.

Изисквания към лумените при цикли STERRAD 100S Standard и STERRAD 100NX Standard	
4 лумена от неръждаема стомана с вътрешен диаметър 3 mm и дължина 400 mm	Всички модели с подходящи размери са изброени в Приложение А с изключение на IN-2681.
2 лумена от неръждаема стомана с вътрешен диаметър 3 mm и дължина 200 mm	
1 лумена от неръждаема стомана с вътрешен диаметър 3 mm и дължина 200 mm	IN-2681
1 лумена от неръждаема стомана с вътрешен диаметър 1 mm и дължина 65 mm	

УКАЗАНИЯ ЗА УПОТРЕБА (продължение)

Цикъл STERRAD® NX® Standard, материал за обвиване и твърд контейнер Aesculap®

Касетите от системата за защита на инструменти InstruSafe® се използват за подреждане и защита на други медицински изделия, които се стерилизират от доставчик на здравни грижи. Касетите от системата за защита на инструменти InstruSafe са създадени за стерилизация на поставените в тях медицински изделия по време на цикъл на стерилизация Sterrad NX Standard. Касетите от системата за защита на инструменти InstruSafe са предназначени за използване заедно с разрешен за пускане на пазара материал за обвиване или твърд контейнер Aesculap. Касетите от системата за защита на инструменти InstruSafe не са предназначени за самостоятелно поддържане на стерилност. Пълен списък на моделите на изделията е предоставен в Приложение А.

Методи и конфигурации за стерилизация

– Цикъл на стерилизация STERRAD NX Standard

Изисквания към лумените при цикъл на стерилизация STERRAD NX Standard			
Модел с касети Summit	Минимален вътрешен диаметър	Максимална дължина	Брой лумени
IN-2681	1 mm	65 mm	1
IN-2681	3 mm	200 mm	1
IN-8987-S	1 mm	500 mm	5
IN-8615	2,3 mm	210 mm	5
IN-6105	4 mm	235 mm	1

Бележка: Най-лошият случай на валидирано натоварване, базиран на изчислението вентилация/обем, е при табла IN-2681.

Цикъл STERRAD® 100NX® Express, обвиване

Касетите от системата за защита на инструменти InstruSafe® се използват за подреждане и защита на други медицински изделия, които се стерилизират от доставчик на здравни грижи. Касетите от системата за защита на инструменти InstruSafe са създадени за стерилизация на поставените в тях медицински изделия по време на цикъл Sterrad® 100NX Express. Касетите от системата за защита на инструменти InstruSafe са предназначени за използване заедно с разрешен за пускане на пазара материал за обвиване. Касетите от системата за защита на инструменти InstruSafe не са предназначени за самостоятелно поддържане на стерилност. Системата за защита на инструменти InstruSafe не поставя изисквания към лумените при цикъл Sterrad 100NX Express.

Цикъл на стерилизация STERRAD® 100NX® Flex, материал за обвиване и твърд контейнер Aesculap®

Касетите от системата за защита на инструменти InstruSafe® се използват за подреждане и защита на други медицински изделия, които се стерилизират от доставчик на здравни грижи. Касетите от системата за защита на инструменти InstruSafe са създадени за стерилизация на поставените в тях медицински изделия по време на цикъл на стерилизация Sterrad 100NX Flex. Касетите от системата за защита на инструменти InstruSafe са предназначени за използване заедно с разрешен за пускане на пазара материал за обвиване или твърд контейнер Aesculap. Касетите от системата за защита на инструменти InstruSafe не са предназначени за самостоятелно поддържане на стерилност. Пълен списък на моделите на изделията е предоставен в Приложение А.

Цикъл на стерилизация STERRAD 100NX Flex	
Модел с касети Summit	Модел с контейнер Aesculap
IN-0000	*JM440
IN-6105	*JM440

**Валидирано от Summit Medical за използване CAMO при цикъл STERRAD 100NX Flex. Направете справка в инструкциите на контейнера, за да се уверите, че съдържанието му не превишава изискванията за предвижданото натоварване на контейнера за стерилизация.*

Изисквания към лумените при цикъл на стерилизация STERRAD 100NX Flex				
Модел с касети Summit	Минимален вътрешен диаметър	Максимална дължина	Брой лумени	Обвиване/твърд контейнер
IN-0000	1 mm	850 mm	1	Обвиване + твърд контейнер
IN-8823	1 mm	850 mm	1	Обвиване + твърд контейнер
IN-7344	1 mm	850 mm	1	Обвиване
IN-6105	4 mm	235 mm	1	Обвиване + твърд контейнер

Най-лошият случай на валидирано натоварване, базиран на изчислението вентилация/обем, е при табла IN-0000.

Бележка: Табла IN-0000 е предназначена само за тестване.

УКАЗАНИЯ ЗА УПОТРЕБА (продължение)

Нискотемпературни цикли на стерилизация AMSCO® V-PRO®, обвиване и твърд контейнер Aescular®

Касетите от системата за защита на инструменти InstruSafe® се използват за подреждане и защита на други медицински изделия, които се стерилизират от доставчика на здравни услуги. Касетите от системата за защита на инструменти InstruSafe са създадени за стерилизация на поставените в тях медицински изделия по време на нискотемпературни цикли на стерилизация Amsco V-PRO. Касетите от системата за защита на инструменти InstruSafe са предназначени за използване заедно с разрешен за пускане на пазара материал за обвиване или твърд контейнер Aescular. Касетите от системата за защита на инструменти InstruSafe не са предназначени за самостоятелно поддържане на стерилност. Пълен списък на моделите на изделията е предоставен в Приложение А.

Системи за нискотемпературна стерилизация AMSCO V-PRO			
Стерилизатор	Стандартен цикъл	Цикъл с лумени	Цикъл без лумени
V-PRO 1	X	Неприложимо	Неприложимо
V-PRO 1 PLUS	Неприложимо	X	X
V-PRO maX	Неприложимо	X	X
V-PRO maX 2	Неприложимо	X	X
Модел с касети Summit		Модел с контейнер Aescular	
IN-8823		*JM444	
IN-6105		*JM742	
<i>*Валидирано от Summit Medical за използване CAMO при системи за нискотемпературна стерилизация AMSCO V-PRO. Когато като стерилна бариера се използва контейнер Aescular, натоварването (табла Summit и съдържанието ѝ), не трябва да превишава изискванията за натоварване за контейнера по отношение на тежлото или типа на натоварване.</i>			

Размерът на лумена на валидираните инструменти включва:			
Модел с касети Summit	Минимален вътрешен диаметър	Максимална дължина	Брой лумени
IN-8823	3 mm	400mm	2
IN-6105	3 mm	200mm	1
IN-2681	1 mm	64 mm	1
<i>Бележка: Най-лошият случай на валидирано натоварване, базиран на изчислението вентилация/обем, е при табла IN-2681.</i>			

УКАЗАНИЯ ЗА УПОТРЕБА (продължение)

VP4 Sterizone, материал за обвиване и твърд контейнер Aescular®

Касетите от системата за защита на инструменти InstruSafe® се използват за поддръждане и защита на други медицински изделия, които се стерилизират от доставчика на здравни услуги. Касетите от системата за защита на инструменти InstruSafe са създадени за стерилизация на поставените в тях медицински изделия по време на стерилизация с Цикъл 1 на STERIZONE VP4. Касетите от системата за защита на инструменти InstruSafe са предназначени за използване заедно с разрешен за пускане на пазара материал за обвиване или твърд контейнер Aescular. Касетите от системата за защита на инструменти InstruSafe не са предназначени за самостоятелно поддържане на стерилност.

Summit Medical валидира използването на касети от системата за защита на инструменти InstruSafe в Цикъл 1 на стерилизатора STERIZONE VP4 вследствие на демонстрации на ефикасността на стерилизацията с помощта на представителни образци медицински изделия, включително общо приложими инструменти, твърди и полутвърди инструменти с лумени и гъвкави ендоскопи. При валидирането беше представена информация, използвана за определяне на проектните гранични стойности, които се прилагат за цялата гама касети на системата за защита на инструменти InstruSafe, за да се гарантира, че всички модели попадат във валидираните гранични стойности за вентилация на касетите, вътрешни рафтове и тегло:

- Минимално съотношение вентилация към обем, общо приложими инструменти: 0,073
- Минимално съотношение вентилация към обем, гъвкави ендоскопи: 0,263
- Максимален брой вътрешни рафтове: два (2)
- Максимално тегло на касетата (включително съдържанието): 25 фунта /касета

Вижте таблицата по-долу за валидираните натоварвания при използване на касети от системата за защита на инструменти InstruSafe.

Направете справка в инструкциите за употреба на производителя на стерилизатора, за да сте сигурни, че натоварванията не надвишават заявените гранични стойности за стерилизатора.

Описание на натоварванията на системата за защита на инструменти InstruSafe.

Протокол за валидиране на натоварването на представително изделие – стерилизатор STERIZONE® VP4 № (K190260)	Описание на процедурата на Summit Medical за валидиране на натоварването	Общо тегло на натоварването (заредени инструменти) (с изключение на 25-фунтовата стойка за зареждане на инструменти)
4	<p>Натоварване (зареждане) 4a: Състоеше се от ограничение на натоварването за твърди и полутвърди инструменти с канали:</p> <ul style="list-style-type: none"> • Три (3) двуканални полутвърди ендоскопа (уретероскоп – 0,7 mm × 500 mm и 1,1 mm × 500 mm) бяха опаковани, по един (1) на касета, в три (3) касети 7323-R. • Бяха добавени допълнителни твърди инструменти с канали, за да се достигне общ брой от 15 канала. <p>Всяка касета включваше подходящи силиконови държачи за инструменти и беше обвита.</p> <p>Зареждане 4b Състоеше се от ограничение на натоварването за твърди и полутвърди канални инструменти:</p> <ul style="list-style-type: none"> • Три (3) двуканални полутвърди ендоскопа (уретероскоп – 0,7 mm × 400 mm и 1,1 mm × 400 mm) бяха опаковани, по един (1) на касета, в три (3) касети IN-0007-TF. • Бяха добавени допълнителни твърди инструменти с канали, за да се достигне общ брой от 15 канала. <p>Всяка касета включваше подходящи силиконови държачи за инструменти и беше поставена в твърд контейнер Aescular JM440.</p>	<p>Натоварване (зареждане) 4a = 5 фунта /касета, общо 15 фунта</p> <p>Натоварване (зареждане) 4b = 11 фунта /касета, общо 33 фунта</p>
7	<p>Процедура на Summit Medical за валидиране на натоварване 7a: Състои се от ограничението на теглото на натоварването (заредено тегло) за общо приложими медицински инструменти, представляващи следните геометрии:</p> <ul style="list-style-type: none"> • Vox-lock (врезно блокиращи) • Шарнирни • Luer lock <p>Общо приложимите медицински инструменти бяха свободно поставени в три (3) касети IN-7323-R с подходящи силиконови държачи, всеки с тегло 25 фунта. Касетите бяха обвити.</p> <p>Процедура на Summit Medical за валидиране на натоварване 7b: Състои се от ограничението на теглото на натоварването (заредено тегло) за общо приложими медицински инструменти, представляващи следните геометрии:</p> <ul style="list-style-type: none"> • Vox-lock (врезно блокиращи) • Шарнирни • Luer lock <p>Общо приложимите медицински инструменти бяха свободно поставени в три (3) касети IN-0006-TF с подходящи силиконови държачи. Касетите бяха поставени в контейнери Aescular JM440, всеки с тегло 25 фунта.</p>	<p>Натоварване (зареждане) 7a = 25 фунта /касета общо 75 фунта</p> <p>Натоварване (зареждане) 7b = 25 фунта /касета общо 75 фунта</p>
8	<p>Процедура на Summit Medical за валидиране на натоварване 8a: Състои се от ограничение на натоварването (зареденото тегло) на общо пет (5) гъвкави ендоскопски канала в обвити касети:</p> <ul style="list-style-type: none"> • Три (3) двуканални гъвкави ендоскопа (уретероскопи – 1 mm × 850 mm и 1 mm × 989 mm) бяха опаковани, по един (1) на касета, в касети IN-0003-R. • Един (1) едноканален гъвкав ендоскоп (уретероскоп – 1 mm × 850 mm) беше опакован в касета IN-0004-R. <p>Всяка касета включваше подходящи силиконови държачи за и беше обвита.</p> <p>Процедура на Summit Medical за валидиране на натоварване 8b: Състои се от ограничение на натоварването (зареденото тегло) на общо четири (4) гъвкави ендоскопски канала в касети, опаковани в твърди контейнери:</p> <ul style="list-style-type: none"> • Два (2) двуканални гъвкави ендоскопа (уретероскоп – 1 mm × 850 mm и 1 mm × 989 mm) бяха опаковани, по един (1) на касета, в касети IN-0003-TF и с подходящи силиконови държачи. <p>Всяка касета беше поставена в контейнер Aescular JM442.</p>	<p>Натоварване (зареждане) 8a = 4,3 фунта /касета, общо 13 фунта</p> <p>Натоварване (зареждане) 8b = 8,3 фунта /касета, общо 25 фунта</p>

СЪХРАНЕНИЕ

Съхранявайте касетите с финална стерилизация, които са обвити или поставени в контейнер, на рафт за съхранение, поставени в хоризонтално положение. Консултирайте се с производителя на материала за обвиване или на контейнера, за да получите информация за срока на съхранение.

ОБЕЗВРЕЖДАНЕ И УНИЩОЖАВАНЕ

В случай че системите за защита на инструментите InstruSafe® не преминат проверка преди употреба или ако по друг начин се счете, че вече не са подходящи за целта, изделията трябва да се обезвредят и унищожат в съответствие с местния протокол. Методът за обезвреждане и унищожаване зависи от потенциалните рискове от кръстосано замърсяване и инфекция към момента на възникване на необходимостта от унищожаване.

СЪОБЩАВАНЕ ЗА СЕРИОЗНИ ИНЦИДЕНТИ

Всеки сериозен инцидент, възникнал във връзка с изделието, трябва да бъде съобщаван на производителя и FDA/компетентния орган на държавата членка, в която е установен потребителят и/или пациентът.

ГАРАНЦИЯ

ОГРАНИЧЕНА ГАРАНЦИЯ ЗА СИСТЕМАТА ЗА ЗАЩИТА НА ИНСТРУМЕНТИ INSTRUSAFE ОТ SUMMIT MEDICAL.

ТАЗИ ОГРАНИЧЕНА ГАРАНЦИЯ И ПРЕДВИДЕНОТО ТУК СРЕДСТВО ЗА ЮРИДИЧЕСКА ЗАЩИТА СА ЕКСКЛУЗИВНИ И ЗАМЕНЯТ ВСИЧКИ ДРУГИ ИЗРИЧНИ ГАРАНЦИИ И АКО В НАСТОЯЩИЯ ДОКУМЕНТ НЕ Е ПОСОЧЕНО ОБРАТНОТО, ВСИЧКИ ДЕКЛАРАЦИИ ИЛИ ТВЪРДЕНИЯ, НАПРАВЕНИ ОТ ДРУГО ЛИЦЕ ИЛИ ФИРМА, СА НЕДЕЙСТВИТЕЛНИ. СРОКЪТ НА ВСИЧКИ ПОДРАЗБИРАЩИ СЕ ГАРАНЦИИ ЗА ТЪРГОВСКИ КАЧЕСТВА ИЛИ ПРИГОДНОСТ ЗА ОПРЕДЕЛЕНА ЦЕЛ СЛЕДВА ДА БЪДЕ ОГРАНИЧЕН ДО СРОКА НА ИЗРИЧНАТА ОГРАНИЧЕНА ГАРАНЦИЯ. НИТО SUMMIT MEDICAL, НИТО НЕЙНИТЕ ПОДЕЛЕНИЯ, НЯМА ДА НОСЯТ ОТГОВОРНОСТ ЗА КАКВИТО И ДА СА ИНЦИДЕНТНИ, ПОСЛЕДВАЩИ ИЛИ СПЕЦИАЛНИ ЗАГУБИ ИЛИ ЩЕТИ, КОИТО СА РЕЗУЛТАТ ОТ ИЗПОЛЗВАНЕТО ИЛИ НЕВЪЗМОЖНОСТТА ЗА ИЗПОЛЗВАНЕ НА СИСТЕМАТА INSTRUSAFE, НЕЗАВИСИМО ОТ ТОВА ДАЛИ ТЕЗИ ЗАГУБИ ИЛИ ЩЕТИ СА РЕЗУЛТАТ ОТ НАРУШАВАНЕ НА ГАРАНЦИЯТА ИЛИ НА ДРУГ ЮРИДИЧЕСКИ ПРИНЦИП.

Тази ограничена гаранция Ви дава специфични юридически права, но е възможно да имате и други права, които са различни в различните държави. В някои държави не са разрешени ограниченията на срока на поддържащите се гаранции или изключването или ограничаването на инцидентните или последващите щети, така че е възможно горното ограничение или изключенията да не се отнасят за Вас.

Какво покрива гаранцията. Summit Medical гарантира на първоначалния купувач, че системата InstruSafe, към която е приложена тази ограничена гаранция, съответства на спецификациите на производителя и няма да покаже дефекти в изработката и материалите през 12-месечен период, считано от датата на първоначалната покупка. Ако първоначалният купувач прехвърли системата InstruSafe на трета страна, тази ограничена гаранция няма да има юридическа сила за страната, на която е прехвърлен продуктът.

Какво ще направим, за да отстраним проблемите. Ако Вашата система InstruSafe покаже дефект по време на този период, трябва да уведомите Summit Medical, техен упълномощен дистрибутор или търговец. Трябва да разрешите на Summit Medical или техни представители да извършат проучването, прегледа и тестовете, които Summit Medical считат за подходящи, и при поискване да върнете продукта в завода на адреса, посочен по-долу. Единственото задължение на Summit Medical съгласно тази ограничена гаранция е по свое усмотрение да ремонтира или да замени дефектния продукт или продукти, без заплащане за частите или труда. Разходите за пощенски разноски, застраховка или транспортиране, направени по време на представянето на Вашата система InstruSafe за гаранционно обслужване, са за Ваша сметка.

Какво не покрива гаранцията. Тази ограничена гаранция зависи от правилното използване и техническа поддръжка на продукта; тя не покрива продукти, които са неправилно транспортирани или използвани, с които е злоупотребявано, били са обект на небрежност или неправилна техническа поддръжка, почистване или съхранение, или на които е правено техническо обслужване от друг, а не от Summit Medical или техен упълномощен дистрибутор или търговец, или които са били модифицирани без изрично разрешение от Summit Medical. Неспазването на насоките в ръководството на собственика може да представлява неправилно използване или техническа поддръжка на продукта и да направи тази ограничена гаранция невалидна. Тази гаранция не се отнася за нормалното износване или за подлежащите на замяна части.

Ако имате въпроси или претенции, свързани с тази гаранция, свържете се с:

Отдел за обслужване на клиентите
Summit Medical
815 Vikings Parkway, Suite 100
St. Paul, MN 55121 | САЩ
www.instrusafe.com

ТЕЛЕФОН: 651-789-3939 | 888-229-2875
ФАКС: 651-789-3979 | 888-229-1941
ИМЕЙЛ: customerservice@innoviamedical.com

Instrucțiunile furnizate în acest document au fost validate de producătorul dispozitivului ca fiind adecvate pentru reprocesarea dispozitivelor medicale reutilizabile.

Sterilizatoarele individuale, curățenia instrumentelor, încărcarea specifică a tăvilor cu instrumente, tipurile și geometria instrumentelor, recipientele de sterilizare, filtrele și materialele de împachetare diferă în funcție de fiecare locație.

CITIȚI ACEASTĂ SECȚIUNE ÎNAINTE DE A PUNE PRODUSUL ÎN UZ

UTILIZAREA PREVĂZUTĂ/SUMAR INSTRUCȚIUNI DE UTILIZARE

Casetele/tăvilor tip Sistem de protecție a instrumentelor InstruSafe® sunt destinate păstrării și protejării dispozitivelor medicale reutilizabile în timpul transportului, sterilizării și depozitării. Casetele/tăvilor tip Sistem de protecție a instrumentelor InstruSafe® sunt utilizate pentru a organiza și pentru a proteja alte dispozitive medicale care sunt sterilizate de către un furnizor de servicii medicale. Casetele/tăvilor tip Sistem de protecție a instrumentelor InstruSafe sunt destinate pentru a permite sterilizarea dispozitivelor medicale puse înăuntru în timpul acestor cicluri de sterilizare:

- Aburi cu pre-vidare (ISO 17665-1 și EN 285)
- Oxid de etilenă (ISO 11135)
- Sterilizare validată la temperatură scăzută (ISO 14937), anume,
 - STERRAD® 100S Standard (scurt)
 - STERRAD® 100NX® Express, Standard, și Flex
 - STERRAD® NX® Standard
 - STERIS® AMSCO® V-PRO 1®, V-PRO 1 Plus, V-PRO maX și V-PRO maX 2
 - Sterizone® VP4

Casetele/tăvilor tip Sistem de protecție a instrumentelor InstruSafe nu au scopul de a menține sterilitatea atunci când sunt utilizate singure, fără alte accesorii. Casetele/tăvilor tip Sistem de protecție a instrumentelor InstruSafe sunt destinate a fi utilizate împreună cu un material de împachetare comercializat legal, recipiente rigide Aesculap® sau recipiente rigide Genesis™.

Recipientele de sterilizare InstruSafe au fost validate pentru utilizare cu casetele/tăvilor tip Sistem de protecție a instrumentelor InstruSafe (numai ciclul de sterilizare cu aburi cu pre-vidare, la 270 °F (132 °C), timp de 4 minute) conform 510(k) K180528. Pentru informații suplimentare consultați instrucțiunile de utilizare a recipientului de sterilizare InstruSafe®.

O listă completă a modelelor de dispozitive este furnizată în Anexa A, care se poate consulta la www.instrusafe.com/ifus.

DESCRIEREA DISPOZITIVULUI

Sistemele de protecție a instrumentelor InstruSafe ale Summit Medical sunt casete/tăvi utilizate pentru plasarea și ținerea instrumentelor chirurgicale și a accesoriilor instrumentelor într-o manieră organizată în timpul procesului de sterilizare, precum și în timpul depozitării și transportării ulterioare. Casetele/tăvilor nu intră în contact direct cu pacienții. Casetele/tăvilor nu mențin sterilitatea atunci când sunt utilizate singure, fără alte accesorii. Casetele/tăvilor au diferite dimensiuni cu aceeași configurație: o bază dreptunghiulară cu capac cu închizătoare. Casetele/tăvilor au perforații pentru a permite pătrunderea sterilizantului. Casetele/tăvilor conțin inserții din silicon în cadrul și/sau capac pentru a ține, organiza și proteja instrumentele chirurgicale din interiorul casetei/tăvilor în timpul procesului de sterilizare, precum și în timpul depozitării și transportării ulterioare.

UTILIZATOR ȚINTĂ

Sistemele de protecție a instrumentelor InstruSafe® sunt destinate utilizării de către profesioniștii din domeniul sănătății în sala de operații și în departamentul de prelucrare sterilă pentru transportul, sterilizarea și depozitarea dispozitivelor medicale.

LIMITĂRI LA UTILIZARE

1. Finalul duratei de utilizare a Sistemului InstruSafe de protecție a instrumentelor este reprezentat de un minim de 25 de cicluri de sterilizare. Înainte de utilizare, verificați dacă tava este uzată sau deteriorată din cauza utilizării. Nu o mai utilizați dacă prezintă semne vizibile de uzură, inclusiv coroziune, defecte mecanice, crăpături, exfoliere, cojire, suduri crăpate, postamente deteriorate, închizători deteriorate, suport Hold-Its®/Hold-Downs deteriorat, decolorare etc.
2. Consultați **Tablelul 2** pentru metode și configurații de sterilizare.
3. **NU SUPRĂÎNCĂRCAȚI** Sistemele InstruSafe sau componentele.
4. **NU SUPRĂÎNCĂRCAȚI** suporturile individuale Hold-Its. Amplasați doar un instrument în fiecare suport Hold-Its.
5. Pentru utilizatorii de recipiente rigide, **NU ÎMPACHETAȚI** sistemele sau componentele InstruSafe pentru a le amplasa în interiorul recipientului pentru sterilizare.
6. În interiorul sterilizatoarelor, **NU STIVUIȚI** sistemele sau componentele InstruSafe individuale cu împachetare sau puse în recipiente. Puneți separat unele de altele sau de alte articole, pe rafturi separate ale sterilizatorului, sistemele sau componentele InstruSafe cu împachetare sau puse în recipient, pentru a permite un flux maxim al sterilizantului.
7. Utilizarea unor căptușeli neabsorbante de tăvi (de ex. soclu digitat din silicon) poate determina condensarea cu retenția apei. Dacă există semne vizibile de umezeală, resterilizați cu un timp mai lung de uscare.
8. Greutatea totală a sistemului de recipiente (de exemplu, recipient, tavă și sarcina instrumentelor) nu trebuie să depășească 25 de livre (11,34 kg).
9. Instrumentele (adică endoscoapele și instrumentele cu lumene sau canale) trebuie pregătite și sterilizate în conformitate cu instrucțiunile producătorului de instrumente.
10. Procesatorul are responsabilitatea de a menține validări specifice pentru procesul de sterilizare terminal aplicat configurațiilor de instrumente și recipiente supuse procesului de sterilizare.
11. Pentru alte limitări (de exemplu, constrângeri dimensionale sau de greutate) consultați instrucțiunile de utilizare ale producătorului sterilizatorului.

AVERTIZĂRI

- Pentru sistemele InstruSafe din aluminiu, utilizați numai detergenți cu pH neutru (6,0 – 8,5) pentru a evita deteriorarea finisajului. Un detergent cu un pH cu un grad ridicat de alcalinitate sau aciditate ar putea deteriora permanent finisajul din aluminiu anodizat al casetei și componentelor din metal.
- A nu se utiliza dacă ambalajul este deteriorat sau deschis accidental înainte de utilizare.

Notă: Curățați și verificați casetele în conformitate cu instrucțiunile furnizate înainte de punerea în uz.

MĂSURI GENERALE DE PRECAUȚIE

- Personalul trebuie să poarte tot echipamentul și îmbrăcămintea de protecție necesare conform procedurilor operaționale ale departamentului/angajatorului acestuia pentru nivelul de contaminare la care va fi expus.
- Țineți metalele diferite separat în timpul sterilizării, pentru a preveni coroziunea.

SFAT DE UTILIZARE

Îndepărtați murdăria grosieră cu o lavetă/prosop de hârtie de unică folosință. Componentele contaminate trebuie menținute umede până când se pot aplica procesele de curățare calificate.

CURĂȚAREA

Consultați instrucțiunile de utilizare ale producătorului de instrumente pentru instrucțiuni specifice de curățare a instrumentelor cu ajutorul casetelor.

Se recomandă utilizarea uneia dintre următoarele opțiuni validate de curățare pentru a curăța caseta/tava.

Pentru a evita deteriorarea finisajului casetelor de aluminiu utilizați doar soluții cu pH neutru (6,0 – 8,5), fără carbonat de sodiu.

NU utilizați bureți de curățat sau detergenți abrazivi. **NU** depozitați caseta în lichid.

1. Decontaminare manuală per ansamblu:

- A. Materiale necesare: Detergent enzimatic cu pH neutru (6,0 – 8,5), perie cu peri moi și apă curentă.
- B. Îndepărtați toată murdăria și substanțele contaminante vizibile utilizând o perie cu peri moi. Întreaga casetă trebuie scufundată în apă în timpul curățării, timp de minim 2 minute, pentru a ajuta la îndepărtarea substanțelor contaminante și pentru a reduce stropirea cu detergent a personalului.
- C. Clătiți temeinic cu apă curată timp de minimum 1 minut pentru a îndepărta tot detergentul. Consultați instrucțiunile de clătire de pe eticheta detergentului.

2. Curățare ultrasonică:

- A. Pregătiți soluția de curățare enzimatică într-o unitate de curățare ultrasonică.
- B. Plasați o singură casetă în detergent și rulați secvența de curățare timp de minim zece minute.
- C. Clătiți timp de minimum 2 minute cu apă rece de la robinet.
- D. Verificați vizual caseta de substanțe contaminante. Repetați ciclul, dacă este necesar, pentru a îndepărta contaminarea vizibilă.

3. Mașină de spălat automată:

Sistemele de protecție a instrumentelor InstruSafe sunt validate pentru ciclurile sistemelor de spălare automată listate în **Tabelul 1**. Calificarea parametrilor specifici va trebui să fie efectuată de procesator.

Tabelul 1

CICLU	TEMPERATURĂ APĂ	PROCES DE CURĂȚARE
Pre-spălare 1 și 2	Apă rece de la robinet	Timp de recirculare: 2 minute
Spălare enzimatică	Apă caldă de la robinet	Timp de înmuiere: 4 minute
Spălare 1	Încălzită la 150 °F (65,5 °C)	Timp de recirculare: 15 minute
Clătire 1 și 2	Apă caldă de la robinet	Timp de recirculare: 5 minute

Notă: După terminarea unui ciclu de spălare automată, verificați vizual sistemul InstruSafe (casetă și accesoriile) pentru orice resturi vizibile de murdărie. Toată urmele vizibile de murdărie trebuie îndepărtate prin curățare manuală, periere, cicluri ultrasonice sau de spălare automată suplimentare înainte de trimiterea la sterilizare.

DEZINFECTARE

Sistemele InstruSafe sunt destinate a fi sterilizate la final.

ÎNTREȚINERE, INSPECȚIE ȘI TESTARE

Sistemele InstruSafe pot fi reutilizate până la apariția deteriorărilor inacceptabile precum coroziunea, crăparea, rugina, exfolierea, cojirea, decolorarea sau defectarea mecanică.

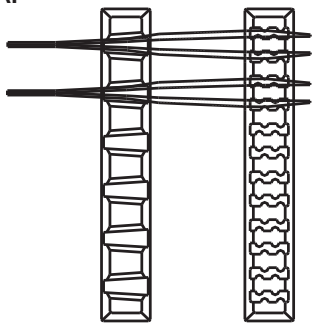
Semnele defectării mecanice includ:

- Colțuri sau suduri sparte sau crăpate
- Închizători sparte sau nefuncționale
- Inserții din silicon lipsă, rupte sau tăiate
- Postamente lipsă sau deteriorate

AMPLASARE

1. Plasați instrumentele în zona sau suporturile predeterminate definite de locurile de amplasare astfel încât toate suprafețele instrumentelor să fie expuse la sterilizant. A se vedea **Figura A**. Asigurați-vă că este doar un instrument în fiecare spațiu. Atunci când este posibil, dezamblați sau defaceți toate componentele instrumentelor conform instrucțiunilor producătorului instrumentelor. **NU supraîncărcați suporturile și nu depășiți limitele de greutate a casetelor. A se vedea Anexa A**

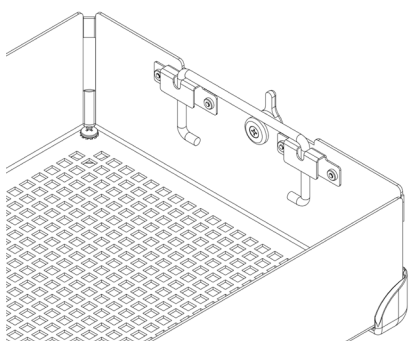
Figura A.



Notă: Instrumentele (adică endoscoapele și instrumentele cu lumene sau canale) trebuie pregătite și sterilizate în conformitate cu instrucțiunile de utilizare ale producătorului de instrumente.

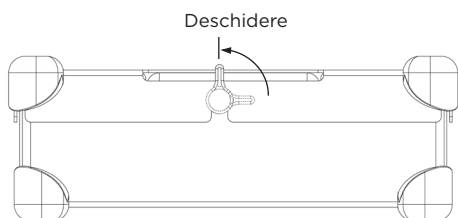
2. Asigurați-vă că mânerul este poziționat în interiorul casei (în poziția retractat). Indicat în **Figura B**.

Figura B.



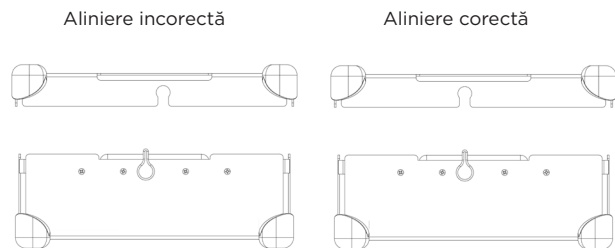
3. Plasați capul casei pe cadrul casei, asigurându-vă că închizătorii sunt poziționați corect, cu fanta închizătorii pe capul casei, apoi închideți închizătorii. A se vedea **Figura C**.

Figura C.



Notă: Închizătorii sunt decalate astfel încât capul casei să se alinieze întotdeauna corect cu cadrul. Acest lucru asigură alinierea suporturilor atunci când capul este închis. A se vedea **Figura D** pentru alinierea corectă. **NU forțați capul casei pe cadrul casei, deoarece acest lucru poate deteriora instrumentele și casea.**

Figura D.



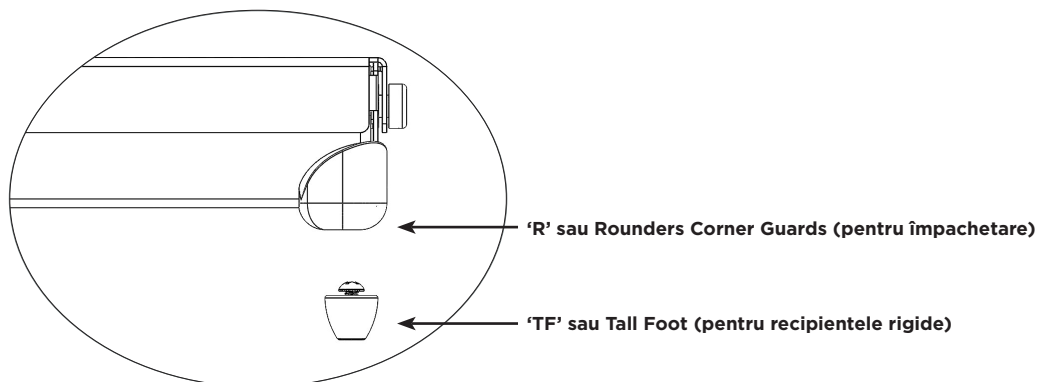
AMBALARE

Sistemele InstruSafe pot fi împachetate cu un material de împachetare comercializat legal sau amplasate într-un recipient rigid comercializat legal. Consultați prevederile privind instrucțiunile de utilizare incluse în Instrucțiunile de utilizare.

Utilizarea cu împachetare:

1. Înainte de a împacheta caseta, asigurați-vă că are tipul de postament adecvat. R trebuie folosit cu materialul de împachetare. A se vedea **Figura F**.

Figura F.



2. Împachetați caseta utilizând materiale de împachetare comercializate în mod legal, în conformitate cu instrucțiunile producătorului acestora.
3. Sterilizați pachetul utilizând unul dintre ciclurile de sterilizare listate în instrucțiunile de utilizare.

Utilizarea cu recipiente rigide:

Consultați prevederile privind instrucțiunile de utilizare incluse în Instrucțiunile de utilizare.

1. Înainte de a amplasa caseta într-un recipient rigid, asigurați-vă că are tipul de postament adecvat. TF trebuie folosit în cazul recipientelor rigide. A se vedea **Figura F**.

2. Plasați caseta în recipientul rigid. Urmați instrucțiunile producătorului de recipiente pentru sigilarea recipientului.

Notă: Nu împachetați casetele înainte de a le plasa în recipientul pentru sterilizare.

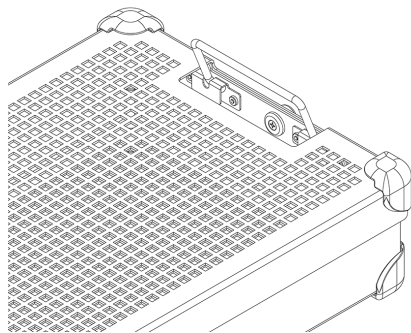
3. Sterilizați recipientul și conținutul acestuia utilizând unul dintre ciclurile de sterilizare enumerate în instrucțiunile de utilizare.

Informații suplimentare:

Pentru a scoate caseta într-un mod aseptice dintr-un recipient rigid, urmați instrucțiunile de utilizare ale producătorului de recipiente.

1. Cu mâinile înmănușate, puneți palmele pe exteriorul casetei și introduceți-le prin deschizăturile din capacul casetei.
2. Prindeți mânerul casetei și ridicați-le în poziția lor ridicată. A se vedea **Figura G**.

Figura G.



3. Înclinați mânerul spre interior, îndepărtate de marginile recipientului rigid, și ridicați caseta din recipient, fiind atenți să nu atingeți partea superioară sau exterioră a recipientului.
4. Puneți caseta pe o suprafață sterilă.

STERILIZARE

A se vedea **Tabelul 2** pentru parametrii de sterilizare care au fost calificați pentru sterilizarea sistemelor InstruSafe.

Tabelul 2.

METODĂ DE STERILIZARE	CICLU (timpi)
Aburi cu pre-vidare	Parametri: Temperatură 270 °F (132 °C) Timp de expunere 4 minute Timp de uscare 30 minute
Sterilizare cu oxid de etilenă (EO)	Precondiționare: Temperatură 131 °F (55 °C) Umiditate relativă 70 ± 15 % Timp de condiționare 1 oră Sterilizare: Timp de expunere 120 minute Temperatură 131 °F (55 °C) Timp de aerisire 12 ore
STERRAD 100S	Standard
STERRAD 100NX	Standard, Express, Flex
STERRAD NX	Standard
STERIS AMSCO V-PRO 1	Standard
STERIS AMSCO V-PRO 1 PLUS	Lumen, Non-Lumen
STERIS AMSCO V-PRO maX	Lumen, Non-Lumen
STERIS AMSCO V-PRO maX 2	Lumen, Non-Lumen
Sterizone VP4	Ciclul 1

Summit Medical a validat următoarele metode de sterilizare:

- Ciclul de 4 minute de sterilizare în autoclavă în material de împachetare comercializat legal, recipient de sterilizare InstruSafe, recipient rigid Aesculap sau recipient rigid Genesis aprobate de FDA (Agenția pentru Alimentație și Medicamente). În temeiul K180528, recipientul de sterilizare InstruSafe a fost validat pentru utilizare cu casetele/tăvile tip Sistem de protecție a instrumentelor InstruSafe.
- Ciclul de sterilizare cu oxid de etilenă (EO) în material de împachetare comercializat legal sau într-un recipient steril Genesis aprobat de FDA (Agenția pentru Alimentație și Medicamente).
- Ciclul de sterilizare STERRAD 100S Standard în material de împachetare comercializat legal sau într-un recipient rigid Aesculap aprobat de FDA (Agenția pentru Alimentație și Medicamente).
- Ciclul de sterilizare STERRAD 100NX Standard în material de împachetare comercializat legal sau într-un recipient rigid Aesculap aprobat de FDA (Agenția pentru Alimentație și Medicamente).
- Ciclul de sterilizare STERRAD 100NX Express în material de împachetare comercializat legal aprobat de FDA (Agenția pentru Alimentație și Medicamente).
- Ciclul de sterilizare STERRAD 100NX Flex în material de împachetare comercializat legal sau într-un recipient rigid Aesculap aprobat de FDA (Agenția pentru Alimentație și Medicamente).
- Ciclul de sterilizare STERRAD NX Standard în material de împachetare comercializat legal sau într-un recipient rigid Aesculap aprobat de FDA (Agenția pentru Alimentație și Medicamente).
- Ciclurile de sterilizare STERIS AMSCO V-PRO 1, V-PRO 1 PLUS, V-PRO maX și V-PRO maX 2 în material de împachetare comercializat legal sau într-un recipient rigid Aesculap aprobat de FDA (Agenția pentru Alimentație și Medicamente).
- Ciclul de sterilizare Sterizone VP4 în material de împachetare comercializat legal sau într-un recipient rigid Aesculap aprobat de FDA (Agenția pentru Alimentație și Medicamente)

NU depășiți capacitatea de încărcare a recipientului steril specificată de producător.

Utilizați un accesoriu aprobat de FDA (Agenția pentru Alimentație și Medicamente) pentru a menține sterilitatea.

Vă rugăm consultați manualul cu instrucțiuni al sterilizatorului, pentru a vă asigura că încărcările previzionate sunt compatibile cu ciclul de sterilizare previzionat.

Vă rugăm consultați instrucțiunile de utilizare ale recipientului, pentru a vă asigura că încărcările previzionate sunt compatibile cu încărcările aprobate de FDA (Agenția pentru Alimentație și Medicamente) pentru recipient.

INSTRUCȚIUNI DE UTILIZARE

Sterilizare cu aburi 4 minute, împachetare și recipient rigid Aesculap®

Casetele tip Sistem de protecție a instrumentelor InstruSafe® sunt utilizate pentru a organiza și pentru a proteja alte dispozitive medicale care sunt sterilizate de către un furnizor de servicii medicale. Casetele tip Sistem de protecție a instrumentelor InstruSafe sunt destinate pentru a permite sterilizarea dispozitivelor medicale puse înăuntru în timpul unui ciclu de sterilizare cu aburi cu pre-vidare. Casetele tip Sistem de protecție a instrumentelor InstruSafe sunt destinate a fi utilizate împreună cu un material de împachetare comercializat legal sau cu recipiente rigide Aesculap. Casetele tip Sistem de protecție a instrumentelor InstruSafe nu au scopul de a menține sterilitatea atunci când sunt utilizate singure, fără alte accesorii.

Parametrii de sterilizare ai autoclavei	
Ciclu	Pre-vidare
Temperatură	270 °F (132 °C)
Timp de expunere	4 minute
Timp minim de uscare	30 minute
Model casetă Summit	Model recipient Aesculap
IN-8823-AE	*JN444
IN-2880	*JK444
IN-6105	*JN742
*Validat de Summit Medical pentru utilizarea la sterilizatoarele cu aburi cu pre-vidare DOAR funcționând la 270 °F (132 °C) pentru un timp de expunere de 4 minute. Consultați instrucțiunile aferente recipientului pentru a vă asigura că conținutul nu depășește capacitatea de încărcare specificată a recipientului de sterilizare.	

Specificații lumen pentru ciclul de sterilizare cu aburi cu pre-vidare de 4 minute			
Model casetă Summit	Diametru interior minim	Lungime maximă	Numărul de lumene
IN-8823-CF	3 mm	400 mm	4
IN-8823-CF	3 mm	200 mm	2
IN-2880	1 mm	76 mm	2
IN-2880	3 mm	177 mm	1
IN-6105	5 mm	241 mm	1
IN-2681	1 mm	65 mm	1
IN-2681	3 mm	200 mm	1
IN-7823	1 mm	400 mm	17

Sterilizare cu aburi 4 minute, recipient rigid Genesis™

Casetele tip Sistem de protecție a instrumentelor InstruSafe® sunt utilizate pentru a organiza și pentru a proteja alte dispozitive medicale care sunt sterilizate de către un furnizor de servicii medicale. Casetele tip Sistem de protecție a instrumentelor InstruSafe sunt destinate pentru a permite sterilizarea dispozitivelor medicale puse înăuntru în timpul unui ciclu de sterilizare cu aburi cu pre-vidare. Casetele tip Sistem de protecție a instrumentelor InstruSafe sunt destinate a fi utilizate împreună cu recipiente rigide Genesis comercializate legal. Casetele tip Sistem de protecție a instrumentelor InstruSafe nu au scopul de a menține sterilitatea atunci când sunt utilizate singure, fără alte accesorii. O listă completă a modelelor de dispozitive este furnizată în Anexa A.

Specificații lumen pentru ciclul de sterilizare cu aburi cu pre-vidare de 4 minute			
Model casetă Summit	Diametru interior minim	Lungime maximă	Numărul de lumene
IN-2681	1 mm	65 mm	1
IN-2681	3 mm	200 mm	1
IN-6105	5 mm	241 mm	1
IN-0000	1 mm	400 mm	5
	3 mm	400 mm	1
	5 mm	400 mm	1

INSTRUCȚIUNI DE UTILIZARE (continuare)

Sterilizare cu aburi și oxid de etilenă (EO) de 8 minute, împachetare și recipient rigid Genesis™

Casetele tip Sistem de protecție a instrumentelor InstruSafe® sunt utilizate pentru a organiza și pentru a proteja alte dispozitive medicale care sunt sterilizate de către un furnizor de servicii medicale. Casetele tip Sistem InstruSafe sunt destinate pentru a permite sterilizarea dispozitivelor medicale puse înăuntru în timpul ciclurilor de sterilizare cu aburi cu pre-vidare sau cu oxid de etilenă. Casetele tip Sistem InstruSafe sunt destinate a fi utilizate împreună cu un material de împachetare central comercializat legal sau cu un recipient rigid Genesis. Casetele tip Sistem InstruSafe nu au scopul de a menține sterilitatea atunci când sunt utilizate singure, fără alte accesorii.

Metode și configurări de sterilizare

Precondiționare sterilizare cu aburi 8 minute la 132 °C	
Ambalaj țesut 140 din fire	10 de minute timp de uscare
Ambalaj nețesut (Kimberly Clark)	50 de minute timp de uscare
Recipient Genesis (consultați tabelul 1 pentru hârtia de filtrare ce trebuie folosită)	30 de minute timp de uscare

Recipient Genesis	Hârtie de filtrare recipient Genesis
CD2-4B	FX3-1: 9x9"
CD2-5B	FX3-1: 9x9"
CD3-4B	FX3-1: 9x9"
CD3-5B	FX3-1: 9x9"
CD3-6B	FX3-1: 9x9"
CD3-7B	FX3-1: 9x9"
CD4-5B	FO3-2: 9x6"
CD5-61B	FO3-2: 9x6"
CD6-6B	FX3-1: 9x9"

Sterilizare cu oxid de etilenă (EO)
▪ 1 oră precondiționare la 131 °F (55 °C) cu umiditate relativă de 70 ± 15 %
▪ 2 ore expunere la 131 °F (55 °C)
▪ 12 ore aerisire

Consultați Instrucțiunile de operare pentru utilizator aferente sistemului de sterilizare în recipient V. Mueller Genesis atunci când utilizați orice recipient rigid Genesis.

Ciclurile STERRAD® 100S și STERRAD® 100NX® Standard, împachetare și recipient rigid Aesculap®

Casetele tip Sistem de protecție a instrumentelor InstruSafe® sunt utilizate pentru a organiza și pentru a proteja alte dispozitive medicale care sunt sterilizate de către un furnizor de servicii medicale. Casetele tip Sistem de protecție a instrumentelor InstruSafe sunt destinate pentru a permite sterilizarea dispozitivelor medicale puse înăuntru în timpul ciclurilor de sterilizare Sterrad 100S Standard și Sterrad 100NX Standard. Casetele tip Sistem de protecție a instrumentelor InstruSafe sunt destinate a fi utilizate împreună cu un material de împachetare comercializat legal sau cu recipiente rigide Aesculap. Casetele tip Sistem de protecție a instrumentelor InstruSafe nu au scopul de a menține sterilitatea atunci când sunt utilizate singure, fără alte accesorii. O listă completă a modelelor de dispozitive este furnizată în Anexa A.

Următoarele țevi de sterilizare au fost validate cu următoarele recipiente rigide corespunzătoare:

Ciclu STERRAD 100S Standard	
Model casetă Summit	Model recipient Aesculap
IN-8823-AE	*JM444
IN-6105	*JM440

Ciclu STERRAD 100NX Standard	
Model casetă Summit	Model recipient Aesculap
IN-8823-AE	*JM444
IN-6105	*JM440

*Validat de Summit Medical pentru utilizarea DOAR în ciclurile de sterilizare STERRAD 100S Standard și STERRAD 100NX Standard. Consultați instrucțiunile aferente recipientului pentru a vă asigura că conținutul nu depășește capacitatea de încărcare specificată a recipientului de sterilizare.

Specificații lumen pentru ciclurile STERRAD 100S Standard și STERRAD 100NX Standard	
4 lumen din inox cu diametru interior de 3 mm x lungime 400 mm	Toate modelele de dimensiuni corespunzătoare sunt enumerate în Anexa A, cu excepția IN-2681.
2 lumen din inox cu diametru interior de 3 mm x lungime 200 mm	
1 lumen din inox cu diametru interior de 3 mm x lungime 200 mm	IN-2681
1 lumen din inox cu diametru interior de 1 mm x lungime 65 mm	

INSTRUCȚIUNI DE UTILIZARE (continuare)

Ciclu STERRAD® NX® Standard, împachetare și recipient rigid Aesculap®

Casetele tip Sistem de protecție a instrumentelor InstruSafe® sunt utilizate pentru a organiza și pentru a proteja alte dispozitive medicale care sunt sterilizate de către un furnizor de servicii medicale. Casetele tip Sistem de protecție a instrumentelor InstruSafe sunt destinate pentru a permite sterilizarea dispozitivelor medicale puse înăuntru în timpul unui ciclu de sterilizare Sterrad NX Standard. Casetele tip Sistem de protecție a instrumentelor InstruSafe sunt destinate a fi utilizate împreună cu un material de împachetare comercializat legal sau cu recipiente rigide Aesculap. Casetele tip Sistem de protecție a instrumentelor InstruSafe nu au scopul de a menține sterilitatea atunci când sunt utilizate singure, fără alte accesorii. O listă completă a modelelor de dispozitive este furnizată în Anexa A.

Metode și configurări de sterilizare

- Ciclu de sterilizare Sterrad NX Standard

Specificații lumen pentru ciclul de sterilizare STERRAD NX Standard			
Model casetă Summit	Diametru interior minim	Lungime maximă	Numărul de lumene
IN-2681	1 mm	65 mm	1
IN-2681	3 mm	200 mm	1
IN-8987-S	1 mm	500 mm	5
IN-8615	2,3 mm	210 mm	5
IN-6105	4 mm	235 mm	1

Notă: Capacitatea de încărcare cea mai mică validată pe baza calculului orificiilor de aerisire pe volum este tava IN-2681.

Ciclu STERRAD® 100NX® Express, împachetare

Casetele tip Sistem de protecție a instrumentelor InstruSafe® sunt utilizate pentru a organiza și pentru a proteja alte dispozitive medicale care sunt sterilizate de către un furnizor de servicii medicale. Casetele tip Sistem de protecție a instrumentelor InstruSafe sunt destinate pentru a permite sterilizarea dispozitivelor medicale puse înăuntru în timpul unui ciclu de sterilizare Sterrad® 100NX Express. Casetele tip Sistem de protecție a instrumentelor InstruSafe sunt destinate a fi utilizate împreună cu un material de împachetare comercializat legal. Casetele tip Sistem de protecție a instrumentelor InstruSafe nu au scopul de a menține sterilitatea utilizate singure, fără alte accesorii. Sistemul de protecție a instrumentelor InstruSafe nu are specificații lumen pentru ciclul Sterrad 100NX Express.

Ciclu de sterilizare STERRAD® 100NX® Flex, împachetare și recipient rigid Aesculap®

Casetele tip Sistem de protecție a instrumentelor InstruSafe® sunt utilizate pentru a organiza și pentru a proteja alte dispozitive medicale care sunt sterilizate de către un furnizor de servicii medicale. Casetele tip Sistem de protecție a instrumentelor InstruSafe sunt destinate pentru a permite sterilizarea dispozitivelor medicale puse înăuntru în timpul unui ciclu de sterilizare Sterrad 100NX Flex. Casetele tip Sistem de protecție a instrumentelor InstruSafe sunt destinate a fi utilizate împreună cu un material de împachetare comercializat legal sau cu recipiente rigide Aesculap. Casetele tip Sistem de protecție a instrumentelor InstruSafe nu au scopul de a menține sterilitatea atunci când sunt utilizate singure, fără alte accesorii. O listă completă a modelelor de dispozitive este furnizată în Anexa A.

Ciclu de sterilizare STERRAD 100NX Flex	
Model casetă Summit	Model recipient Aesculap
IN-0000	*JM440
IN-6105	*JM440

**Validat de Summit Medical pentru utilizarea DOAR în ciclul de sterilizare STERRAD 100NX Flex. Consultați instrucțiunile aferente recipientului pentru a vă asigura că conținutul nu depășește capacitatea de încărcare specificată a recipientului de sterilizare.*

Specificații lumen pentru ciclul de sterilizare STERRAD 100NX Flex				
Model casetă Summit	Diametru interior minim	Lungime maximă	Numărul de lumene	Împachetare/recipient rigid
IN-0000	1 mm	850 mm	1	Împachetare + Recipient rigid
IN-8823	1 mm	850 mm	1	Împachetare + Recipient rigid
IN-7344	1 mm	850 mm	1	Împachetare
IN-6105	4 mm	235 mm	1	Împachetare + Recipient rigid

Capacitatea de încărcare cea mai mică validată pe baza calculului orificiilor de aerisire pe volum este tava IN-0000.

Notă: Tava IN-0000 este destinată doar pentru scopuri de testare.

INSTRUCȚIUNI DE UTILIZARE (continuare)

Ciclurile de sterilizare cu temperatură scăzută AMSCO® V-PRO®, materialul de împachetare și recipientul rigid Aesculap®

Casetele tip Sistem de protecție a instrumentelor InstruSafe® sunt utilizate pentru a organiza și proteja alte dispozitive medicale care sunt sterilizate de un furnizor de servicii medicale. Casetele tip Sistem de protecție a instrumentelor InstruSafe sunt destinate pentru a permite sterilizarea dispozitivelor medicale puse înăuntru în timpul ciclurilor de sterilizare cu temperatură scăzută Amsco V-PRO. Casetele tip Sistem de protecție a instrumentelor InstruSafe sunt destinate a fi utilizate împreună cu un material de împachetare comercializat legal sau cu recipiente rigide Aesculap. Casetele tip Sistem de protecție a instrumentelor InstruSafe nu au scopul de a menține sterilitatea atunci când sunt utilizate singure, fără alte accesorii. O listă completă a modelelor de dispozitive este furnizată în Anexa A.

Sistemele de sterilizare la temperatură scăzută AMSCO V-PRO			
Sterilizator	Ciclu standard	Ciclu lumen	Ciclu non-lumen
V-PRO 1	X	Nu se aplică	Nu se aplică
V-PRO 1 PLUS	Nu se aplică	X	X
V-PRO maX	Nu se aplică	X	X
V-PRO maX 2	Nu se aplică	X	X
Model casetă Summit		Model recipient Aesculap	
IN-8823		*JM444	
IN-6105		*JM742	

**Validat de Summit Medical pentru utilizarea EXCLUSIV în sistemele de sterilizare la temperatură scăzută AMSCO V-PRO. Atunci când utilizați recipiente Aesculap ca barieră sterilă, încărcarea (tava Summit și conținutul), nu trebuie să depășească specificațiile de încărcare ale recipientului din punct de vedere al greutății și instrumentelor încărcate.*

Dimensiunea lumenelor instrumentarului validat include:			
Model casetă Summit	Diametru interior minim	Lungime maximă	Numărul de lumene
IN-8823	3 mm	400 mm	2
IN-6105	3 mm	200 mm	1
IN-2681	1 mm	64 mm	1

Notă: Capacitatea de încărcare cea mai mică validată pe baza calculului orificiilor de aerisire pe volum este tava IN-2681.

INSTRUCȚIUNI DE UTILIZARE (continuare)

VP4 Sterizone, împachetare și recipient rigid Aesculap®

Casetele (tăvile) tip Sistem de protecție a instrumentelor InstruSafe® sunt utilizate pentru a organiza și pentru a proteja alte dispozitive medicale care sunt sterilizate de către un furnizor de servicii medicale. Casetele tip Sistem de protecție a instrumentelor InstruSafe sunt destinate pentru a permite sterilizarea dispozitivelor medicale puse înăuntru în timpul ciclului 1 de sterilizare STERIZONE VP4. Casetele tip Sistem de protecție a instrumentelor InstruSafe sunt destinate a fi utilizate împreună cu un material de împachetare comercializat legal sau cu recipiente rigide Aesculap. Casetele tip Sistem de protecție a instrumentelor InstruSafe nu au scopul de a menține sterilitatea atunci când sunt utilizate singure, fără alte accesorii.

Summit Medical a validat utilizarea casetelor tip Sistem de protecție a instrumentelor InstruSafe în ciclul 1 al sterilizatorului STERIZONE VP4 prin demonstrații de eficacitate a sterilizării, folosind eșantioane reprezentative de dispozitive medicale, inclusiv instrumente generale, instrumente rigide și semirigide cu lumene și endoscoape flexibile. Validarea a furnizat informații care au fost utilizate pentru a stabili limitele de calcul care sunt aplicate în gama de casete tip Sistem de protecție a instrumentelor InstruSafe, pentru a obține asigurarea că toate modelele se încadrează în limitele validate pentru ventilația casetelor, rafturile interioare și greutate:

- Raport minim ventilație-volum, instrumente generale: 0,073
- Raport minim ventilație-volum, endoscoape flexibile: 0,263
- Număr maxim de rafturi interioare: Doi (2)
- Greutatea maximă a casetelor (inclusiv conținutul): 25 lbs/casetă

Consultați tabelul de mai jos pentru încărcările validate folosind casetele tip Sistem de protecție a instrumentelor InstruSafe. Consultați instrucțiunile de utilizare ale producătorului sterilizatorului pentru a vă asigura că încărcările nu depășesc limitele specificate pentru sterilizator.

Descrierea încărcărilor Sistemului de protecție a instrumentelor InstruSafe.

Reprezentativ pentru nr. de încărcare pentru validarea sterilizatorului STERIZONE® VP4 (K190260)	Descrierea încărcărilor de validare Summit Medical	Greutatea totală a încărcării (excluzând raftul de încărcare de 25 lbs.)
4	<p>Încărcarea 4a: A constat din limita încărcării pentru instrumente rigide și semirigide cu canale:</p> <ul style="list-style-type: none"> • Trei (3) endoscoape semirigide cu două canale (uretroscop – 0,7 mm × 500 mm și 1,1 mm × 500 mm) au fost ambalate, câte unul (1) în fiecare casetă, în trei (3) casete IN 7323-R. • Au fost adăugate instrumente suplimentare rigide cu canale, pentru a ajunge la un total de 15 canale. <p>Fiecare casetă a inclus suporturi adecvate pentru instrumente din silicon și a fost împachetată.</p> <p>Încărcarea 4b: A constat din limita încărcării pentru instrumente rigide și semirigide cu canale:</p> <ul style="list-style-type: none"> • Trei (3) endoscoape semirigide cu două canale (uretroscop – 0,7 mm × 400 mm și 1,1 mm × 400 mm) au fost ambalate, câte unul (1) în fiecare casetă, în trei (3) casete IN-0007-TF. • Au fost adăugate instrumente suplimentare rigide cu canale, pentru a ajunge la un total de 15 canale. <p>Fiecare casetă a inclus suporturi adecvate pentru instrumente din silicon și a fost introdusă într-un recipient rigid Aesculap JM440.</p>	<p>Încărcarea 4a = 5 lbs/casetă, 15 lbs în total</p> <p>Încărcarea 4b = 11 lbs/casetă, 33 lbs în total</p>
7	<p>Încărcarea 7a de validare Summit Medical: A constat din limita de greutate a încărcării pentru instrumente medicale generale, reprezentând următoarele geometrii:</p> <ul style="list-style-type: none"> • Balama cu sistem de blocare casetat • Balama pivotantă • Luer-lock <p>Instrumentele medicale generale au fost răspândite în trei casete (3) IN-7323-R cu suporturi adecvate din silicon, fiecare cântărind 25 lbs. Casetele au fost împachetate.</p> <p>Încărcarea 7b de validare Summit Medical: A constat din limita de greutate a încărcării pentru instrumente medicale generale, reprezentând următoarele geometrii:</p> <ul style="list-style-type: none"> • Balama cu sistem de blocare casetat • Balama pivotantă • Luer-lock <p>Instrumentele medicale generale au fost răspândite în trei casete (3) IN-0006-TF cu suporturi adecvate din silicon. Casetele au fost introduse în recipiente Aesculap JM440, fiecare cântărind 25 lbs.</p>	<p>Încărcarea 7a = 25 lbs/casetă 75 lbs în total</p> <p>Încărcarea 7b = 25 lbs/casetă 75 lbs în total</p>
8	<p>Încărcarea 8a de validare Summit Medical: A constat din limita de încărcare de cinci (5) canale de endoscop flexibil în total, în casete împachetate:</p> <ul style="list-style-type: none"> • Două (2) endoscoape flexibile cu două canale (uretroscop – 1 mm × 850 mm și 1 mm × 989 mm) au fost ambalate, câte unul (1) în fiecare casetă, în casete IN-0003-R. • Un (1) endoscop flexibil cu un singur canal (uretroscop – 1 mm × 850 mm) a fost ambalat într-o casetă IN-0004-R. <p>Casetele au inclus suporturi adecvate din silicon și au fost împachetate.</p> <p>Încărcarea 8b de validare Summit Medical: A constat din limita de încărcare de patru (4) canale de endoscop flexibil în total, în casete împachetate, introduse în recipiente rigide:</p> <ul style="list-style-type: none"> • Două (2) endoscoape flexibile cu două canale (uretroscop – 1 mm × 850 mm și 1 mm × 989 mm) au fost ambalate, câte unul (1) în fiecare casetă, în casete IN-0003-TF, cu suporturi adecvate din silicon. <p>Fiecare casetă a fost introdusă într-un recipient Aesculap JM442.</p>	<p>Încărcarea 8a = 4,3 lbs/casetă, 13 lbs în total</p> <p>Încărcarea 8b = 8,3 lbs/casetă, 25 lbs în total</p>

DEPOZITARE

Depozitați casetele cu împachetare sau puse în recipient, a căror sterilizare este finalizată, pe un raft de depozitare în poziție orizontală. Pentru informațiile cu privire la perioada de depozitare consultați producătorul de materiale de împachetare sau de recipiente.

ELIMINAREA DEȘEURILOR

În cazul în care se consideră că sistemele de protecție a instrumentelor InstruSafe® nu trec inspecția înainte de utilizare sau se consideră, în alt mod, că nu mai sunt adecvate scopului, dispozitivele vor fi eliminate la deșeurile în conformitate cu protocolul local. Metoda de eliminare depinde de riscurile potențiale de contaminare încrucișată și infecție atunci când este identificată necesitatea eliminării.

RAPORTAREA INCIDENTELOR GRAVE

Orice incident grav care a avut loc în legătură cu dispozitivul trebuie raportat producătorului și către FDA/autoritatea competentă a statului membru în care este stabilit utilizatorul și/sau pacientul.

GARANȚIE

GARANȚIE LIMITATĂ PENTRU SISTEMELE DE PROTECȚIE A INSTRUMENTELOR INSTRUSAFE ALE SUMMIT MEDICAL.

ACEASTĂ GARANȚIE LIMITATĂ ȘI DESPĂGUBIREA FURNIZATE PRIN PREZENTUL DOCUMENT SUNT EXCLUSIVE ȘI ÎNLOCUIESC ORICE ALTE GARANȚII EXPRESE ȘI, CU EXCEPȚIA CAZULUI ÎN CARE ESTE PREVĂZUT PRIN PREZENTUL DOCUMENT, ORICE DECLARAȚII SAU REPREZENTĂRI FĂCUTE DE ORICE ALTĂ PERSOANĂ SAU FIRMĂ SUNT NULE. DURATA ORICĂROR GARANȚII IMPLICITE DE COMERCIALIZARE SAU DE ADECVARE PENTRU UN SCOP SPECIFIC VA FI LIMITATĂ LA DURATA GARANȚIEI EXPRESE LIMITATE. SUMMIT MEDICAL ȘI AFILIAȚII SĂI NU VOR FI RESPONSABILI PENTRU ORICE PIERDERI SAU PAGUBE INCIDENTALE, PRIN CONSECINȚĂ SAU SPECIALE, REZULTATE DIN UTILIZAREA SAU IMPOSIBILITATEA DE UTILIZARE A SISTEMELOR INSTRUSAFE, INDIFERENT DACĂ ACESTE SUNT REZULTATE DIN ÎNCĂLCAREA CONDIȚIILOR GARANȚIEI SAU DIN ORICE ALTĂ TEORIE LEGALĂ.

Garanția limitată vă conferă drepturi legale specifice și puteți, de asemenea, avea alte drepturi care pot varia de la stat la stat. Unele state nu permit limitări cu privire la durata garanției implicite, sau nu permit excluderea sau limitarea daunelor incidentale sau prin consecință, în concluzie este posibil ca limitarea sau excluderile de mai sus să nu fie aplicabile în cazul dumneavoastră.

Ce include garanția. Summit Medical garantează cumpărătorului inițial pentru o perioadă de 12 luni de la data achiziției inițiale că sistemul InstruSafe prevăzut cu această Garanție limitată este conform cu specificațiile producătorului și nu conține defecte materiale sau de manoperă. În cazul în care cumpărătorul inițial transferă sistemul InstruSafe unei alte părți, această Garanție limitată nu va putea fi utilizată de partea căreia i se transferă produsul.

Ce măsuri luăm noi pentru corectarea problemelor. În cazul în care sistemul dumneavoastră InstruSafe prezintă defecțiuni pe parcursul acestei perioade, trebuie să notificați Summit Medical sau un distribuitor sau dealer autorizat al Summit Medical. Dumneavoastră trebuie să permiteți Summit Medical sau reprezentanților săi să efectueze investigațiile, examinările și testele pe care Summit Medical le consideră necesare și, dacă vi se cere să procedați astfel, veți returna produsul la fabrică la adresa indicată mai jos. Unica obligație a Summit Medical conform acestei Garanții limitate este, la alegerea sa, să repare sau să înlocuiască produsul sau produsele defecte, fără a percepe plată pentru componente sau manoperă. Costurile poștale, de asigurare sau de expediere determinate de prezentarea sistemului dumneavoastră InstruSafe pentru service în garanție sunt în sarcina dumneavoastră.

Ce nu include garanția. Această Garanție limitată este condiționată de utilizarea și întreținerea corectă a produsului, nu acoperă produsele care au fost expediate necorespunzător, sau care au fost utilizate în mod incorect, abuziv, neglijent, sau întreținute, curățate sau depozitate necorespunzător, sau asupra cărora au fost efectuate operații de service de către altcineva decât Summit Medical sau un distribuitor sau dealer autorizat al Summit Medical, sau care au fost modificate fără acordul expres al Summit Medical. Nerespectarea instrucțiunilor din manualul de utilizare poate constitui utilizare sau întreținere incorectă a produsului și determină neaplicarea acestei Garanții limitate. Această Garanție nu se extinde la uzura normală sau piesele de schimb.

Dacă aveți întrebări sau revendicări cu privire la această garanție, contactați:

Departamentul Relații Clienți
Summit Medical
815 Vikings Parkway, Suite 100
St. Paul, MN 55121 | USA
www.instrusafe.com

TELEFON: 651-789-3939 | 888-229-2875
FAX: 651-789-3979 | 888-229-1941
E-MAIL: customerservice@innoviamedical.com

Seadme tootja on kinnitanud, et pakendis olevad juhised võimaldavad taaskasutatavate meditsiiniseadmete ümbertöötlemist.

Sterilisaatorid, instrumentide puhtus, instrumendialuste asjakohane laadimine, instrumentide tüübid ja geomeetria, steriliseerimiskonteinerid, filtrid ja pakendid on sõltuvalt asukohast toodust erinevad.

LUGEGE SEDA JAOTIST ENNE TOOTE KASUTAMIST

ETTENÄHTUD KASUTUS / KASUTUSOTSTARBE KOKKUVÕTE

InstruSafe®-i instrumentide kaitsesüsteemide kassettide/aluste eesmärk on mahutada ja kaitsta taaskasutatavaid meditsiiniseadmeid transpordi, steriliseerimise ja ladustamise ajal. InstruSafe®-i instrumentide kaitsesüsteemi kassettide/alustega korrastatakse ja kaitstakse teisi tervishoiuteenuse osutaja steriliseeritud meditsiiniseadmeid. InstruSafe®-i instrumentide kaitsesüsteemi kassettide/aluste eesmärk on võimaldada kaasasolevate meditsiiniseadmete steriliseerimist järgmiste steriliseerimistsükli ajal.

- Auruga eelvaakum (ISO 17665-1 ja EN 285)
- Etüleenoksiid (ISO 11135)
- Valideeritud madala temperatuuriga steriliseerimine, (ISO 14937) nt
 - STERRAD® 100S Standard (short) ▪ STERIS® AMSCO® V-PRO 1®, V-PRO 1 Plus, V-PRO maX ja V-PRO maX 2
 - STERRAD® 100NX® Express, Standard ja Flex ▪ Sterizone® VP4
 - STERRAD® NX® Standard

InstruSafe®-i instrumentide kaitsesüsteemi kassettide/aluste eesmärk pole ise steriilsust säilitada. InstruSafe®-i instrumentide kaitsesüsteemi kassettide/aluste eesmärk on kasutada neid koos seaduslikult turustatud pakendi, Aesculap® jäikade mahutite või Genesis™ jäikade mahutitega.

InstruSafe®-i steriliseerimiskonteinerid on valideeritud kasutamiseks koos InstruSafe®-i instrumentide kaitsesüsteemi kassettide/alustega (eelvaakum, 270°F (132°C), ainult standardi 510(k) K180528 kohane 4-min auruga steriliseerimise tsükkel). Lisateavet vt InstruSafe®-i steriliseerimiskonteineri kasutusjuhendist.

Seadme mudelite täielik loend on toodud lisas A aadressil www.instrusafe.com/ifus.

SEADME KIRJELDUS

Summit Medical InstruSafe Instrument Protection Systems on kassetid/alused, millega kaetakse ja hoitakse kirurgilisi instrumente ning instrumendi tarvikuid korrastatud viisil steriliseerimise ajal ja sellele järgneval ladustamisel ning transpordil. Kassetid/alused ei puutu patsiendiga kokku. Kassetid/alused ei säilita ise steriilsust. Kassettide/aluste suurus erineb samas põhiseadistuses: kandiline põhi lingiga kaanega. Kassettidel/alustel on perforatsioonid, mis võimaldavad steriilset läbistamist. Kassettide/aluste põhjas on silikoonist sisetükid ja/või nad sisaldavad kaant, et hoida, korrastada ning kaitsta kassetil/alusel olevaid kirurgilisi instrumente steriliseerimise ajal, sellele järgneval ladustamisel ja transpordil.

ETTENÄHTUD KASUTAJA

InstruSafe®-i instrumentide kaitsesüsteemid on mõeldud kasutamiseks tervishoiutöötajate poolt operatsioonisaalis ning meditsiiniseadmete transpordi, steriliseerimise ja ladustamise steriilse töötlemise osakonnas.

TÖÖTLEMISE PIIRANG

1. InstruSafe®-i instrumentide kaitsesüsteemi utiliseeritakse pärast 25ndat steriliseerimistsükli. Kontrollige, et alusel poleks kasutamiset tingitud kulumisi ja kahjustusi. Lõpetage kasutamine kulumismärkide ilmnmisel, sh korrosioon, mehaanilised rikked, mõranemine, ketendus, mahakoormine, purunenud keevised, kahjustunud jalad, kahjustunud riivid, kahjustunud Hold-Its®/Hold-Downs, värvuse muutus jne.
2. Steriliseerimise meetodid ja seadistused leiate **tabelist 2**.
3. **ÄRGE KOORMAKE ÜLE** InstruSafe Systems'it ega selle komponente.
4. **ÄRGE KOORMAKE ÜLE** eraldiolevaid Hold-Its pesasid. Laadige vaid üks instrument Hold-Its pesa kohta.
5. Jäikade mahutite kasutajad **EI TOHI PAKKIDA** InstruSafe Systemsi ega komponente ja asetada neid mahutisse steriliseerimiseks.
6. **ÄRGE VIRNASTAGE** sterilisaatorite sees eraldi pakendatud või mahutitesse pandud InstruSafe®-i süsteeme või komponente. Eraldage pakitud või mahutisse pandud InstruSafe®-i süsteemid või komponendid üksteisest või mistahes muust esemest eraldi sterilisaatori riulitele, et voolaks võimalikult palju sterilanti.
7. Mitteimenduvad tihendid (nt silikoonist sõrmjas korrastamismatt) võivad koguda kondensaadi ühte kohta. Nähtava niiskuse puhul steriliseerige uuesti ja laske kuivada kauem.
8. Konteineri kogukaal (nt konteineri, aluse ja instrumentide laadung) ei tohi ületada 25 naela (11,34 kg).
9. Instrumendid (nt luumenite või kanalitega endoskoobid ja instrumendid) tuleb ette valmistada ja steriliseerida vastavalt instrumendi tootja juhistele.
10. Töötleja on kohustatud säilitama konkreetseid valideerimisi seoses täiesti steriilse protsessiga, mis kehtib steriliseerimisprotsessiks esitatud instrumentide ja mahutite konfiguratsioonidele.
11. Teavet täiendavate piirangute (nt mõõtmete või kaalu piirangud) kohta vt sterilisaatori tootja kasutusjuhendist.

HOIATUSED

- Alumiiniumist InstruSafe'i süsteemi viimistluse kahjustamise vältimiseks kasutage vaid neutraalse pH-ga (6,0-8,5) pesuvahendeid. Väga happelise või väga leeliselise pH-ga pesuvahend võib püsivalt kahjustada kassetide anodeeritud alumiiniumist viimistlust ja metalloosi.
- Ärge kasutage, kui pakend on enne kasutamist viga saanud või kogemata avatud.

NB! Enne kasutamist puhastage ja kontrollige kassette vastavalt kaasasolevatele juhistele.

UNIVERSAALSED ETTEVAATUSABINÕUD

- Isikud peavad kandma kõiki kaitserõivaid ja varustust, mida nõuavad nende tööandja/osakonna töötamise toimingud kokkupuutuva saaste taseme tõttu.
- Söövituse vältimiseks eraldage steriliseerimise ajal erinevad metallid.

KASUTUSKOHT

Eemaldage suur mustus ühekordselt kasutatava lapi/pabersalvrätikuga. Saastunud komponente tuleb hoida kuni kvalifitseeritud puhastamisprotsessini niiskes olekus.

PUHASTAMINE

Kassetis oleva instrumendi puhastamiseks lugege instrumendi tootja erijuhiseid.

Kasseti/aluse puhastamiseks soovitatakse üht järgmistest kinnitatud puhastamisvalikutest.

Alumiiniumkassetide viimistluse kahjustamise vältimiseks kasutage vaid neutraalse pH-ga (6,0-8,5) lahuseid, mis ei sisalda naatriumkarbonaati.

ÄRGE kasutage küürimislappe ega abrasiivpuhasteid. **ÄRGE** hoidke kassetti vedelikus.

1. Käsi suure saastatuse puhastamine:

- Vajaminevad materjalid: neutraalse pH-ga (6,0-8,5) ensümaatilise puhastusvahend, pehme puhastushari ja jooksev vesi;
- Eemaldage kogu nähtav mustus ja saaste pehme puhastusharjaga. Kogu kassett tuleb puhastamise ajal sukeldada vähemalt 2 minutiks, et aidata saastel eemalduda ja vähendada puhastusvahendi pritsimist töötajate peale;
- Loputage puhta veega põhjalikult vähemalt 1 minut, et eemaldage kogu puhastusvahend. Vt puhastusvahendi märgiselt loputamisyjuhendit.

2. Ultraheliga puhastamine:

- Valmistage ette ensümpesu ultraheliga puhastusseadmes.
- Asetage pesuvahendisse üks kassett ja laske töötada vähemalt kümme minutit.
- Loputage puhta kraaniveega vähemalt 2 minutit.
- Vaadake, et kassetil poleks saastet. Vajadusel korra nähtava saaste eemaldamiseks tsükli.

3. Automatiseeritud pesur:

InstruSafe'i instrumentide kaitse-süsteemid on valideeritud automaatseteks pesusükliteks, mis on loetletud **tabelis 1**. Konkreetsete parameetrite sobivust peab hindama töötaja.

Tabel 1

TSÜKKEL	VEETEMPERatuur	PUHASTAMISPROTSESS
Eelpesu 1 ja 2	Külm kraanivesi	Taasringluse aeg: 2 minutit
Ensümpesu	Kuum kraanivesi	Veesoleku aeg: 4 minutit
Pesu 1	Kuumutatakse temperatuurini 150°F (65.5°C)	Taasringluse aeg: 15 minutit
Loputus 1 ja 2	Kuum kraanivesi	Taasringluse aeg: 5 minutit

NB! Pärast automaatpesu tsükli vaatage, et InstruSafe'i süsteemil (kassetil ja tarvikutel) poleks nähtavat mustust. Kogu nähtav mustus tuleb enne steriliseerimise saatmist eemaldada käsitsi, harjates, ultraheliga või täiendavate automaatsüklitega.

DESINFITSEERIMINE

InstruSafe'i süsteemid on mõeldud lõplikuks steriliseerimiseks.

HOOLDUS, KONTROLL JA KATSETAMINE

InstruSafe'i süsteeme saab taaskasutada, kuni ilmneb vastuvõetamatu rike, nagu söövituse, mõra, rooste, ketendamine, kattekihi eraldumine, värvuse muutus või mehaaniline rike.

Mehaanilise rikke alla kuuluvad:

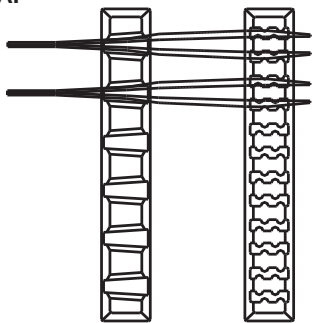
- Katkised või mõranenud nurgad või keevised;
- Katkised või mittetoimivad riivid;
- Kadunud, rebenenud või lõigatud silikoonist vooderdis;
- Kadunud või kahjustunud jalg.

KOKKUPANEK

1. Asetage instrumendid eelmääratud hoidikutesse või asukohapostide määratletud alale nii, et instrumendi pinnad on sterilandi suunas. Vt **joonist A**. Veenduge, et igas pesas oleks vaid üks instrument. Võimalusel lammutage või avage instrumendi kõik osad vastavalt instrumendi tootja juhiste.

ÄRGE koormake üle hoidikuid ega ületage kassettide kaalu piiranguid. Vt lisa A.

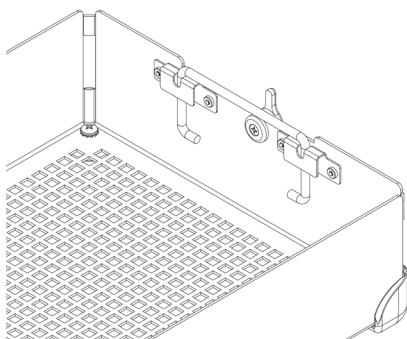
Joonis A.



NB! Instrumendid (nt luumenite või kanalitega endoskoobid ja instrumendid) tuleb ette valmistada ja steriliseerida vastavalt instrumendi tootja kasutusjuhiste.

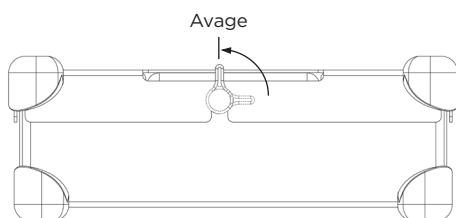
2. Veenduge, et käepidemed oleksid asetatud kassetti (sissetõmmatult). Kujutatud **joonisel B**.

Joonis B.



3. Asetage kasseti kaas kasseti põhja, samas kontrollige, et riivid ühtiksid korralikult kasseti kaane riivi pesaga, seejärel sulgege riivid. Vt **joonist C**.

Joonis C.

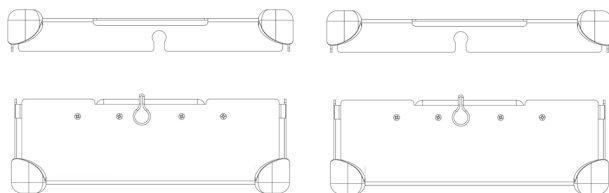


NB! Riivid on nihkes, et kasseti kaas joonduks alati korralikult põhjaga. See tagab kinnitatud kaantega joondatud hoidikud. Õige joonduse leiata **jooniselt D**. **ÄRGE lükake kasseti kaant jõuga selle põhja, kuna see võib kahjustada instrumente ja kassetti.**

Joonis D.

Vale joendus

Õige joendus



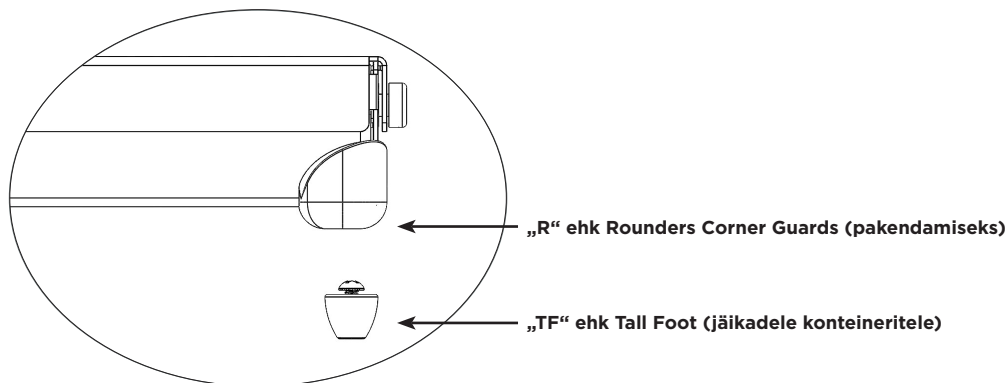
PAKENDAMINE

InstruSafe'i süsteeme võib pakkida seaduslikult müüdavasse pakki või asetada seaduslikult müüdavasse jäika konteineri. Vt kasutusotstarbe avaldusi kasutusjuhistest.

Pakkimine:

1. Enne kasseti pakkimist veenduge, et selle jalg sobib. Pakendi puhul tuleb kasutada R-i. Vt **joonist F**.

Joonis F.



2. Pakkige kassett seaduslikult turustatud pakendisse ja vastavalt pakendi tootja juhistele.

3. Steriliseerige pakend ühel kasutusjuhendis loetletud steriliseerimistsükliil.

Jäikade konteinerite kasutamine:

Vt kasutusotstarbe avaldusi kasutusjuhistest.

1. Enne kasseti asetamist jäika konteineri, veenduge, et selle jalg sobib. Jäiga konteineri puhul tuleb kasutada TF-i. Vt **joonist F**.

2. Paigutage kassett jäika konteineri. Konteineri tihendamisel järgige selle tootja juhiseid.

NB! Ärge pakendage kassette enne konteinerisse steriliseerimiseks panemiseks.

3. Steriliseerige konteiner ja sisu ühel kasutusjuhendis loetletud steriliseerimistsükliil.

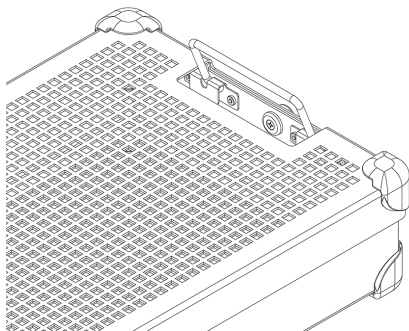
Täiendav teave:

Kasseti aseptiliseks eemaldamiseks jäigast konteinerist järgige konteineri tootja kasutusjuhiseid.

1. Asetage kinnastatud peopesad väljapoole ja sirutage läbi kasseti kaane avauste.

2. Haarake kasseti käepidemetest ja tõstke need ülestõstetud asendisse. Vt **joonist G**.

Joonis G.



3. Lükake käepidemeid sisepoole, eemale jäigast konteinerist ja tõstke kassett konteinerist välja nii, et ei puudutaks konteineri üla- või välisosa.

4. Asetage kassett steriilsele pinnale.

STERILISEERIMINE

InstruSafe'i süsteemidega sobivad steriliseerimisparameetrid leiate **tabelist 2**.

Tabel 2.

STERILISEERIMISMEETOD	TSÜKKEL <i>(korda)</i>
Auruga eelvaakum	Näitaja: Temperatuur 270°F (132°C) Kokkupuute aeg 4 minutit Kuivamisaaeg 30 minutit
Etüleenoksiid (EO)	Eeltingimused: Temperatuur 131°F (55°C) Suhteline õhuniiskus 70 ±15% Eeltingimuse aeg 1 tund Sterilisatsioon: Kokkupuute aeg 120 minutit Temperatuur 131°F (55°C) Tuulutamise aeg 12 tund
STERRAD 100S	<i>Standard</i>
STERRAD 100NX	<i>Standard, Express, Flex</i>
STERRAD NX	<i>Standard</i>
STERIS AMSCO V-PRO 1	<i>Standard</i>
STERIS AMSCO V-PRO 1 PLUS	<i>Luumen, mitteluumen</i>
STERIS AMSCO V-PRO maX	<i>Luumen, mitteluumen</i>
STERIS AMSCO V-PRO maX 2	<i>Luumen, mitteluumen</i>
Sterizone VP4	<i>Tsükkel 1</i>

Summit Medical on kinnitanud järgmised steriliseerimise meetodid.

- 4-minutiline autoklaaviga steriliseerimistsükkel seaduslikult turustatud pakendis, InstruSafe'i steriliseerimiskonteineris, Aesculapi jäigas mahutis või FDA puhastatud Genesis jäigas mahutis. InstruSafe'i steriliseerimiskonteiner on valideeritud K180528 alusel kasutamiseks koos InstruSafe'i instrumentide kaitsesüsteemi kassetide/alustega.
- Etüleenoksiidiga (EO) steriliseerimistsükkel seaduslikult turustatud pakendis või FDA puhastatud Genesis steriilses mahutis.
- STERRAD 100S Standard steriliseerimistsükkel seaduslikult turustatud pakendis või FDA puhastatud Aesculapi jäigas mahutis.
- STERRAD 100NX Standard steriliseerimistsükkel seaduslikult turustatud pakendis või FDA puhastatud Aesculapi jäigas mahutis.
- STERRAD 100NX Express steriliseerimistsükkel seaduslikult turustatud ja FDA puhastatud pakendis.
- STERRAD 100NX Flex steriliseerimistsükkel seaduslikult turustatud pakendis või FDA puhastatud Aesculapi jäigas mahutis.
- STERRAD NX Standard steriliseerimistsükkel seaduslikult turustatud pakendis või FDA puhastatud Aesculapi jäigas mahutis.
- STERIS AMSCO V-PRO 1, V-PRO 1 PLUS ja V-PRO maX 2 steriliseerimistsükli seaduslikult turustatud pakendis või Aesculapi jäigas mahutis, mille kasutamise on lubanud FDA.
- Sterizone VP4 steriliseerimistsükkel seaduslikult turustatud pakendis või FDA puhastatud Aesculapi jäigas mahutis.

ÄRGE ületage tootja määratud steriilse konteineri kandevõimet.

Steriilsuse säilitamiseks kasutage FDA puhastatud tarvikut.

Lugege sterilisaatori kasutusjuhendit, et vajalikud laadungid sobiksid vastava steriliseerimistsükliga.

Lugege konteineri kasutusjuhiseid, et veenduda, kas kavatsetav laadung vastab FDA kinnitatud koormustele antud konteineri jaoks.

KASUTUSOTSTARVE

4-minutilise auru, pakendamise ja Aesculap® jäik konteiner

InstruSafe® instrumentide kaitsesüsteemi kassettidega korrastatakse ja kaitstakse teisi tervishoiuteenuse osutaja steriliseeritud meditsiiniseadmeid. InstruSafe'i instrumentide kaitsesüsteemi kassettide eesmärk on võimaldada kaasasolevate meditsiiniseadmete steriliseerimist auruga eelvaakumi steriliseerimistsükli ajal. InstruSafe'i instrumentide kaitsesüsteemi kassettide eesmärk on kasutada neid koos seaduslikult turustatud pakendi või Aesculapi jäiga konteineriga. InstruSafe'i instrumentide kaitsesüsteemi kassettide eesmärk pole ise steriilsust säilitada.

Autoklaavi steriliseerimisnäitaja	
Tsükel	Eelvaakum
Temperatuur	270 °F (132 °C)
Kokkupuuteaeg	4 minutit
Lühim kuivamisaeg	30 minutit
Summit kasseti mudel	Aesculap konteineri mudel
IN-8823-AE	*JN444
IN-2880	*JK444
IN-6105	*JN742
*Summit Medical lubab seda kasutada auruga eelvaakumi sterilisaatorites VAID 270 °F (132 °C) juures kuni 4 minutit. Lugege konteineri juhiseid, et veenduda, et sisu ei ületaks steriliseerimiskonteineri ettenähtud laadungi nõudeid.	

Luumeni nõuded 4-minutilise auruga eelvaakumi steriliseerimistsükli tarbeks			
Summit kasseti mudel	Väikseim siseläbimõõt	Suurim pikkus	Luumenite arv
IN-8823-CF	3mm	400mm	4
IN-8823-CF	3mm	200mm	2
IN-2880	1mm	76mm	2
IN-2880	3mm	177mm	1
IN-6105	5mm	241mm	1
IN-2681	1mm	65mm	1
IN-2681	3mm	200mm	1
IN-7823	1mm	400mm	17

4-minutilise auru, Genesis™ jäik konteiner

InstruSafe® instrumentide kaitsesüsteemi kassettidega korrastatakse ja kaitstakse teisi tervishoiuteenuse osutaja steriliseeritud meditsiiniseadmeid. InstruSafe'i instrumentide kaitsesüsteemi kassettide eesmärk on võimaldada kaasasolevate meditsiiniseadmete steriliseerimist auruga eelvaakumi steriliseerimistsükli ajal. InstruSafe'i instrumentide kaitsesüsteemi kassettide eesmärk on kasutada neid koos seaduslikult turustatud Genesis jäikade konteineritega. InstruSafe'i instrumentide kaitsesüsteemi kassettide eesmärk pole ise steriilsust säilitada. Seadme mudelite põhjalik loend asub lisas A.

Luumeni nõuded 4-minutilise auruga eelvaakumi steriliseerimistsükli tarbeks			
Summit kasseti mudel	Väikseim siseläbimõõt	Suurim pikkus	Luumenite arv
IN-2681	1mm	65mm	1
IN-2681	3mm	200mm	1
IN-6105	5mm	241mm	1
IN-0000	1mm	400mm	5
	3mm	400mm	1
	5mm	400mm	1

KASUTUSOTSTARBE KOKKUVÕTE (jätkub)

8-minutiline aur ja etüleenoksiid (EO), pakend ja Genesis™ jäik konteiner

InstruSafe® instrumentide kaitstesüsteemi kassettidega korrastatakse ja kaitstakse teisi tervishoiuteenuse osutaja steriliseeritud meditsiiniseadmeid. InstruSafe'i süsteemi kassettide eesmärk on võimaldada kaasasolevate meditsiiniseadmete steriliseerimist auruga eelvaakumi või etüleenoksiidiga steriliseerimistsükli ajal. InstruSafe'i süsteemi kassettide eesmärk on kasutada neid koos keskse seaduslikult turustatud pakendi või Genesisise jäikade konteineritega. InstruSafe'i süsteemi kassettide eesmärk pole ise steriilsust säilitada.

Steriliseerimise meetodid ja seadistused

8-minutilise aurustamise eeltingimus 132°C juures	
140 korda kootud pakend	10-minutiline kuivamisaeg
Mittekootud pakend (Kimberly Clark)	50-minutiline kuivamisaeg
Genesis konteiner (kasutatava filterpaberi viide asub tabelis 1)	30-minutiline kuivamisaeg

Etüleenoksiid (EO)
<ul style="list-style-type: none"> 1 tunnine eeltingimus 131 °F (55 °C) juures, kui suhteline niiskus on 70 ± 15% 2 tunnine eeltingimus 131 °F (55 °C) juures 12 tunnine tuulutamine

Genesis konteiner	Genesis konteineri filterpaber
CD2-4B	FX3-1: 9x9"
CD2-5B	FX3-1: 9x9"
CD3-4B	FX3-1: 9x9"
CD3-5B	FX3-1: 9x9"
CD3-6B	FX3-1: 9x9"
CD3-7B	FX3-1: 9x9"
CD4-5B	FO3-2: 9x6"
CD5-61B	FO3-2: 9x6"
CD6-6B	FX3-1: 9x9"

Mistahes Genesisise jäiga konteineri kasutamisel vt V. Muelleri Genesisise steriliseerimiskonteineri kasutusjuhiseid.

STERRAD® 100S ja STERRAD® 100NX® Standard tsükel, pakend ja Aesculap® jäik konteiner

InstruSafe® instrumentide kaitstesüsteemi kassettidega korrastatakse ja kaitstakse teisi tervishoiuteenuse osutaja steriliseeritud meditsiiniseadmeid. InstruSafe'i instrumentide kaitstesüsteemi kassettide eesmärk on võimaldada kaasasolevate meditsiiniseadmete steriliseerimist Sterrad 100S Standard ja Sterrad 100NX Standard steriliseerimistsükli ajal. InstruSafe'i instrumentide kaitstesüsteemi kassettide eesmärk on kasutada neid koos seaduslikult turustatud pakendi või Aesculapi jäiga konteineriga. InstruSafe'i instrumentide kaitstesüsteemi kassettide eesmärk pole ise steriilsust säilitada. Seadme mudelite põhjalik loend asub lisas A.

Järgmised steriliseerimisalused sobivad vastavate jäikade konteineritega.

STERRAD 100S Standard tsükel	
Summit kasseti mudel	Aesculap konteineri mudel
IN-8823-AE	*JM444
IN-6105	*JM440

STERRAD 100NX Standard tsükel	
Summit kasseti mudel	Aesculap konteineri mudel
IN-8823-AE	*JM444
IN-6105	*JM440

*Summit Medical lubab neid kasutada VAID STERRAD 100S Standard tsükli ja STERRAD 100NX Standard tsükliga. Lugege konteineri juhiseid, et veenduda, et sisu ei ületaks steriliseerimiskonteineri ettenähtud laadungi nõudeid.

STERRAD 100S Standard ja STERRAD 100NX Standard tsükli luumeni nõuded	
4 roostevabast terasest luumenit, 3mm siseläbimõõt x 400mm pikkus	Kõik sobiva suurusega mudelid on loetletud lisas A välja arvatud IN-2681 puhul.
2 roostevabast terasest luumenit, 3mm siseläbimõõt x 200mm pikkus	
1 roostevabast terasest luumenit, 3mm siseläbimõõt x 200mm pikkus	IN-2681
1 roostevabast terasest luumenit, 1mm siseläbimõõt x 65mm pikkus	

KASUTUSOTSTARBE KOKKUVÕTE (jätkub)

STERRAD® NX® Standard tsükli, pakendi ja Aesculap® jääk konteiner

InstruSafe® instrumentide kaitstesüsteemi kassettidega korrastatakse ja kaitstakse teisi tervishoiuteenuse osutaja steriliseeritud meditsiiniseadmeid. InstruSafe'i instrumentide kaitstesüsteemi kassettide eesmärk on võimaldada kaasasolevate meditsiiniseadmete steriliseerimist Sterrad NX Standard steriliseerimistsükli ajal. InstruSafe'i instrumentide kaitstesüsteemi kassettide eesmärk on kasutada neid koos seaduslikult turustatud pakendi või Aesculapi jääga konteineriga. InstruSafe'i instrumentide kaitstesüsteemi kassettide eesmärk pole ise steriilsust säilitada. Seadme mudelite põhjalik loend asub lisas A.

Steriliseerimise meetodid ja seadistused

– Sterrad NX Standard steriliseerimistsükkel

STERRAD NX Standard steriliseerimistsükli luumeni nõuded			
Summit kasseti mudel	Väikseim siseläbimõõt	Suurim pikkus	Luumenite arv
IN-2681	1mm	65mm	1
IN-2681	3mm	200mm	1
IN-8987-S	1mm	500mm	5
IN-8615	2,3mm	210mm	5
IN-6105	4mm	235mm	1

NB! Kinnitatud halvima juhu laadung on vent-mahu arvutuse alusel IN-2681 alus.

STERRAD® 100NX® Express tsükkel, pakend

InstruSafe® instrumentide kaitstesüsteemi kassettidega korrastatakse ja kaitstakse teisi tervishoiuteenuse osutaja steriliseeritud meditsiiniseadmeid. InstruSafe'i instrumentide kaitstesüsteemi kassettide eesmärk on võimaldada kaasasolevate meditsiiniseadmete steriliseerimist Sterrad® 100NX Express tsükli ajal. InstruSafe'i instrumentide kaitstesüsteemi kassettide eesmärk on kasutada neid koos seaduslikult turustatud pakendiga. InstruSafe'i instrumentide kaitstesüsteemi kassettide eesmärk pole ise steriilsust säilitada. InstruSafe'i instrumentide kaitstesüsteemil pole luumeni nõudeid Sterrad 100NX Express tsükli puhul.

STERRAD® 100NX® Flex steriliseerimistsükkel, pakend ja Aesculap® jääk konteiner

InstruSafe® instrumentide kaitstesüsteemi kassettidega korrastatakse ja kaitstakse teisi tervishoiuteenuse osutaja steriliseeritud meditsiiniseadmeid. InstruSafe'i instrumentide kaitstesüsteemi kassettide eesmärk on võimaldada kaasasolevate meditsiiniseadmete steriliseerimist Sterrad 100NX Flex steriliseerimistsükli ajal. InstruSafe'i instrumentide kaitstesüsteemi kassettide eesmärk on kasutada neid koos seaduslikult turustatud pakendi või Aesculapi jääga konteineriga. InstruSafe'i instrumentide kaitstesüsteemi kassettide eesmärk pole ise steriilsust säilitada. Seadme mudelite põhjalik loend asub lisas A.

STERRAD 100NX Flex steriliseerimise tsükkel	
Summit kasseti mudel	Aesculap konteineri mudel
IN-0000	*JM440
IN-6105	*JM440

**Summit Medical lubab neid kasutada VAID STERRAD 100NX Flex steriliseerimistsükliga. Lugege konteineri juhiseid, et veenduda, et sisu ei ületaks steriliseerimiskonteineri ettenähtud laadungi nõudeid.*

STERRAD 100NX Flex steriliseerimistsükli luumeni nõuded				
Summit kasseti mudel	Väikseim siseläbimõõt	Suurim pikkus	Luumenite arv	Pakend/jääk konteiner
IN-0000	1mm	850mm	1	Pakend ja jääk konteiner
IN-8823	1mm	850mm	1	Pakend ja jääk konteiner
IN-7344	1mm	850mm	1	Pakend
IN-6105	4mm	235mm	1	Pakend ja jääk konteiner

Kinnitatud halvima juhu laadung on vent-mahu arvutuse alusel IN-0000 alus.

NB! IN-0000 alus on mõeldud vaid katsetamiseks.

KASUTUSOTSTARBE KOKKUVÕTE (jätkub)

AMSCO® V-PRO® madala temperatuuriga steriliseerimistsüklid, pakend ja Aesculap® jäik konteiner

InstruSafe®-i instrumentide kaitsesüsteemi kassettidega korrastatakse ja kaitstakse teisi tervishoiuteenuse osutaja steriliseeritud meditsiiniseadmeid. InstruSafe'i instrumentide kaitsesüsteemi kassettide eesmärk on võimaldada kaasasolevate meditsiiniseadmete steriliseerimist Amsco V-PRO madala temperatuuriga steriliseerimistsükli ajal. InstruSafe'i instrumentide kaitsesüsteemi kassettide eesmärk on kasutada neid koos seaduslikult turustatud pakendi või Aesculapi jäikade mahutitega. InstruSafe'i instrumentide kaitsesüsteemi kassettide eesmärk pole ise steriilsust säilitada. Seadme mudelite põhjalik loend asub lisan A.

AMSCO V-PRO madala temperatuuriga steriliseerimissüsteemid			
Sterilisaator	Standard tsükel	Luumeniga tsükel	Luumenita tsükel
V-PRO 1	X	-	-
V-PRO 1 PLUS	-	X	X
V-PRO maX	-	X	X
V-PRO maX 2	-	X	X
Summit kasseti mudel		Aesculap konteineri mudel	
IN-8823		*JM444	
IN-6105		*JM742	
<i>*Summit Medical lubab neid kasutada VAID AMSCO V-PRO madala temperatuuriga steriliseerimissüsteemidega. Kui Aesculapi mahutit kasutatakse steriilse kaitsena, ei tohi laadung (Summiti alus ja sisu) ületada antud konteineri nõudeid kaalu või laadungi tüübi suhtes.</i>			

Kinnitatud instrumentide luumeni suurusteks on:			
Summit kasseti mudel	Väikseim siseläbimõõt	Suurim pikkus	Luumenite arv
IN-8823	3mm	400mm	2
IN-6105	3mm	200mm	1
IN-2681	1mm	64mm	1
NB! Kinnitatud halvima juhu laadung on vent-mahu arvutuse alusel IN-2681 alus.			

KASUTUSOTSTARBE KOKKUVÕTE (jätkub)

VP4 Sterizone, pakend ja Aesculap® jäik konteiner

InstruSafe® instrumentide kaitsesüsteemi kassettidega (alustega) korrastatakse ja kaitstakse teisi tervishoiuteenuse osutaja steriliseeritud meditsiiniseadmeid. InstruSafe'i instrumentide kaitsesüsteemi kassettide eesmärk on võimaldada kaasasolevate meditsiiniseadmete steriliseerimist STERIZONE VP4 steriliseerimistsükli 1 ajal. InstruSafe'i instrumentide kaitsesüsteemi kassettide eesmärk on kasutada neid koos seaduslikult turustatud pakendi või Aesculapi jäikade mahutitega. InstruSafe'i instrumentide kaitsesüsteemi kassettide eesmärk pole ise steriilsust säilitada.

Summit Medical on valideerinud InstruSafe'i instrumentide kaitsesüsteemi kassettide kasutamise STERIZONE VP4 sterilisaatori 1. tsükli, demonstreerides steriliseerimise tõhusust meditsiiniseadmete näitel, sh üldinstrumendid, jäigad ja pooljäigad luumenitega instrumendid ja painduvad endoskoobid. Valideerimisel saadud teavet on kasutatud InstruSafe'i instrumentide kaitsesüsteemi kassettide konstruktsioonipiirangute kehtestamisel, et tagada kõigi mudelite jäämine kasseti ventilatsiooni, sisemiste riulite ja kaalu kinnitatud piiridesse.

- Minimaalne ventilatsiooni ja mahu suhe, üldinstrumendid: 0,073
- Minimaalne ventilatsiooni ja mahu suhe, painduvad endoskoobid: 0,263
- Maksimaalne sisemiste riulite arv: kaks (2)
- Kasseti maksimaalne kaal (koos sisuga): 25 naela/kassett

Vaadake allolevast tabelist valideeritud koormusi InstruSafe'i instrumentide kaitsesüsteemi kassettide kasutamisel. Järgige sterilisaatori tootja kasutusjuhiseid, et koormused ei ületaks sterilisaatori jaoks kehtestatud piirväärtusi.

InstruSafe'i instrumentide kaitsesüsteemi koormuste kirjeldus.

Esindaja - STERIZONE® VP4 sterilisaatori valideerimiskoormuse nr (K190260)	Summit Medicali valideerimiskoormuse kirjeldus	Koormuse kogukaal (välja arvatud 25 naela kaaluv laadimisalus)
4	<p>Koormus 4a: Koosnes jäikade ja pooljäikade kanaliga instrumentide piirkoormusest:</p> <ul style="list-style-type: none"> • Kolm (3) kahe kanaliga pooljäika endoskoopi (ureteroskoop - 0,7mm x 500mm ja 1,1mm x 500mm) pakituna, üks (1) kasseti kohta, kolmes (3) IN 7323-R kassetis. • Lisati täiendavad jäiku kanaliga instrumenti, et saavutada kokku 15 kanalit. <p>Iga kassett sisaldas asjakohaseid silikoonist instrumendihoidikuid ja oli pakitud.</p> <p>Koormus 4b: Koosnes jäikade ja pooljäikade kanaliga instrumentide piirkoormusest:</p> <ul style="list-style-type: none"> • Kolm (3) kahe kanaliga pooljäika endoskoopi (ureteroskoop - 0,7mm x 400mm ja 1,1mm x 400mm) pakituna, üks (1) kasseti kohta, kolmes (3) IN-0007-TF kassetis. • Lisati täiendavad jäiku kanaliga instrumenti, et saavutada kokku 15 kanalit. <p>Iga kassett sisaldas asjakohaseid silikoonist instrumendihoidikuid ja oli Aesculap JM440 jäigas konteineris.</p>	<p>Koormus 4a = 5 naela/kassett, kokku 15 naela</p> <p>Koormus 4b = 11 naela/kassett, kokku 33 naela</p>
7	<p>Summit Medicali valideerimiskoormus 7a: Koosnes järgmise geomeetriaga üldmeditsiini instrumentide koormuse kaalupiirangust:</p> <ul style="list-style-type: none"> • karbi lukusti hing; • liigendhing; • Luer-lukk <p>Üldmeditsiini instrumendid jagati kolme (3) IN-7323-R kasseti, milles olid asjakohased silikoonhoidikud ja millest igaüks kaalus 25 naela. Kassetid olid pakitud.</p> <p>Summit Medicali valideerimiskoormus 7b: Koosnes järgmise geomeetriaga üldmeditsiini instrumentide koormuse kaalupiirangust:</p> <ul style="list-style-type: none"> • karbi lukusti hing; • liigendhing; • Luer-lukk <p>Üldmeditsiini instrumendid jagati kolme (3) IN-0006-TF kasseti, milles olid asjakohased silikoonhoidikud. Kassetid pandi Aesculap JM440 konteineritesse, millest igaüks kaalus 25 naela.</p>	<p>Koormus 7a = 25 naela/kassett kokku 75 naela</p> <p>Koormus 7b = 25 naela/kassett kokku 75 naela</p>
8	<p>Summit Medicali valideerimiskoormus 8a: Koosnes viie (5) pakitud kassettides oleva täiesti painduva endoskoobi kanali piirkoormusest:</p> <ul style="list-style-type: none"> • Kaks (2) kahe kanaliga painduvat endoskoopi (ureteroskoobid - 1mm x 850mm ja 1mm x 989mm) pakituna, üks (1) kasseti kohta, IN-0003-R kassettides. • Üks (1) ühe kanaliga painduv endoskoop (ureteroskoop - 1mm x 850mm) pakituna IN-0004-R kassetis. <p>Kassetid sisaldasid asjakohaseid silikoonist hoidikuid ja olid pakitud.</p> <p>Summit Medicali valideerimiskoormus 8b: Koosnes nelja (4) jäika konteinerisse pakitud täiesti painduva endoskoobi kanali piirkoormusest:</p> <ul style="list-style-type: none"> • Kaks (2) kahe kanaliga painduvat endoskoopi (ureteroskoop - 1mm x 850mm ja 1mm x 989mm) pakituna, üks (1) kasseti kohta, IN-0003-TF kassettides, asjakohaste silikoonist hoidikutega. <p>Iga kassett pandi Aesculap JM442 konteinerisse.</p>	<p>Koormus 8a = 4,3 naela/kassett, kokku 13 naela</p> <p>Koormus 8b = 8,3 naela/kassett, kokku 25 naela</p>

HOIDMINE

Hoidke pakitud või mahutisse pandud täiesti steriilseid kassette hoiuriulil horisontaalselt. Säilivusaja osas pidage nõu pakendi või konteineri tootjaga.

RINGLUSEST KÕRVALDAMINE

Kui InstruSafe®-i instrumentide kaitsesüsteemid ei läbi enne kasutuselevõttu ülevaatus või kui neid mingil muul põhjusel ei peeta eesmärgile vastavaks, tuleb seadmed vastavalt kohalikele eeskirjadele ringlusest kõrvaldada. Ringlusest kõrvaldamise meetod sõltub ritsaastumise ja nakkuste potentsiaalsetest riskidest ringlusest kõrvaldamise vajaduse tuvastamise ajal.

TÖSISTEST VAHEJUHTUMITEST TEATAMINE

Seadmega seoses aset leidnud tõsistest vahejuhtumitest tuleks teavitada tootjat ja FDA-d / pädevat asutust liikmesriigis, milles kasutaja ja/või patsient asub.

GARANTII

SUMMIT MEDICAL INSTRUSAFE INSTRUMENDI KAITSESÜSTEEMI PIIRATUD GARANTII.

KÄESOLEV PIIRATUD GARANTII JA SIIN MAINITUD ABINÕU ON EKSKLUSIIVSED NING ASENDAVAD KÕIKI MUID SELGESÕNALISI GARANTIISID JA, KUI SIIN POLE TEISITI ÖELDUD, ON IGA TEISE ISIKU VÕI ETTEVÕTTE TEHTUD MISTAHES AVALDUSED VÕI ESILDISED ÕIGUSTÜHISED. MIS TAHES KAUDSETE GARANTIIDE KAUBASTATAVUSE KESTVUSE VÕI KINDLAKS OTSTARBEKS SOBIVUSE KOHTA PIIRDUVAD SELGESÕNALISE PIIRATUD GARANTII KESTVUSEGA. SUMMIT MEDICAL EGA SELLE TÛTARETTEVÕTTED POLE VASTUTAVAD MISTAHES JUHUSLIKE VÕI KAUDSETE VÕI ERILISTE KAHJUMITE VÕI KAHJUDE EEST, MIS TULENEVAD INSTRUSAFE'I SÛSTEEMI KASUTAMISEST VÕI OSKAMATUSEST SEDA KASUTADA, OLENEMATA SELLEST, KAS NEED TULENEVAD GARANTII RIKKUMISEST VÕI MISTAHES MUUST ÕIGUSLIKUST ASJAOLUST.

See piiratud garantii annab teile konkreetseid seaduslikud õigused. Teil võib olla ka muid õigusi, mis erinevad maakonniti. Osad maakonnad ei luba piirata kaudse garantii kehtivust või ei luba juhuslike või põhjuslike kahjude puhul erandeid või piiranguid, seega ülal olevad piirangud või erandid ei pruugi kehtida teile.

Mis kuulub garantii alla? Summit Medical kinnitab esimesele ostjale, et selle piiratud garantiiga kaetud InstruSafe süsteem vastab tootja andmetele ja see töötab alates esimese ostu kuupäevast 12 kuud korralikult. Kui esimene ostja annab InstruSafe süsteemi üle muule osapoolle, siis toote saanud osapoolle see piiratud garantii ei ole jõustatav.

Mida teeme probleemi lahendamiseks? Kui sel ajal esineb InstruSafe süsteemis defekte, peate sellest teavitama Summit Medicali või tema volitatud edasimüüjat või turustajat. Peate lubama Summit Medicalil või tema esindajatel uurida, hinnata ja katsetada nii nagu Summit Medicali heaks arvab ja nõudmisel tagastama toote tehasesse allpool esitatud aadressile. Summit Medicali ainukohustus selle piiratud garantii alusel on oma äranägemisel parandada või asendada defektse(d) toote(d) ilma, et nõuaks tasu varuosade või tööjõukulude eest. Teie vastutate InstruSafe süsteemi hooldusesse saatmise tõttu sissenõutavate posti, kindlustuse või saatmise kulude eest.

Mis ei kuulu garantii alla? Käesolev piiratud garantii sõltub toote õigest kasutamisest ja hooldamisest. See ei hõlma valesti saadetud, kasutatud, varastatud, hooletusse jäetud või sobimatult hooldatud, puhastatud või hoiustatud või mitte Summit Medicali või Summit Medicali volitatud edasimüüja või turustaja hooldatud või ilma Summit Medicali selgesõnalise kinnitusega muudetud tooteid. Kasutusjuhendi suuniste eiramine võib tähendada toote valet kasutamist või hooldamist ja põhjustab käesoleva piiratud garantii tühistamise. See garantii ei hõlma tavapärasest kulumist või varuosi.

Garantii kohta saate küsimusi või nõudeid esitada aadressile:

Klienditeeninduse osakond
Summit Medical
815 Vikings Parkway, Suite 100
St. Paul, MN 55121 | USA
www.instrusafe.com

TELEFON: 651-789-3939 | 888-229-2875
FAKS: 651-789-3979 | 888-229-1941
E-POSTI AADRESS: customerservice@innoviamedical.com

Ierīces ražotājs šīs instrukcijas ir apstiprinājis kā piemērotas atkārtoti lietojamu medicīnisku ierīču pārstrādei.

Katrā iestādē atsevišķi sterilizatori, instrumentu tīrība, īpaši norādījumi instrumentu paplašu ievietošanai, instrumentu veidi un ģeometrija, sterilizācijas tvertnes, filtri un iesaiņojuma materiāls var atšķirties.

PIRMS IZSTRĀDĀJUMA LIETOŠANAS SĀKŠANAS IZLASIET ŠAJĀ SADAĻĀ SNIEGTO INFORMĀCIJU

PAREDZĒTAIS LIETOJUMS/LIETOŠANAS INDIKĀCIJU KOPSAVILKUMS

InstruSafe® instrumentu aizsardzības sistēmas kasetes/paplātes ir paredzētas atkārtoti lietojamu medicīnisku ierīču glabāšanai un aizsardzībai transportēšanas, sterilizācijas un uzglabāšanas laikā. InstruSafe® instrumentu aizsardzības sistēmas kasetes/paplātes paredzēts izmantot, lai kārtotu un aizsargātu citas medicīniskas ierīces, kuru sterilizāciju ir veicis veselības aprūpes pakalpojumu sniedzējs. InstruSafe instrumentu aizsardzības sistēmas kasetes/paplātes ir paredzēts izmantot iepakotu medicīnisku ierīču sterilizācijai šādos sterilizācijas ciklos:

- Sākotnējā sterilizācija ar vakuumu un tvaiku (ISO 17665-1 un EN 285)
- Ar etilēnoksidu (ISO 11135);
- Apstiprināta zemas temperatūras sterilizācija, (ISO 14937), t.i.
 - STERRAD® 100S Standard (īss)
 - STERRAD® 100NX® Express, Standard un Flex
 - STERRAD® NX® Standard
 - STERIS® AMSCO® V-PRO 1®, V-PRO 1 Plus, V-PRO maX un V-PRO maX 2
 - Sterizone® VP4

InstruSafe instrumentu aizsardzības sistēmas kasetes/paplātes nav paredzēts izmantot kā vienīgo sterilitātes uzturēšanas līdzekli. InstruSafe instrumentu aizsardzības sistēmas kasetes/paplātes paredzēts izmantot kopā ar oficiāli tirdzniecībā pieejamiem iesaiņojuma materiāliem, kā arī ar Aesculap® vai Genesis™ cietajām tvertnēm.

InstruSafe sterilizācijas tvertnes ir apstiprinātas lietošanai ar InstruSafe instrumentu aizsardzības sistēmas kasetēm/paplātēm, (sākotnējā sterilizācija ar vakuumu, 270 °F (132 °C), tikai 4 minūšu tvaika sterilizācijas cikls) atbilstīgi 510(k) K180528. Papildinformāciju skatiet InstruSafe® sterilizācijas tvertnes lietošanas instrukcijā.

Visu ierīču modeļu saraksts ir iekļauts A pielikumā, kuru var skatīt vietnē www.instrusafe.com/ifus.

IERĪCES APRAKSTS

Summit Medical InstruSafe instrumentu aizsardzības sistēmas ir kasetes/paplātes, ko paredzēts izmantot ķirurģisko instrumentu un instrumentu piederumu glabāšanai sterilizācijas procesa laikā, uzglabāšanai pēc sterilizācijas un transportēšanas laikā. Kasetes/paplātes nav tiešā saskarē ar pacientu. Kasetes/paplātes vienas pašas nenodrošina sterilitāti. Kasetēm/paplātēm ir atšķirīgi izmēri, tomēr tām ir vienāda pamata konfigurācija: taisnstūrveida pamatne ar noslēdzamu vāku. Kasetēm/paplātēm ir atveres, caur kurām iekļūst sterilizācijas līdzeklis. Uz kasetes/paplātes pamatnes un/vai pārsega ir novietots silikona ieliktnis, lai uzglabātu, kārtotu un aizsargātu kasetē/uz paplātes ievietotos ķirurģiskos instrumentus sterilizācijas procesa laikā un pēc sterilizācijas uzglabāšanas un transportēšanas laikā.

PAREDZĒTAIS LIETOTĀJS

Tiek paredzēts, ka InstruSafe® instrumentu aizsardzības sistēmu lieto operāciju zāles un sterilas apstrādes nodaļas veselības aprūpes speciālisti, lai transportētu, sterilizētu un uzglabātu medicīniskas ierīces.

APSTRĀDES IEROBEŽOJUMI

1. InstruSafe instrumentu aizsardzības sistēmas lietderīgais kalpošanas laiks ir vismaz 25 sterilizācijas cikli. Pirms lietošanas pārbaudiet, vai paplātei nav nolietotāns vai lietošanas laikā radušos bojājumu pazīmju. Pārtrauciet lietošanu, ja ir redzamas nolietotāns pazīmes, tostarp korozija, mehāniski bojājumi, plaisas, pārklājuma lobīšanās, atslāņošanās, bojātas savienojuma vietas, bojāta pamatne, bojāti fiksatori, bojātas Hold-Its®/Hold-Downs līgšanas, krāsas izmaiņas utt.
2. Informācija par sterilizācijas metodēm un konfigurācijām ir sniegta **2. tabulā**.
3. **PĀRMĒRĪGI NENOSLOGOJIET** InstruSafe sistēmas vai komponentus.
4. **PĀRMĒRĪGI NENOSLOGOJIET** atsevišķas Hold-Its līgšanas. Katrā Hold-Its līgšanā ievietojiet tikai vienu instrumentu.
5. Ja tiek izmantota cietā tvertne, **NEIESAIŅOJIET** InstruSafe sistēmas vai komponentus pirms ievietošanas tvertnē, lai veiktu sterilizāciju.
6. Sterilizatorā **NELIECIET VIENU UZ OTRA** atsevišķi iesaiņotas vai tvertnē ievietotas InstruSafe sistēmas vai komponentus. Atdaliet iesaiņotās vai tvertnē ievietotās InstruSafe sistēmas vai komponentus vienu no otra vai no citiem priekšmetiem, piemēram, novietojot katru uz atsevišķa sterilizatora plaukta, lai tiem maksimāli piekļūtu sterilizācijas līdzeklis.
7. Lietojot neabsorbējošus paplātes paliktņus (piemēram, silikona paliktņi), var tikt veicināta kondensāta uzkrāšanās. Ja ir redzams mitrums, veiciet atkārtotu sterilizāciju, bet ar ilgāku žāvēšanas laiku.
8. Tvertnes sistēmas (piemēram, tvertnes, paplātes un ievietoto instrumentu) kopējais svars nedrīkst pārsniegt 25 mārciņas (11,34 kg).
9. Instrumenti (piemēram, endoskopi un instrumenti ar lūmeniem vai kanāliem) jāsaņem un jāsterilizē atbilstoši instrumenta ražotāja instrukcijām.
10. Personai, kura veic apstrādi, ir pienākums veikt īpašas tā sterilizācijas cikla pārbaudes, kas tiek izmantots sterilizācijas procesam pakļauto instrumentu un tvertņu konfigurācijai.
11. Papildu ierobežojumus skatiet sterilizētāja ražotāja lietošanas instrukcijā (piemēram, izmēru vai svara ierobežojumi).

BRĪDINĀJUMI

- Alumīnija InstruSafe sistēmām izmantojiet tikai pH neitrālus (6,0–8,5) mazgāšanas līdzekļus, lai nesabojātu to pārklājumu. Mazgāšanas līdzeklis ar ļoti skābu vai ļoti sārmainu pH līmeni var neatgriezeniski bojāt kasetes korpusa alumīnija anodpārklājumu un metāla komponentu virsmu.
- Nelietojiet, ja iepakojums pirms lietošanas ir bojāts vai netīši atvērts.

Piezīme. Pirms kasešu lietošanas sākšanas tīriet un pārbaudiet tās saskaņā ar instrukcijām.

VISPĀRĪGI PIESARDZĪBAS PASĀKUMI

- Personālam jāvalkā personāla aizsargtērps un jāizmanto aizsarglīdzekļi, ko noteicis viņu darba devējs vai kas norādīti iestādes darba procedūru aprakstā, kā arī, kas ir piemēroti paredzamajam piesārņojuma līmenim.
- Lai novērstu koroziju, sterilizācijas laikā atdaliet priekšmetus, kas ir izgatavoti no atšķirīga veida metāla.

LIETOŠANAS VIETA

Notīriet palikušos netīrumus ar vienreizējās lietošanas drānu/papīra salveti. Piesārņotie komponenti jātur mitrumā, līdz tiem tiek veikts apstiprināts tīrīšanas process.

TĪRĪŠANA

Papildinformāciju par kasetēs ievietotu instrumentu tīrīšanu skatiet instrumenta ražotāja lietošanas instrukcijā.

Kasetes/paplātes tīrīšanai ieteicams izmantot vienu no tālāk minētajām apstiprinātajām tīrīšanas metodēm.

Lai nesabojātu alumīnija kasešu virsmu, lietojiet tikai pH neitrālus (6,0–8,5) šķīdumus, kas nesatur nātrija karbonātu.

NELIETOJIET pulēšanas spilventiņus vai abrazīvus tīrīšanas līdzekļus. **NEGLABĀJIET** kaseti iegremdētu šķīdumā.

1. Manuāla pilnā dekontaminācija

- Nepieciešamie materiāli: pH neitrāls (6,0–8,5) enzimatisks mazgāšanas līdzeklis, suka ar mīkstiem sariem un tekošs ūdens.
- Noīriet visus redzamos netīrumus un piesārņojumu, izmantojot suku ar mīkstiem sariem. Tīrīšanas laikā kasetei vismaz 2 minūtes jābūt pilnībā iemērkta mazgāšanas līdzeklī, lai labāk notīrītu piesārņojumu un novērstu mazgāšanas līdzekļa šķakatas.
- Vismaz 1 minūti rūpīgi skalojiet ar tīru ūdeni, lai noskalotu visu mazgāšanas līdzekli. Instrukcijas par skalošanu skatiet uz mazgāšanas līdzekļa etiķetes.

2. Tīrīšana ar ultraskaņu

- Sagatavojiet enzīmus saturošu tīrīšanas līdzekli ultraskaņas tīrīšanas iekārtā.
- Uz vismaz desmit minūtēm ievietojiet vienu kaseti mazgāšanas līdzeklī.
- Vismaz 2 minūtes skalojiet ar aukstu krāna ūdeni.
- Vizuāli pārbaudiet, vai uz kasetes nav piesārņojuma paliekas. Ja nepieciešams, atkārtojiet ciklu, lai notīrītu visu redzamo piesārņojumu.

3. Automatizēta mazgāšanas ierīce

InstruSafe instrumentu aizsardzības sistēmas ir apstiprinātas automatizētajiem mazgāšanas sistēmas cikliem, kas norādīti **1. tabulā**. Personai, kura veic apstrādi, ir jānodrošina konkrēti parametri.

1. tabula

CIKLS	ŪDENS TEMPERATŪRA	TĪRĪŠANAS PROCESS
1. un 2. sākotnējā mazgāšana	Auksts krāna ūdens	Recirkulācijas ilgums: 2 minūtes
Enzīmus saturošs līdzeklis	Karsts krāna ūdens	Iegremdēšanas ilgums: 4 minūtes
1. mazgāšana	Uzsildīts līdz 150 °F (65,5 °C)	Recirkulācijas ilgums: 15 minūtes
1. un 2. skalošana	Karsts krāna ūdens	Recirkulācijas ilgums: 5 minūtes

***Piezīme.** Pēc automatizētā mazgāšanas cikla pabeigšanas vizuāli pārbaudiet, vai InstruSafe sistēmai (kasetei un piederumiem) nav redzamas netīrumu paliekas. Visi redzamie netīrumi pirms sterilizācijas ir jānotīra ar roku, suku vai ultraskaņu, vai arī jāveic papildu automatizētās mazgāšanas cikls.*

DEZINFEKCIJA

InstruSafe sistēmas ir piemērotas pilnīgai sterilizācijai.

APKOPE, PĀRBAUDE UN TESTĒŠANA

InstruSafe sistēmas drīkst lietot atkārtoti, līdz tiek konstatēta nepieņemama nolietojamība, piemēram, korozija, plaisas, rūsa, pārklājuma lobīšanās, atslāņošana, krāsas izmaiņas vai mehāniski bojājumi.

Mehānisku bojājumu pazīmes:

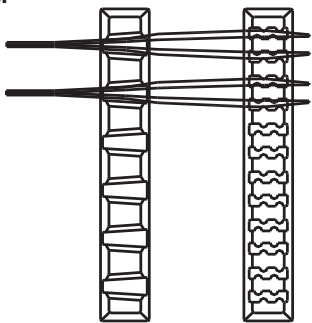
- bojāti vai saplaisājuši stūri vai savienojuma vietas;
- bojāti vai nefunkcionējoši fiksatori;
- nav silikona ieliktnu vai tie ir saplēsti vai sagriezti;
- nav pamatnes vai tā ir bojāta.

MONTĀŽA

1. Novietojiet instrumentus iepriekš sagatavotos turētājos vai lietošanas vietu tuvumā tā, lai tiktu sterilizētas pilnībā visas instrumenta virsmas. Skatiet **A attēlu**. Katrā ligzdā drīkst ievietot tikai vienu instrumentu. Ja iespējams, izjauciet instrumentu vai atveriet visas tā daļas saskaņā ar instrumenta ražotāja norādījumiem.

NEPĀRSLOGOJIET turētājus un nepārsniedziet maksimālo atļauto kasešu svaru. Skatiet A pielikumu.

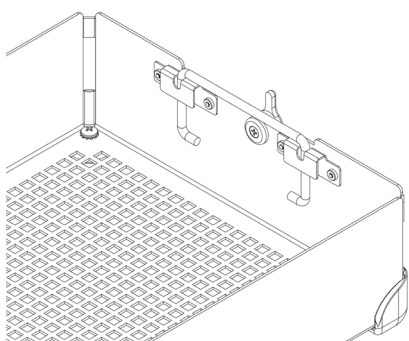
A attēls.



Piezīme. Instrumenti (piemēram, endoskopi un instrumenti ar lūmeniem vai kanāliem) jāgatavo un jāsterilizē atbilstoši instrumenta ražotāja lietošanas instrukcijām.

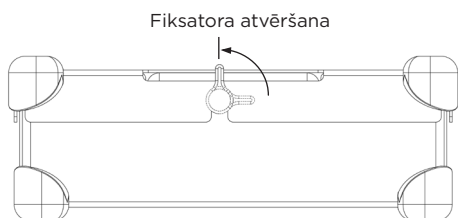
2. Uzraugiet, lai rokturi ir novietoti kasetes iekšpusē (ievilkta stāvoklī). Skatiet **B attēlu**.

B attēls.



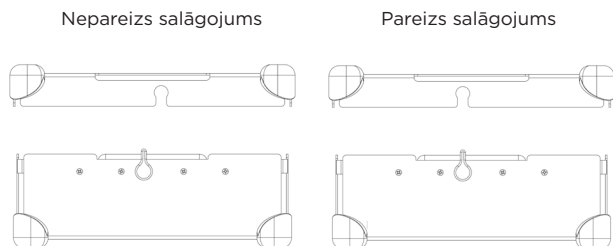
3. Novietojiet kasetes vāku uz kasetes pamatnes tā, lai fiksatori būtu pareizi salāgoti attiecībā pret fiksatora ligzdu uz kasetes vāka, un pēc tam aizveriet fiksatorus. Skatiet **C attēlu**.

C attēls.



Piezīme. Fiksatori ir novietoti tā, lai kasetes vāks vienmēr būtu pareizi salāgots attiecībā pret pamatni. Tādējādi tiek nodrošināts, ka tad, kad vāks ir noslēgts, turētāji ir salāgoti. Pareizu salāgojumu skatīt **D attēlā**. **NESPIEDIET kasetes vāku uz kasetes pamatnes, citādi instrumentiem un kasetei var tikt radīti bojājumi.**

D attēls.



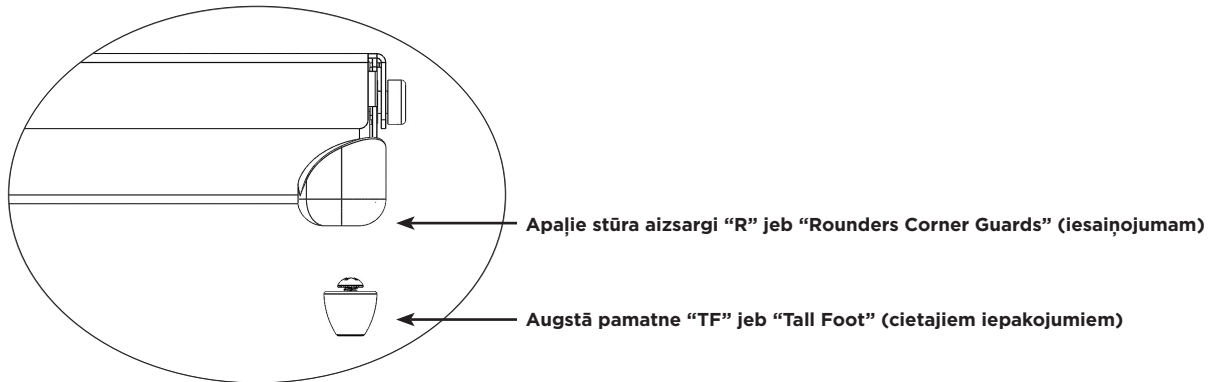
IĒPAKOJUMS

InstruSafe sistēmām var izmantot tirdzniecībā pieejamo iesaiņojuma materiālu, vai arī tās drīkst ievietot oficiāli tirdzniecībā pieejamā tvertnē. Skatiet lietošanas instrukcijā pieejamos lietošanas indikāciju paziņojumus.

Izmantošana kopā ar iesaiņojuma materiālu

1. Pirms kasetes iesaiņošanas pārlicinieties, vai tiks izmantots atbilstošs iesaiņojuma materiāls. Iesaiņojuma materiālu izmanto vietās, kas atzīmētas ar "R". Skatiet **F attēlu**.

F attēls.



2. Iesaiņojiet kaseti, izmantojot oficiāli tirdzniecībā pieejamo iesaiņojuma materiālu saskaņā ar iesaiņojuma materiāla ražotāja norādījumiem.
3. Sterilizējiet iesaiņojumu, izmantojot vienu no lietošanas instrukcijā minētajiem sterilizācijas cikliem.

Izmantošana ar cieto iepakojumu

Skatiet lietošanas instrukcijā pieejamos lietošanas indikāciju paziņojumus.

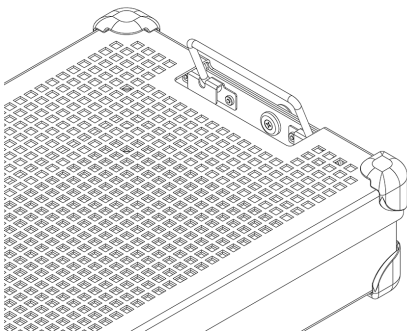
1. Pirms kasetes ievietošanas cietajā iepakojumā pārlicinieties, vai tiks izmantota atbilstoša pamatne. "TF" jāizmanto ar cieto iepakojumu. Skatiet **F attēlu**.
2. Ievietojiet kaseti cietajā iepakojumā. Hermētiski noslēdziet tvertni saskaņā ar ražotāja norādījumiem.
Piezīme. Neiesaiņojiet kasetes pirms ievietošanas konteinerā sterilizācijai.
3. Sterilizējiet tvertni un tās saturu, izmantojot vienu no lietošanas instrukcijā minētajiem sterilizācijas cikliem.

Papildinformācija

Lai aseptiski izņemtu kaseti no cietā iepakojuma, ievērojiet tvertnes ražotāja lietošanas instrukciju.

1. Uzvelciet cimdus, pavērsiet plaukstas uz āru un satveriet kasetes vāka atveres.
2. Satveriet kasetes rokturus un paceliet uz augšu. Skatiet **G attēlu**.

G attēls.



3. Sasveriet rokturus uz iekšu, virzienā prom no cietā iepakojuma malām, un pēc tam izņemiet kaseti no tvertnes, uzmanoties, lai nepieskartos tvertnes augšpusei vai ārpusei.
4. Novietojiet kaseti uz sterilas virsmas.

STERILIZĀCIJA

Informāciju par InstruSafe sistēmām apstiprinātajiem sterilizācijas parametriem skatiet **2. tabulā**.

2. tabula.

STERILIZĀCIJAS METODE	CIKLS (ilgums)
Sākotnējā sterilizācija ar vakuumu un tvaiku	Parametri Temperatūra 270 °F (132 °C) Ekspozīcijas ilgums 4 minūtes Žāvēšanas ilgums 30 minūtes
ar etilēnoksīdu (EO);	Iepriekšēja sagatavošana Temperatūra 131 °F (55 °C) Relatīvais mitrums 70 ± 15 % Iepriekšējās sagatavošanas ilgums 1 stunda Sterilizācija Ekspozīcijas ilgums 120 minūtes Temperatūra 131 °F (55 °C) Aerācijas ilgums 12 stundas
STERRAD 100S	<i>Standard</i>
STERRAD 100NX	<i>Standard, Express, Flex</i>
STERRAD NX	<i>Standard</i>
STERIS AMSCO V-PRO 1	<i>Standard</i>
STERIS AMSCO V-PRO 1 PLUS	<i>Ar lūmenu, bez lūmena</i>
STERIS AMSCO V-PRO maX	<i>Ar lūmenu, bez lūmena</i>
STERIS AMSCO V-PRO maX 2	<i>Ar lūmenu, bez lūmena</i>
Sterizone VP4	<i>1. cikls</i>

Summit Medical apstiprinātās sterilizācijas metodes

- 4 minūšu sterilizācijas cikls autoklāvā, izmantojot tirdzniecībā pieejamo iesaiņojuma materiālu, InstruSafe sterilizācijas tvertni, Aesculap vai Genesis cieta tvertni, ko apstiprinājusi Pārtikas un zāļu pārvalde (Food and Drug Administration — FDA). Saskaņā ar K180528 InstruSafe sterilizācijas tvertne tika apstiprināta lietošana ar InstruSafe instrumentu aizsardzības sistēmas kasetēm/paplātēm.
- Sterilizācijas cikls ar etilēnoksīdu (EO), izmantojot tirdzniecībā pieejamo iesaiņojuma materiālu vai Genesis sterilo tvertni, ko apstiprinājusi FDA.
- STERRAD 100S Standard sterilizācijas cikls, izmantojot tirdzniecībā pieejamo iesaiņojuma materiālu vai Aesculap cieta tvertni, ko apstiprinājusi FDA.
- STERRAD 100NX Standard sterilizācijas cikls, izmantojot tirdzniecībā pieejamo iesaiņojuma materiālu vai Aesculap cieta tvertni, ko apstiprinājusi FDA.
- STERRAD 100NX Express sterilizācijas cikls, izmantojot tirdzniecībā pieejamo iesaiņojuma materiālu, ko apstiprinājusi FDA.
- STERRAD 100NX Flex sterilizācijas cikls, izmantojot tirdzniecībā pieejamo iesaiņojuma materiālu vai Aesculap cieta tvertni, ko apstiprinājusi FDA.
- STERRAD NX Standard sterilizācijas cikls, izmantojot tirdzniecībā pieejamo iesaiņojuma materiālu un Aesculap cieta tvertni, ko apstiprinājusi FDA.
- STERIS AMSCO V-PRO 1, V-PRO 1 PLUS, V-PRO maX un V-PRO maX 2 sterilizācijas cikli, izmantojot tirdzniecībā pieejamo iesaiņojuma materiālu un Aesculap cieta tvertni, ko apstiprinājusi FDA.
- Sterizone VP4 sterilizācijas cikls, izmantojot tirdzniecībā pieejamo iesaiņojuma materiālu un Aesculap cieta tvertni, ko apstiprinājusi FDA.

NEPĀRSLOGOJIET sterilo tvertni (ievērojiet ražotāja norādījumus).

Lai uzturētu sterilitāti, izmantojiet FDA apstiprinātus piederumus.

Lai pārlicinātos, vai paredzētās slodzes ir piemērotas paredzētajam sterilizācijas ciklam, skatiet sterilizatora lietošanas rokasgrāmatā sniegto informāciju.

Lai pārlicinātos, vai paredzētā slodze atbilst slodzēm, ko FDA ir apstiprinājusi tvertnei, skatiet tvertnes lietošanas instrukcijā sniegto informāciju.

LIETOŠANAS INDIKĀCIJAS

4 minūšu ilga apstrāde ar tvaiku, izmantojot iesaiņojuma materiālu un Aesculap® cieto iepakojumu

InstruSafe® instrumentu aizsardzības sistēmas kasetes paredzēts izmantot, lai kārtotu un aizsargātu citas medicīnas ierīces, kuru sterilizāciju ir veicis veselības aprūpes pakalpojumu sniedzējs. InstruSafe instrumentu aizsardzības sistēmas kasetes ir piemērotas iepakotu medicīnas ierīču sterilizācijas procedūrai sākotnējā sterilizācijas ar vakuumu un tvaiku cikla laikā. InstruSafe instrumentu aizsardzības sistēmas kasetes paredzēts izmantot kopā ar oficiāli tirdzniecībā pieejamiem iesaiņojuma materiāliem un Aesculap cieto tvertni. InstruSafe instrumentu aizsardzības sistēmas kasetes nav paredzēts izmantot kā vienīgo sterilitātes uzturēšanas līdzekli.

Autoklāva sterilizācijas parametri	
Cikls	Sākotnējā sterilizācija ar vakuumu
Temperatūra	270 °F (132 °C)
Ekspozīcijas ilgums	4 minūtes
Minimālais žāvēšanas ilgums	30 minūtes
Summit kasetes modelis	Aesculap tvertnes modelis
IN-8823-AE	*JN444
IN-2880	*JK444
IN-6105	*JN742
*Uzņēmums Summit Medical apstiprinājis lietošanai TIKAI sākotnējās sterilizācijas iekārtās, kas izmanto vakuumu un tvaiku, 270 °F (132 °C) un ar 4 minūšu ekspozīcijas ilgumu. Lai pārlicinātos, vai saturs nepārsniedz sterilizācijas tvertnei atļauto maksimālo slodzi, skatiet tvertnes lietošanas instrukciju.	

Prasības lūmena 4 minūšu ilgai sākotnējai sterilizācijai ar vakuumu un tvaiku			
Summit kasetes modelis	Minimālais iekšējais diametrs	Maksimālais garums	Lūmenu skaits
IN-8823-CF	3 mm	400mm	4
IN-8823-CF	3 mm	200mm	2
IN-2880	1 mm	76 mm	2
IN-2880	3 mm	177 mm	1
IN-6105	5 mm	241 mm	1
IN-2681	1 mm	65 mm	1
IN-2681	3 mm	200 mm	1
IN-7823	1 mm	400 mm	17

4 minūšu ilga apstrāde ar tvaiku, izmantojot Genesis™ cieto iepakojumu

InstruSafe® instrumentu aizsardzības sistēmas kasetes paredzēts izmantot, lai kārtotu un aizsargātu citas medicīnas ierīces, kuru sterilizāciju ir veicis veselības aprūpes pakalpojumu sniedzējs. InstruSafe instrumentu aizsardzības sistēmas kasetes ir piemērotas iepakotu medicīnas ierīču sterilizācijas procedūrai sākotnējā sterilizācijas ar vakuumu un tvaiku cikla laikā. InstruSafe instrumentu aizsardzības sistēmas kasetes paredzēts izmantot kopā ar oficiāli tirdzniecībā pieejamo Genesis cieto iepakojumu. InstruSafe instrumentu aizsardzības sistēmas kasetes nav paredzēts izmantot kā vienīgo sterilitātes uzturēšanas līdzekli. Pilns ierīces modeļu saraksts ir sniegts A pielikumā.

Prasības lūmena 4 minūšu ilgai sākotnējai sterilizācijai ar vakuumu un tvaiku			
Summit kasetes modelis	Minimālais iekšējais diametrs	Maksimālais garums	Lūmenu skaits
IN-2681	1 mm	65 mm	1
IN-2681	3 mm	200 mm	1
IN-6105	5 mm	241 mm	1
IN-0000	1 mm	400 mm	5
	3 mm	400 mm	1
	5 mm	400 mm	1

LIETOŠANAS INDIKĀCIJAS (turpinājums)

8 minūšu ilga apstrāde ar tvaiku un etilēnoksīdu (EO), izmantojot iesaiņojuma materiālu un Genesis™ cieto iepakojumu

InstruSafe® instrumentu aizsardzības sistēmas kasetes paredzēts izmantot, lai kārtotu un aizsargātu citas medicīniskas ierīces, kuru sterilizāciju ir veicis veselības aprūpes pakalpojumu sniedzējs. InstruSafe sistēmas kasetes ir piemērotas iepakotu medicīnas ierīču sterilizācijas procedūrai sākotnējā sterilizācijas ar vakuumu un tvaiku vai arī ar etilēnoksīdu cikla laikā. InstruSafe sistēmas kasetes ir piemērotas lietošanai kopā ar oficiāli tirdzniecībā pieejamiem iesaiņojuma materiāliem vai Genesis cieto iepakojumu. InstruSafe sistēmas kasetes nav paredzēts izmantot kā vienīgo sterilitātes uzturēšanas līdzekli.

Sterilizācijas metodes un konfigurācijas

8 minūšu iepriekšēja apstrāde ar tvaiku 132 °C temperatūrā	
140 izmēra auduma iesaiņojuma materiāls	10 minūšu žāvēšanas ilgums
Cits iesaiņojuma materiāls (Kimberly Clark)	50 minūšu žāvēšanas ilgums
Genesis tvertne (informāciju par izmantojamo filtra papīru skatīt 1. tabulā)	30 minūšu žāvēšanas ilgums

ar etilēnoksīdu (EO);
<ul style="list-style-type: none"> ▪ 1 stundu iepriekšēja apstrāde 131 °F (55 °C) temperatūrā; relatīvais mitrums 70 ± 15 % ▪ 2 stundu ekspozīcija 131 °F (55 °C) temperatūrā ▪ 12 stundu aerācija

Genesis tvertne	Genesis tvertnes filtra papīrs
CD2-4B	FX3-1: 9x9"
CD2-5B	FX3-1: 9x9"
CD3-4B	FX3-1: 9x9"
CD3-5B	FX3-1: 9x9"
CD3-6B	FX3-1: 9x9"
CD3-7B	FX3-1: 9x9"
CD4-5B	FO3-2: 9x6"
CD5-61B	FO3-2: 9x6"
CD6-6B	FX3-1: 9x9"

Lietojot jebkuru cieta Genesis iepakojumu, skatiet V. Muellera Genesis sterilizācijas tvertnes sistēmas lietošanas instrukcijas.

STERRAD® 100S un STERRAD® 100NX® Standard cikli, izmantojot iesaiņojuma materiālu un Aesculap® cieto iepakojumu

InstruSafe® instrumentu aizsardzības sistēmas kasetes paredzēts izmantot, lai kārtotu un aizsargātu citas medicīnas ierīces, kuru sterilizāciju ir veicis veselības aprūpes pakalpojumu sniedzējs. InstruSafe instrumentu aizsardzības sistēmas kasetes ir piemērotas iepakotu medicīnas ierīču sterilizācijas procedūrai Sterrad 100S Standard sterilizācijas cikla un Sterrad 100NX Standard sterilizācijas cikla laikā. InstruSafe instrumentu aizsardzības sistēmas kasetes paredzēts izmantot kopā ar oficiāli tirdzniecībā pieejamiem iesaiņojuma materiāliem un Aesculap cieta tvertni. InstruSafe instrumentu aizsardzības sistēmas kasetes nav paredzēts izmantot kā vienīgo sterilitātes uzturēšanas līdzekli. Pilns ierīces modeļu saraksts ir sniegts A pielikumā.

Atbilstošajam cietajam iepakojumam ir apstiprināta tālāk norādīto sterilizācijas aplāšu izmantošana.

STERRAD 100S Standard cikls	
Summit kasetes modelis	Aesculap tvertnes modelis
IN-8823-AE	*JM444
IN-6105	*JM440

STERRAD 100NX Standard cikls	
Summit kasetes modelis	Aesculap tvertnes modelis
IN-8823-AE	*JM444
IN-6105	*JM440

*Uzņēmums Summit Medical apstiprinājis izmantošanai TIKAI STERRAD 100S Standard ciklā un STERRAD 100NX Standard ciklā. Lai pārliecinātos, vai saturs nepārsniedz sterilizācijas tvertnei atļauto maksimālo slodzi, skatiet tvertnes lietošanas instrukciju.

Prasības attiecībā uz lūmenu STERRAD 100S Standard cikla un STERRAD 100NX Standard cikla laikā	
4 nerūsoša tērauda lūmeni ar 3 mm iekšējo diametru un 400 mm garumu	Visi atbilstošā izmēra modeļi ir uzskaitīti A pielikumā, izņemot IN-2681.
2 nerūsoša tērauda lūmeni ar 3 mm iekšējo diametru un 200 mm garumu	
1 nerūsoša tērauda lūmens ar 3 mm iekšējo diametru un 200 mm garumu	IN-2681
1 nerūsoša tērauda lūmens ar 1mm iekšējo diametru un 65 mm garumu	

LIETOŠANAS INDIKĀCIJAS (turpinājums)

STERRAD® NX® Standard cikls, izmantojot iesaiņojuma materiālu un Aesculap® cieto iepakojumu

InstruSafe® instrumentu aizsardzības sistēmas kasetes paredzēts izmantot, lai kārtotu un aizsargātu citas medicīnas ierīces, kuru sterilizāciju ir veicis veselības aprūpes pakalpojumu sniedzējs. InstruSafe instrumentu aizsardzības sistēmas kasetes ir piemērotas iepakotu medicīnas ierīču sterilizācijas procedūrai Sterrad NX Standard sterilizācijas cikla laikā. InstruSafe instrumentu aizsardzības sistēmas kasetes paredzēts izmantot kopā ar oficiāli tirdzniecībā pieejamiem iesaiņojuma materiāliem un Aesculap cieto tvertni. InstruSafe instrumentu aizsardzības sistēmas kasetes nav paredzēts izmantot kā vienīgo sterilitātes uzturēšanas līdzekli. Pilns ierīces modeļu saraksts ir sniegts A pielikumā.

Sterilizācijas metodes un konfigurācijas
– Sterrad NX Standard sterilizācijas cikls

Prasības attiecībā uz lūmenu STERRAD NX standarta sterilizācijas cikla laikā			
Summit kasetes modelis	Minimālais iekšējais diametrs	Maksimālais garums	Lūmenu skaits
IN-2681	1 mm	65 mm	1
IN-2681	3 mm	200 mm	1
IN-8987-S	1 mm	500 mm	5
IN-8615	2,3 mm	210 mm	5
IN-6105	4 mm	235 mm	1

Piezīme. Vissliktākajā gadījumā apstiprinātā slodze, pamatojoties uz ventilācijas un tilpuma aprēķiniem, ir IN-2681 paplāte.

STERRAD® 100NX® Express cikls, izmantojot iesaiņojuma materiālu

InstruSafe® instrumentu aizsardzības sistēmas kasetes paredzēts izmantot, lai kārtotu un aizsargātu citas medicīnas ierīces, kuru sterilizāciju ir veicis veselības aprūpes pakalpojumu sniedzējs. InstruSafe instrumentu aizsardzības sistēmas kasetes ir piemērotas iepakotu medicīnas ierīču sterilizācijas procedūrai Sterrad® 100NX Express cikla laikā. InstruSafe instrumentu aizsardzības sistēmas kasetes paredzēts izmantot kopā ar oficiāli tirdzniecībā pieejamiem iesaiņojuma materiāliem. InstruSafe instrumentu aizsardzības sistēmas kasetes nav paredzēts izmantot kā vienīgo sterilitātes uzturēšanas līdzekli. Nav noteiktas nekādas prasības attiecībā uz lūmena lietošanu InstruSafe instrumentu aizsardzības sistēmas Sterrad 100NX Express cikla laikā.

STERRAD® 100NX® Flex sterilizācijas cikls, izmantojot iesaiņojuma materiālu un Aesculap® cieto iepakojumu

InstruSafe® instrumentu aizsardzības sistēmas kasetes paredzēts izmantot, lai kārtotu un aizsargātu citas medicīnas ierīces, kuru sterilizāciju ir veicis veselības aprūpes pakalpojumu sniedzējs. InstruSafe instrumentu aizsardzības sistēmas kasetes ir piemērotas iepakotu medicīnas ierīču sterilizācijas procedūrai Sterrad 100NX Flex sterilizācijas cikla laikā. InstruSafe instrumentu aizsardzības sistēmas kasetes paredzēts izmantot kopā ar oficiāli tirdzniecībā pieejamiem iesaiņojuma materiāliem un Aesculap cieto tvertni. InstruSafe instrumentu aizsardzības sistēmas kasetes nav paredzēts izmantot kā vienīgo sterilitātes uzturēšanas līdzekli. Pilns ierīces modeļu saraksts ir sniegts A pielikumā.

STERRAD 100NX Flex sterilizācijas cikls	
Summit kasetes modelis	Aesculap tvertnes modelis
IN-0000	*JM440
IN-6105	*JM440

**Uzņēmums Summit Medical apstiprinājis izmantošanai TIKAI STERRAD 100NX Flex sterilizācijas ciklā. Lai pārliecinātos, vai saturs nepārsniedz sterilizācijas tvertnei atļauto maksimālo slodzi, skatiet tvertnes lietošanas instrukciju.*

Prasības attiecībā uz lūmenu STERRAD 100NX Flex sterilizācijas cikla laikā				
Summit kasetes modelis	Minimālais iekšējais diametrs	Maksimālais garums	Lūmenu skaits	Iesaiņojuma materiāls/ cietais iepakojums Tvertne
IN-0000	1 mm	850 mm	1	Iesaiņojuma materiāls + cietais iepakojums
IN-8823	1 mm	850 mm	1	Iesaiņojuma materiāls + cietais iepakojums
IN-7344	1 mm	850 mm	1	Iesaiņojuma materiāls
IN-6105	4 mm	235 mm	1	Iesaiņojuma materiāls + cietais iepakojums

Vissliktākajā gadījumā apstiprinātā slodze, pamatojoties uz ventilācijas un tilpuma aprēķiniem, ir IN-0000 paplāte.

Piezīme. IN-0000 paplāti paredzēts lietot tikai pārbaudēm.

LIETOŠANAS INDIKĀCIJAS (turpinājums)

AMSCO® V-PRO® sterilizācijas zemā temperatūrā cikli, izmantojot iesaiņojuma materiālu un Aesculap® cieto tvertni

InstruSafe® instrumentu aizsardzības sistēmas kasetes paredzēts izmantot, lai kārtotu un aizsargātu citas medicīniskas ierīces, kuru sterilizāciju ir veicis veselības aprūpes pakalpojumu sniedzējs. InstruSafe instrumentu aizsardzības sistēmas kasetes ir piemērotas iepakotu medicīnas ierīču sterilizācijas procedūrai Amsco V-PRO sterilizācijas zemā temperatūrā ciklu laikā. InstruSafe instrumentu aizsardzības sistēmas kasetes paredzēts izmantot kopā ar oficiāli tirdzniecībā pieejamiem iesaiņojuma materiāliem un Aesculap cieto tvertni. InstruSafe instrumentu aizsardzības sistēmas kasetes nav paredzēts izmantot kā vienīgo sterilitātes uzturēšanas līdzekli. Pilns ierīces modeļu saraksts ir sniegts A pielikumā.

AMSCO V-PRO sterilizācijas zemā temperatūrā sistēmas			
Sterilizators	Standarta cikls	Cikls ar lūmenu	Cikls bez lūmena
V-PRO 1	X	Neattiecas	Neattiecas
V-PRO 1 PLUS	Neattiecas	X	X
V-PRO maX	Neattiecas	X	X
V-PRO maX 2	Neattiecas	X	X
Summit kasetes modelis		Aesculap tvertnes modelis	
IN-8823		*JM444	
IN-6105		*JM742	
<p><i>*Uzņēmums Summit Medical apstiprinājis izmantošanai TIKAI AMSCO V-PRO sterilizācijas zemā temperatūrā sistēmās. Ja Aesculap tvertne tiek izmantota kā sterilā barjera, slodze (Summit tvertne un tās saturs) nedrīkst pārsniegt tvertnei atļauto maksimālo svaru vai slodzes veidu.</i></p>			

Apstiprinātie instrumentārija lūmena izmēri			
Summit kasetes modelis	Minimālais iekšējais diametrs	Maksimālais garums	Lūmenu skaits
IN-8823	3 mm	400 mm	2
IN-6105	3 mm	200 mm	1
IN-2681	1 mm	64 mm	1
<p>Piezīme. Vissliktākajā gadījumā apstiprinātā slodze, pamatojoties uz ventilācijas un tilpuma aprēķiniem, ir IN-2681 paplāte.</p>			

LIETOŠANAS INDIKĀCIJAS (turpinājums)

VP4 Sterizone, iesaiņojuma materiāls un Aesculap™ cietais iepakojums

InstruSafe® instrumentu aizsardzības sistēmas kasetes (paplātes) paredzēts izmantot, lai kārtotu un aizsargātu citas medicīnas ierīces, kuru sterilizāciju ir veicis veselības aprūpes sniedzējs. InstruSafe instrumentu aizsardzības sistēmas kasetes ir piemērotas iepakotu medicīnas ierīču sterilizācijas procedūrai STERIZONE VP4 sterilizācijas 1. cikla laikā. InstruSafe instrumentu aizsardzības sistēmas kasetes paredzēts izmantot kopā ar oficiāli tirdzniecībā pieejamiem iesaiņojuma materiāliem un Aesculap cieto tvertni. InstruSafe instrumentu aizsardzības sistēmas kasetes nav paredzēts izmantot kā vienīgo sterilitātes uzturēšanas līdzekli.

Summit Medical ir apstiprinājis InstruSafe instrumentu aizsardzības sistēmas kasešu izmantošanu STERIZONE VP4 sterilizatora 1. cikla laikā, uzrādot sterilizācijas efektivitāti ar medicīnas ierīču paraugiem, iekļaujot universālus instrumentus, nelokāmus un daļēji lokāmus instrumentus ar lūmeņiem un elastīgus endoskopus. Validācijā sniegtā informācija, kas ir izmantota, lai izveidotu dizaina ierobežojumus, kas ir tiek piemēroti InstruSafe instrumentu aizsardzības sistēmas kasešu klāstam, lai garantētu, ka visi modeļi atbilst apstiprinātajiem ierobežojumiem kasešu ventilācijai, iekšējam plauktu izvietojumam un svaram.

- Minimālā ventilācijas un tilpuma attiecība, universālie instrumenti: 0,073
- Minimālā ventilācijas un tilpuma attiecība, elastīgie endoskopi: 0,263
- Maksimālais iekšējo plauktu skaits: divi (2)
- Maksimālais kasešu svars (tai skaitā to saturs): 25 mārciņas/kasete

Tabulā tālāk skatiet apstiprinātās slodzes, izmantojot InstruSafe instrumentu aizsardzības sistēmas kasetes. Skatiet sterilizācijas ražotāja lietošanas instrukciju, lai garantētu, ka slodzes nepārsniedz norādītos sterilizatora ierobežojumus.

InstruSafe instrumentu aizsardzības sistēmu slodžu apraksts.

STERIZONE® VP4 sterilizatora validācijas slodzes nr. (K190260)	Summit Medical validācijas slodzes apraksts	Slodzes kopējais svars (izņemot 25 mārciņas smago plauktu)
4	<p>Slodze 4a: sastāv no slodze ierobežojuma nelokāmiem un daļēji lokāmiem kanālu instrumentiem.</p> <ul style="list-style-type: none"> • Trīs (3) divu kanālu daļēji lokāmie endoskopi (ureteroskops – 0,7 mm × 500 mm un 1,1 mm × 500 mm) tika iepakoti, viens (1) kasetē, trīs (3) IN 7323-R kasetēs. • Papildu nelokāmie kanālu instrumenti tika pievienoti, lai sasniegtu kopumā 15 kanālus. <p>Katra kasete iekļāva atbilstošus silikona instrumentu turētājus un tika ietīta.</p> <p>Slodze 4b: sastāv no slodzes ierobežojuma nelokāmiem un daļēji lokāmiem kanālu instrumentiem.</p> <ul style="list-style-type: none"> • Trīs (3) divu kanālu daļēji lokāmie endoskopi (ureteroskops – 0,7 mm × 400 mm un 1,1 mm × 400 mm) tika iepakoti, viens (1) kasetē, trīs (3) IN-0007-TF kasetēs. • Papildu nelokāmie kanālu instrumenti tika pievienoti, lai sasniegtu kopumā 15 kanālus. <p>Katra kasete ietvēra atbilstošus silikona instrumentu turētājus un tika ievietota Aesculap JM440 nelokāmā tvertnē.</p>	<p>Slodze 4a = 5 mārciņas/ kasete, 15 mārciņas kopā</p> <p>Slodze 4b = 11 mārciņas/ kasete, 33 mārciņas kopā</p>
7	<p>Summit Medical validācijas slodze 7a: sastāvēja no slodzes svara ierobežojuma universāliem medicīniskiem instrumentiem, kas sastāv no tālāk norādītajām ģeometrijām.</p> <ul style="list-style-type: none"> • Kārbveida slēdzeneņģe • Grozāmā eņģe • Luera tipa fiksators <p>Universālie medicīniskie instrumenti tika izdalīti pa trīs (3) IN-7323-R kasetēm ar atbilstošajiem silikona turētājiem ar svaru 25 mārciņas. Kasetes tika ietītas.</p> <p>Summit Medical validācijas slodze 7b: sastāvēja no slodzes svara ierobežojuma universāliem medicīniskiem instrumentiem, kas sastāv no tālāk norādītajām ģeometrijām.</p> <ul style="list-style-type: none"> • Kārbveida slēdzeneņģe • Grozāmā eņģe • Luera tipa fiksators <p>Universālie medicīniskie instrumenti tika izdalīti pa trīs (3) IN-0006-TF kasetēm ar atbilstošajiem silikona turētājiem. Kasetes tika ievietotas Aesculap JM440 tvertnēs, katra no tām sver 25 mārciņas.</p>	<p>Slodze 7a = 25 mārciņas/ kasete 75 mārciņas kopā</p> <p>Slodze 7b = 25 mārciņas/ kasete 75 mārciņas kopā</p>
8	<p>Summit Medical validācijas slodze 8a: sastāv no kopumā pieciem (5) elastīga endoskopa kanāliem iesaiņotās kasetēs:</p> <ul style="list-style-type: none"> • Divi (2) divu kanālu elastīgie endoskopi (ureteroskopi – 1 mm × 850 mm un 1 mm × 989 mm) tika iepakoti, viens (1) kasetē, IN-0003-R kasetēs. • Viens (1) viena kanāla elastīgs endoskops (ureteroskops – 1 mm × 850 mm) tika iepakots IN-0004-R kasetē. <p>Kasetes iekļāva atbilstošus silikona turētājus un tika ietītas.</p> <p>Summit Medical validācijas slodze 8b: sastāv no kopumā četri (4) elastīga endoskopa kanālu slodzes ierobežojuma kasetēs, kas iepakotas nelokāmās tvertnēs:</p> <ul style="list-style-type: none"> • Divi (2) divu kanālu elastīgie endoskopi (ureteroskops – 1 mm × 850 mm un 1 mm × 989 mm) tika iepakoti, viens (1) kasetē, IN-0003-TF kasetēs ar atbilstošajiem silikona turētājiem. <p>Katra kasete tika ievietota Aesculap JM442 tvertnē.</p>	<p>Slodze 8a = 4,3 mārciņas/ kasete, 13 mārciņas kopā</p> <p>Slodze 8b = 8,3 mārciņas/ kasete, 25 mārciņas kopā</p>

UZGLABĀŠANA

Pilnībā sterilas kasetes jāuzglabā iesaiņotas vai tvertnē ievietotas uz glabāšanas plaukta horizontālā stāvoklī. Lai iegūtu informāciju par uzglabāšanas ilgumu, sazinieties ar iesaiņojuma materiāla vai tvertnes ražotāju.

LIKVIDĒŠANA

Ja InstruSafe® instrumentu aizsardzības sistēmas neiztur pārbaudi pirms lietošanas vai ja tās citādi nav piemērotas lietošanai, šādas ierīces ir jālikvidē saskaņā ar iestādes protokolu. Likvidēšanas metode ir atkarīga no iespējamā tālāka piesārņojuma izplatības un infekcijas riska, kad tiek konstatēta nepieciešamība likvidēt attiecīgo ierīci.

ZIŅOŠANA PAR NOPIETNU NEGADĪJUMU

Par visiem nopietniem negadījumiem, kas notikuši saistībā ar ierīci, ir jāziņo ražotājam un FDA/kompetentajai iestādei tajā dalībvalstī, kurā lietotājs un/vai pacients ir reģistrēts.

GARANTIJA

SUMMIT MEDICAL INSTRUSAFE INSTRUMENTU AIZSARDZĪBAS SISTĒMAS IEROBEŽOTĀ GARANTIJA.

ŠĪ IEROBEŽOTĀ GARANTIJA UN TAJĀ NORĀDĪTIE AIZSARDZĪBAS LĪDZEKLI IR NEATCEĻAMI UN AIZSTĀJ VISAS CITAS TIEŠAS GARANTIJAS, UN, JA VIEN ŠAJĀ DOKUMENTĀ NAV NORĀDĪTS CITĀDI, JEBKĀDS CITS PAZIŅOJUMS VAI APGALVOJUMS, KO IZTEIKUSI CITA PERSONA VAI UZŅĒMUMS, NAV SPĒKĀ. JEBKĀDAS NETIEŠAS GARANTIJAS ATTIECĪBĀ UZ PĀRDOŠANAI PIEMĒROTU KVALITĀTI VAI PIEMĒROTĪBU KONKRĒTAM NOLŪKAM TERMIŅŠ TIKS IEROBEŽOTS LĪDZ IEROBEŽOTĀS TIEŠĀS GARANTIJAS TERMIŅAM. NE UZŅĒMUMS SUMMIT MEDICAL, NE TĀ FILIĀLES NEUZŅEMAS ATBILDĪBU PAR JEBKĀDIEM NEJAUŠIEM, IZRIETOŠIEM VAI TĪŠIEM ZAUDĒJUMIEM VAI BOJĀJUMIEM, KAS RADUŠIES INSTRUSAFE SISTĒMAS LIETOŠANAS DĒĻ, VAI TĀDĒĻ, KA TO NEBIJA IESPĒJAMS LIETOT, NEATKARĪGI NO TĀ, VAI IEMESLS IR VAI NAV SAITĪTS AR GARANTIJAS NOTEIKUMU PĀRKĀPUMU VAI JEBKĀDU CITU JURIDISKU NOSACĪJUMU.

Ar šo ierobežoto garantiju jums tiek piešķirtas īpašas juridiskas tiesības, un atkarībā no savas mītnes valsts jums var būt arī citas tiesības. Dažās valstīs nav atļauts noteikt izņēmumus attiecībā uz netiešās garantijas termiņu vai nav atļauta nejausa vai izrietoša kaitējuma izslēgšana vai ierobežošana, tādēļ iepriekš minētais ierobežojums vai izņēmumi var neattiekties uz jums.

Piešķirtā garantija. Uzņēmums Summit Medical sākotnējam pircējam garantē, ka InstruSafe sistēma, uz kuru attiecas šīs ierobežotās garantijas noteikumi, atbilst ražotāja specifikācijām un tai nav ražošanas un materiālu defektu. Šī garantija ir spēkā 12 mēnešus no sākotnējā pirkuma datuma. Ja sākotnējais pircējs nodod InstruSafe sistēmu citai personai, šī ierobežotā garantija nav saistoša pusei, kurai izstrādājums tiek nodots.

Problēmu novēršana. Ja garantijas periodā jūsu InstruSafe sistēmai tiek atklāts kāds defekts, jums par to ir jāinformē uzņēmums Summit Medical, pilnvarotais izplatītājs vai tirdzniecības pārstāvis. Jums ir jāļauj uzņēmumam Summit Medical vai tā pārstāvjiem veikt nepieciešamo pārbaudi, izmeklēšanu un testus, ko uzņēmums Summit Medical uzskata par piemērotiem, un, ja tas tiek pieprasīts, jums ir jānosūta izstrādājums uz rūpnīcu, kuras adrese ir norādīta tālāk. Saskaņā ar šīs ierobežotās garantijas noteikumiem uzņēmuma Summit Medical vienīgais pienākums ir pēc saviem ieskatiem veikt bojātā izstrādājuma remontu, neprasot maksu par daļām vai darbu, vai arī nomainīt izstrādājumu. Jums ir pienākums apmaksāt pasta, apdrošināšanas vai nosūtīšanas izmaksas, kas radušās saistībā ar InstruSafe izstrādājuma nosūtīšanu, lai saņemtu garantijas pakalpojumu.

Izņēmumi attiecībā uz garantiju. Šī ierobežotā garantija ir spēkā tikai tad, ja izstrādājums tiek atbilstoši lietots un tam tiek nodrošināta atbilstoša apkope. Šī garantija nav spēkā, šādos gadījumos: izstrādājums tika neatbilstoši piegādāts; izstrādājums tika nepareizi lietots, lietots neparedzētam nolūkam, lietots nolaidīgi; izstrādājumam netika nodrošināta atbilstoša apkope; izstrādājums tika neatbilstoši glabāts; izstrādājuma apkopi veica persona, kas nav Summit Medical darbinieks, pilnvarots izplatītājs vai pārstāvis; vai izstrādājums tika pārveidots, nesāņemot skaidri izteiktu apstiprinājumu no uzņēmuma Summit Medical. Ja netiks ievēroti īpašnieka rokasgrāmatā ietvertie norādījumi, izstrādājums var tikt lietots neatbilstoši vai tam var tikt veikta neatbilstoša apkope, kā rezultātā šī ierobežotā garantija nebūs spēkā. Šī garantija neattiecas uz normālu nolietojumu vai rezerves daļām.

Ja jums rodas kādi jautājumi vai iebildumi saistībā ar šo garantiju, sazinieties ar mums:

Klientu apkalpošanas nodaļa
Summit Medical
815 Vikings Parkway, Suite 100
St. Paul, MN 55121 | USA
www.instrusafe.com

Tālrunis: 651-789-3939 | 888-229-2875
Fakss: 651-789-3979 | 888-229-1941
E-pasts: customerservice@innoviamedical.com

Ovdje sadržane upute potvrdio je proizvođač uređaja koji je sposoban obavljati preradu medicinskih instrumenata za višekratnu uporabu.

Pojedinačni sterilizatori, čistoća instrumenata, specifično opterećenje plitica za instrumente, vrste i geometrija instrumenata, spremnici za sterilizaciju, filtri i omoti razlikuju se od lokacije do lokacije.

PROČITAJTE OVO POGLAVLJE PRIJE PUŠTANJA PROIZVODA U RAD

NAMJENSKA UPORABA / SAŽETAK INDIKACIJA ZA UPORABU

Kazete/plitice sustava zaštite instrumenata InstruSafe® namijenjene su smještaju i zaštiti medicinskih proizvoda za višekratnu uporabu tijekom transporta, sterilizacije i skladištenja. Kasete/plitice sustava zaštite instrumenata InstruSafe® upotrebljavaju se za organizaciju i zaštitu drugih medicinskih uređaja koje pružatelj zdravstvene skrbi sterilizira. Kasete/plitice sustava zaštite instrumenata InstruSafe® namijenjene su za sterilizaciju zatvorenih medicinskih uređaja tijekom ovih ciklusa sterilizacije:

- Parna s predvakuumom (ISO 17665-1 i EN 285)
- Etilen oksid (ISO 11135)
- Validirana sterilizacija pri niskoj temperaturi, (ISO 14937) tj.
 - STERRAD® 100S Standard (short) ▪ STERIS® AMSCO® V-PRO 1®, V-PRO 1 Plus, V-PRO maX i V-PRO maX 2
 - STERRAD® 100NX® Express, Standard, i Flex ▪ Sterzone® VP4
 - STERRAD® NX® Standard

Kasete/plitice sustava zaštite instrumenata InstruSafe® nisu same po sebi namijenjene za održavanje sterilnosti. Kazete/plitice sustava za zaštitu instrumenata InstruSafe® namijenjene su za uporabu u kombinaciji s omotom zakonito stavljenim na tržište, čvrstim spremnicima Aesculap® ili Genesis™.

InstruSafe® spremnici za sterilizaciju validirani su za upotrebu s kasetama/pliticama sustava zaštite instrumenata InstruSafe® (predvakuum, 270 °F (132 °C), samo 4-minutni ciklus parne sterilizacije) pod 510(k) K180528. Za daljnje informacije pogledajte upute za uporabu InstruSafe® spremnika za sterilizaciju.

Potpuni popis modela uređaja nalazi se u Dodatku A, koji možete pogledati na www.instrusafe.com/ifus.

OPIS UREĐAJA

Sustavi za zaštitu instrumenata Summit Medical InstruSafe® su kasete/plitice koje se upotrebljavaju za zatvaranje i držanje kirurških instrumenata i pribora za instrumente na organizirani način tijekom procesa sterilizacije te naknadnog skladištenja i transporta. Kasete/plitice nemaju izravan kontakt s pacijentom. Kasete/plitice same po sebi ne održavaju sterilnost. Kasete/plitice različite su veličine kod iste osnovne konfiguracije: pravokutna baza s poklopcem koji se može zatvoriti. Kasete/plitice imaju perforacije koje omogućuju prodor sredstva za sterilizaciju. Kasete/plitice sadrže silikonske umetke u bazi i/ili poklopcu za držanje, organiziranje i zaštitu kirurških instrumenata unutar kasete/plitice tijekom procesa sterilizacije te kasnijeg skladištenja i transporta.

KORISNIK KOJEMU JE NAMIJENJEN

Sustavi zaštite instrumenata InstruSafe® namijenjeni su medicinskim profesionalcima za upotrebu u operacijskim dvoranama i sterilnim procesnim odjeljcima za transport, sterilizaciju i spremanje medicinskih proizvoda.

OGRANIČENJE OBRADJE

1. Kraj radnog vijeka sustava zaštite instrumenata InstruSafe® je minimalno nakon 25 ciklusa sterilizacije. Prije upotrebe pregledajte da na plitici nema znakova habanja i oštećenja uslijed uporabe. Prekinite uporabu ako su prisutni vidljivi znakovi habanja, uključujući koroziju, mehaničke kvarove, pucanje, ljuštenje, napukle zavarene spojeve, oštećeno postolje, oštećene zasune, oštećene Hold-Its®/Hold-Downs, promjena boje itd.
2. Pogledajte **tablicu 2** za metode sterilizacije i konfiguracije.
3. **NEMOJTE PREOPTEREČIVATI** InstruSafe® sustave ili komponente.
4. **NEMOJTE PREOPTEREČIVATI** pojedinačne Hold-Its® utore. U jedan Hold-its® utor umetnite samo jedan instrument.
5. Za korisnike krutih spremnika - **NEMOJTE PRESAVIJATI** InstruSafe® sustave ili komponente te ih stavljati unutar spremnika za sterilizaciju.
6. Unutar sterilizatora, sustave InstruSafe® ili komponente pojedinačno umotane ili spremljene u spremnike **NEMOJTE SLAGATI JEDNE NA DRUGE**. Međusobno odvojite sustave ili komponente InstruSafe® umotane ili spremljene u spremnike, kao i bilo koje druge predmete na zasebnim policama sterilizatora kako biste omogućili maksimalni protok sredstva za sterilizaciju.
7. Uporaba neupijajućih podstava za pliticu (npr. silikonskih podložaka za prste) može prouzročiti stvaranje kondenzata. Ako se pojavi vidljiva vlaga, ponovno sterilizirajte s duljim vremenom sušenja.
8. Ukupna masa sustava spremnika (npr. spremnik, plitica i teret instrumenta) ne smije prelaziti 25 funti (11,34 kg).
9. Instrumente (npr. endoskop i instrumente s lumenima ili kanalima) treba pripremiti i sterilizirati u skladu s uputama proizvođača uređaja.
10. Odgovornost je obrađivača da održava određene provjere valjanosti procesa terminalne sterilizacije, koji se primjenjuju na konfiguracije instrumenata i spremnika koji se prezentiraju za proces sterilizacije.
11. Za dodatna ograničenja (npr. ograničenja dimenzija ili težine) vidi upute za uporabu proizvođača sterilizatora.

UPOZORENJA

- Kod aluminijskih sustava InstruSafe upotrebljavajte samo deterdžente s neutralnim pH-om (6,0 - 8,5) kako ne biste oštetili površinski sloj. Deterdžent s visoko kiselim ili visoko alkalnim pH-om može trajno oštetiti anodiziranu aluminijsku površinu kasete i metalnih komponenti.
- Nemojte upotrebljavati ako je ambalaža oštećena ili slučajno otvorena prije upotrebe.

Napomena: Prije stavljanja u uporabu, kasete očistite i pregledajte u skladu s uputama.

UNIVERZALNE MJERE OPREZA

- Osoblje mora nositi svu osobnu zaštitnu odjeću i opremu kako to zahtijeva radni postupak poslodavca/odjela za razinu kontaminacije kojoj će biti izloženi.
- Tijekom sterilizacije, različite metale držite odvojene kako biste spriječili koroziju.

MJESTO UPORABE

Uklonite svu prljavštinu jednokratnom krpom / papirnatom maramicom. Kontaminirane komponente treba održavati vlažnima dok se ne primijene propisani postupci čišćenja.

ČIŠĆENJE

Za specifične upute za čišćenje instrumenata u kasetama proučite upute za uporabu koje izdaje proizvođač instrumenta.

Za čišćenje kasete/plitice preporučuje se upotreba jedne od sljedećih potvrđenih opcija čišćenja.

Upotrebljavajte samo otopine s neutralnim pH-om (6,0 - 8,5), bez natrijevog karbonata, kako bi se izbjeglo oštećivanje površine aluminijskih kasete.

NE upotrebljavajte sredstva za odmaščivanje ni abrazivna sredstva. **NE** pohranjujte kasete u tekućinu.

1. Ručna bruto dekontaminacija

- A. Potreban materijal: Enzimatski deterdžent s neutralnim pH-om (6,0 - 8,5) četka s mekim čekinjama i tekuća voda.
- B. Mekom četkom uklonite svu vidljivu nečistoću i prljavštinu. Tijekom čišćenja treba uroniti cijelu kasetu na minimalno 2 minute kako bi se olakšalo uklanjanje onečišćenja i smanjilo prskanje deterdženta po osoblju.
- C. Temeljito isperite najmanje 1 minutu čistom vodom kako biste uklonili sav deterdžent. Pogledajte upute za ispiranje na naljepnici deterdženta.

2. Ultrazvučno čišćenje:

- A. Pripremite enzimsko pranje u jedinici za ultrazvučno čišćenje.
- B. Stavite jednu kasetu u deterdžent i pokrenite najmanje na deset minuta.
- C. Isperite minimalno 2 minute hladnom vodom iz slavine.
- D. Vizualno pregledajte da nema onečišćenja na kaseti. Po potrebi ponovite postupak kako biste uklonili vidljiva onečišćenja.

3. Automatski perač:

Sustavi za zaštitu instrumenata InstruSafe potvrđeni su za ciklus automatskog sustava pranja naveden u **tablici 1**. Obradivač će morati provesti kvalifikaciju specifičnih parametara.

Tablica 1

CIKLUS	TEMPERATURA VODE	POSTUPAK ČIŠĆENJA
Pretpranje 1 i 2	Hladna voda iz slavine	Vrijeme recirkulacije: 2 minuta
Enzimsko pranje	Vruća voda iz slavine	Vrijeme namakanja: 4 minuta
Pranje 1	Grijano na 150 °F (65,5 °C)	Vrijeme recirkulacije: 15 minuta
Ispiranje 1 i 2	Vruća voda iz slavine	Vrijeme recirkulacije: 5 minuta

Napomena: Nakon završetka ciklusa automatskog pranja, vizualno pregledajte da na InstruSafe sustavu (kasete i pribor) nema vidljive prljavštine. Sva vidljiva prljavština mora se ukloniti ručnim čišćenjem, četkanjem, ultrazvukom ili dodatnim automatskim ciklusima prije slanja na sterilizaciju.

DEZINFEKCIJA

Sustavi InstruSafe namijenjeni su za terminalnu sterilizaciju.

ODRŽAVANJE, PREGLED I TESTIRANJE

Sustavi InstruSafe mogu se ponovno upotrebljavati sve dok se ne dogodi neprihvatljivo propadanje poput korozije, pucanja, hrđe, ljuštenja, promjene boje ili mehaničkog kvara.

Znakovi mehaničke neispravnosti su:

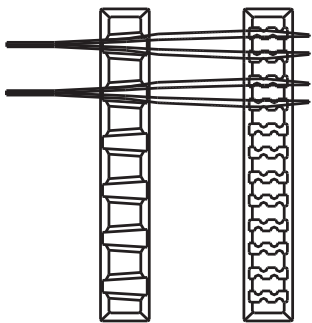
- Polomljeni ili ispucani kutovi ili zavareni spojevi
- Polomljeni zasuni koji ne rade
- Nedostajući, rastrgani ili izrezani silikonski umeci
- Nedostajuće ili oštećene stope

SASTAVLJANJE

1. Postavite instrumente u unaprijed određene držače ili na područje definirano položajima kako bi sve površine instrumenata bile izložene sredstvu za sterilizaciju. Vidjeti **sliku A**. Uvjerite se da se u svakom utoru nalazi samo jedan instrument. Kad je to moguće, rastavite ili otvorite sve dijelove instrumentacije prema uputama proizvođača instrumenta.

NEMOJTE preopteretiti držače niti prekoračiti ograničenja mase kasete. Vidjeti Dodatak A.

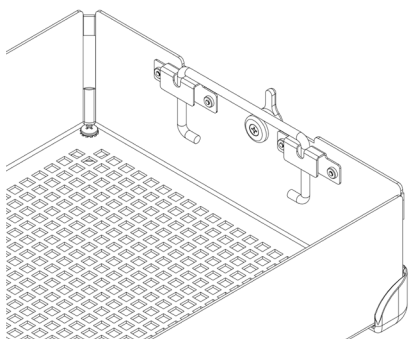
Slika A.



Napomena: Instrumente (npr. endoskop i instrumente s lumenima ili kanalima) treba pripremiti i sterilizirati u skladu s uputama za upotrebu proizvođača uređaja.

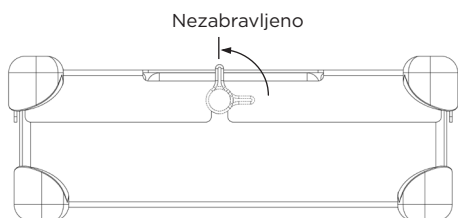
2. Uvjerite se da su ručke postavljene unutar kasete (uvučeni položaj). Prikazano na **slici B**.

Slika B.



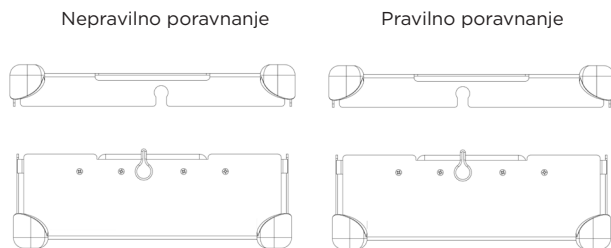
3. Postavite poklopac kasete na bazu kasete osiguravajući da su zasuni pravilno postavljeni s utorom za zasun na poklopcu kasete, a zatim zatvorite zasune. Vidjeti **sliku C**.

Slika C.



Napomena: Zasuni su razmaknuti tako da se poklopac kasete uvijek pravilno poravnava s bazom. Na taj se način osigurava poravnanje držača kada je poklopac pričvršćen. Vidjeti **sliku D** za pravilno poravnanje. **NE postavljajte silom poklopac na bazu kasete, jer možete oštetiti instrumente i kasetu.**

Slika D.



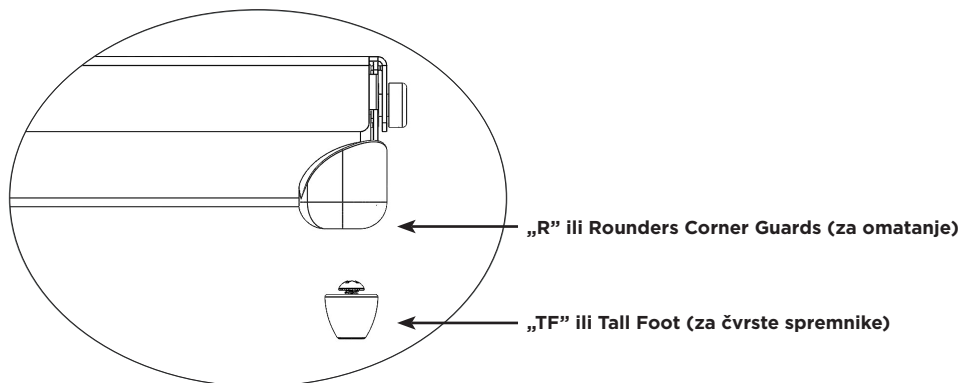
AMBALAŽA

Sustavi InstruSafe mogu biti zamotani u omot koji je zakonito stavljen na tržište ili spremjeni u čvrsti spremnik. Proučite navode u indicijama za upotrebu koji se nalaze u uputama za upotrebu.

Uporaba s omotom:

1. Prije umatanja kasete osigurajte da ima odgovarajuće podnožje. R se upotrebljava s omotom. Vidjeti **sliku G**.

Slika F.



2. Umotajte kasetu u omot zakonito stavljen na tržište prema uputama proizvođača omota.

3. Sterilizirajte pakiranje uporabom jednog od ciklusa sterilizacije navedenog u uputama za upotrebu.

Uporaba s čvrstim spremnikom:

Proučite navode u indicijama za upotrebu koji se nalaze u uputama za upotrebu.

1. Prije stavljanja kasete u čvrsti spremnik osigurajte da postoji odgovarajući oblik podnožja. TF je potrebno upotrebljavati s čvrstim spremnikom. Vidjeti **sliku G**.

2. Postavite kasetu u čvrsti spremnik. Slijedite upute proizvođača spremnika za brtvljenje spremnika.

Napomena: Kasete nemojte omatati prije stavljanja u spremnik na sterilizaciju.

3. Spremnik i sadržaj sterilizirajte uporabom jednog od ciklusa sterilizacije navedenog u uputama za upotrebu.

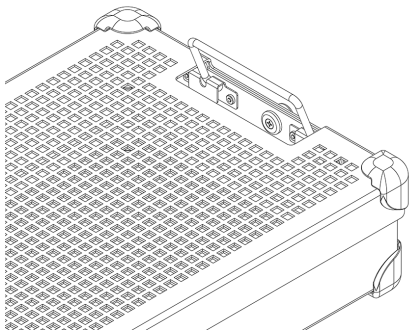
Dodatne informacije

Kako biste kasetu izvadili iz čvrstog spremnika aseptičkim postupkom, slijedite proizvođačeve upute za upotrebu.

1. S rukama u rukavicama stavite dlanove prema van i uvucite kroz otvore na poklopcu kasete.

2. Zahvatite ručke kasete i podignite do uzdignutog položaja. Vidjeti **sliku G**.

Slika G.



3. Nagnite ručke prema unutra, od bočne strane čvrstog spremnika i podignite kasetu iz spremnika pazeći da ne dodirnete vrh ili vanjski dio spremnika.

4. Postavite kasetu na sterilnu površinu.

STERILIZACIJA

Pogledajte **Tablicu 2** za tipične parametre sterilizacije koji su kvalificirani za sterilizaciju sustava InstruSafe.

Tablica 2.

METODA STERILIZACIJE	CIKLUS (vremena)
Parna s predvakuumom	Parametar: Temperatura 270 °F (132 °C) Vrijeme izloženosti 4 minute Vrijeme sušenja 30 minuta
Etilen oksid (EO)	Predkondicioniranje: Temperatura 131 °F (55 °C) Relativna vlažnost 70 ± 15 % Vrijeme predkondicioniranja 1 sat Sterilizacija: Vrijeme izloženosti 120 minuta Temperatura 131 °F (55 °C) Vrijeme prozračivanja 12 sati
STERRAD 100S	<i>Standard</i>
STERRAD 100NX	<i>Standard, Express, Flex</i>
STERRAD NX	<i>Standard</i>
STERIS AMSCO V-PRO 1	<i>Standard</i>
STERIS AMSCO V-PRO 1 PLUS	<i>Lumen, bez lumena</i>
STERIS AMSCO V-PRO maX	<i>Lumen, bez lumena</i>
STERIS AMSCO V-PRO maX 2	<i>Lumen, bez lumena</i>
Sterizone VP4	<i>Ciklus 1</i>

Tvrтка Summit Medical potvrdila je sljedeće metode sterilizacije:

- 4-minutni ciklus sterilizacije u autoklavu u omotu zakonski stavljenom na tržište, spremniku za sterilizaciju InstruSafe, čvrstom spremniku Aesculap ili čvrstom spremniku Genesis koje je odobrila FDA. Pod K180528, InstruSafe spremnik za sterilizaciju je validiran za korištenje s kasetama/pliticama InstruSafe sustava zaštite instrumenata.
- Ciklus sterilizacije etilen oksidom (EO) u omotu zakonito stavljenom na tržište ili sterilnom spremniku Genesis koje je odobrila FDA.
- Ciklus sterilizacije STERRAD 100S Standard u omotu zakonito stavljenom na tržište ili čvrstom spremniku Aesculap koje je odobrila FDA.
- Ciklus sterilizacije STERRAD 100NX Standard u omotu zakonito stavljenom na tržište ili čvrstom spremniku Aesculap koje je odobrila FDA.
- Ciklus sterilizacije STERRAD 100NX Express u omotu zakonito stavljenom na tržište koje je odobrila FDA.
- Ciklus sterilizacije STERRAD 100NX Flex u omotu zakonito stavljenom na tržište ili čvrstom spremniku Aesculap koje je odobrila FDA.
- Ciklus sterilizacije STERRAD NX Standard u omotu zakonito stavljenom na tržište ili čvrstom spremniku Aesculap koje je odobrila FDA.
- Ciklusi sterilizacije STERIS AMSCO V-PRO 1, V-PRO 1 PLUS, V-PRO maX i V-PRO maX 2 u omotu zakonito stavljenom na tržište ili krutom spremniku Aesculap koje je odobrila FDA.
- Ciklus sterilizacije STERRAD VP4 Standard u omotu zakonito stavljenom na tržište ili čvrstom spremniku Aesculap koje je odobrila FDA.

NEMOJTE prekoračiti kapacitet opterećenja sterilnog spremnika koji je naveo proizvođač.

Upotrebljavajte pribor koji je odobrila FDA kako biste održali sterilnost.

Proučite priručnik s uputama sterilizatora kako biste se uvjerali da su namjeravana opterećenja kompatibilna s predviđenim ciklusom sterilizacije.

Proučite upute za uporabu spremnika kako biste se uvjerali da je namjeravano opterećenje kompatibilno s teretom za spremnik koji je odobrila FDA.

INDIKACIJE ZA UPORABU

4-minutna parna, omot i čvrsti spremnik Aesculap®

Kasete sustava zaštite instrumenata InstruSafe® upotrebljavaju se za organizaciju i zaštitu drugih medicinskih instrumenata koje pružatelj zdravstvene skrbi sterilizira. Kasete sustava zaštite instrumenata InstruSafe namijenjene su za sterilizaciju zatvorenih medicinskih uređaja tijekom ciklusa sterilizacije parom s predvakuumom. Kasete sustava zaštite instrumenata InstruSafe namijenjene su za uporabu u kombinaciji s omotom zakonito stavljenom na tržište ili čvrstim spremnikom Aesculap. Kasete sustava za zaštitu instrumenata InstruSafe nisu namijenjene za održavanje vlastite sterilnosti.

Parametar sterilizacije u autoklavu	
Ciklus	Predvakuum
Temperatura	270 °F (132 °C)
Vrijeme izloženosti	4 minuta
Minimalno vrijeme sušenja	30 minuta
Model kasete Summit	Model spremnika Aesculap
IN-8823-AE	*JN444
IN-2880	*JK444
IN-6105	*JN742
*Potvrdila tvrtka Summit Medical za uporabu SAMO u parnim sterilizatorima s predvakuumom koji rade na 270 °F (132 °C) za vrijeme izloženosti od 4 minute. Proučite upute za spremnike kako biste se uvjerali da sadržaj ne prelazi onaj koji određuju zahtjevi za punjenje spremnika za sterilizaciju.	

Zahtjevi za lumen za 4-minutni ciklus parne sterilizacije s predvakuumom			
Model kasete Summit	Minimalni unutarnji promjer	Maksimalna duljina	Broj lumena
IN-8823-CF	3 mm	400 mm	4
IN-8823-CF	3 mm	200 mm	2
IN-2880	1 mm	76 mm	2
IN-2880	3 mm	177 mm	1
IN-6105	5 mm	241 mm	1
IN-2681	1 mm	65 mm	1
IN-2681	3 mm	200 mm	1
IN-7823	1 mm	400 mm	17

4-minutna parna, čvrsti spremnik Genesis™

Kasete sustava zaštite instrumenata InstruSafe® upotrebljavaju se za organizaciju i zaštitu drugih medicinskih instrumenata koje pružatelj zdravstvene skrbi sterilizira. Kasete sustava zaštite instrumenata InstruSafe namijenjene su za sterilizaciju zatvorenih medicinskih uređaja tijekom ciklusa sterilizacije parom s predvakuumom. Kasete sustava zaštite instrumenata InstruSafe namijenjene su za uporabu u kombinaciji s čvrstim spremnicima Genesis koji su zakonito stavljeni na tržište. Kasete sustava za zaštitu instrumenata InstruSafe nisu namijenjene za održavanje vlastite sterilnosti. Cijeli popis modela uređaja nalazi se u dodatku A.

Zahtjevi za lumen za 4-minutni ciklus parne sterilizacije s predvakuumom			
Model kasete Summit	Minimalni unutarnji promjer	Maksimalna duljina	Broj lumena
IN-2681	1 mm	65 mm	1
IN-2681	3 mm	200 mm	1
IN-6105	5 mm	241 mm	1
IN-0000	1 mm	400 mm	5
	3 mm	400 mm	1
	5 mm	400 mm	1

NAPOMENE ZA UPORABU (nastavak)

8-minutni s parom i etilen oksidom (EO), omotom i krutim spremnikom Genesis™

Kasete sustava zaštite instrumenata InstruSafe® upotrebljavaju se za organizaciju i zaštitu drugih medicinskih uređaja koje pružatelj zdravstvene skrbi sterilizira. Kasete sustava InstruSafe namijenjene su za sterilizaciju zatvorenih medicinskih instrumenata tijekom ciklusa sterilizacije parom s predvakuumom ili etilen oksidom. Kasete sustava InstruSafe namijenjene su za uporabu u kombinaciji s centralnim omotom zakonito stavljenim na tržište ili krutim spremnikom Genesis. Kasete sustava InstruSafe nisu namijenjene za održavanje vlastite sterilnosti.

Metode sterilizacije i konfiguracije

Parno 8-minutno predkondicioniranje pri 132 °C	
140 count tkani omot	Vrijeme sušenja 10 minuta
Netkani omot (Kimberly Clark)	Vrijeme sušenja 50 minuta
Spremnik Genesis (referentna tablica 1 za filtarski papir koji se upotrebljava)	Vrijeme sušenja 30 minuta

Etilen oksid (EO)
<ul style="list-style-type: none"> ▪ 1 sat predkondicioniranja pri 131 °F (55 °C) uz relativnu vlažnost 70 ± 15 % ▪ 2 sata izloženosti pri 131 °F (55 °C) ▪ 12 sati ventilacije

Spremnik Genesis	Filtarski papir spremnika Genesis
CD2-4B	FX3-1: 9x9"
CD2-5B	FX3-1: 9x9"
CD3-4B	FX3-1: 9x9"
CD3-5B	FX3-1: 9x9"
CD3-6B	FX3-1: 9x9"
CD3-7B	FX3-1: 9x9"
CD4-5B	FO3-2: 9x6"
CD5-61B	FO3-2: 9x6"
CD6-6B	FX3-1: 9x9"

Pogledajte V. Mueller Genesis sustav spremnika za sterilizaciju, Korisničke upute za uporabu kad se upotrebljava bilo koji kruti spremnik Genesis.

Ciklusi STERRAD® 100S i STERRAD® 100NX® Standard, omot i čvrsti spremnik Aesculap®

Kasete sustava zaštite instrumenata InstruSafe® upotrebljavaju se za organizaciju i zaštitu drugih medicinskih instrumenata koje pružatelj zdravstvene skrbi sterilizira. Kasete sustava zaštite instrumenata InstruSafe namijenjene su za omogućavanje sterilizacije zatvorenih medicinskih instrumenata tijekom ciklusa sterilizacije Sterrad 100S Standard i Sterrad 100NX Standard. Kasete sustava zaštite instrumenata InstruSafe namijenjene su za uporabu u kombinaciji s omotom zakonito stavljenim na tržište ili čvrstim spremnikom Aesculap. Kasete sustava zaštite instrumenata InstruSafe nisu namijenjene za održavanje vlastite sterilnosti. Cijeli popis modela uređaja nalazi se u dodatku A.

Sljedeće plitice za sterilizaciju su potvrđene s odgovarajućim čvrstim spremnicima:

Ciklus STERRAD 100S Standard	
Model kasete Summit	Model spremnika Aesculap
IN-8823-AE	*JM444
IN-6105	*JM440

Ciklus STERRAD 100NX Standard	
Model kasete Summit	Model spremnika Aesculap
IN-8823-AE	*JM444
IN-6105	*JM440

*Potvrdila tvrtka Summit Medical za uporabu SAMO u ciklusima STERRAD 100S Standard i STERRAD 100NX Standard. Proučite upute za spremnike kako biste se uvjerali da sadržaj ne prelazi onaj koji određuju zahtjevi za punjenje spremnika za sterilizaciju.

Zahtjevi za lumene za cikluse STERRAD 100S Standard i STERRAD 100NX Standard	
4 lumena od nehrđajućeg čelika s unutarnjim promjerom 3 mm x duljina 400 mm	Svi modeli odgovarajuće veličine navedeni su u Dodatku A s iznimkom IN-2681.
2 lumena od nehrđajućeg čelika s unutarnjim promjerom 3 mm x duljina 200 mm	
1 lumen od nehrđajućeg čelika s unutarnjim promjerom 3 mm x duljina 200 mm	IN-2681
1 lumen od nehrđajućeg čelika s unutarnjim promjerom 1 mm x duljina 65 mm	

NAPOMENE ZA UPORABU (nastavak)

Ciklusi STERRAD® NX® Standard , omot i čvrsti spremnik Aesculap®

Kasete sustava zaštite instrumenata InstruSafe® upotrebljavaju se za organizaciju i zaštitu drugih medicinskih uređaja koje pružatelj zdravstvene skrbi sterilizira. Kasete sustava zaštite instrumenata InstruSafe namijenjene su za sterilizaciju zatvorenih medicinskih uređaja tijekom ciklusa sterilizacije Sterrad NX Standard. Kasete sustava zaštite instrumenata InstruSafe namijenjene su za uporabu u kombinaciji s omotom zakonito postavljenim na tržište ili čvrstim spremnikom Aesculap. Kasete sustava zaštite instrumenata InstruSafe nisu namijenjene za održavanje vlastite sterilnosti. Cijeli popis modela uređaja nalazi se u dodatku A.

Metode sterilizacije i konfiguracije

- ciklus sterilizacije Sterrad NX Standard

Zahtjevi za lumen za ciklus sterilizacije STERRAD NX Standard			
Model kasete Summit	Minimalni unutarnji promjer	Maksimalna duljina	Broj lumena
IN-2681	1 mm	65 mm	1
IN-2681	3 mm	200 mm	1
IN-8987-S	1 mm	500 mm	5
IN-8615	2,3 mm	210 mm	5
IN-6105	4 mm	235 mm	1

Napomena: Potvrđeno punjenje na temelju izračuna odzračnog otvora po volumenu u najgorem slučaju je plitica IN-2681.

Ciklus STERRAD® 100NX® Express, omot

Kasete sustava zaštite instrumenata InstruSafe® upotrebljavaju se za organizaciju i zaštitu drugih medicinskih instrumenata koje pružatelj zdravstvene skrbi sterilizira. Kasete sustava zaštite instrumenata InstruSafe namijenjene su za sterilizaciju zatvorenih medicinskih uređaja tijekom ciklusa sterilizacije Sterrad® 100NX Express. Kasete sustava zaštite instrumenata InstruSafe namijenjene su za uporabu u kombinaciji s omotom zakonito stavljenim na tržište. Kasete sustava zaštite instrumenata InstruSafe nisu namijenjene za održavanje vlastite sterilnosti. Sustav zaštite instrumenata InstruSafe nema zahtjeva za lumen za ciklus Sterrad 100NX Express.

Ciklus sterilizacije STERRAD® 100NX® Flex, omot i čvrsti spremnik Aesculap®

Kasete sustava zaštite instrumenata InstruSafe upotrebljavaju se za organizaciju i zaštitu drugih medicinskih instrumenata koje pružatelj zdravstvene skrbi sterilizira. Kasete sustava zaštite instrumenata InstruSafe namijenjene su za sterilizaciju zatvorenih medicinskih uređaja tijekom ciklusa sterilizacije Sterrad 100NX Flex. Kasete sustava zaštite instrumenata InstruSafe namijenjene su za uporabu u kombinaciji s omotom zakonito stavljenim na tržište ili čvrstim spremnikom Aesculap. Kasete sustava zaštite instrumenata InstruSafe nisu namijenjene za održavanje vlastite sterilnosti. Cijeli popis modela uređaja nalazi se u dodatku A.

Sterilizacijski ciklus STERRAD 100NX Flex	
Model kasete Summit	Model spremnika Aesculap
IN-0000	*JM440
IN-6105	*JM440

**Potvrdila tvrtka Summit Medical za uporabu SAMO u sterilizacijskom ciklusu STERRAD 100NX Flex. Proučite upute za spremnike kako biste se uvjerali da sadržaj ne prelazi onaj koji određuju zahtjevi za punjenje spremnika za sterilizaciju.*

Zahtjevi za lumene za sterilizacijski ciklus STERRAD 100NX Flex				
Model kasete Summit	Minimalni unutarnji promjer	Maksimalna duljina	Broj lumena	Obložen/kruti Spremnik
IN-0000	1 mm	850 mm	1	Obložen + kruti spremnik
IN-8823	1 mm	850 mm	1	Obložen + kruti spremnik
IN-7344	1 mm	850 mm	1	Obloženi
IN-6105	4 mm	235 mm	1	Obložen + kruti spremnik

Potvrđeno punjenje na temelju izračuna odzračnog otvora po volumenu u najgorem slučaju je plitica IN-0000.

Napomena: Plitica IN-0000 namijenjena je samo za testiranje.

NAPOMENE ZA UPORABU (nastavak)

AMSCO® V-PRO® ciklusi sterilizacije na niskoj temperaturi, omot i čvrsti spremnik Aesculap®

Kazete sustava zaštite instrumenata InstruSafe® upotrebljavaju se za organizaciju i zaštitu drugih medicinskih instrumenata koje pružatelj zdravstvene skrbi sterilizira. Kazete sustava zaštite instrumenata InstruSafe namijenjene su za sterilizaciju zatvorenih medicinskih instrumenata tijekom ciklusa sterilizacije na niskoj temperaturi Amsco V- PRO. Kazete sustava zaštite instrumenata InstruSafe namijenjene su za uporabu u kombinaciji s omotom zakonito stavljenim na tržište ili čvrstim spremnikom Aesculap. Kasete sustava zaštite instrumenata InstruSafe nisu namijenjene za održavanje vlastite sterilnosti. Cijeli popis modela uređaja nalazi se u dodatku A.

Sustavi za sterilizaciju na niskoj temperaturi AMSCO V-PRO			
Sterilizator	Standardni ciklus	Ciklus lumena	Ciklus nelumena
V-PRO 1	X	N/A	N/A
V-PRO 1 PLUS	N/A	X	X
V-PRO maX	N/A	X	X
V-PRO maX 2	N/A	X	X
Model kasete Summit		Model spremnika Aesculap	
IN-8823		*JM444	
IN-6105		*JM742	
<i>*Potvrdila tvrtka Summit Medical za uporabu SAMO u sustavima za sterilizaciju s niskim temperaturama AMSCO V-PRO. Kada spremnik Aesculap upotrebljavate kao sterilnu prepreku, opterećenje (Summit plitica i sadržaj) ne smije prelaziti zahtjeve za punjenje za masu i vrstu opterećenja spremnika.</i>			

Veličina lumena instrumentacije obuhvaća:			
Model kasete Summit	Minimalni unutarnji promjer	Maksimalna duljina	Broj lumena
IN-8823	3 mm	400 mm	2
IN-6105	3 mm	200 mm	1
IN-2681	1 mm	64 mm	1
Napomena: Potvrđeno punjenje na temelju izračuna odzračnog otvora po volumenu u najgorem slučaju je plitica IN-2681.			

NAPOMENE ZA UPORABU (nastavak)

VP4 Sterizone, omot i kruti spremnik Aesculap®

Kasete (plitice) sustava zaštite instrumenata InstruSafe® upotrebljavaju se za organizaciju i zaštitu drugih medicinskih uređaja koje pružatelj zdravstvene skrbi sterilizira. Kasete sustava zaštite instrumenata InstruSafe® namijenjene su za sterilizaciju zatvorenih medicinskih uređaja tijekom ciklusa 1 sterilizacije STERIZONE VP4. Kasete sustava zaštite instrumenata InstruSafe namijenjene su za uporabu u kombinaciji s omotom zakonito stavljenim na tržište ili čvrstim spremnikom Aesculap. Kasete sustava zaštite instrumenata InstruSafe nisu namijenjene za održavanje vlastite sterilnosti.

Tvrtka Summit Medical je validirala upotrebu kaset sustava zaštite instrumenata InstruSafe u 1. kklusu sterilizatora STERIZONE VP4 koristeći se reprezentativnim uzorcima medicinskih uređaja, uključujući opće instrumente, krute i polukrute instrumente s lumenima i fleksibilne endoskope. Validacija je pružila informacije koje su upotrijebljene za utvrđivanje ograničenja dizajna koja se primjenjuju na čitav niz kaset sustava zaštite instrumenata InstruSafe kako bi se osiguralo da svi modeli spadaju u provjerena ograničenja za ventilaciju kasete, unutarnje police i težinu:

- Minimalni omjer ventilacije i volumena, opći instrumenti: 0,073
- Minimalni omjer ventilacije i volumena, fleksibilni endoskopi: 0,263
- Maksimalan broj unutarnjih polica: Dvije (2)
- Maksimalna težina kasete (uključujući sadržaj): 25 lbs /kaseti

Pogledajte donju tablicu za validirana opterećenja pomoću kaset sustava zaštite instrumenata InstruSafe. Pogledajte upute za upotrebu proizvođača sterilizatora kako biste osigurali da opterećenja ne prelaze navedena ograničenja za sterilizator.

Opis opterećenja sustava za zaštitu instrumenata InstruSafe.

Predstavnik sterilizatora STERIZONE® VP4 validacija opterećenja Br. (K190260)	Opis Summit Medical validacije opterećenja	Ukupna težina opterećenja (isključuje stalak za opterećenje od 25 lbs)
4	<p>Opterećenje 4a: Sastojalo se od ograničenja opterećenja za krute i polukrute kanalirane instrumente.</p> <ul style="list-style-type: none"> • Tri (3) dvokanalna polukruta endoskopa (ureteroskop – 0,7 mm × 500 mm i 1,1 mm × 500 mm) su pakirani, jedan (1) po kaseti, u tri (3) IN 7323-R kasete. • Dodani su dodatni instrumenti s krutim kanalom kako bi se postiglo ukupno ukupno 15 kanala. <p>Svaka kaset je sadržavala odgovarajuće silikonske držače instrumenata i bila je zamotana.</p> <p>Opterećenje 4b: Sastojalo se od ograničenja opterećenja za krute i polukrute kanalirane instrumente.</p> <ul style="list-style-type: none"> • Tri (3) dvokanalna polukruta endoskopa (ureteroskop – 0,7 mm × 400 mm i 1,1 mm × 400 mm) su pakirani, jedan (1) po kaseti, u tri (3) IN-0007-TF kasete. • Dodani su dodatni instrumenti s krutim kanalom kako bi se postiglo ukupno ukupno 15 kanala. <p>Svaka kaset je sadržavala odgovarajuće silikonske držače za instrumente i bila je smještena u kruti spremnik Aesculap JM440.</p>	<p>Opterećenje 4a = 5 lbs /kaseti, 15 lbs ukupno</p> <p>Opterećenje 4b = 11 lbs /kaseti, 33 lbs ukupno</p>
7	<p>Validacija opterećenja Summit Medical 7a: Sastojalo se od ograničenja težine opterećenja za opće medicinske instrumente koji predstavljaju sljedeće geometrije:</p> <ul style="list-style-type: none"> • zakretna lokot stezaljka • zakretna šarka • Luer-lock <p>Opći medicinski instrumenti bili su raspoređeni utri (3) IN-7323-R kasete s odgovarajućim silikonskim držačima, od kojih je svaka težila 25 lbs. Kasete su bile omotane.</p> <p>Validacija opterećenja Summit Medical 7b: Sastojalo se od ograničenja težine opterećenja za opće medicinske instrumente koji predstavljaju sljedeće geometrije:</p> <ul style="list-style-type: none"> • zakretna lokot stezaljka • zakretna šarka • Luer-lock <p>Opći medicinski instrumenti bili su raspoređeni utri (3) IN-0006-TF kasete s odgovarajućim silikonskim držačima. Kasete su stavljene u spremnike Aesculap JM440, svaki težine 25 lbs.</p>	<p>Opterećenje 7a = 25 lbs /kaseti 75 lbs ukupno</p> <p>Opterećenje 7b = 25 lbs /kaseti 75 lbs ukupno</p>
8	<p>Validacija opterećenja Summit Medical 8a: Sastoji se od ograničenja opterećenja od pet (5) cijelih kanala fleksibilnih endoskopa u omotanom kasetama:</p> <ul style="list-style-type: none"> • Dva (2) dvokanalna fleksibilna endoskopa (ureteroskopa– 1 mm × 850 mm i 1 mm × 989 mm) su pakirani, jedan(1) po kaseti, u IN-0003-R kasetama. • Jedan (1) jednokanalni fleksibilni endoskop (ureteroskop – 1 mm × 850 mm) je zapakiran u IN-0004-R kasetu. <p>Kasete su sadržavale odgovarajuće silikonske držače i bile su zamotane.</p> <p>Validacija opterećenja Summit Medical 8b: Sastoji se od ograničenja opterećenja od četiri (4) cijelih kanala fleksibilnih endoskopa u kasetama u krutim spremnicima:</p> <ul style="list-style-type: none"> • Dva (2) dvokanalna fleksibilna endoskopa (ureteroskopa– 1 mm × 850 mm i 1 mm × 989 mm) su pakirani, jedan(1) po kaseti, u IN-0003-TF kasetama s odgovarajućim silikonskim držačima. <p>Svaka kaset je stavljena u Aesculap JM442 spremnik.</p>	<p>Opterećenje 8a = 4,3 lbs /kaseti, 13 lbs ukupno</p> <p>Opterećenje 8b = 8,3 lbs /kaseti, 25 lbs ukupno</p>

SKLADIŠTENJE

Skladištite terminalno sterilne kasete koje su omotane ili spremljene na policu za odlaganje u vodoravnom položaju. Pojednosti o trajanju skladištenja potražite kod proizvođača ambalaže ili spremnika.

ZBRINJAVANJE

U slučaju da sustavi zaštite instrumenata InstruSafe® ne prođu inspekciju prije upotrebe ili ako se na drugi način smatra da više ne odgovaraju svrsi, uređaji se moraju zbrinuti kao otpad u skladu s lokalnim protokolom. Način zbrinjavanja ovisit će o potencijalnim rizicima od unakrsne kontaminacije i infekcije kada se utvrdi potreba za odlaganjem.

IZVJEŠĆIVANJE O OZBILJNIM INCIDENTIMA

Svaki ozbiljni incident koji se dogodio u vezi s uređajem treba prijaviti proizvođaču i FDA / nadležnom tijelu države članice u kojoj korisnik i/ili pacijent ima sjedište.

JAMSTVO

OGRANIČENO JAMSTVO ZA SUSTAV ZAŠTITE INSTRUMENATA SUMMIT MEDICAL INSTRUSAFE .

OVO OGRANIČENO JAMSTVO I PRAVNA SREDSTVA KOJI SU OVDJE NAVEDENI SU EKSKLUZIVNI I ZAMJENJUJU SVA OSTALA IZRIČITA JAMSTVA A, OSIMA AKO NISU OVDJE NAVEDENI, SVE IZJAVE ILI TUMAČENJA KOJA IZVRŠI DRUGA OSOBA ILI PODUZEĆE SMATRAJU SE NIŠTAVNIMA. TRAJANJE SVIH PODRAZUMIJEVANIH JAMSTAVA NA MOGUĆNOST PRODAJE ILI SPOSOBNOST ZA POJEDINU NAMJENU BIT ĆE OGRANIČENO NA TRAJANJE IZRIČITOG OGRANIČENOG JAMSTVA. NITI TVRTKA SUMMIT MEDICAL NI NJEZINE PODRUŽNICE NISU ODGOVORNI NI ZA KAKVU SLUČAJNU, POSLJEDIČNU ILI SPECIJALNU ŠTETU ILI GUBITAK, KOJI PROIZLAZE IZ UPORABE ILI NEMOGUĆNOSTI UPORABE INSTRUSAFE SUSTAVA, BILO DA PROIZLAZI IZ KRŠENJA JAMSTVA ILI BILO KOJE DRUGE PRAVNE TEORIJE.

Ovo ograničeno jamstvo daje određena zakonska prava, a možete imati i druga prava koja se razlikuju od države do države. Neke države ne dopuštaju ograničenja o tome koliko dugo traje jamstvo ili ne dopuštaju isključenje ili ograničavanje slučajnih ili posljedičnih oštećenja, tako da se gornje ograničenje ili isključenje možda ne mogu odnositi na vas.

Što je obuhvaćeno. Summit Medical jamči izvornom kupcu da je sustav InstruSafe pridružen uz ovo ograničeno jamstvo usklađen s proizvođačevim specifikacijama te da ne postoje nedostaci u izradi ni materijalu tijekom razdoblja od 12 mjeseci od datuma originalne kupnje. Ako originalni kupac prenese sustav InstruSafe drugoj osobi, ovo ograničeno jamstvo neće biti na snazi kod strane kojoj je proizvod prenesen.

Što ćemo učiniti kako bismo ispravili probleme. Ako se vaš sustav InstruSafe u tom razdoblju pokaže neispravnim, morate obavijestiti tvrtku Summit Medical ili ovlaštenog distributera ili zastupnika tvrtke Summit Medical. Morate dozvoliti da tvrtka Summit Medical ili njezini predstavnici provedu takve istrage, ispitivanja i testove koje tvrtka Summit Medical ocijeni prikladnima i ako to od vas zatraže, vratiti proizvod u tvornicu na niže navedenoj adresi. Jedina obveza tvrtke Summit Medical prema ovom ograničenom jamstvu je, po njezinom izboru, da popravi ili zamijeni neispravni proizvod ili proizvode, bez naplate dijelova ili rada. Troškovi poštarine, osiguranja ili isporuke nastali prilikom predočenja vašeg proizvoda InstruSafe sustava za uslugu iz jamstva vaša su odgovornost.

Što nije obuhvaćeno. Ovo ograničeno jamstvo je uvjetovano pravilnom upotrebom i održavanjem proizvoda; ne pokriva proizvode koji su nepravilno otpremljeni ili koji su zloupotrijebljeni, pogrešno upotrijebljeni, zanemareni ili nepravilno održavani, čišćeni ili pohranjeni ili ih je servisirao netko drugi osim tvrtke Summit Medical ili ovlaštenog distributera ili zastupnika tvrtke Summit Medical, ili su na njima rađene preinake bez izričitog odobrenja tvrtke Summit Medical. Nepridržavanje uputa u korisničkom priručniku može predstavljati nepravilnu uporabu ili održavanje proizvoda te predstavlja uzrok da se ovo ograničeno jamstvo ne primjenjuje. Ovo jamstvo ne obuhvaća uobičajeno trošenje ili zamjenske artikle.

Ako imate pitanja ili pritužbi koje se odnose na ovo jamstvo, obratite se na:

Odjel korisničke službe
Summit Medical
815 Vikings Parkway, Suite 100
St. Paul, MN 55121 | SAD
www.instrusafe.com

TELEFON: 651-789-3939 | 888-229-2875
TELEFAKS: 651-789-3979 | 888-229-1941
E-pošta: customerservice@innoviamedical.com

Proizvođač uređaja je potvrdio da su navedena uputstva delotvorna za ponovnu obradu medicinskih uređaja za višekratnu upotrebu.

Pojedinačni sterilizatori, čistoća instrumenata, tačno punjenje tacni za instrumente, vrste i geometrija instrumenata, posude za sterilizaciju, filteri i materijal za pakovanje se razlikuju od lokacije do lokacije.

PROČITAJTE OVAJ ODELJAK PRE PUŠTANJA PROIZVODA U RAD

NAMENA/REZIME INDIKACIJA ZA UPOTREBU

Kasete i tacne InstruSafe® sistema za zaštitu instrumenata namenjene su držanju i zaštiti medicinskih uređaja za višekratnu upotrebu tokom transporta, sterilizacije i skladištenja. Kasete i tacne InstruSafe® sistema za zaštitu instrumenata koriste se za organizovanje i zaštitu drugih medicinskih uređaja koje sterilišu zdravstveni radnici. Namena kasete i tacni InstruSafe sistema za zaštitu instrumenata je omogućavanje sterilizacije sadržanih medicinskih uređaja tokom ciklusa sterilizacije u nastavku:

- Vodena para pod pritiskom (ISO 17665-1 i EN 285)
- Etilen-oksidi (ISO 11135)
- Potvrđena sterilizacija na niskoj temperaturi, (ISO 14937) tj.
 - STERRAD® 100S Standard (kratki)
 - STERRAD® 100NX® Express, Standard i Flex
 - STERRAD® NX® Standard
 - STERIS® AMSCO® V-PRO 1®, V-PRO 1 Plus, V-PRO maX i V-PRO maX 2
 - Sterizone® VP4

Kasete/tacne InstruSafe sistema za zaštitu instrumenata nisu namenjene da same po sebi održavaju sterilnost. Kasete i tacne InstruSafe sistema za zaštitu instrumenata namenjene su da se koriste zajedno sa materijalom za pakovanje koji je dostupan na tržištu, Aesculap® metalnim posudama i Genesis™ metalnim posudama.

InstruSafe posude za sterilizaciju potvrđene su za upotrebu sa kasetama/tacnama InstruSafe sistema zaštite instrumenata, (pod pritiskom, 270°F (132°C), samo 4-minutni ciklus sterilizacije parom) u skladu sa 510(k) K180528. Za dodatne informacije pogledajte uputstvo za upotrebu za InstruSafe® posudu za sterilizaciju.

Kompletna lista modela uređaja navedena je u dodatku A, koji se može pogledati na adresi www.instrusafe.com/ifus.

OPIS UREĐAJA

Kasete InstruSafe sistema za zaštitu instrumenata kompanije Summit Medical su kasete/tacne koje se koriste za organizovano odvajanje i čuvanje hirurških instrumenata i dodatka instrumentima tokom procesa sterilizacije i naknadnog skladištenja i prenosa. Kasete/tacne nisu u direktnom kontaktu sa pacijentima. Kasete/tacne same po sebi ne održavaju sterilnost. Kasete/tacne su različitih veličina, ali istog osnovnog oblika: pravougaona kutija sa poklopcem sa bravicom za zatvaranje. Kasete/tacne imaju otvore kako bi se omogućilo prodiranje sredstva za sterilizaciju. Kasete/tacne sadrže silikonske umetke u kutiji i/ili poklopcu za držanje, organizovanje i zaštitu hirurških instrumenata u kaseti/tacni tokom procesa sterilizacije i naknadnog skladištenja i prenosa.

PREDVIĐENI KORISNICI

InstruSafe® sisteme za zaštitu instrumenata treba da koriste zdravstveni radnici u operacionoj sali i odeljenju za sterilizaciju, radi prenosa, sterilizacije i skladištenja medicinskih uređaja.

OGRANIČENJE OBRAD

1. Kraj radnog veka InstruSafe sistema za zaštitu instrumenata je najmanje 25 ciklusa sterilizacije. Pre upotrebe pregledajte da li na tacni postoje pohabana mesta i oštećenja prouzrokovana upotrebom. Prestanite sa upotrebom ukoliko su prisutni vidljivi znaci habanja, uključujući koroziju, mehaničke kvarove, pukotine, oljuštene delove, listanje, polomljene spojeve, oštećeno postolje, oštećene bravice, oštećene Hold-Its®/Hold-Downs držače, promenu boje i sl.
2. U **tabeli 2** možete pronaći više informacija o metodama sterilizacije i konfiguracijama.
3. **NEMOJTE DA PREOPTERETITE** InstruSafe sisteme niti njihove komponente.
4. **NEMOJTE DA PREOPTERETITE** pojedinačne Hold-Its držače. Stavljajte samo po jedan instrument u jedan Hold-Its držač.
5. Prilikom korišćenja metalnih posuda **NEMOJTE DA PAKUJETE** InstruSafe sisteme ili komponente, ni da ih stavljate u posude za sterilizaciju.
6. U sterilizatore **NEMOJTE DA SLAŽETE JEDAN NA DRUGI** InstruSafe sistem ili komponente upakovane ili u posudi. InstruSafe sisteme koji su upakovani ili u posudama, odnosno njihove komponente, razdvojite jedne od drugih ili od svih drugih predmeta na zasebne police sterilizatora kako bi se omogućio najbolji protok sredstva za sterilizaciju.
7. Korišćenje neupijajućih podloga za tacne (npr. silikonskog podmetača sa šiljcima za organizovanje instrumenata) može da dovede do stvaranja barica od vlage. Ukoliko je prisutna vidljiva vlaga, ponovo sterilišite, ali sa dužim periodom sušenja.
8. Ukupna težina sistema posude (npr. posude, tacne i naslaganih instrumenata) ne sme da bude veća od 25 funti (11,34 kg).
9. Instrumenti (npr. endoskopi i instrumenti sa šupljinama ili kanalima) treba da se pripremaju i sterilišu u skladu sa uputstvima proizvođača tih instrumenata.
10. Osoba koja izvodi postupak je odgovorna za proveru valjanosti postupaka završne sterilizacije koji se koriste na konfiguracijama instrumenata i sudovima koji se izlažu postupku sterilizacije.
11. Pogledajte uputstvo za upotrebu koje izdaje proizvođač sterilizatora da biste videli dodatna ograničenja (npr. ograničenja dimenzije ili težine).

UPOZORENJA

- Za aluminijumske InstruSafe sisteme koristite samo deterđente neutralne pH vrednosti (6,0–8,5) kako ne bi došlo do oštećenja završnog sloja. Deterđent izuzetno kisele ili izuzetno bazne pH vrednosti može da trajno ošteti anodizovani aluminijumski premaz kasete i metalnih komponenti.
- Ne koristite ako je pakovanje oštećeno ili slučajno otvoreno pre upotrebe.

Napomena: Kasete očistite i proverite u skladu sa navedenim uputstvima pre nego što ih stavite u upotrebu.

UNIVERZALNE MERE PREDOSTROŽNOSTI

- Osoblje treba da nosi svu zaštitnu odeću i opremu u skladu sa radnim procedurama poslodavca/odeljenja za nivo kontaminacije kom će da budu izloženi.
- Različite metale razdvojite tokom sterilizacije kako biste sprečili koroziju.

NA MESTU UPOTREBE

Uklonite krupniju prljavštinu pomoću krpe/papirnog ubrusa za jednokratnu upotrebu. Zaprljane komponente treba da budu održavane vlažnim dok ne bude moguća obrada odgovarajućim postupkom čišćenja.

ČIŠĆENJE

Pogledajte uputstva proizvođača instrumenata za konkretna uputstva za čišćenje instrumenata u kasetama.

Preporučujemo da koristite jedan od sledećih proverenih postupaka za čišćenje kasete/tacne.

Koristite samo pH neutralne (6,0–8,5) rastvore bez natrijum-karbonata kako ne bi došlo do oštećenja završnog sloja aluminijumskih kasete.

NEMOJTE da koristite oštre sunđere niti abrazivna sredstva za čišćenje. **NEMOJTE** kasete da natapate u tečnost.

1. Gruba ručna dekontaminacija:

- A. Neophodni materijal: Enzimski deterđent neutralne pH vrednosti (6,0–8,5), mekana četka i tekuća voda.
- B. Uklonite sve vidljive naslage i strane materije pomoću meke četke. Tokom čišćenja treba da uronite celu kasetu u tečnost na najmanje 2 minuta kako bi se lakše uklonile strane materije i smanjilo prskanje deterđenta po osoblju.
- C. Najmanje 1 minut temeljno ispirajte čistom vodom da biste uklonili sav deterđent. Uputstva o ispiranju potražite na nalepnici deterđenta.

2. Ultrazvučno čišćenje:

- A. Pripremite enzimsko sredstvo u jedinici za ultrazvučno čišćenje.
- B. Stavite jednu kasetu u deterđent i pokrenite čišćenje u trajanju od najmanje deset minuta.
- C. Najmanje 2 minuta ispirajte hladnom vodom sa česme.
- D. Pregledajte kasetu kako biste videli da li je na njoj ostalo stranih materija. Ako je potrebno, ponovite ciklus kako biste uklonili vidljivu prljavštinu.

3. Automatski uređaji za pranje:

Potvrđeno je da su InstruSafe sistemi za zaštitu instrumenata pogodni za ciklus pranja u automatskom sistemu navedenom u **tabeli 1**. Osoba koja izvodi postupak treba da izabere konkretne parametre.

Tabela 1

CIKLUS	TEMPERATURA VODE	PROCES ČIŠĆENJA
Pretpranje 1 i 2	Hladna voda sa česme	Vreme recirkulacije: 2 minuta
Enzimsko sredstvo za čišćenje	Vrela voda sa česme	Vreme natapanja: 4 minuta
Pranje 1	Zagrejano na 150°F (65,5°C)	Vreme recirkulacije: 15 minuta
Ispiranje 1 i 2	Vrela voda sa česme	Vreme recirkulacije: 5 minuta

Napomena: Kada se završi ciklus automatskog pranja, pregledajte da li je na InstruSafe sistemu (kaseti i dodacima) ostalo vidljive prljavštine. Neophodno je da se sva vidljiva prljavština ukloni ručnim čišćenjem, četkanjem, ultrazvučnim ili dodatnim automatskim ciklusima pranja pre slanja na sterilizaciju.

DEZINFEKCIJA

InstruSafe sistemi su namenjeni za terminalnu sterilizaciju.

ODRŽAVANJE, PROVERA I TESTIRANJE

InstruSafe sistemi mogu da se ponovo koriste dok ne dođe do neprihvatljivog propadanja kao što su korozija, pukotine, rđa, lluštenje, listanje, promena boje ili mehanički kvar.

U znake mehaničkog kvara spadaju:

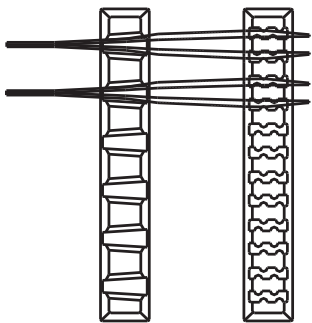
- polomljeni ili napukli uglovi ili spojevi,
- polomljene bravice ili bravice koje ne funkcionišu,
- nedostajući, pocepani isečeni silikonski umeci,
- nedostajuće ili oštećeno postolje.

SASTAVLJANJE

1. Stavite instrumente u predviđene držače ili oblast ograničenu stubićima kako bi površine svih instrumenata bile izložene sredstvu za sterilizaciju. Pogledajte **sliku A**. Obavezno stavljajte samo jedan instrument u jedan držač. Kada je to moguće, rastavite ili otvorite sve delove instrumenata prema uputstvima proizvođača instrumenata.

NEMOJTE da preopteretite držače niti da premašite ograničenja težine kasete. Pogledajte **odatak A**.

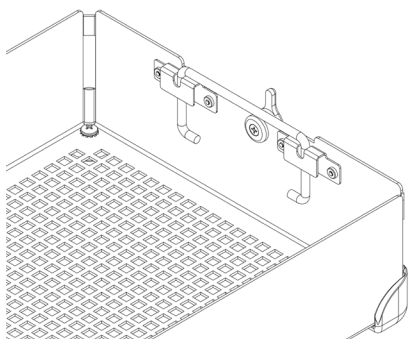
Slika A.



Napomena: Instrumenti (npr. endoskopi i instrumenti sa šupljinama ili kanalima) treba da se pripremaju i sterilišu u skladu sa uputstvima za upotrebu proizvođača tih instrumenata.

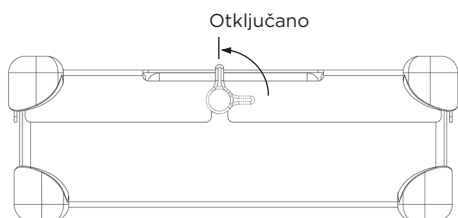
2. Postarajte se da se drške nalaze unutar kasete (uvučene). Prikazano na **slici B**.

Slika B.



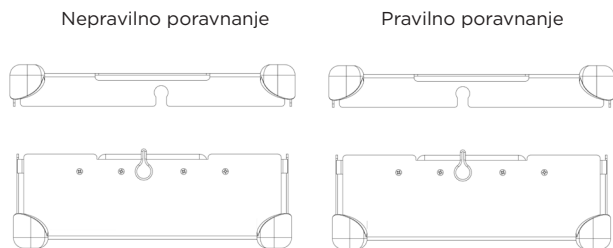
3. Postavite poklopac kasete na kutiju kasete vodeći računa da su bravice pravilno postavljene tako da prorez bravice bude na poklopcu kasete, a zatim zatvorite bravice. Pogledajte **sliku C**.

Slika C.



Napomena: Bravice se pomeraju kako bi se poklopac kasete uvek pravilno poravnao sa kutijom. Time se osigurava da držači budu poravnati kada se poklopac zaključa. Na **slici D** pogledajte kako izgleda pravilno poravnanje. **NEMOJTE** na silu da gurate poklopac kasete na kutiju kasete jer time možete da oštetite instrumente i kasetu.

Slika D.



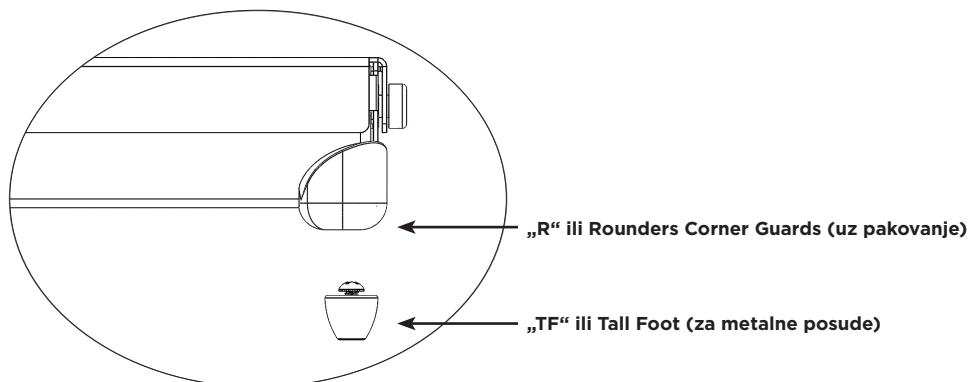
PAKOVANJE

InstruSafe sistemi mogu da se pakuju u materijal za pakovanje koji je dostupan na tržištu ili da se stavljaju u metalne posude koje su dostupne na tržištu. Pogledajte obaveštenja iz odeljka „Indikacije za upotrebu“ koje se nalazi u uputstvu za upotrebu.

Korišćenje pakovanja:

1. Pre nego što zapakujete kasetu, proverite da li ima odgovarajuću nožicu. Pakovanje treba da se koristi sa R nožicom. Pogledajte **sliku F**.

Slika F.



2. Zapakujte kasetu koristeći zvanično odobren materijal za pakovanje prema uputstvima proizvođača materijala za pakovanje.
3. Sterilišite paket jednim od ciklusa sterilizacije navedenim u uputstvu za upotrebu.

Korišćenje metalne posude:

Pogledajte obaveštenja iz odeljka „Indikacije za upotrebu“ koji se nalazi u uputstvu za upotrebu.

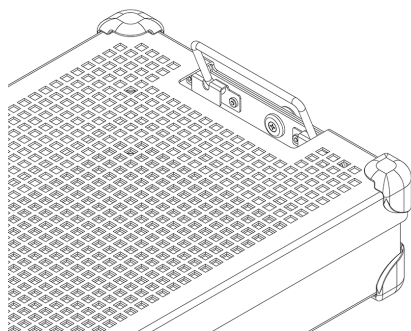
1. Pre nego što stavite kasetu u metalnu posudu, proverite da li ima odgovarajuću nožicu. Metalna posuda treba da se koristi sa TF nožicom. Pogledajte **sliku F**.
2. Postavite kasetu u metalnu posudu. Pratite uputstva proizvođača posude i zatvorite je.
Napomena: Nemojte da pakujete kasete pre stavljanja u posudu za sterilizaciju.
3. Sterilišite posudu i sadržaj jednim od postupaka sterilizacije navedenim u uputstvu za upotrebu.

Dodatne informacije:

Da biste izvadili kasetu iz metalne posude i očuvali sterilnost, pratite uputstva za upotrebu proizvođača posude.

1. Navucite rukavice na šake, okrenite dlanove ka spolja i zavucite šake kroz otvore na poklopcu kasete.
2. Uхватite drške kasete i podignite ih. Pogledajte **sliku G**.

Slika G.



3. Nagnite drške prema unutra, dalje od ivica metalne posude i podignite kasetu iz posude vodeći računa da ne dodirnete vrh ili spoljašnjost posude.
4. Stavite kasetu na sterilnu površinu.

STERILIZACIJA

U **tabeli 2** potražite parametre za sterilizaciju koji su provereni za sterilizaciju InstruSafe sistema.

Tabela 2.

METOD STERILIZACIJE	CIKLUS (vreme)
Vodena para pod pritiskom	Parametar: Temperatura 270°F (132°C) Vreme izlaganja 4 minuta Vreme sušenja 30 minuta
Etilen-oksikom (EO)	Prethodna obrada: Temperatura 131°F (55°C) Relativna vlažnost 70 ± 15% Vreme za prethodnu obradu 1 sat Sterilizacija: Vreme izlaganja 120 minuta Temperatura 131°F (55°C) Vreme provetranja 12 sati
STERRAD 100S	<i>Standard</i>
STERRAD 100NX	<i>Standard, Express, Flex</i>
STERRAD NX	<i>Standard</i>
STERIS AMSCO V-PRO 1	<i>Standard</i>
STERIS AMSCO V-PRO 1 PLUS	<i>Šupljine, bez šupljina</i>
STERIS AMSCO V-PRO maX	<i>Šupljine, bez šupljina</i>
STERIS AMSCO V-PRO maX 2	<i>Šupljine, bez šupljina</i>
Sterizone VP4	<i>Ciklus 1</i>

Kompanija Summit Medical je odobrila sledeće metode sterilizacije:

- Četvorominutni ciklus sterilizacije u autoklavu u materijalu za pakovanje koji je dostupan na tržištu, InstruSafe posudi za sterilizaciju, Aesculap metalnoj posudi ili Genesis metalnoj posudi koje je odobrila FDA. U skladu sa K180528, InstruSafe posuda za sterilizaciju potvrđena je za upotrebu sa kasetama/tacnama InstruSafe sistema za zaštitu instrumenata.
- Ciklus sterilizacije etilen-oksikom u materijalu za pakovanje koji je dostupan na tržištu ili Genesis metalnoj posudi koje je odobrila FDA.
- Ciklus sterilizacije u sistemu STERRAD 100S Standard u materijalu za pakovanje koji je dostupan na tržištu ili Aesculap metalnoj posudi koje je odobrila FDA.
- Ciklus sterilizacije u sistemu STERRAD 100NX Standard u materijalu za pakovanje koji je dostupan na tržištu ili Aesculap metalnoj posudi koje je odobrila FDA.
- Ciklus sterilizacije u sistemu STERRAD 100NX Express u materijalu za pakovanje koji je odobrila FDA.
- Ciklus sterilizacije u sistemu STERRAD 100NX Flex u materijalu za pakovanje koji je dostupan na tržištu ili Aesculap metalnoj posudi koje je odobrila FDA.
- Ciklus sterilizacije u sistemu STERRAD NX Standard u materijalu za pakovanje koji je dostupan na tržištu i Aesculap metalnoj posudi koje je odobrila FDA.
- Ciklusi sterilizacije STERIS AMSCO V-PRO, V-PRO 1 PLUS, V-PRO maX i V-PRO maX 2 u materijalu za pakovanje koji je dostupan na tržištu ili u Aesculap metalnoj posudi koje je odobrila FDA.
- Ciklus sterilizacije u sistemu Sterizone VP4 u materijalu za pakovanje koji je dostupan na tržištu i Aesculap metalnoj posudi koje je odobrila FDA.

NEMOJTE da premašujete nosivost posude za sterilizaciju koju je odredio proizvođač.

Da biste očuvali sterilnost, koristite dodatak koji je odobrila agencija FDA.

Potražite u uputstvu za rukovanje sterilizatorom koja su predviđena opterećenja kompatibilna sa određenim ciklusom sterilizacije.

U uputstvu za upotrebu posude potražite koje je predviđeno opterećenje kompatibilno sa opterećenjima koja je za datu posudu odobrila FDA.

INDIKACIJE ZA UPOTREBU

4-minutna sterilizacija vodenom parom, pakovanje i Aesculap® metalna posuda

Kasete InstruSafe® sistema za zaštitu instrumenata se koriste za organizovanje i zaštitu drugih medicinskih uređaja koje sterilišu zdravstveni radnici. Namena kasete InstruSafe sistema za zaštitu instrumenata je omogućavanje sterilizacije sadržanih medicinskih uređaja tokom ciklusa sterilizacije vodenom parom pod pritiskom. Kasete InstruSafe sistema za zaštitu instrumenata namenjene su da se koriste zajedno sa materijalom za pakovanje koji je dostupan na tržištu ili Aesculap metalnom posudom. Kasete InstruSafe sistema za zaštitu instrumenata nisu namenjene da same po sebi održavaju sterilnost.

Parametar sterilizacije u autoklavu	
Ciklus	Pod pritiskom
Temperatura	270°F (132°C)
Vreme izlaganja	4 minuta
Minimalno vreme sušenja	30 minuta
Model Summit kasete	Model Aesculap posude
IN-8823-AE	*JN444
IN-2880	*JK444
IN-6105	*JN742
<i>*Potvrdila kompanija Summit Medical za korišćenje SAMO u sterilizatorima koji rade po principu sterilizacije vodenom parom pod pritiskom na temperaturi 270°F (132°C) i sa vremenom izlaganja od 4 minuta. U uputstvu za upotrebu posude proverite da sadržaj ne premašuje uslove za predviđeno opterećenje posude za sterilizaciju.</i>	

Uslovi za šupljine kod 4-minutnog ciklusa sterilizacije vodenom parom pod pritiskom			
Model Summit kasete	Minimalni unutrašnji prečnik	Maksimalna dužina	Broj šupljina
IN-8823-CF	3 mm	400 mm	4
IN-8823-CF	3 mm	200 mm	2
IN-2880	1 mm	76 mm	2
IN-2880	3 mm	177 mm	1
IN-6105	5 mm	241 mm	1
IN-2681	1 mm	65 mm	1
IN-2681	3 mm	200 mm	1
IN-7823	1 mm	400 mm	17

4-minutna sterilizacija vodenom parom, Genesis™ metalna posuda

Kasete InstruSafe® sistema za zaštitu instrumenata se koriste za organizovanje i zaštitu drugih medicinskih uređaja koje sterilišu zdravstveni radnici. Namena kasete InstruSafe sistema za zaštitu instrumenata je omogućavanje sterilizacije sadržanih medicinskih uređaja tokom ciklusa sterilizacije vodenom parom pod pritiskom. Kasete InstruSafe sistema za zaštitu instrumenata namenjene su da se koriste zajedno sa Genesis metalnim posudama koje su dostupne na tržištu. Kasete InstruSafe sistema za zaštitu instrumenata nisu namenjene da same po sebi održavaju sterilnost. Celokupna lista modela uređaja navedena je u dodatku A.

Uslovi za šupljine kod 4-minutnog ciklusa sterilizacije vodenom parom pod pritiskom			
Model Summit kasete	Minimalni unutrašnji prečnik	Maksimalna dužina	Broj šupljina
IN-2681	1 mm	65 mm	1
IN-2681	3 mm	200 mm	1
IN-6105	5 mm	241 mm	1
IN-0000	1 mm	400 mm	5
	3 mm	400 mm	1
	5 mm	400 mm	1

INDIKACIJE ZA UPOTREBU (nastavak)

8-minutna sterilizacija vodenom parom i etilen-oksikom (EO), pakovanje i Genesis™ metalna posuda

Kasete InstruSafe® sistema za zaštitu instrumenata koriste se za organizovanje i zaštitu drugih medicinskih uređaja koje sterilizuju zdravstveni radnici. Namena kasete InstruSafe sistema je omogućavanje sterilizacije sadržanih medicinskih uređaja tokom ciklusa sterilizacije vodenom parom pod pritiskom ili etilen-oksikom. Kasete InstruSafe sistema namenjene su da se koriste zajedno sa centralnim materijalom za pakovanje koji je dostupan na tržištu ili Genesis metalnom posudom. Kasete InstruSafe sistema nisu namenjene da same po sebi održavaju sterilnost.

Metode sterilizacije i konfiguracije

Prethodna obrada kod 8-minutne sterilizacije parom na 132°C	
Pakovanje od tkanog tekstila od 140 vlakana	Vreme sušenja od 10 minuta
Pakovanje od netkanog tekstila (Kimberly Clark)	Vreme sušenja od 50 minuta
Genesis posuda (filter papir koji se koristi naveden je u tabeli 1)	Vreme sušenja od 30 minuta

Etilen-oksikom (EO)
<ul style="list-style-type: none"> ▪ 1 sat prethodne obrade na 131°F (55°C) uz relativnu vlažnost od 70 ± 15% ▪ 2 sata izlaganja na 131°F (55°C) ▪ 12 sati provetravanja

Genesis posuda	Filter papir za Genesis posudu
CD2-4B	FX3-1: 9×9"
CD2-5B	FX3-1: 9×9"
CD3-4B	FX3-1: 9×9"
CD3-5B	FX3-1: 9×9"
CD3-6B	FX3-1: 9×9"
CD3-7B	FX3-1: 9×9"
CD4-5B	FO3-2: 9×6"
CD5-61B	FO3-2: 9×6"
CD6-6B	FX3-1: 9×9"

Prilikom korišćenja Genesis metalne posude, pratite korisničko uputstvo za rad za sistem V. Mueller Genesis Sterilizer Container.

STERRAD® 100S & STERRAD® 100NX® Standard ciklusi, pakovanje i Aesculap® metalna posuda

Kasete InstruSafe® sistema za zaštitu instrumenata se koriste za organizovanje i zaštitu drugih medicinskih uređaja koje sterilizuju zdravstveni radnici. Namena kasete InstruSafe sistema za zaštitu instrumenata je omogućavanje sterilizacije sadržanih medicinskih uređaja tokom Standard ciklusa sterilizacije u sistemima Sterrad 100S i Sterrad 100NX. Kasete InstruSafe sistema za zaštitu instrumenata namenjene su da se koriste zajedno sa materijalom za pakovanje koji je dostupan na tržištu ili Aesculap metalnom posudom. Kasete InstruSafe sistema za zaštitu instrumenata nisu namenjene da same po sebi održavaju sterilnost. Celokupna lista modela uređaja navedena je u dodatku A.

Sledeće tacne za sterilizaciju su potvrđene za korišćenje sa odgovarajućim metalnim posudama:

Standard ciklus u sistemu STERRAD 100S	
Model Summit kasete	Model Aesculap posude
IN-8823-AE	*JM444
IN-6105	*JM440

Standard ciklus u sistemu STERRAD 100NX	
Model Summit kasete	Model Aesculap posude
IN-8823-AE	*JM444
IN-6105	*JM440

*Potvrdila kompanija Summit Medical za korišćenje SAMO sa Standard ciklusima u sistemima STERRAD 100S i STERRAD 100NX. U uputstvu za upotrebu posude proverite da sadržaj ne premašuje uslove za predviđeno opterećenje posude za sterilizaciju.

Uslovi za šupljine kod Standard ciklusa u sistemima STERRAD 100S i STERRAD 100NX	
4 šupljina od nerđajućeg čelika sa unutrašnjim prečnikom od 3 mm i dužinom od 400 mm	Svi modeli odgovarajuće veličine navedeni su u dodatku A sa izuzetkom modela IN-2681.
2 šupljine od nerđajućeg čelika sa unutrašnjim prečnikom od 3 mm i dužinom od 200 mm	
1 šupljina od nerđajućeg čelika sa unutrašnjim prečnikom od 3 mm i dužinom od 200 mm	IN-2681
1 šupljina od nerđajućeg čelika sa unutrašnjim prečnikom od 1 mm i dužinom od 65mm	

INDIKACIJE ZA UPOTREBU (nastavak)

STERRAD[®] NX[®] Standard ciklus, pakovanje i Aesculap[®] metalna posuda

Kasete InstruSafe[®] sistema za zaštitu instrumenata se koriste za organizovanje i zaštitu drugih medicinskih uređaja koje sterilišu zdravstveni radnici. Namena kasete InstruSafe sistema za zaštitu instrumenata je omogućavanje sterilizacije sadržanih medicinskih uređaja tokom standardnog ciklusa sterilizacije u sistemu Sterrad NX. Kasete InstruSafe sistema za zaštitu instrumenata namenjene su da se koriste zajedno sa materijalom za pakovanje koji je dostupan na tržištu ili Aesculap metalnom posudom. Kasete InstruSafe sistema za zaštitu instrumenata nisu namenjene da same po sebi održavaju sterilnost. Celokupna lista modela uređaja navedena je u dodatku A.

Metode sterilizacije i konfiguracije

– Standard ciklus sterilizacije u sistemu Sterrad NX

Uslovi za šupljine kod standardnog ciklusa sterilizacije u sistemu STERRAD NX			
Model Summit kasete	Minimalni unutrašnji prečnik	Maksimalna dužina	Broj šupljina
IN-2681	1 mm	65 mm	1
IN-2681	3 mm	200 mm	1
IN-8987-S	1 mm	500 mm	5
IN-8615	2,3 mm	210 mm	5
IN-6105	4 mm	235 mm	1

Napomena: Najgori slučaj potvrđenog opterećenja na osnovu proračuna ventilacije i zapremine predstavlja tačna IN-2681.

STERRAD[®] 100NX[®] Express ciklus, pakovanje

Kasete InstruSafe[®] sistema za zaštitu instrumenata se koriste za organizovanje i zaštitu drugih medicinskih uređaja koje sterilišu zdravstveni radnici. Namena kasete InstruSafe sistema za zaštitu instrumenata je omogućavanje sterilizacije sadržanih medicinskih uređaja tokom Express ciklusa sterilizacije u sistemu Sterrad[®] 100NX. Kasete InstruSafe sistema za zaštitu instrumenata namenjene su da se koriste zajedno sa materijalom za pakovanje koji je dostupan na tržištu. Kasete InstruSafe sistema za zaštitu instrumenata nisu namenjene da same po sebi održavaju sterilnost. Kada je reč o sterilizaciji InstruSafe sistema za zaštitu instrumenata Express ciklusom u sistemu Sterrad 100NX, ne postoje uslovi za šupljine.

STERRAD[®] 100NX[®] Flex ciklus sterilizacije, pakovanje i Aesculap[®] metalna posuda

Kasete InstruSafe[®] sistema za zaštitu instrumenata se koriste za organizovanje i zaštitu drugih medicinskih uređaja koje sterilišu zdravstveni radnici. Namena kasete InstruSafe sistema za zaštitu instrumenata je omogućavanje sterilizacije sadržanih medicinskih uređaja tokom Flex ciklusa sterilizacije u sistemu Sterrad 100NX. Kasete InstruSafe sistema za zaštitu instrumenata namenjene su da se koriste zajedno sa materijalom za pakovanje koji je dostupan na tržištu ili Aesculap metalnom posudom. Kasete InstruSafe sistema za zaštitu instrumenata nisu namenjene da same po sebi održavaju sterilnost. Celokupna lista modela uređaja navedena je u dodatku A.

STERRAD 100NX Flex ciklus sterilizacije	
Model Summit kasete	Model Aesculap posude
IN-0000	*JM440
IN-6105	*JM440

**Potvrdila kompanija Summit Medical za korišćenje SAMO sa Flexm ciklusom u sistemu STERRAD 100NX. U uputstvu za upotrebu posude proverite da sadržaj ne premašuje uslove za predviđeno opterećenje posude za sterilizaciju.*

Uslovi za šupljine kod Flex ciklusa sterilizacije u sistemu STERRAD 100NX				
Model Summit kasete	Minimalni unutrašnji prečnik	Maksimalna dužina	Broj šupljina	Pakovanje/metalna posuda
IN-0000	1 mm	850 mm	1	Pakovanje + metalna posuda
IN-8823	1 mm	850 mm	1	Pakovanje + metalna posuda
IN-7344	1 mm	850 mm	1	Pakovanje
IN-6105	4 mm	235 mm	1	Pakovanje + metalna posuda

Najgori slučaj potvrđenog opterećenja na osnovu proračuna ventilacije i zapremine predstavlja tačna IN-0000.

Napomena: Tačna IN-0000 služi samo za testiranje.

INDIKACIJE ZA UPOTREBU (nastavak)

Ciklusi sterilizacije niskim temperaturama u sistemu AMSCO® V-PRO®, pakovanje i Aesculap® metalne posude

Kasete InstruSafe® sistema za zaštitu instrumenata koriste se za organizovanje i zaštitu drugih medicinskih uređaja koje sterilišu zdravstveni radnici. Namena kasete InstruSafe sistema za zaštitu instrumenata je omogućavanje sterilizacije sadržanih medicinskih uređaja tokom ciklusa sterilizacije niskim temperaturama u sistemu Amsco V-PRO. Kasete InstruSafe sistema za zaštitu instrumenata namenjene su da se koriste zajedno sa materijalom za pakovanje koji je dostupan na tržištu ili Aesculap metalnom posudom. Kasete InstruSafe sistema za zaštitu instrumenata nisu namenjene da same po sebi održavaju sterilnost. Celokupna lista modela uređaja navedena je u dodatku A.

AMSCO V-PRO sistemi za sterilizaciju niskim temperaturama			
Sterilizator	Standardni ciklus	Ciklus za šupljine	Ciklus bez šupljina
V-PRO 1	X	Nije primenljivo	Nije primenljivo
V-PRO 1 PLUS	Nije primenljivo	X	X
V-PRO maX	Nije primenljivo	X	X
V-PRO maX 2	Nije primenljivo	X	X
Model Summit kasete		Model Aesculap posude	
IN-8823		*JM444	
IN-6105		*JM742	

**Potvrdila kompanija Summit Medical za korišćenje SAMO sa AMSCO V-PRO sistemima za sterilizaciju niskim temperaturama. Prilikom korišćenja Aesculap posude kao sterilne pregrade, opterećenje (Summit tacna i sadržaj) ne bi trebalo da premašuje ograničenja za opterećenje posude koji se odnose na visinu ili vrstu sadržaja.*

Veličina šupljine instrumenata koja je odobrena obuhvata:			
Model Summit kasete	Minimalni unutrašnji prečnik	Maksimalna dužina	Broj šupljina
IN-8823	3 mm	400 mm	2
IN-6105	3 mm	200 mm	1
IN-2681	1 mm	64 mm	1

Napomena: Najgori slučaj potvrđenog opterećenja na osnovu proračuna ventilacije i zapremine predstavlja tacna IN-2681.

INDIKACIJE ZA UPOTREBU (nastavak)

VP4 Sterizone, materijal za pakovanje i Aesculap® čvrsta posuda

Kasete i tačne InstruSafe® sistema za zaštitu instrumenata koriste se za organizovanje i zaštitu drugih medicinskih sredstava koje sterilišu zdravstveni radnici. Namena kasete InstruSafe sistema za zaštitu instrumenata je omogućavanje sterilizacije sadržanih medicinskih uređaja tokom sterilizacije STERIZONE VP4 u ciklusu 1. Kasete InstruSafe sistema za zaštitu instrumenata namenjene su da se koriste zajedno sa materijalom za pakovanje koji je dostupan na tržištu ili Aesculap metalnom posudom. Kasete InstruSafe sistema za zaštitu instrumenata nisu namenjene da same po sebi održavaju sterilnost.

Kompanija Summit Medical je potvrdila upotrebu kasete InstruSafe sistema zaštite instrumenata u ciklusu 1 sterilizatora STERIZONE VP4 putem demonstracija efikasnosti sterilizacije korišćenjem reprezentativnih uzoraka medicinskih sredstava, uključujući opšte instrumente, čvrste i polučvrste instrumente sa lumenima i fleksibilne endoskope. Proces potvrđivanja je pružio informacije koje su korišćene da bi se uspostavila ograničenja dizajna koja su primenjena u celom asortimanu kasete InstruSafe sistema zaštite instrumenata da bi se osiguralo da svi modeli budu u okviru potvrđenih granica za ventilaciju kasete, raspoređivanje na internim policama i težinu:

- Minimalni odnos ventilacije i zapremine, opšti instrumenti: 0,073
- Minimalni odnos ventilacije i zapremine, fleksibilni endoskopi: 0,263
- Minimalni broj unutrašnjih policama: Dve (2)
- Maksimalna težina kasete (uključujući sadržaj): 25 lbs po kaseti

Pogledajte tabelu u nastavku za potvrđene količine instrumenata za korišćenje sa kasetama InstruSafe sistema zaštite instrumenata. Pogledajte uputstvo za upotrebu koje daje proizvođač sterilizatora da biste se uverili da količina instrumenata ne prekoračuje potvrđene granice za sterilizator.

Opis količine instrumenata za InstruSafe sistem zaštite instrumenata.

Primer za količinu instrumenata za potvrđivanje kod sterilizatora STERIZONE® VP4, br. (K190260)	Opis količine instrumenata za potvrđivanje, Summit Medical	Ukupna težina instrumenata (ne uključujući policu za ubacivanje težine 25 lbs)
4	<p>Količina instrumenata 4a: Sastojala se od ograničenja količine za čvrste i polučvrste instrumente sa kanalima:</p> <ul style="list-style-type: none"> • Tri (3) polučvrsta endoskopa sa dvostrukim kanalom (ureteroskop – 0,7 mm × 500 mm i 1,1 mm × 500 mm) su zapakovani, jedan (1) po kaseti u tri (3) IN 7323-R kasete. • Dodatni čvrsti instrumenti sa kanalom dodati su da bi se dostigao ukupan broj od 15 kanala. <p>Svaka kasete sadržala je odgovarajuće silikonske držače instrumenta i bila je umotana.</p> <p>Količina instrumenata 4b: Sastojala se od ograničenja količine za čvrste i polučvrste instrumente sa kanalima:</p> <ul style="list-style-type: none"> • Tri (3) polučvrsta endoskopa sa dvostrukim kanalom (ureteroskop – 0,7 mm × 400 mm i 1,1 mm × 400 mm) su zapakovani, jedan (1) po kaseti u tri (3) IN-0007-TF kasete. • Dodatni čvrsti instrumenti sa kanalom dodati su da bi se dostigao ukupan broj od 15 kanala. <p>Svaka kasete sadržala je odgovarajuće silikonske držače instrumenata i bila je postavljena u Aesculap JM440 čvrstu posudu.</p>	<p>Količina instrumenata 4a = 5 lbs po kaseti, 15 lbs ukupno</p> <p>Opterećenje 4b = 11 lbs po kaseti, 33 lbs ukupno</p>
7	<p>Količina instrumenata za potvrđivanje a, Summit Medical: Sastojala se od težinskog ograničenja za količinu opštih medicinskih instrumenata sa sledećim geometrijama:</p> <ul style="list-style-type: none"> • Šarka za preklopnu kutiju • Okretna šarka • Luer-lock <p>Opšti medicinski instrumenti bili su rašireni na tri (3) IN-7323-R kasete sa odgovarajućim silikonskim držačima, od kojih je svaka težila 25 lbs. Kasete su bile umotane.</p> <p>Količina instrumenata za potvrđivanje 7b, Summit Medical: Sastojala se od težinskog ograničenja za količinu opštih medicinskih instrumenata sa sledećim geometrijama:</p> <ul style="list-style-type: none"> • Šarka za preklopnu kutiju • Okretna šarka • Luer-lock <p>Opšti medicinski instrumenti bili su rašireni na tri (3) IN-0006-TF kasete sa odgovarajućim silikonskim držačima. Kasete su bile postavljene u Aesculap JM440 posude od kojih je svaka težila 25 lbs.</p>	<p>Opterećenje 7a = 25 lbs po kaseti, 75 lbs ukupno</p> <p>Količina instrumenata 7b = 25 lbs po kaseti, 75 lbs ukupno</p>
8	<p>Količina instrumenata za potvrđivanje 8a, Summit Medical: Sastojala se od ograničenja količine instrumenata od ukupno pet (5) kanala fleksibilnih endoskopa u umotanim kasetama:</p> <ul style="list-style-type: none"> • Dva (2) fleksibilna endoskopa sa dvostrukim kanalom (ureteroskopi – 1 mm × 850 mm i 1 mm × 989 mm) su zapakovani, jedan (1) po kaseti u kasetama IN-0003-R. • Jedan (1) fleksibilni endoskop sa jednim kanalom (ureteroskop – 1 mm × 850 mm) zapakovan je u kaseti IN-0004-R. <p>Kasete su sadržale odgovarajuće silikonske držače i bile su umotane.</p> <p>Količina instrumenata za potvrđivanje 8b, Summit Medical: Sastojala se od ograničenja količine instrumenata od ukupno četiri (4) kanala fleksibilnih endoskopa u kasetama u čvrstim posudama:</p> <ul style="list-style-type: none"> • Dva (2) fleksibilna endoskopa sa dvostrukim kanalom (ureteroskop – 1 mm × 850 mm i 1 mm × 989 mm) su zapakovani, jedan (1) po kaseti u kasetama IN-0003-TF sa odgovarajućim silikonskim držačima. <p>Svaka kasete bila je postavljena u posudi Aesculap JM442.</p>	<p>Količina instrumenata 8a = 4,3 lbs po kaseti, 13 lbs ukupno</p> <p>Opterećenje 8b = 8,3 lbs po kaseti, 25 lbs ukupno</p>

SKLADIŠTENJE

Stalno sterilne kasete koje su upakovane ili spremljene u posudu čuvajte na skladišnim policama u horizontalnom položaju. Informacije o trajnosti proizvoda potražite kod proizvođača materijala za pakovanje ili posuda.

ODLAGANJE

U slučaju da InstruSafe® sistemi za zaštitu instrumenata ne prođu pregled pre upotrebe ili budu otpisani na drugi način, uređaje treba odložiti u skladu sa lokalnim propisima. Način odlaganja zavisi od potencijalnih rizika od unakrsne kontaminacije i infekcije kad se utvrdi neophodnost odlaganja.

PRIJAVLJIVANJE TEŠKIH INCIDENATA

Svaki teži incident u vezi sa uređajem treba prijaviti proizvođaču i FDA/ovlašćenom organu države članice u kojoj se nalazi korisnik i/ili pacijent.

GARANCIJA

OGRANIČENA GARANCIJA ZA INSTRUSAFE SISTEM ZA ZAŠTITU INSTRUMENATA KOMPANIJE SUMMIT MEDICAL.

OVA OGRANIČENA GARANCIJA I OVDE NAVEDENI PRAVNI LEKOVI SU ISKLJUČIVI I VAŽE U MESTO SVIH OSTALIH IZRIČITIH GARANCIJA. TAKOĐE, OSIM AKO JE OVDE DRUGAČIJE NAVEDENO, SVE IZJAVE ILI TVRDNJE DRUGIH LICA ILI PREDUZEĆA SU NEVAŽEĆE. TRAJANJE SVIH IZRIČITIH GARANCIJA NA POGODNOST ZA PRODAJU ILI PODESNOST ZA ODREĐENU UPOTREBU BIĆE OGRANIČENO NA TRAJANJE IZRIČITE OGRANIČENE GARANCIJE. KOMPANIJA SUMMIT MEDICAL I NJENA POVEZANA DRUŠTVA NEĆE BITI ODGOVORNI NI ZA KOJI SLUČAJNI, POSLEDIČNI ILI POSEBNI GUBITAK ILI ŠTETU DO KOJIH DOĐE USLED KORIŠĆENJA ILI NEMOGUĆNOSTI KORIŠĆENJA INSTRUSAFE SISTEMA, BEZ OBZIRA NA TO DA LI JE DO NJIH DOĐE ZBOG KRŠENJA GARANCIJE ILI BILO KOG DRUGOG PRAVNOG OSNOVA.

Ova ograničena garancija vam daje određena zakonska prava, a možda imate i neka druga prava, u zavisnosti od države. Neke države ne dopuštaju da se ograničava trajanje pretpostavljene garancije niti dozvoljavaju izuzeće od slučajnih ili posledičnih šteta ili njihovo ograničavanje, tako da se navedeno ograničenje ili izuzeće možda ne odnosi na vas.

Šta je pokriveno? Summit Medical u periodu od 12 meseci od datuma originalne kupovine garantuje originalnom kupcu da je priloženi InstruSafe sistem sa svojom ograničenom garancijom u skladu sa specifikacijama proizvođača i da na njemu nema grešaka pri izradi i u materijalu. Ukoliko originalni kupac prenese InstruSafe sistem drugoj strani, ova ograničena garancija neće biti primenjiva na stranu na koju se proizvod prenese.

Šta ćemo da uradimo kako bismo otklonili probleme? Ako se vaš InstruSafe sistem pokaže neispravnim tokom ovog perioda, neophodno je da obavestite kompaniju Summit Medical ili ovlašćenog distributera ili predstavnika kompanije Summit Medical. Morate da dozvolite kompaniji Summit Medical ili njenim predstavnicima da sprovedu istragu, pregled i testiranje na način na koji Summit Medical smatra podesnim i, ukoliko to bude zatraženo od vas, da vratite proizvod u fabriku na adresu navedenu ispod. Jedina obaveza kompanije Summit Medical u okviru ove ograničene garancije je da, po svom nahođenju, popravi ili zameni neispravn proizvod ili proizvode bez naplate delova ili popravke. Poštarina, osiguranje ili troškovi slanja prilikom predaje proizvoda InstruSafe sistema na servis pokriven garancijom predstavljaju vašu obavezu.

Šta nije pokriveno? Ova ograničena garancija je povezana sa pravilnom upotrebom i održavanjem proizvoda. Ne pokriva proizvode koji su nepravilno transportovani, odnosno one koji su pogrešno upotrebljavani, zloupotrebljavani, zapostavljeni ili nepropisno održavani, čišćeni ili skladišteni, tj. one koje nije servisirala kompanija Summit Medical ili ovlašćeni distributer ili predstavnik kompanije Summit Medical, odnosno one koji su modifikovani bez izričite dozvole kompanije Summit Medical. Nepoštovanje uputstava iz korisničkog priručnika može da predstavlja nepravilnu upotrebu ili održavanje proizvoda i da dovede do toga da ova ograničena garancija ne važi. Ova garancija ne obuhvata uobičajeno habanje ili zamenu delova.

Ukoliko imate pitanja ili zahteve u vezi sa ovom garancijom, podaci za kontakt su:

Odeljenje za podršku korisnicima
Summit Medical
815 Vikings Parkway, Suite 100
St. Paul, MN 55121 | SAD
www.instrusafe.com

TELEFON: 651-789-3939 | 888-229-2875
FAX: 651-789-3979 | 888-229-1941
ADRESA E-POŠTE: customerservice@innoviamedical.com

Pateiktus nurodymus prietaiso gamintojas patvirtino kaip tinkamus apdorojant daugkartinio naudojimo medicinos prietaisus.

Individualūs sterilizatoriai, instrumentų švara, konkretus sudėjimas į instrumentų padėklus, instrumentų tipai ir geometrija, sterilizavimo konteineriai, filtrai ir įvyniojimo medžiagos skiriasi kiekvienoje vietoje.

PERSKAITYKITE ŠĮ SKYRIŲ PRIEŠ PRADĖDAMI EKSPLOATUOTI GAMINĮ

PASKIRTIS IR (ARBA) NAUDOJIMO PASKIRTIES SANTRAUKA

Instrumentų apsaugos sistemų kasetės / padėklai „InstruSafe“ skirti daugkartiniams medicinos prietaisams laikyti ir apsaugoti juos transportuojant, sterilizuojant ir laikant. Instrumentų apsaugos sistemos kasetės / padėklai „InstruSafe“ naudojami kitiems sveikatos priežiūros paslaugų teikėjo sterilizuojamiems medicinos prietaisams tvarkingai sudėti ir apsaugoti. Instrumentų apsaugos sistemos kasetės / padėklai „InstruSafe“ skirti naudoti sterilizuojant į juos sudėtus medicinos prietaisus taikant šiuos sterilizavimo ciklus:

- sterilizuojant garais su pirminiu vakuuminio oro pašalinimu (ISO 17665-1 ir EN 285);
- sterilizuojant etileno oksidu (ISO 11135);
- atliekant patvirtintą sterilizavimą žemoje temperatūroje (ISO 14937), t. y.
 - „STERRAD® 100S Standard“ (trumpąjį ciklą);
 - „STERIS® AMSCO® V-PRO 1“[®], „V-PRO 1 Plus“, „V-PRO maX“ ir „V-PRO maX 2“[®];
 - „STERRAD® 100NX® Express“, „Standard“ ir „Flex“;
 - „Sterizone® VP4“;
 - „STERRAD® NX® Standard“.

Instrumentų apsaugos sistemos kasetės / padėklai „InstruSafe“ patys vieni sterilumo neišlaiko. Instrumentų apsaugos sistemos kasetės / padėklai „InstruSafe“ skirti naudoti kartu su teisėtai parduodamomis įvyniojimo medžiagomis, kietaisiais konteineriais „Aesculap“ arba kietaisiais konteineriais „Genesis“[™].

„InstruSafe“ sterilizavimo konteineriai buvo patvirtinti naudoti su „InstruSafe“ instrumentų apsaugos sistemos kasetėmis / padėklais (tik taikant pirminį vakuuminį oro pašalinimą, 132 °C (270 °F), 4 minučių sterilizavimo garais ciklu) 510(k) K180528 sąlygomis.

Daugiau informacijos rasite „InstruSafe“ sterilizavimo konteinerio naudojimo instrukcijoje.

Visas prietaisų modelių sąrašas pateikiamas A priede, kurį galima peržiūrėti adresu www.instrusafe.com/ifus.

PRIETAISO APRAŠYMAS

„Summit Medical“ instrumentų apsaugos sistemos „InstruSafe“ – tai kasetės / padėklai, naudojami chirurginiams instrumentams ir instrumentų priedams tvarkingai sudėti ir laikyti vykstant sterilizavimo procesui ir vėliau – sandėliuojant bei transportuojant. Kasetės / padėklai tiesiogiai nesiliečia su pacientu. Pačios (-ys) savaime kasetės / padėklai sterilumo neišlaiko. Kasetės / padėklai yra tos pačios bazinės konfigūracijos, bet skirtingų dydžių: stačiakampis pagrindas su dangčiu, kurį galima užsklēsti. Kasetės / padėklai turi angas, per kurias gali patekti sterilizavimo medžiaga. Kasečių / padėklų pagrinde ir (arba) dangtyje yra silikoniniai įdėklai, skirti laikyti, tvarkingai sudėti ir apsaugoti chirurginius instrumentus kasetėje / padėkle vykstant sterilizavimo procesui ir vėliau – sandėliuojant bei transportuojant.

NUMATYTASIS NAUDOTOJAS

Instrumentų apsaugos sistemos „InstruSafe“ skirtos naudoti sveikatos priežiūros specialistams operacinėje ir sterilizavimo proceso skyriuje medicinos prietaisams transportuoti, sterilizuoti ir laikyti.

APDOROJIMO APRIBOJIMAI

1. Instrumentų apsaugos sistemos „InstruSafe“ naudojimo laikas yra mažiausiai 25 sterilizavimo ciklai. Prieš naudodami apžiūrėkite, ar padėklas nesudėvėjęs ir nepažeistas dėl naudojimo. Nenaudokite, jei yra pastebimų susidėvėjimo požymių, įskaitant koroziją, mechaninius gedimus, įtrūkimus, lupimąsi, sluoksniavimąsi, trūkusias virintines siūles, pažeistas kojeles, pažeistus sklęščius, pažeistus „Hold-Its“ / „Hold-Downs“ , spalvos pokyčius ir kt.
2. Žr. **2 lentelę**, kurioje pateikti sterilizavimo būdai ir konfigūracijos.
3. **NEPERKRAUKITE** sistemų „InstruSafe“ ar komponentų.
4. **NEPERKRAUKITE** atskirų „Hold-Its“ lizdų. Į vieną „Hold-Its“ lizdą dėkite tik vieną instrumentą.
5. Jei naudojamas kietasis konteineris, sistemų „InstruSafe“ arba komponentų **NEGALIMA ĮVYNIOTI** ir sudėti į konteinerį norint sterilizuoti.
6. Sterilizatorių viduje **NEGALIMA DĖTI VIENŲ ANT KITŲ** atskirai įvyniotų arba į konteinerius sudėtų sistemų „InstruSafe“ ar komponentų. Atskirai įvyniotas arba į konteinerius sudėtas sistemas „InstruSafe“ ar komponentus vienus nuo kitų bei nuo kitų daiktų atskirkite dėdami į atskiras sterilizatoriaus lentynas, kad būtų užtikrintas maksimalus sterilizavimo medžiagos srautas.
7. Naudojant nesugeriančius padėklų įdėklus (pvz., silikoninį dygliuotą tvarkymo kilimėlį), gali imti kauptis kondensatas. Jei matoma drėgmė, sterilizuokite pakartotinai džiovindami ilgiau.
8. Bendras konteinerio sistemos (pvz., konteinerio, padėklo ir instrumentų apkrovos) svoris turi neviršyti 11,34 kg (25 svarų).
9. Instrumentus (pvz., endoskopus ir spindžius arba kanalus turinčius instrumentus) reikia paruošti ir sterilizuoti pagal instrumentų gamintojo nurodymus.
10. Tvarkytojas turi išlaikyti specialius patvirtinimus, taikomus baigiamojo sterilizavimo proceso konfigūracijoms, apdorojant instrumentus ir konteinerius, naudojamus sterilizavimo procese.
11. Taip pat peržiūrėkite, ar sterilizatoriaus gamintojo naudojimo instrukcijoje nenustatyta papildomų apribojimų (pvz., matmenų ar svorio apribojimų).

ISPĖJIMAI

- Aliuminio sistemos „InstruSafe“ plaukite tik neutralaus pH (6,0–8,5) plovikliais, kad nepažeistumėte apdailos. Ploviklis, kurio pH labai rūgštinis arba labai šarminis, gali negrįžtamai pažeisti kasetės ir metalinių komponentų anoduoto aliuminio apdailą.
- Nenaudokite, jei pakuotė prieš naudojant buvo pažeista arba netyčia atidaryta.

Pastaba. Prieš pradėdami eksploatuoti kasetes, išplaukite jas ir apžiūrėkite pagal pateiktus nurodymus.

UNIVERSALIOS ATSARGUMO PRIEMONĖS

- Darbuotojai privalo dėvėti visus asmeninius apsauginius drabužius ir įrangą, kaip reikalauja jų darbdavio ir (arba) skyriaus darbo procedūros, taikomos užteršimo lygiui, kuriuo jie bus veikiami.
- Kad išvengtumėte korozijos, sterilizuodami skirtingus metalus laikykite atskirai.

NAUDOJIMO VIETA

Pašalinkite nešvarumus vienkartinėmis šluostėmis / popierinėmis servetėlėmis. Nešvarius komponentus reikia laikyti sudrėkintus, kol bus galima atlikti tinkamus plovimo procesus.

PLOVIMAS

Specialias instrukcijas apie kasečių instrumentų plovimą žr. instrumento gamintojo naudojimo instrukcijoje.

Plaukant kasetę / padėklą, rekomenduojama naudoti vieną iš toliau nurodytų patvirtintų plovimo būdų.

Kad aliuminio kasečių apdaila nebūtų pažeista, naudokite tik neutralaus pH (6,0–8,5) tirpalus be natrio karbonato.

NENAUDOKITE šveitimo kempinėlių ar abrazyvinių valiklių. **NELAIKYKITE** kasetės skystyje.

1. Rankinis švarinimas siekiant pašalinti didžiąją nešvarumų

- Reikalingos medžiagos: neutralaus pH (6,0–8,5) fermentinis ploviklis, šepetys minkštais šeriais ir tekantis vanduo.
- Šepečiu minkštais šeriais pašalinkite visus matomus likučius ir teršalus. Plaunant kasetę, ją reikia mažiausiai 2 minutes palaikyti visiškai panardintą, kad būtų lengviau pašalinti nešvarumus, o ploviklis mažiau taškytųsi ant darbuotojų.
- Mažiausiai 1 minutę kruopščiai skalaukite švari vandeniu, kad pašalintumėte visą ploviklį. Žr. skalavimo nurodymus ploviklio etiketėje.

2. Ultragarsinis valymas

- Paruoškite fermentinį ploviklį ultragarsinėje vonelėje.
- Į ploviklį įdėkite vieną kasetę ir įjunkite vonelę mažiausiai dešimčiai minučių.
- Mažiausiai 2 minutes skalaukite šaltu vandentiekio vandeniu.
- Apžiūrėkite, ar ant kasetės nebeliko teršalų. Jei reikia pašalinti matomus teršalus, pakartokite ciklą.

3. Automatinis plautuvas

Instrumentų apsaugos sistemos „InstruSafe“ patvirtintos automatinės plovimo sistemos ciklui, kuris nurodytas **1 lentelėje**. Konkrečių parametrų kvalifikavimą turės atlikti tvarkytojas.

1 lentelė

CIKLAS	VANDENS TEMPERATŪRA	PLOVIMO PROCESAS
1 ir 2 pirminis plovimas	Šaltas vandentiekio vanduo	Recirkuliacijos trukmė: 2 minutės
Plovimas fermentiniu plovikliu	Karštas vandentiekio vanduo	Mirkymo trukmė: 4 minutės
1 plovimas	Pašildytas iki 65,5 °C (150 °F)	Recirkuliacijos trukmė: 15 minutės
1 ir 2 skalavimas	Karštas vandentiekio vanduo	Recirkuliacijos trukmė: 5 minutės

Pastaba. Pasibaigus automatinio plovimo ciklui apžiūrėkite sistemą „InstruSafe“ (kasetę ir priedus), ar neliko matomų nešvarumų. Prieš išsiunčiant sterilizuoti, visus matomus nešvarumus reikia pašalinti plaunant ar šveičiant rankomis, ultragarsinėje vonelėje arba atliekant papildomus automatinius ciklus.

DEZINFEKAVIMAS

Sistemoms „InstruSafe“ būtinas baigiamasis sterilizavimas.

TECHNINĖ PRIEŽIŪRA, PATIKRA IR BANDYMAI

Sistemas „InstruSafe“ galima naudoti pakartotinai, kol atsiras nepriimtinių pažeidimų, pavyzdžiui, korozija, įtrūkimai, rūdys, lupimasis, sluoksniavimasis, spalvos pasikeitimas ar mechaninis gedimas.

Mechaninio gedimo požymiai

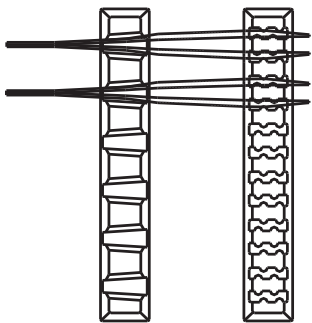
- Trūkę arba įskilę kampai ar virintinės siūlės
- Sulūžę arba neveikiantys skląščiai
- Suplyšę ar perpjauti silikoniniai įdėklai arba jų nebuvimas
- Pažeistos kojelės arba jų nebuvimas

SURINKIMAS

1. Sudėkite instrumentus į iš anksto nustatytus laikiklius arba vietą, apibrėžtą fiksuojamais stulpeliais, kad sterilizavimo medžiaga galėtų paveikti visus instrumento paviršius. Žr. **A pav.** Į vieną lizdą dėkite tik vieną instrumentą. Kai įmanoma, išardykite arba atverkite visas instrumentų dalis pagal instrumento gamintojo nurodymus.

NEPERKRAUKITE laikiklių ir neviršykite kasečių svorio ribų. Žr. A priedą.

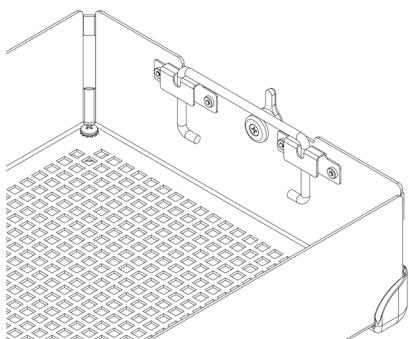
A pav.



Pastaba. Instrumentus (pvz., endoskopus ir spindžius arba kanalus turinčius instrumentus) reikia paruošti ir sterilizuoti pagal instrumentų gamintojo naudojimo nurodymus.

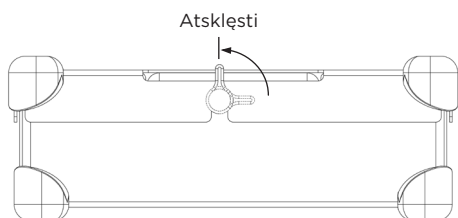
2. Įsitikinkite, kad rankenos yra kasetės viduje (įtrauktos). Parodyta **B pav.**

B pav.



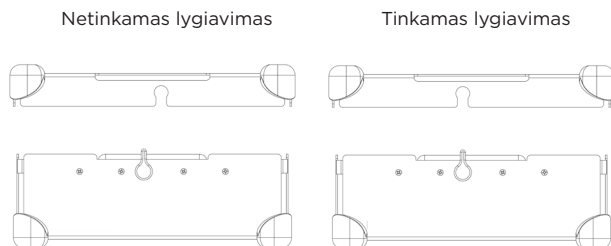
3. Uždėkite kasetės dangtį ant kasetės pagrindo, žiūrėdami, kad skląščiai būtų sulygiuoti su skląščių lizdais kasetės dangtyje, tada uždarykite skląščius. Žr. **C pav.**

C pav.



Pastaba. Skląščiai yra paslinkti taip, kad kasetės dangtis visada tinkamai lygiuotų su pagrindu. Taip užtikrinama, kad uždengus dangtį laikikliai būtų sulygiuoti. **D pav.** parodyta, kaip tinkamai sulygiuoti. **NESPAUSKITE kasetės dangčio ant kasetės pagrindo per jėgą, nes galite pažeisti instrumentus ir kasetę.**

D pav.



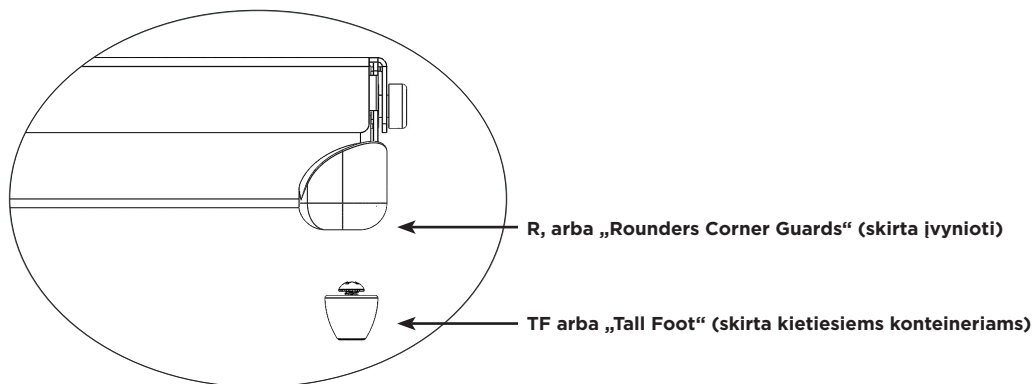
PAKAVIMAS

Sistemas „InstruSafe“ galima įvynioti į teisėtai parduodamą įvyniojimo medžiagą arba sudėti į teisėtai parduodamą kietąjį konteinerį. Žr. naudojimo indikacijas, pateiktas naudojimo instrukcijoje.

Naudojimas su įvyniojimo medžiaga

1. Prieš įvyniodami kasetę įsitikinkite, kad jos kojelės yra tinkamo tipo. R tipo turi būti naudojamos su įvyniojimo medžiaga.
Žr. **F pav.**

F pav.



2. Įvyniokite kasetę, naudodami teisėtai parduodamą įvyniojimo medžiagą ir laikydamiesi įvyniojimo medžiagos gamintojo nurodymų.
3. Sterilizuokite paketą, taikydami vieną iš sterilizavimo ciklų, nurodytų naudojimo instrukcijoje.

Naudojimas su kietuoju konteineriu

Žr. naudojimo indikacijas, pateiktas naudojimo instrukcijoje.

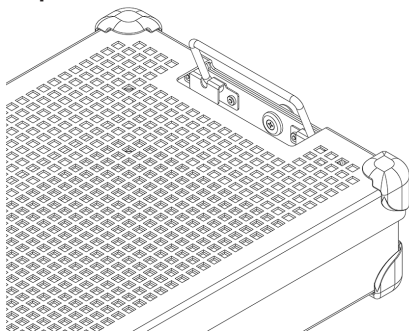
1. Prieš dėdami kasetę į kietąjį konteinerį įsitikinkite, kad jos kojelės yra tinkamo tipo. TF tipo turi būti naudojamos su kietuoju konteineriu.
Žr. **F pav.**
2. Įdėkite kasetę į kietąjį konteinerį. Susandarinkite konteinerį laikydamiesi jo gamintojo nurodymų.
Pastaba. *Neįvyniokite kasečių prieš dėdami į konteinerį sterilizuoti.*
3. Sterilizuokite konteinerį ir jo turinį, taikydami vieną iš sterilizavimo ciklų, nurodytų naudojimo instrukcijoje.

Papildoma informacija

Kaip kasetę išimti iš kietojo konteinerio laikantis aseptikos reikalavimų, žr. konteinerio gamintojo naudojimo instrukcijoje.

1. Mūvėdami pirštines atsukite delnus į išorę ir pasiekite per angas kasetės dangtyje.
2. Suimkite kasetės rankenas ir pakelkite į viršų. Žr. **G pav.**

G pav.



3. Paverskite rankenas į vidų, tolyn nuo kietojo konteinerio šonų, ir iškelkite kasetę iš konteinerio neliesdami konteinerio viršaus arba išorės.
4. Padėkite kasetę ant sterilaus paviršiaus.

STERILIZAVIMAS

Sterilizavimo parametrai, patvirtinti sistemoms „InstruSafe“ sterilizuoti, pateikti **2 lentelėje**.

2 lentelė.

STERILIZAVIMO METODAS	CIKLAS (trukmė)
Sterilizavimo garais su pirminiu vakuuminiu oro pašalinimu	Parametras Temperatūra 132 °C (270 °F) Poveikio trukmė 4 minutės Džiovinimo trukmė 30 minučių
Sterilizavimas etileno oksidu (EO)	Pirminis apdorėjimas Temperatūra 55 °C (131 °F) Santykinis drėgnis 70 ± 15 % Pirminio apdorėjimo trukmė 1 val. Sterilizavimas Poveikio trukmė 120 minučių Temperatūra 55 °C (131 °F) Aeravimo trukmė 12 val.
STERRAD 100S	„Standard“
STERRAD 100NX	„Standard“, „Express“, „Flex“
STERRAD NX	„Standard“
STERIS AMSCO V-PRO 1	„Standard“
STERIS AMSCO V-PRO 1 PLUS	Su spindžiu, be spindžio
STERIS AMSCO V-PRO maX	Su spindžiu, be spindžio
STERIS AMSCO V-PRO maX 2	Su spindžiu, be spindžio
„Sterizone VP4“	1-asis ciklas

„Summit Medical“ yra patvirtinusi toliau nurodytus sterilizavimo metodus.

- 4 minučių sterilizavimo autoklave ciklas teisėtai parduodamoje įvyniojimo medžiagoje, sterilizavimo konteineryje „InstruSafe“, kietajame konteineryje „Aesculap“ arba kietajame konteineryje „Genesis“, patvirtintame FDA. Pagal K180528 sterilizavimo konteineris „InstruSafe“ buvo patvirtintas naudoti su „InstruSafe“ instrumentų apsaugos sistemos kasetėmis / padėklais.
- Sterilizavimo etileno oksidu (EO) ciklas teisėtai parduodamoje įvyniojimo medžiagoje arba steriliame konteineryje „Genesis“, patvirtintame FDA.
- Sterilizavimo ciklas „STERRAD 100S Standard“ teisėtai parduodamoje įvyniojimo medžiagoje arba kietajame konteineryje „Aesculap“, patvirtintame FDA.
- Sterilizavimo ciklas „STERRAD 100NX Standard“ teisėtai parduodamoje įvyniojimo medžiagoje arba kietajame konteineryje „Aesculap“, patvirtintame FDA.
- Sterilizavimo ciklas „STERRAD 100NX Express“ teisėtai parduodamoje įvyniojimo medžiagoje, patvirtintoje FDA.
- Sterilizavimo ciklas „STERRAD 100NX Flex“ teisėtai parduodamoje įvyniojimo medžiagoje arba kietajame konteineryje „Aesculap“, patvirtintame FDA.
- Sterilizavimo ciklas „STERRAD NX Standard“ teisėtai parduodamoje įvyniojimo medžiagoje arba kietajame konteineryje „Aesculap“, patvirtintame FDA.
- Sterilizavimo ciklai „STERIS AMSCO V-PRO 1“, „V-PRO 1 PLUS“, „V-PRO maX“ ir „V-PRO maX 2“ teisėtai parduodamoje įvyniojimo medžiagoje arba kietajame konteineryje „Aesculap“, patvirtintame FDA.
- Sterilizavimo ciklas „Sterizone VP4“ teisėtai parduodamoje įvyniojimo medžiagoje arba kietajame konteineryje „Aesculap“, patvirtintame FDA.

NEVIRŠYKITE gamintojo nurodytos sterilaus konteinerio apkrovos.

Sterilumui išlaikyti naudokite FDA patvirtintą priedą.

Norėdami įsitikinti, kad numatytos apkrovos suderinamos su numatytu sterilizavimo ciklu, skaitykite sterilizatoriaus naudojimo instrukciją.

Perskaitykite konteinerio naudojimo instrukciją ir įsitikinkite, ar numatyta apkrova suderinama su konteineriui FDA patvirtintomis apkrovomis.

NAUDOJIMO PASKIRTIS

4 minučių sterilizavimas garais, įvyniojus ir įdėjus į kietąjį konteinerį „Aesculap®“

Instrumentų apsaugos sistemos kasetės „InstruSafe“ naudojamos kitiems sveikatos priežiūros paslaugų teikėjo sterilizuojamiems medicinos prietaisams tvarkingai sudėti ir apsaugoti. Instrumentų apsaugos sistemos kasetės „InstruSafe“ skirtos naudoti sterilizuojant į jas sudėtus medicinos prietaisus taikant sterilizavimo garais ciklą su pirminiu vakuuminio pašalinimu. Instrumentų apsaugos sistemos kasetės „InstruSafe“ skirtos naudoti kartu su teisėtai parduodama įvyniojimo medžiaga arba kietuoju konteineriu „Aesculap“.

Instrumentų apsaugos sistemos kasetės „InstruSafe“ pačios vienos sterilumo neišlaiko.

Sterilizavimo autoklavu parametrai	
Ciklas	Sterilizavimas su pirminiu vakuuminio oro pašalinimu
Temperatūra	132 °C (270 °F)
Poveikio trukmė	4 minutės
Minimali džiovinimo trukmė	30 minutės
„Summit“ kasetės modelis	Konteinerio „Aesculap“ modelis
IN-8823-AE	* JN444
IN-2880	* JK444
IN-6105	* JN742
* Patvirtinta „Summit Medical“ naudoti TIK su garo sterilizatoriais su pirminiu vakuuminio oro pašalinimu, esant 132 °C (270 °F) ir 4 minutės poveikio trukmei. Žr. konteinerio instrukciją, ar aprova neviršija nurodytos sterilizavimo konteinerio apkrovos.	

Pareiškimai dėl spindžių taikant 4 minučių trukmės sterilizavimo garais ciklą su pirminiu vakuuminio oro pašalinimu			
„Summit“ kasetės modelis	Minimalus vidinis skersmuo	Maksimalus ilgis	Spindžių skaičius
IN-8823-CF	3 mm	400 mm	4
IN-8823-CF	3 mm	200 mm	2
IN-2880	1 mm	76 mm	2
IN-2880	3 mm	177 mm	1
IN-6105	5 mm	241 mm	1
IN-2681	1 mm	65 mm	1
IN-2681	3 mm	200 mm	1
IN-7823	1 mm	400 mm	17

4 minučių sterilizavimas garais, įdėjus į kietąjį konteinerį „Genesis™“

Instrumentų apsaugos sistemos kasetės „InstruSafe“ naudojamos kitiems sveikatos priežiūros paslaugų teikėjo sterilizuojamiems medicinos prietaisams tvarkingai sudėti ir apsaugoti. Instrumentų apsaugos sistemos kasetės „InstruSafe“ skirtos naudoti sterilizuojant į jas sudėtus medicinos prietaisus taikant sterilizavimo garais ciklą su pirminiu vakuuminio pašalinimu. Instrumentų apsaugos sistemos kasetės „InstruSafe“ skirtos naudoti kartu su teisėtai parduodamais kietaisiais konteineriais „Genesis“. Instrumentų apsaugos sistemos kasetės „InstruSafe“ pačios vienos sterilumo neišlaiko. Išsamus prietaiso modelių sąrašas pateiktas A priede.

Pareiškimai dėl spindžių taikant 4 minučių trukmės sterilizavimo garais ciklą su pirminiu vakuuminio oro pašalinimu			
„Summit“ kasetės modelis	Minimalus vidinis skersmuo	Maksimalus ilgis	Spindžių skaičius
IN-2681	1 mm	65 mm	1
IN-2681	3 mm	200 mm	1
IN-6105	5 mm	241 mm	1
IN-0000	1 mm	400 mm	5
	3 mm	400 mm	1
	5 mm	400mm	1

NAUDOJIMO PASKIRTIS (tęsinys)

8 minučių sterilizavimas garais ir etileno oksidu (EO), įvyniojus ir įdėjus į kietąjį konteinerį „Genesis™“

Instrumentų apsaugos sistemos kasetės „InstruSafe™“ naudojamos kitiems sveikatos priežiūros paslaugų teikėjo sterilizuojamiems medicinos prietaisams tvarkingai sudėti ir apsaugoti. Sistemos kasetės „InstruSafe“ skirtos naudoti sterilizuojant į jas sudėtus medicinos prietaisus taikant sterilizavimo garais ciklą su pirminiu vakuuminio pašalinimu arba sterilizavimo etileno oksidu ciklą. Sistemos kasetės „InstruSafe“ skirtos naudoti kartu su centralizuotai teisėtai parduodama įvyniojimo medžiaga arba kietuoju konteineriu „Genesis“.

Sistemos kasetės „InstruSafe“ pačios sterilumo neužtikrina.

Sterilizavimo metodai ir konfigūracijos

8 minučių sterilizavimas garais su pirminiu apdorojimu esant 132 °C	
140 gramatūros austinė įvyniojimo medžiaga	10 minučių džiovinimo trukmė
Neaustinė įvyniojimo medžiaga („Kimberly-Clark“)	50 minučių džiovinimo trukmė
Konteineris „Genesis“ (žr. 1 lentelę, kokį filtrinį popierių naudoti)	30 minučių džiovinimo trukmė

Sterilizavimas etileno oksidu (EO)
<ul style="list-style-type: none"> 1 val. pirminis apdorojimas esant 55 °C (131 °F), santykinis drėgnis 70 ± 15 % 2 val. poveikio trukmė esant 55 °C (131 °F) 12 val. aeravimas

Konteineris „Genesis“	Konteinerio „Genesis“ filtrinis popierius
CD2-4B	FX3-1: 9 x 9 col.
CD2-5B	FX3-1: 9 x 9 col.
CD3-4B	FX3-1: 9 x 9 col.
CD3-5B	FX3-1: 9 x 9 col.
CD3-6B	FX3-1: 9 x 9 col.
CD3-7B	FX3-1: 9 x 9 col.
CD4-5B	FO3-2: 9 x 6 col.
CD5-61B	FO3-2: 9 x 6 col.
CD6-6B	FX3-1: 9 x 9 col.

Naudodami bet kurį kietąjį konteinerį „Genesis“, vadovaukitės „V. Mueller“ sterilizavimo konteinerių sistemos „Genesis“ naudojimo instrukcija.

Ciklai „STERRAD® 100S“ ir „STERRAD® 100NX® Standard“, sterilizavimas įvyniojus ir įdėjus į kietąjį konteinerį „Aesculap®“

Instrumentų apsaugos sistemos kasetės „InstruSafe™“ naudojamos kitiems sveikatos priežiūros paslaugų teikėjo sterilizuojamiems medicinos prietaisams tvarkingai sudėti ir apsaugoti. Instrumentų apsaugos sistemos kasetės „InstruSafe“ skirtos naudoti sterilizuojant į jas sudėtus medicinos prietaisus taikant sterilizavimo ciklus „Sterrad 100S Standard“ ir „Sterrad 100NX Standard“. Instrumentų apsaugos sistemos kasetės „InstruSafe“ skirtos naudoti kartu su teisėtai parduodama įvyniojimo medžiaga arba kietuoju konteineriu „Aesculap“.

Instrumentų apsaugos sistemos kasetės „InstruSafe“ pačios vienos sterilumo neišlaiko. Išsamus prietaiso modelių sąrašas pateiktas A priede.

Su atitinkamais kietaisiais konteineriais patvirtinti toliau nurodyti sterilizavimo padėklai.

Ciklas „STERRAD 100S Standard“	
„Summit“ kasetės modelis	Konteinerio „Aesculap“ modelis
IN-8823-AE	* JM444
IN-6105	* JM440

Ciklas „STERRAD 100NX Standard“	
„Summit“ kasetės modelis	Konteinerio „Aesculap“ modelis
IN-8823-AE	* JM444
IN-6105	* JM440

* Patvirtinta „Summit Medical“ naudoti TIK taikant ciklus „STERRAD 100S Standard“ ir „STERRAD 100NX Standard“. Žr. konteinerio instrukciją, ar aprova neviršija nurodytos sterilizavimo konteinerio aprovos.

Pareiškimai dėl spindžių taikant ciklus „STERRAD 100S Standard“ ir „STERRAD 100NX Standard“	
4 nerūdijančiojo plieno spindis, kurio vidinis skersmuo 3 mm, o ilgis 400 mm	Visi tinkamo dydžio modeliai išvardyti A priede, išskyrus IN-2681.
2 nerūdijančiojo plieno spindis, kurio vidinis skersmuo 3 mm, o ilgis 200 mm	
1 nerūdijančiojo plieno spindis, kurio vidinis skersmuo 3 mm, o ilgis 200 mm	IN-2681
1 nerūdijančiojo plieno spindis, kurio vidinis skersmuo 1mm, o ilgis 65 mm	

NAUDOJIMO PASKIRTIS (tęsinys)

Ciklas „STERRAD® NX® Standard“, sterilizavimas įvyniojus ir įdėjus į kietąjį konteinerį „Aesculap®“

Instrumentų apsaugos sistemos kasetės „InstruSafe™“ naudojamos kitiems sveikatos priežiūros paslaugų teikėjo sterilizuojamiems medicinos prietaisams tvarkingai sudėti ir apsaugoti. Instrumentų apsaugos sistemos kasetės „InstruSafe“ skirtos naudoti sterilizuojant į jas sudėtus medicinos prietaisus taikant sterilizavimo ciklą „Sterrad NX Standard“. Instrumentų apsaugos sistemos kasetės „InstruSafe“ skirtos naudoti kartu su teisėtai parduodama įvyniojimo medžiaga arba kietuoju konteineriu „Aesculap“. Instrumentų apsaugos sistemos kasetės „InstruSafe“ pačios vienos sterilumo neišlaiko. Išsamus prietaiso modelių sąrašas pateiktas A priede.

Sterilizavimo metodai ir konfigūracijos

– Sterilizavimo ciklas „Sterrad NX Standard“

Pareiškimai dėl spindžių taikant sterilizavimo ciklą „STERRAD NX Standard“			
„Summit“ kasetės modelis	Minimalus vidinis skersmuo	Maksimalus ilgis	Spindžių skaičius
IN-2681	1 mm	65 mm	1
IN-2681	3 mm	200 mm	1
IN-8987-S	1 mm	500 mm	5
IN-8615	2,3 mm	210 mm	5
IN-6105	4 mm	235 mm	1

Pastaba. Blogiausiai atveju patvirtinta apkrova, apskaičiuojama pagal oro išleidimo tūrį, yra IN-2681 padėklas.

Ciklas „STERRAD® 100NX® Express“, sterilizavimas įvyniojus

Instrumentų apsaugos sistemos kasetės „InstruSafe™“ naudojamos kitiems sveikatos priežiūros paslaugų teikėjo sterilizuojamiems medicinos prietaisams tvarkingai sudėti ir apsaugoti. Instrumentų apsaugos sistemos kasetės „InstruSafe“ skirtos naudoti sterilizuojant į jas sudėtus medicinos prietaisus taikant ciklą „Sterrad® 100NX Express“. Instrumentų apsaugos sistemos kasetės „InstruSafe“ skirtos naudoti kartu su teisėtai parduodama įvyniojimo medžiaga. Instrumentų apsaugos sistemos kasetės „InstruSafe“ pačios vienos sterilumo neišlaiko. Instrumentų apsaugos sistema „InstruSafe“ neturi pareiškimų dėl spindžių ciklui „Sterrad 100NX Express“.

Sterilizavimo ciklas „STERRAD® 100NX® Flex“, įvyniojus ir įdėjus į kietąjį konteinerį „Aesculap®“

Instrumentų apsaugos sistemos kasetės „InstruSafe™“ naudojamos kitiems sveikatos priežiūros paslaugų teikėjo sterilizuojamiems medicinos prietaisams tvarkingai sudėti ir apsaugoti. Instrumentų apsaugos sistemos kasetės „InstruSafe“ skirtos naudoti sterilizuojant į jas sudėtus medicinos prietaisus taikant sterilizavimo ciklą „Sterrad 100NX Flex“. Instrumentų apsaugos sistemos kasetės „InstruSafe“ skirtos naudoti kartu su teisėtai parduodama įvyniojimo medžiaga arba kietuoju konteineriu „Aesculap“. Instrumentų apsaugos sistemos kasetės „InstruSafe“ pačios vienos sterilumo neišlaiko. Išsamus prietaiso modelių sąrašas pateiktas A priede.

Sterilizavimo ciklas „STERRAD 100NX Flex“	
„Summit“ kasetės modelis	Konteinerio „Aesculap“ modelis
IN-0000	* JM440
IN-6105	* JM440

* Patvirtinta „Summit Medical“ naudoti TIK taikant sterilizavimo ciklą „STERRAD 100NX Flex“. Žr. konteinerio instrukciją, ar apkrova neviršija nurodytos sterilizavimo konteinerio apkrovos.

Pareiškimai dėl spindžių taikant sterilizavimo ciklą „STERRAD 100NX Flex“				
„Summit“ kasetės modelis	Minimalus vidinis skersmuo	Maksimalus ilgis	Spindžių skaičius	Įvyniojimo medžiaga / kietasis konteineris
IN-0000	1 mm	850 mm	1	Įvyniojimo medžiaga + kietasis konteineris
IN-8823	1 mm	850 mm	1	Įvyniojimo medžiaga + kietasis konteineris
IN-7344	1 mm	850 mm	1	Įvyniojimo medžiaga
IN-6105	4 mm	235 mm	1	Įvyniojimo medžiaga + kietasis konteineris

Blogiausiai atveju patvirtinta apkrova, apskaičiuojama pagal oro išleidimo tūrį, yra IN-0000 padėklas.

Pastaba. IN-0000 padėklas skirtas tik bandymo tikslams.

NAUDOJIMO PASKIRTIS (tęsinys)

AMSCO® V-PRO® žemos temperatūros sterilizavimo ciklai, įvyniojus ir įdėjus į kietąjį konteinerį „Aesculap®“

Instrumentų apsaugos sistemos „InstruSafe®“ kasetės naudojamos kitiems sveikatos priežiūros paslaugų teikėjo sterilizuojamiems medicinos prietaisams tvarkingai sudėti ir apsaugoti. Instrumentų apsaugos sistemos „InstruSafe“ kasetės skirtos sterilizuoti į jas sudėtus medicinos prietaisus taikant žemos temperatūros sterilizavimo ciklus „Amsco V-PRO“. Instrumentų apsaugos sistemos kasetės „InstruSafe“ skirtos naudoti kartu su teisėtai parduodama įvyniojimo medžiaga arba kietuoju konteineriu „Aesculap“. Instrumentų apsaugos sistemos kasetės „InstruSafe“ pačios vienos sterilumo neišlaiko. Išsamus prietaiso modelių sąrašas pateiktas A priede.

Žemos temperatūros sterilizavimo sistemos „AMSCO V-PRO“			
Sterilizatorius	Standartinis ciklas	Ciklas, kai prietaisai turi spindį	Ciklas, kai prietaisai be spindžio
V-PRO 1	X	Netaikoma	Netaikoma
V-PRO 1 PLUS	Netaikoma	X	X
V-PRO maX	Netaikoma	X	X
V-PRO maX 2	Netaikoma	X	X
„Summit“ kasetės modelis		Konteinerio „Aesculap“ modelis	
IN-8823		* JM444	
IN-6105		* JM742	
* Patvirtinta „Summit Medical“ naudoti TIK su žemos temperatūros sterilizavimo sistemomis „AMSCO V-PRO“. Naudojant konteinerį „Aesculap“ kaip sterilų barjerą, apkrova („Summit“ padėklas ir turinys) neturi viršyti nurodytos konteinerio apkrovos (pagal svorį ir apkrovos tipą).			

Patvirtinti instrumentų spindžio dydžiai			
„Summit“ kasetės modelis	Minimalus vidinis skersmuo	Maksimalus ilgis	Spindžių skaičius
IN-8823	3 mm	400 mm	2
IN-6105	3 mm	200 mm	1
IN-2681	1 mm	64 mm	1
Pastaba. Blogiausiu atveju patvirtinta apkrova, apskaičiuojama pagal oro išleidimo tūrį, yra IN-2681 padėklas.			

NAUDOJIMO PASKIRTIS (tęsinys)

„VP4 Sterizone“, įvyniojus ir įdėjus į kietąjį konteinerį „Aesculap“

Instrumentų apsaugos sistemos kasetės / padėklai „InstruSafe“ naudojami kitiems sveikatos priežiūros paslaugų teikėjo sterilizuojamiems medicinos prietaisams tvarkingai sudėti ir apsaugoti. Instrumentų apsaugos sistemos kasetės „InstruSafe“ skirtos sterilizuoti į jas sudėtus medicinos prietaisus taikant „STERIZONE VP4“ 1-ąjį sterilizavimo ciklą. Instrumentų apsaugos sistemos kasetės „InstruSafe“ skirtos naudoti kartu su teisėtai parduodama įvyniojimo medžiaga arba kietuoju konteineriu „Aesculap“. Instrumentų apsaugos sistemos kasetės „InstruSafe“ pačios vienos sterilumo neišlaiko.

„Summit Medical“ patvirtino instrumentų apsaugos sistemos kasetių „InstruSafe“ naudojimą sterilizatoriaus „STERIZONE VP4“ 1-ajame cikle, įrodžiusi sterilizacijos veiksmingumą naudojant tipinius medicinos prietaisų pavyzdžius, įskaitant bendrosios paskirties instrumentus, standžius ir pusiau standžius instrumentus su spindžiu ir lankščiuosius endoskopus. Patvirtinime pateikta tolesnė informacija, kuri buvo naudojama nustatant projektines ribines vertes, taikomas visoms „InstruSafe“ instrumentų apsaugos sistemos kasetėms, siekiant užtikrinti, kad nė vienam modeliui nebūtų viršyti patvirtinti kasetės ventilacijos, vidinių lentynų ir svorio apribojimai:

- mažiausias ventilacijos ir tūrio santykis bendrosios paskirties instrumentams: 0,073;
- mažiausias ventilacijos ir tūrio santykis lankstiesiems endoskopams: 0,263;
- didžiausias vidinių lentynų skaičius: dvi (2);
- didžiausias kasetės svoris (su turiniu): 25 svarai kasetei.

Patvirtintos apkrovos, leidžiamos naudojant „InstruSafe“ instrumentų apsaugos sistemos kasetes, nurodytos pateiktoje lentelėje. Siekiami užtikrinti, kad apkrovos neviršija sterilizatoriui nustatytų apribojimų, žr. sterilizatoriaus gamintojo naudojimo instrukciją.

„InstruSafe“ instrumentų apsaugos sistemos apkrovų aprašymas.

Reprezentatyvusis sterilizatoriaus „STERIZONE VP4“ patvirtintos apkrovos Nr. (K190260)	„Summit Medical“ patvirtinimo apkrovos aprašymas	Bendras apkrovos svoris (išskyrus 25 svarų apkrovos stovą)
4	<p>4a apkrova: standžiųjų ir pusiau standžiųjų kanalinių instrumentų apkrovos ribos:</p> <ul style="list-style-type: none"> • trys (3) dviejų kanalų pusiau standūs endoskopai (0,7 mm × 500 mm ir 1,1 mm × 500 mm ureteroskopai), supakuoti po vieną (1) vienai kasetei, trijose (3) IN 7323-R kasetėse; • norint pasiekti bendrą 15 kanalų skaičių, buvo pridėta papildomų standžiųjų kanalinių instrumentų. Kiekvienoje kasetėje buvo suvynioti atitinkami silikoniniai instrumentų laikikliai. <p>4b apkrova: standžiųjų ir pusiau standžiųjų kanalinių instrumentų apkrovos ribos:</p> <ul style="list-style-type: none"> • trys (3) dviejų kanalų pusiau standūs endoskopai (0,7 mm × 400 mm ir 1,1 mm × 400 mm ureteroskopai), supakuoti po vieną (1) vienai kasetei, trijose (3) IN-0007-TF kasetėse; • norint pasiekti bendrą 15 kanalų skaičių, buvo pridėta papildomų standžiųjų kanalinių instrumentų. Kiekvienoje kasetėje buvo atitinkami silikoniniai instrumentų laikikliai, o kasetės buvo įdėtos į „Aesculap JM440“ kietąjį konteinerį. 	<p>4a apkrova = 5 svarai kasetei, iš viso 15 svarų</p> <p>4b apkrova = 11 svarų kasetei, iš viso 33 svarai</p>
7	<p>„Summit Medical“ 7a patvirtinimo apkrova: bendrosios paskirties medicinos instrumentų, atitinkančių toliau apibūdintą geometriją, apkrovos ribos:</p> <ul style="list-style-type: none"> • „Box-lock“ lankstas; • sukamasis lankstas; • „Luer-lock“ jungtis. <p>Bendrosios paskirties medicinos instrumentai buvo paskirstyti trijose (3) IN-7323-R kasetėse su tinkamais silikoniniais laikikliais, kiekvienos svoris – 25 svarai. Kasetės buvo suvyniotos.</p> <p>„Summit Medical“ 7b patvirtinimo apkrova: bendrosios paskirties medicinos instrumentų, atitinkančių toliau apibūdintą geometriją, apkrovos ribos:</p> <ul style="list-style-type: none"> • „Box-lock“ lankstas; • sukamasis lankstas; • „Luer-lock“ jungtis. <p>Bendrosios paskirties medicinos instrumentai buvo paskirstyti 3 (trijose) IN-0006-TF kasetėse su tinkamais silikoniniais laikikliais. Kasetės, kurių kiekviena svėrė 25 svarus, buvo sudėtos į „Aesculap JM440“ konteinerius.</p>	<p>7a apkrova = 25 svarai kasetei iš viso 75 svarai</p> <p>7b apkrova = 25 svarai kasetei iš viso 75 svarai</p>
8	<p>„Summit Medical“ 8a patvirtinimo apkrova: visų penkių (5) lankščiuųjų endoskopų kanalų, esančių suvyniotose kasetėse, apkrovos ribos:</p> <ul style="list-style-type: none"> • du (2) dviejų kanalų lankstieji endoskopai (1 mm × 850 mm ir 1 mm × 989 mm ureteroskopai) supakuoti, po vieną (1) vienai kasetei, IN-0003-R kasetėse; • vienas (1) vieno kanalo lankstusis endoskopas (1 mm × 850 mm ureteroskopas), supakuotas IN-0004-R kasetėje. <p>Kasetėse buvo atitinkami silikoniniai laikikliai, ir jos buvo suvyniotos.</p> <p>„Summit Medical“ 8b patvirtinimo apkrova: visų keturių (4) lankščiuųjų endoskopų kanalų, esančių kasetėse, sudėtos į kietuosius konteinerius, apkrovos ribos:</p> <ul style="list-style-type: none"> • du (2) dviejų kanalų lankstieji endoskopai (1 mm × 850 mm ir 1 mm × 989 mm ureteroskopai), supakuoti po vieną (1) vienai kasetei, IN-0003-TF kasetėse su tinkamais silikoniniais laikikliais. <p>Kiekviena kasetė buvo įdėta į „Aesculap JM442“ konteinerį.</p>	<p>8a apkrova = 4,3 svarai kasetei, iš viso 13 svarų</p> <p>8b apkrova = 8,3 svarai kasetei, iš viso 25 svarai</p>

LAIKYMAS

Galutinai sterilizuotas kasetes, kurios yra įvyniotos arba įdėtos į konteinerius, laikykite sandėlio lentynoje horizontalioje padėtyje. Informacijos apie tinkamumo laiką teiraukitės įvyniojimo medžiagos arba konteinerio gamintojo.

ŠALINIMAS

Jei instrumentų apsaugos sistemos „InstruSafe®“ prieš naudojimą neatitinka patikros kriterijų arba dėl kitos priežasties nebegali būti naudojamos pagal paskirtį, prietaisai turi būti pašalinami pagal vietos protokolą. Jei nustatomas pašalinimo poreikis, šalinimo būdas priklauso nuo galimo kryžminio užterštumo ir infekcijos rizikos.

PRANEŠIMAS APIE PAVOJINGUS INCIDENTUS

Apie bet kokį su prietaisu susijusį pavojingą incidentą reikia pranešti gamintojui ir valstybės narės, kurioje įsisteigęs naudotojas ir (arba) pacientas, FDA ir (arba) kompetentingai institucijai.

GARANTIJA

RIBOTOJI GARANTIJA, SUTEIKIAMA „SUMMIT MEDICAL“ INSTRUMENTŲ APSAUGOS SISTEMAI „INSTRUSAFE“.

ŠI RIBOTOJI GARANTIJA IR JOJE NUMATYTOS TEISĖS YRA IŠSKIRTINĖS IR TAIKOMOS VIETOJE VISŲ KITŲ NURODYTŲ GARANTIJŲ, JOKIŲ KITŲ ASMENŲ AR FIRMŲ PAREIŠKIMAI ARBA INFORMACIJA NEGALIOJA (JEI ČIA NENURODYTA KITAIP). BET KOKIŲ NUMANOMŲ PERKAMUMO AR TINKAMUMO NAUDOTI KONKREČIAM TIKSLUI GARANTIJŲ TRUKMĖ TURI NEVIRŠYTI NURODYTOS RIBOTOSIOS GARANTIJOS TRUKMĖS. NEI „SUMMIT MEDICAL“, NEI SU JA SUSIJUSIOS BENDROVĖS NETURI BŪTI LAIKOMOS ATSAKINGOMIS UŽ ATSIKTIKINIUS, NETIESIOGINIUS AR SPECIALIUOSIUS NUOSTOLIUS AR ŽALĄ, ATSIKTIKINIUS NAUDOJANT SISTEMĄ „INSTRUSAFE“ ARBA NEGALINT JOS NAUDOTI, NEPRIKLAUSOMAI NUO TO, AR JIE ATSIKTIKINIUS PAŽEIDUS GARANTIJĄ ARBA BET KOKIĄ KITĄ TEISĖS TEORIJĄ.

Ši ribotoji garantija suteikia jums konkrečias juridines teises, be to, galite turėti ir kitų teisių, kurios kiekvienoje valstybėje skiriasi. Kai kurios valstybės neleidžia numanomos garantijos galiojimo laiko ribojimų arba neleidžia atimesti ar apriboti atsitiktinės ar netiesioginės žalos, todėl minėti apribojimai ar išimtys gali būti jums netaikomi.

Kam taikoma garantija? „Summit Medical“ garantuoja pradiniam pirkėjui, kad sistema „InstruSafe“, kuriai taikoma ši ribotoji garantija, atitinka gamintojo specifikacijas ir joje nebus gamybos ir medžiagų trūkumų 12 mėnesių nuo pradinio pirkimo dienos. Jei pradinis pirkėjas perduos sistemą „InstruSafe“ kitai šaliai, šalis, kuriai gaminys bus perduotas, šia ribotąją garantiją pasinaudoti negalės.

Kaip spręšime problemas? Jei per šį laikotarpį išryškėtų „InstruSafe“ sistemos trūkumų, turite apie tai pranešti „Summit Medical“ arba įgaliotajam „Summit Medical“ platintojui ar pardavėjui. Turite leisti „Summit Medical“ ar jos atstovams atlikti tokius tyrimus, apžiūrą ir bandymus, kuriuos „Summit Medical“ laiko tinkamais, o jei jūsų paprašys grąžinti gaminį į gamyklą, jį išsiųsite toliau nurodytu adresu. Vienintelė „Summit Medical“ prievolė pagal šią ribotąją garantiją yra savo nuožiūra pataisyti ar pakeisti gaminį su trūkumais, neimant mokesčio už detales ar darbą. Pašto, draudimo ar siuntimo išlaidos, patirtos pateikiant sistemos „InstruSafe“ gaminį garantinei priežiūrai, yra jūsų atsakomybė.

Kam garantija netaikoma? Šia ribotąją garantija galima pasinaudoti tik tinkamai naudojant ir prižiūrint gaminį; ji netaikoma gaminiams, kurie buvo netinkamai siunčiami arba netinkamai naudojami, naudojami pažeidžiant instrukcijas, buvo neprižiūrimi ar netinkamai prižiūrimi, plaunami ar sandėliuojami, arba kurių techninę priežiūrą atliko ne „Summit Medical“ ar įgaliotasis „Summit Medical“ platintojas ar pardavėjas, arba buvo modifikuoti be aiškaus „Summit Medical“ sutikimo. Jei nesilaikysite naudojimo instrukcijos nurodymų, tai gali reikšti, kad gaminys bus netinkamai naudojamas ar prižiūrimas, todėl ši ribotoji garantija negalios. Ši garantija negalioja įprastai susidėvintiems arba keičiamiesiems reikmenims.

Jei turite klausimų ar norite pateikti pretenziją dėl šios garantijos, kreipkitės:

Klientų aptarnavimo skyrius
„Summit Medical“
815 Vikings Parkway, Suite 100
St. Paul, MN 55121 | USA (JAV)
www.instrusafe.com

TEL.: 651-789-3939 | 888-229-2875
FAKS.: 651-789-3979 | 888-229-1941
EL. PAŠTAS: customerservice@innoviamedical.com

经设备制造商认可，本说明书能够再处理可重复使用的医疗器械。

具体的灭菌器、器械清洁度、器械托盘的特定装载、器械的类型和几何形状、灭菌容器、过滤器和包装材料视各地情况而定。

在将产品投入使用之前阅读这一部分内容

预期用途/适应症概述

InstruSafe® 器械保护系统灭菌盒/托盘适用于在运输、灭菌和储存期间收纳和保护可重复使用的医疗器械。InstruSafe® 器械保护系统灭菌盒/托盘用于收纳和保护由医疗服务提供商杀菌消毒的其他医疗器械。InstruSafe 器械保护系统灭菌盒/托盘适用于封闭式医疗器械灭菌，可在以下灭菌循环期间使用：

- 预真空蒸汽 (ISO 17665-1 和 EN 285)
- 环氧乙烷 (ISO 11135)
- 认可的低温灭菌, (ISO 14937) 即
 - STERRAD® 100S Standard (short)
 - STERIS® AMSCO® V-PRO 1®、V-PRO 1 Plus、V-PRO maX 和 V-PRO maX 2
 - STERRAD® 100NX® Express、Standard 和 Flex
 - Sterizone® VP4
 - STERRAD® NX® Standard

InstruSafe 器械保护系统灭菌盒/托盘本身不能保持无菌性。InstruSafe 器械保护系统灭菌盒/托盘适用于合法市售包装、Aesculap® 硬质容器或 Genesis™ 硬质容器。

InstruSafe 灭菌容器已根据 510(k) K180528 验证，适用于 InstruSafe 器械保护系统灭菌盒/托盘（预真空，270°F (132°C)，仅 4 分钟蒸汽灭菌循环）。有关详细信息，请参阅 InstruSafe® 灭菌容器使用说明。

有关设备型号的完整列表，请参见附录 A，可在 www.instrusafe.com/ifus 上找到。

设备说明

Summit Medical InstruSafe 器械保护系统灭菌盒/托盘用于在灭菌过程中以及后续储存和运输期间，有序收纳、整理和存放手术器械和器械配件。灭菌盒/托盘不与患者直接接触。灭菌盒/托盘本身不能保持无菌性。灭菌盒/托盘尺寸有所不同，但基本配置相同，都有矩形底座和锁盖。灭菌盒/托盘有孔眼，灭菌剂可以进入。灭菌盒/托盘底座和/或上盖含有硅胶镶嵌件，可在灭菌过程中以及后续储存和运输期间，存放、整理和保护灭菌盒/托盘中的手术器械。

目标用户

InstruSafe® 器械保护系统旨在供手术室和无菌处理部门中的医疗保健专业人员用于运输、消毒和储存医疗器械。

处理限制

1. InstruSafe 器械保护系统 使用寿命至少为 25 次灭菌循环。使用前，检查托盘是否有因使用而造成的磨损和损坏。如有腐蚀、机械损伤、开裂、脱落、破损、焊缝开裂、支脚损坏、门锁损坏、Hold-Its®/Hold-Downs 损坏和变色等明显磨损迹象，立即停止使用。
2. 有关灭菌方法和配置，请参见表 2。
3. **不得过载** InstruSafe 系统或组件。
4. **不得过载**任一 Hold-Its 槽。每个 Hold-Its 槽只能装载一件器械。
5. 如果使用硬质容器，**不得封包** InstruSafe 系统或组件并将其放在容器内灭菌。
6. 在灭菌器内部，**不得堆放**单独封包或装在容器内的 InstruSafe 系统或组件。将封包或装在容器内的 InstruSafe 系统或组件分开，并与任何其他物品分开摆放，置于灭菌器的不同搁架上，以便灭菌剂充分流通。
7. 因使用不吸水的托盘内衬（例如指状硅胶收纳垫），可能导致冷凝水汇集。如有明显的积水，请重新灭菌并延长干燥时间。
8. 容器系统总重（包括容器、托盘和器械载重）不得超过 25 磅 (11.34 kg)。
9. 某些器械（例如内窥镜以及带腔体或槽的器械）应按器械制造商说明进行制备和灭菌。
10. 处理者负责对要应用于灭菌过程中使用的器械和容器的配置进行最终灭菌过程的特定验证。
11. 有关其他限制（例如尺寸或重量限制），请参阅灭菌器制造商的说明。

警告

- 对于铝制 InstruSafe 系统，只可使用中性（pH 值为 6.0 – 8.5）清洁剂，以免损坏镀层。**强酸性或强碱性**清洁剂可造成灭菌盒的阳极氧化铝镀层和金属组件永久损坏。
- 如果在使用前包装已破损或意外打开，请勿使用。

注：在投入使用之前，按照附带的说明书清洁并检查灭菌盒。

通用预防措施

- 按照所在单位/部门针对所受污染程度制定的操作程序要求，相关人员均应穿着防护服并使用防护装备。
- 灭菌期间，保持不同的金属分离以防腐蚀。

使用点

使用一次性擦拭布/纸巾去污。受污染的组件应保持湿润，直到可以进行合格的清洁过程为止。

清洁

有关清洁灭菌盒中仪器的特定说明，请参阅仪器制造商的使用说明。

建议使用以下认可的清洁方法之一完成灭菌盒/托盘清洁。

只可使用不含碳酸钠的中性（pH 值为 6.0 – 8.5）溶液，以免损坏铝制灭菌盒镀层。

不得使用百洁布或擦洗剂。**不得**在液体中存放灭菌盒。

1. 手动粗略去污：

- A. 所需材料：中性（pH 值为 6.0– 8.5）加酶清洁剂、软毛刷和自来水。
- B. 使用软毛刷清除所有污垢和污染物。清洁时，整个灭菌盒应该充分浸泡至少 2 分钟，以便清除污染物和抑制清洁剂溅到人身上。
- C. 用干净的水彻底冲洗（至少 1 分钟），除净所有清洁剂。有关冲洗说明，请参见清洁剂标签。

2. 超声波洗：

- A. 准备在超声波清洗设备中进行酶洗。
- B. 将单盒放入清洁剂中，至少洗十分钟。
- C. 用冷自来水至少冲洗 2 分钟。
- D. 目视检查灭菌盒是否有污染物。如有必要，重复清洗循环，去除明显的污染物。

3. 自动清洗机：

InstruSafe 器械保护系统已被认可用于表 1 所列自动清洗系统循环。特定参数的鉴定将需要由处理者进行。

表 1

循环	水温	清洁过程
预洗 1 和 2	冷自来水	再循环时间： 2 分钟
酶洗	热自来水	浸泡时间： 4 分钟
洗涤 1	加热到 150°F (65.5°C)	再循环时间： 15 分钟
冲洗 1 和 2	热自来水	再循环时间： 5 分钟

注：完成自动清洗循环后，目视检查 InstruSafe System（灭菌盒以及配件）是否仍有任何明显污垢。必须通过手洗、擦拭、超声波洗或其他自动清洗循环去除所有明显污垢，然后才能送去灭菌。

消毒

InstruSafe 系统适用于最终灭菌。

维护、检查和测试

InstruSafe 系统可重复使用，直到发生腐蚀、开裂、生锈、脱落、破损、变色或机械损伤等不可接受的老化为止。

机械损伤的迹象包括：

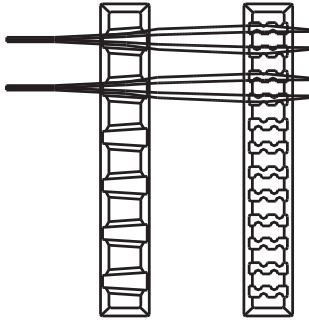
- 边角或焊缝损坏或开裂
- 门锁损坏或故障
- 硅胶镶嵌件缺失、磨损或割伤
- 支脚缺失或损坏

组装

1. 将器械放在预先确定的支架或由定位柱确定的区域，让所有器械表面都能接触到灭菌剂。请参见图 A。确保每个槽内只有一个器械。如有可能，按照器械制造商的说明拆卸或打开所有器械零件。

不得过载支架或超过灭菌盒的重量限制。请参见附录 A。

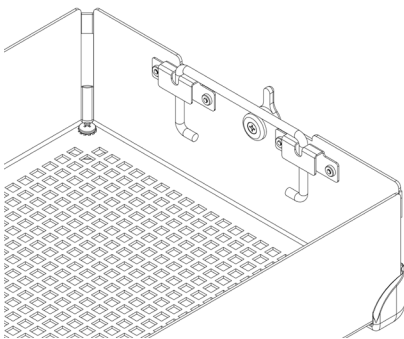
图 A:



注：某些器械（例如内窥镜以及带腔或槽的器械）应按器械制造商的使用说明书进行制备和灭菌。

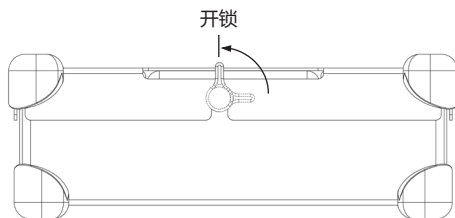
2. 确保手柄位于灭菌盒内（缩回位置）。请参见图 B。

图 B:



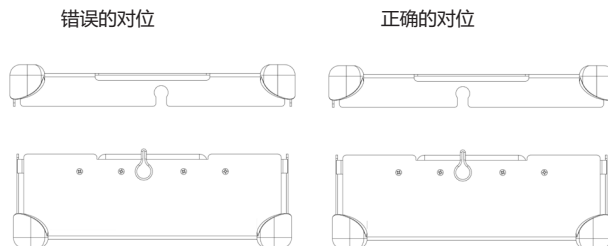
3. 将盒盖放在灭菌盒底座上，确保门锁位置正确（锁槽在盒盖上），然后闭合门锁。请参见图 C。

图 C:



注：门锁有槽，可使盒盖与底座始终保持正确对位。这可确保在锁好盒盖之后，支架摆放整齐。有关正确的对位，请参见图 D。
不得将盒盖强制扣在灭菌盒底座上，因为这可损坏器械和灭菌盒。

图 D:



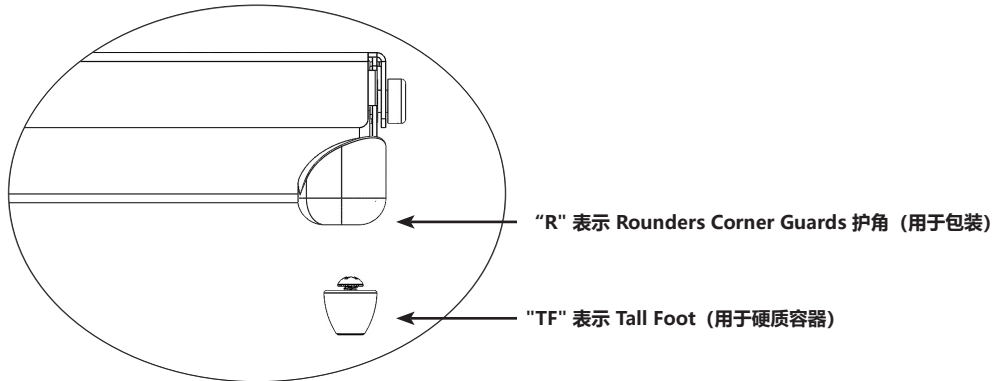
包装

InstruSafe Systems 既可使用合法市售包装，也可置于合法市售硬质容器。请参阅使用说明书中的使用说明。

与包装结合使用：

1. 在包装灭菌盒之前，确保它有正确的支脚样式。R 应与包装结合使用。请参见图 F。

图 F：



2. 使用合法市售包装并按包装制造商说明完成灭菌盒包装。

3. 使用使用说明书在所列灭菌循环之一完成包装灭菌。

与硬质容器结合使用：

请参阅使用说明书中的使用说明。

1. 在将灭菌盒放入硬质容器之前，确保它有正确的支脚样式。TF 应与硬质容器结合使用。请参见图 F。

2. 将灭菌盒放入硬质容器。按照容器制造商说明密封容器。

注：不得先包装灭菌盒再放入容器灭菌。

3. 使用使用说明书在所列灭菌循环之一完成容器及其中物品灭菌。

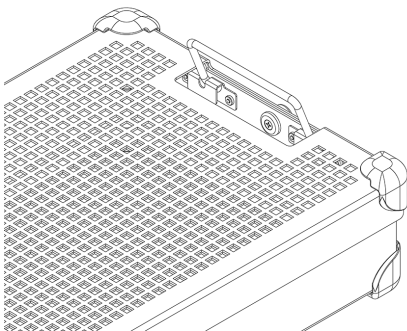
其他信息：

要在无菌条件下从硬质容器取出灭菌盒，请按容器制造商的使用说明书操作。

1. 双手戴上手套，手掌朝外，通过盒盖开口伸手进去。

2. 握住灭菌盒手柄，扳到升起位置。请参见图 G。

图 G：



3. 向内倾斜手柄，远离硬质容器侧面，然后从容器中提出灭菌盒，注意不要碰到容器顶部或外侧。

4. 即灭菌盒放在无菌表面上。

灭菌

有关已被认可用于 InstruSafe 系统灭菌的灭菌参数，请参见表 2。

表 2:

灭菌方法	循环 (时间)
预真空蒸汽	参数: 温度 270°F (132°C) 接触时间 4 分钟 干燥时间 30 分钟
环氧乙烷 (EO)	预处理: 温度 131°F (55°C) 相对湿度 70 ± 15% 预处理时间 1 小时 灭菌: 接触时间 120 分钟 温度 131°F (55°C) 曝气时间 12 小时
STERRAD 100S	Standard
STERRAD 100NX	Standard, Express, Flex
STERRAD NX	Standard
STERIS AMSCO V-PRO 1	Standard
STERIS AMSCO V-PRO 1 PLUS	腔体, 非腔体
STERIS AMSCO V-PRO maX	腔体, 非腔体
STERIS AMSCO V-PRO maX 2	腔体, 非腔体
Sterizone VP4	循环1

Summit Medical 认以下灭菌方法:

- 4 分钟高压灭菌循环，使用经过 FDA 批准的合法市售包装、InstruSafe 灭菌容器、Aesculap 硬质容器或 Genesis 硬质容器。
根据 K180528，InstruSafe 灭菌容器经过验证可与 InstruSafe 器械保护系统灭菌盒/托盘一起使用。
- 环氧乙烷 (EO) 灭菌循环，使用经过 FDA 批准的合法市售包装或 Genesis 无菌容器。
- STERRAD 100S Standard 灭菌循环，使用经过 FDA 批准的合法市售包装或 Aesculap 硬质容器。
- STERRAD 100NX Standard 灭菌循环，使用经过 FDA 批准的合法市售包装或 Aesculap 硬质容器。
- STERRAD 100NX Express 灭菌循环，使用经过 FDA 批准的合法市售包装。
- STERRAD 100NX Flex 灭菌循环，使用经过 FDA 批准的合法市售包装或 Aesculap 硬质容器。
- STERRAD NX Standard 灭菌循环，使用经过 FDA 批准的合法市售包装或 Aesculap 硬质容器。
- STERIS AMSCO V-PRO 1、V-PRO 1 PLUS、V-PRO maX 和 V-PRO maX 2 灭菌循环，使用经过 FDA 批准的合法市售包装或 Aesculap 的硬质容器。
- Sterizone VP4 灭菌循环，使用经过 FDA 批准的合法市售包装或 Aesculap 硬质容器。

不得超过制造商规定的无菌容器负载容量。

使用经过 FDA 批准的配件以保持无菌性。

请查阅灭菌器说明手册，以确保预期负载与预期灭菌循环相符。

请查阅容器使用说明书，以确保预期负载与 FDA 批准的容器负载相符。

适应症

4 分钟蒸汽, 包装和 Aesculap® 硬质容器

Instru-Safe® 器械保护系统灭菌盒用于收纳和保护由医疗服务提供商杀菌消毒的其他医疗器械。InstruSafe 器械保护系统灭菌盒适用于封闭式医疗器械灭菌, 可在预真空蒸汽灭菌循环期间使用。InstruSafe 器械保护系统灭菌盒适用于合法市售包装或 Aesculap 硬质容器。InstruSafe 器械保护系统灭菌盒本身不能保持无菌性。

高压灭菌参数	
循环	预真空
温度	270°F (132°C)
接触时间	4 分钟
最短干燥时间	30 分钟
Summit 灭菌盒型号	Aesculap 容器型号
IN-8823-AE	*JN444
IN-2880	*JK444
IN-6105	*JN742
*经 Summit Medical 认可, 只可用于工作温度为 270°F (132°C), 接触时间为 4 分钟的预真空蒸汽灭菌器。 请查阅容器说明, 以确保其中物品不超过灭菌容器的适用负载要求。	

4 分钟预真空蒸汽灭菌循环对腔体的要求			
Summit 灭菌盒型号	最小内径	最大长度	腔体数
IN-8823-CF	3mm	400mm	4
IN-8823-CF	3mm	200mm	2
IN-2880	1mm	76mm	2
IN-2880	3mm	177mm	1
IN-6105	5mm	241mm	1
IN-2681	1mm	65mm	1
IN-2681	3mm	200mm	1
IN-7823	1mm	400mm	17

4 分钟蒸汽, Genesis™ 硬质容器

InstruSafe® 器械保护系统灭菌盒用于收纳和保护由医疗服务提供商杀菌消毒的其他医疗器械。InstruSafe 器械保护系统灭菌盒适用于封闭式医疗器械灭菌, 可在预真空蒸汽灭菌循环期间使用。InstruSafe 器械保护系统灭菌盒适用于合法市售的 Genesis 硬质容器。InstruSafe 器械保护系统灭菌盒本身不能保持无菌性。有关设备型号的完整列表, 请参见附录 A。

4 分钟预真空蒸汽灭菌循环对腔体的要求			
Summit 灭菌盒型号	最小内径	最大长度	腔体数
IN-2681	1mm	65mm	1
IN-2681	3mm	200mm	1
IN-6105	5mm	241mm	1
IN-0000	1mm	400mm	5
	3mm	400mm	1
	5mm	400mm	1

适应症 (续)

8 分钟蒸汽和环氧乙烷 (EO), 包装和 Genesis™ 硬质容器

InstruSafe® 器械保护系统灭菌盒用于容纳和保护由医疗服务提供商杀菌消毒的其他医疗器械。InstruSafe 系统灭菌盒适用于封闭式医疗器械灭菌, 可在预真空蒸汽或环氧乙烷灭菌循环期间使用。InstruSafe 系统灭菌盒适用于中央合法市售包装或 Genesis 硬质容器。InstruSafe 系统灭菌盒本身不能保持无菌性。

灭菌方法和配置

132°C 蒸汽 8 分钟预处理	
140 根纺织布包装	10 分钟干燥时间
无纺布包装 (Kimberly Clark)	50 分钟干燥时间
Genesis 容器 (有关滤纸的使用, 请参阅表 1)	30 分钟干燥时间

环氧乙烷 (EO)
<ul style="list-style-type: none"> ▪ 1 小时预处理, 温度 131°F (55°C), 相对湿度 70 ± 15% ▪ 2 小时接触, 温度 131°F (55°C) ▪ 12 小时曝气

Genesis 容器	Genesis 容器滤纸
CD2-4B	FX3-1: 9x9"
CD2-5B	FX3-1: 9x9"
CD3-4B	FX3-1: 9x9"
CD3-5B	FX3-1: 9x9"
CD3-6B	FX3-1: 9x9"
CD3-7B	FX3-1: 9x9"
CD4-5B	FO3-2: 9x6"
CD5-61B	FO3-2: 9x6"
CD6-6B	FX3-1: 9x9"

在使用任何 Genesis 硬质容器时, 均请参见 V. Mueller Genesis 灭菌器容器系统用户操作说明。

STERRAD® 100S 和 STERRAD® 100NX® Standard 循环, 包装和 Aesculap® 硬质容器

InstruSafe® 器械保护系统灭菌盒用于容纳和保护由医疗服务提供商杀菌消毒的其他医疗器械。InstruSafe 器械保护系统灭菌盒适用于封闭式医疗器械灭菌, 可在 Sterrad 100S Standard 和 Sterrad 100NX Standard 灭菌循环期间使用。InstruSafe 器械保护系统灭菌盒适用于合法市售包装或 Aesculap 硬质容器。InstruSafe 器械保护系统灭菌盒本身不能保持无菌性。有关设备型号的完整列表, 请参见附录 A。

以下灭菌托盘可用于相应的硬质容器:

STERRAD 100S Standard 循环	
Summit 灭菌盒型号	Aesculap 容器型号
IN-8823-AE	*JM444
IN-6105	*JM440

STERRAD 100NX Standard 循环	
Summit 灭菌盒型号	Aesculap 容器型号
IN-8823-AE	*JM444
IN-6105	*JM440

*经 Summit Medical 认可, 只可用于 STERRAD 100S Standard 循环和 STERRAD 100NX Standard 循环。请查阅容器说明, 以确保其中物品不超过灭菌容器的适用负载要求。

STERRAD 100S Standard 和 STERRAD 100NX Standard 循环对腔体的要求	
4 个不锈钢腔体, 内径 3mm, 长度 400mm	除 IN-2681 外, 所有尺寸合适的型号都列在附录 A 中。
2 个不锈钢腔体, 内径 3mm, 长度 200mm	
1 个不锈钢腔体, 内径 3mm, 长度 200mm	IN-2681
1 个不锈钢腔体, 内径 1mm, 长度 65mm	

适应症 (续)

STERRAD® NX® Standard 循环, 包装和 Aesculap® 硬质容器

InstruSafe® 器械保护系统灭菌盒用于收纳和保护由医疗服务提供商杀菌消毒的其他医疗器械。InstruSafe 器械保护系统灭菌盒适用于封闭式医疗器械灭菌, 可在 Sterrad NX Standard 灭菌循环期间使用。InstruSafe 器械保护系统灭菌盒适用于合法市售包装或 Aesculap 硬质容器。InstruSafe 器械保护系统灭菌盒本身不能保持无菌性。有关设备型号的完整列表, 请参见附录 A。

灭菌方法和配置

- Sterrad NX Standard 灭菌循环

STERRAD NX Standard 灭菌循环对腔体的要求			
Summit 灭菌盒型号	最小内径	最大长度	腔体数
IN-2681	1mm	65mm	1
IN-2681	3mm	200mm	1
IN-8987-S	1mm	500mm	5
IN-8615	2.3mm	210mm	5
IN-6105	4mm	235mm	1

注: 根据排量计算, 在最差条件下验证的负载是 IN-2681 托盘。

STERRAD® 100NX® Express 循环, 包装

InstruSafe® 器械保护系统灭菌盒用于收纳和保护由医疗服务提供商杀菌消毒的其他医疗器械。InstruSafe 器械保护系统灭菌盒适用于封闭式医疗器械灭菌, 可在 Sterrad® 100NX Express 循环期间使用。InstruSafe 器械保护系统灭菌盒适用于合法市售包装。InstruSafe 器械保护系统灭菌盒本身不能保持无菌性。对于 Sterrad 100NX Express 循环, InstruSafe 器械保护系统没有腔体要求。

STERRAD® 100NX® Flex 灭菌循环, 包装和 Aesculap® 硬质容器

InstruSafe® 器械保护系统灭菌盒用于收纳和保护由医疗服务提供商杀菌消毒的其他医疗器械。InstruSafe 器械保护系统灭菌盒适用于封闭式医疗器械灭菌, 可在 Sterrad 100NX Flex 灭菌循环期间使用。InstruSafe 器械保护系统灭菌盒适用于合法市售包装或 Aesculap 硬质容器。InstruSafe 器械保护系统灭菌盒本身不能保持无菌性。有关设备型号的完整列表, 请参见附录 A。

STERRAD 100NX Flex 灭菌循环	
Summit 灭菌盒型号	Aesculap 容器型号
IN-0000	*JM440
IN-6105	*JM440

*经 Summit Medical 认可, 只可用于 STERRAD 100NX Flex 灭菌循环。请查阅容器说明, 以确保其中物品不超过灭菌容器的适用负载要求。

STERRAD 100NX Flex 灭菌循环对腔体的要求				
Summit 灭菌盒型号	最小内径	最大长度	腔体数	包装/硬质容器
IN-0000	1mm	850mm	1	包装 + 硬质容器
IN-8823	1mm	850mm	1	包装 + 硬质容器
IN-7344	1mm	850mm	1	包装
IN-6105	4mm	235mm	1	包装 + 硬质容器

根据排量计算, 在最差条件下验证的负载是 IN-0000 托盘。

注: IN-0000 托盘只用于测试用途。

适应症 (续)

AMSCO® V-PRO® 低温灭菌循环, 包装和 Aesculap® 硬质容器

InstruSafe® 器械保护系统灭菌盒用于收纳和保护由医疗服务提供商杀菌消毒的其他医疗器械。InstruSafe 器械保护系统灭菌盒适用于封闭式医疗器械灭菌, 可在 Amsco V-PRO 低温灭菌循环期间使用。InstruSafe 器械保护系统灭菌盒适用于合法市售包装或 Aesculap 硬质容器。InstruSafe 器械保护系统灭菌盒本身不能保持无菌性。有关设备型号的完整列表, 请参见附录 A。

AMSCO V-PRO 低温灭菌系统			
灭菌器	标准循环	腔体循环	非腔体循环
V-PRO 1	X	不适用	不适用
V-PRO 1 PLUS	不适用	X	X
V-PRO maX	不适用	X	X
V-PRO maX 2	不适用	X	X
Summit 灭菌盒型号		Aesculap 容器型号	
IN-8823		*JM444	
IN-6105		*JM742	
*经 Summit Medical 认可, 只可用于 AMSCO V-PRO 低温灭菌系统。在使用 Aesculap 容器作为无菌屏障时, 负载 (Summit 托盘及其中物品) 不得超过对容器重量和负载类型的负载要求。			

认可的器械腔体尺寸包括:			
Summit 灭菌盒型号	最小内径	最大长度	腔体数
IN-8823	3mm	400mm	2
IN-6105	3mm	200mm	1
IN-2681	1mm	64mm	1
注: 根据排量计算, 在最差条件下验证的负载是 IN-2681 托盘。			

适应症 (续)

VP4 Sterizone、包装和 Aesculap® 硬质容器

InstruSafe® 器械保护系统灭菌盒 (托盘) 用于收纳和保护由医疗服务提供商杀菌消毒的其他医疗器械。InstruSafe 器械保护系统灭菌盒适用于封闭式医疗器械灭菌, 可在 STERIZONE VP4 灭菌第一循环期间使用。InstruSafe 器械保护系统灭菌盒适用于合法市售包装或 Aesculap 硬质容器。InstruSafe 器械保护系统灭菌盒本身不能保持无菌性。

经 Summit Medical 认可, InstruSafe 器械保护系统灭菌盒可在 STERIZONE VP4 灭菌器的第一循环期间使用, 通过使用具有代表性的医疗器械样品 (包括普通器械、带腔体的刚性和半刚性器械以及柔性内窥镜) 来展示灭菌效果。验证所提供的信息已被用于建立设计限制, 这些限制适用于所有 InstruSafe 器械保护系统灭菌盒, 以确保所有型号的灭菌盒通风、内搁架和重量都在验证的限制之内。

- 最小通风容积比, 普通器械: 0.073
- 最小通风容积比, 柔性内窥镜: 0.263
- 内搁架的最大数量: 二 (2)
- 最大灭菌盒重量 (包括内容物): 25 磅/盒

关于使用 InstruSafe 器械保护系统灭菌盒的验证负载, 请参阅下表。请参阅灭菌器制造商的使用说明, 以确保负载不超过灭菌器的声明限制。

InstruSafe 器械保护系统负载的描述。

代表 STERIZONE® VP4 灭菌器的验证负载编号。 (K190260)	Summit Medical 验证负载描述	总负载重量 (不包括 25 磅的装载架)
4	<p>负载 4a: 包括刚性和半刚性通道仪器的负载限制:</p> <ul style="list-style-type: none"> • 包装三 (3) 个双通道半刚性内窥镜 (输尿管镜 – 0.7 mm × 500 mm 和 1.1 mm × 500 mm), 每盒一 (1) 个, 装在 三 (3) 个 IN 7323-R 灭菌盒中。 • 增加了新的刚性通道仪器, 达到总共 15 个通道。 <p>每个灭菌盒都包括适当的硅胶仪器支架, 并装在包装盒中。</p> <p>负载 4b: 包括刚性和半刚性通道仪器的负载限制:</p> <ul style="list-style-type: none"> • 包装三 (3) 个双通道半刚性内窥镜 (输尿管镜 – 0.7 mm × 400 mm 和 1.1 mm × 400 mm), 每盒一 (1) 个, 装在 三 (3) 个 IN-0007-TF 灭菌盒中。 • 增加了新的刚性通道仪器, 达到总共 15 个通道。 <p>每个灭菌盒都包括适当的硅胶仪器支架, 并装在 Aesculap JM440 硬质容器中。</p>	<p>负载 4a = 5 磅/盒, 总共 15 磅</p> <p>负载 4b = 11 磅/盒, 总共 33 磅</p>
7	<p>Summit Medical 验证负载 7a: 由代表以下几何形状 of 普通医疗器械的负载重量限制组成:</p> <ul style="list-style-type: none"> • 箱锁铰链 • 枢轴铰链 • 鲁尔锁 <p>普通医疗器械用三 (3) 个 IN-7323-R 灭菌盒 包装, 有适当的硅胶支架, 每个重 25 磅。灭菌盒装在包装盒中。</p> <p>Summit Medical 验证负载 7b: 由代表以下几何形状 of 普通医疗器械的负载重量限制组成:</p> <ul style="list-style-type: none"> • 箱锁铰链 • 枢轴铰链 • 鲁尔锁 <p>普通医疗器械用三 (3) 个 IN-0006-TF 灭菌盒 包装, 有适当的硅胶支架。 灭菌盒装在 Aesculap JM440 容器中, 每个容器重 25 磅。</p>	<p>负载 7a = 25 磅/盒, 总共 75 磅</p> <p>负载 7b = 25 磅/盒, 总共 75 磅</p>
8	<p>Summit Medical 验证负载 8a: 由总共五 (5) 个柔性内窥镜通道的负载限制组成, 用灭菌盒包装, 并装在包装盒中:</p> <ul style="list-style-type: none"> • 包装两 (2) 个双通道半刚性内窥镜 (输尿管镜 – 1 mm × 850 mm 和 1 mm × 989 mm), 每盒一 (1) 个, 装在 IN-0003-TF 灭菌盒中。 • 包装一 (1) 个单通道柔性内窥镜 (输尿管镜 – 1 mm × 850 mm), 装在 IN-0004-R 灭菌盒中。 <p>灭菌盒包括适当的硅胶支架, 并装在包装盒中。</p> <p>Summit Medical 验证负载 8b: 由总共四 (4) 个柔性内窥镜通道的负载限制组成, 用灭菌盒包装, 并装在硬质容器中:</p> <ul style="list-style-type: none"> • 包装两 (2) 个双通道柔性内窥镜 (输尿管镜 – 1 mm × 850 mm 和 1 mm × 989 mm), 每盒一 (1) 个, 装在 IN-0003-TF 灭菌盒中, 并带有适当的硅胶支架。 <p>每个灭菌盒都装在 Aesculap JM442 容器内。</p>	<p>负载 8a = 4.3 磅/盒, 总共 13 磅</p> <p>负载 8b = 8.3 磅/盒, 总共 25 磅</p>

存放

将封包或装在容器内的最终灭菌盒存放在储物架上水平位置。有关保存期限的信息，请咨询包装或容器制造商。

处置

如果 InstruSafe® 器械保护系统在使用前未通过检查，或因其他原因被认为不适合使用，则应按照当地规程处置设备。当确定需要处置时，处置方法应取决于交叉污染和感染的潜在风险。

严重事故报告

与设备有关的任何严重事故应上报给制造商以及用户和/或患者所在成员国的 FDA/主管部门。

保修

SUMMIT MEDICAL INSTRUSAFE 仪器保护系统有限保修

本有限保修以及本文所述赔偿具有排他性，代替所有其他明示保证，除非本文另有规定，否则任何其他个人或公司所做任何声明或陈述一律无效。针对特定目的的适销性和适应症的任何暗示保证期限均应限制为明示保证期限。对于因使用或无法使用 INSTRUSAFE 系统而造成的任何附带、间接或特殊损失或损害，无论是因违反保证还是任何其他法理而造成，SUMMIT MEDICAL 及其附属公司概不承担任何责任。

本有限保修向您赋予特定的法定权利，您可能还有其他权利，具体视州而定。有些州不允许限制暗示保证有效期，或不允许排除或限制附带或间接损失，所以上述限制或排除可能不适用于您。

保修范围：Summit Medical 向原始购买者保证，随附本有限保修的 InstruSafe 系统符合制造商规范，没有工艺和材料缺陷，本保修期限为 12 个月（自最初购买之日算起）。如果原始购买者向另一方转让 InstruSafe 系统，则本有限保修不可由产品受让方执行。

保修问题解决办法：如果在保修期内，您的 InstruSafe 系统出现质量问题，您必须通知 Summit Medical 或 Summit Medical 的授权分销商或经销商。您必须允许 Summit Medical 或其代表开展 Summit Medical 认为适当的调查、检查和测试。如应要求，您要按照下文所述地址邮寄本品返厂处理。按本有效保修规定，Summit Medical 唯一的义务是自行选择维修或更换有缺陷的产品，而不收取零件或人工费用。因 InstruSafe 系统产品保修服务而产生的邮寄、保险或运输费用由您自行承担。

不保修范围：本有限保修生效条件是正确使用和维护产品，因运输不当、误用、滥用、疏忽、维护、清洁或存放不当、非 Summit Medical 或 Summit Medical 的授权分销商或经销商维修或未经 Summit Medical 明确准许擅自改动等原因，而出现问题的产品不在保修范围之内。不遵守用户手册中的指示可构成产品使用或维护不当，导致本有限保修失效。本有限保修不适用于正常磨损或更换件。

如果您有与本保修相关的问题或索赔要求，请联系：

客服部

Summit Medical

815 Vikings Parkway, Suite 100

St. Paul, MN 55121 | USA

www.instrusafe.com

电话：651-789-3939 | 888-229-2875

传真：651-789-3979 | 888-229-1941

电子邮件：customerservice@innoviamedical.com

經器材製造商認可，本說明書能夠用來再處理可再用的醫療器械。

具體的滅菌器、器械清潔度、器械託盤的特定裝載、器械的類型和幾何形狀、滅菌容器、篩檢程序和包裝材料視各地情況而定。

在將產品投入使用之前閱讀這一部分內容

預期用途/適應症概述

InstruSafe® 器械保護系統滅菌盒/托盤適用於在運輸、滅菌和儲存期間收納和保護可重複使用的醫療器械。InstruSafe® 器械保護系統滅菌盒/托盤用於收納和保護由醫療服務提供商殺菌消毒的其他醫療器械。InstruSafe 器械保護系統滅菌盒/托盤適用於封閉式醫療器械滅菌，可在以下滅菌循環期間使用：

- 預真空蒸汽 (ISO 17665-1 和 EN 285)
- 環氧乙烷 (ISO 11135)
- 認可的低溫滅菌, (ISO 14937) 即
 - STERRAD® 100S Standard (short)
 - STERIS® AMSCO® V-PRO 1®、V-PRO 1 Plus、V-PRO maX 和 V-PRO maX 2
 - STERRAD® 100NX® Express、Standard 和 Flex
 - Sterizone® VP4
 - STERRAD® NX® Standard

InstruSafe 器械保護系統滅菌盒/托盤本身不能保持無菌性。InstruSafe 器械保護系統滅菌盒/托盤適用於合法市售包裝、Aesculap® 硬質容器或 Genesis™ 硬質容器。

InstruSafe 滅菌容器已根據 510(k) K180528 驗證，適用於 InstruSafe 器械保護系統滅菌盒/託盤（預真空，270°F (132°C)，僅 4 分鐘蒸汽滅菌循環）。有關詳細資訊，請參閱 InstruSafe® 滅菌容器使用說明。

有關設備型號的完整清單，請參見附錄 A，可在 www.instrusafe.com/ifus 上找到。

器材說明

Summit Medical InstruSafe Instrument Protection Systems 滅菌盒/託盤用於在滅菌過程中以及後續儲存和運輸期間，有序收納、整理和存放手術器械和器械配件。滅菌盒/託盤不與病患直接接觸。滅菌盒/託盤本身不能保持無菌性。滅菌盒/託盤尺寸有所不同，但基本組態相同，都有矩形底座和鎖蓋。滅菌盒/託盤有孔眼，滅菌劑可以進入。滅菌盒/託盤底座和/或上蓋含有矽酮鑲嵌件，可在滅菌過程中以及後續儲存和運輸期間，存放、整理和保護滅菌盒/託盤中的手術器械。

目標用戶

InstruSafe® 器械保護系統旨在供手術室和無菌處理部門中的醫療保健專業人員用於運輸、消毒和儲存醫療器械。

處理限制

1. InstruSafe 器械保護系統使用壽命至少為 25 次滅菌循環。使用前，檢查託盤是否有因使用而造成的磨損和損壞。如有腐蝕、機械損傷、開裂、脫落、破損、焊縫開裂、支腳損壞、門鎖損壞、Hold-Its®/Hold-Downs 損壞和變色等明顯磨損跡象，立即停止使用。
2. 有關滅菌方法和組態，請檢視表 2。
3. **不得超載** InstruSafe 系統或元件。
4. **不得超載**任一 Hold-Its 槽。每個 Hold-Its 槽只能裝載一件器械。
5. 如果使用硬質容器，**不得封包** InstruSafe 系統或元件並將其放在容器內滅菌。
6. 在滅菌器內部，**不得堆放**單獨封包或裝在容器內的 InstruSafe 系統或元件。將封包或裝在容器內的 InstruSafe 系統或元件分開，並與任何其他物品分開擺放，置於滅菌器的不同擱架上，以便滅菌劑充分流通。
7. 因使用不吸水的託盤內襯（例如指狀矽酮收納墊），可能導致冷凝水暈集。如有明顯的積水，請重新滅菌並延長乾燥時間。
8. 容器系統總重（包括容器、託盤和器械載重）不得超過 25 磅 (11.34 kg)。
9. 某些器械（例如內窺鏡以及帶腔體或槽的器械）應按器械製造商說明進行製備和滅菌。
10. 處理者負責對要應用於滅菌過程中使用的器械和容器組態執行最終滅菌過程保持特定的認可。
11. 有關其他限制（例如尺寸或重量限制），請參閱滅菌器製造商的說明。

警告

- 對於鋁制 InstruSafe 系統，只可使用中性 (pH 值為 6.0 – 8.5) 清潔劑，以免損壞鍍層。強酸性或強鹼性清潔劑可造成滅菌盒的陽極氧化鋁鍍層和金屬元件永久損壞。
- 如果在使用前包裝已損壞或意外打開，請勿使用。

註：在投入使用之前，按照附帶的說明書清潔並檢查滅菌盒。

萬用預防措施

- 按照所在單位/部門針對所受污染程度制定的操作程序要求，相關人員均應穿著防護服並使用防護裝備。
- 滅菌期間，保持不同的金屬分離以防腐蝕。

應需使用

使用一次性擦拭布/紙巾去汙。受污染的元件應保持濕潤，直到可以進行合格的清潔過程為止。

清潔

有關清潔滅菌盒中器械的特定說明，請參閱器械製造商的使用說明。

建議使用以下認可的清潔方法之一完成滅菌盒/託盤清潔。

只可使用不含碳酸鈉的中性 (pH 值為 6.0 – 8.5) 溶液，以免損壞鋁制滅菌盒鍍層。

不得使用百潔布或擦洗劑。**不得**在液體中存放滅菌盒。

1. 手動粗略去汙：

- 所需材料：中性 (pH 值為 6.0– 8.5) 加酶清潔劑、軟毛刷和自來水。
- 使用軟毛刷清除所有污垢和污染物。清潔時，整個滅菌盒應該充分浸泡至少 2 分鐘，以便清除污染物和抑制清潔劑濺到人身上。
- 用乾淨的水徹底沖洗 (至少 1 分鐘)，除淨所有清潔劑。有關沖洗說明，請檢視清潔劑標籤。

2. 超聲波洗：

- 準備在超聲波清洗器材中進行酶洗。
- 將單盒放入清潔劑中，至少洗十分鐘。
- 用冷自來水至少沖洗 2 分鐘。
- 目視檢查滅菌盒是否有污染物。如有必要，重複清洗循環，去除明顯的污染物。

3. 自動清洗機：

InstruSafe 器械保護系統適用於表 1 所列自動清洗系統循環。
特定參數的鑒定將需要由處理者進行。

表 1

循環	水溫	清潔過程
預洗 1 和 2	冷自來水	再循環時間：2 分鐘
酶洗	熱自來水	浸泡時間：4 分鐘
洗滌 1	加熱到 150°F (65.5°C)	再循環時間：15 分鐘
沖洗 1 和 2	熱自來水	再循環時間：5 分鐘

註：完成自動清洗循環後，目視檢查 InstruSafe System (滅菌盒以及配件) 是否仍有任何明顯污垢。必須透過手洗、擦拭、超聲波洗或其他自動清洗循環去除所有明顯污垢，然後才能送去滅菌。

消毒

InstruSafe 系統適用於最終滅菌。

維護、檢查和檢驗

InstruSafe 系統可再用，直到發生腐蝕、開裂、生銹、脫落、破損、變色或機械損傷等不可接受的老化為止。

機械損傷的跡象包括：

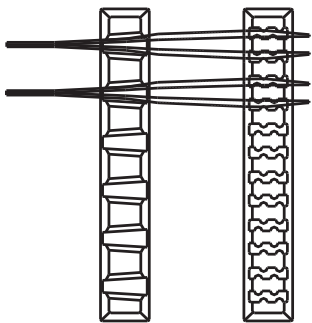
- 邊角或焊縫損壞或開裂
- 門鎖損壞或故障
- 矽酮鑲嵌件缺失、磨損或割傷
- 支腳缺失或損壞

組裝

1. 將器械放在預先確定的支架或由定位柱確定的區域，讓所有器械表面都能接觸到滅菌劑。請檢視圖 A。確保每個槽內只有一個器械。如有可能，按照器械製造商的說明拆卸或打開所有器械零件。

不得超載支架或超過滅菌盒的重量限制。請檢視附錄 A。

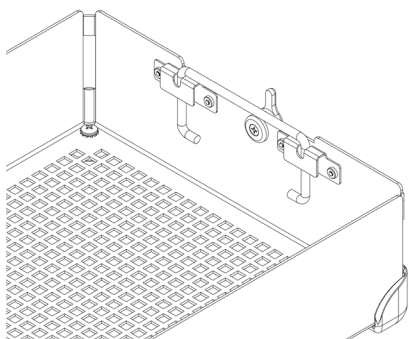
圖 A:



註：某些器械（例如內窺鏡以及帶腔或槽的器械）應按器械製造商的使用說明書進行製備和滅菌。

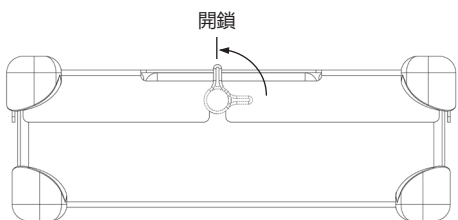
2. 確保手柄位於滅菌盒內（縮回位置）。請檢視圖 B。

圖 B:



3. 將盒蓋放在滅菌盒底座上，確保門鎖位置正確（鎖槽在盒蓋上），然後閉合門鎖。請檢視圖 C。

圖 C:

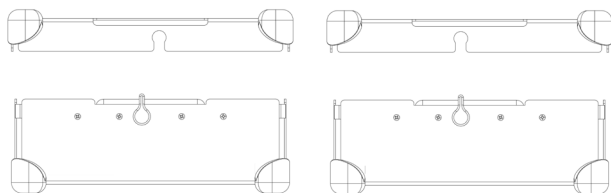


註：門鎖有槽，可使盒蓋與底座始終保持正確對位。這可確保在鎖好盒蓋之後，支架擺放整齊。有關正確的對位，請檢視圖 D。
不得將盒蓋強制扣在滅菌盒底座上，因為這可損壞器械和滅菌盒。

圖 D:

錯誤的對位

正確的對位



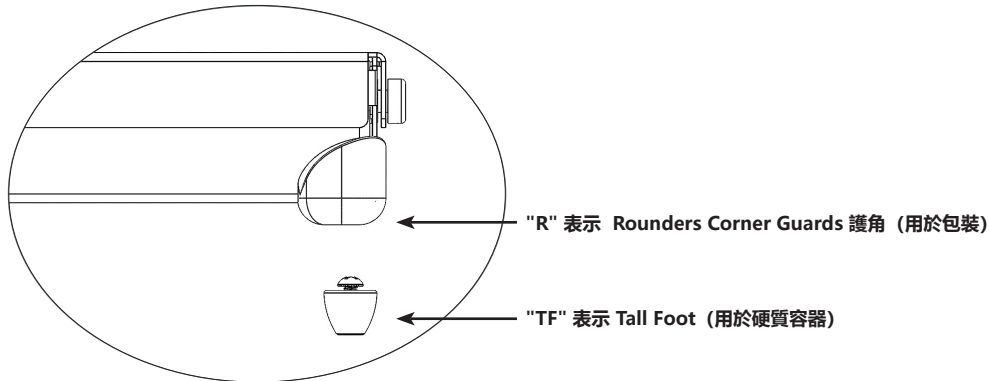
包裝

InstruSafe Systems 既可使用合法市售包裝，也可置於合法市售硬質容器中。請參閱使用說明書中的使用說明。

與包裝結合使用：

1. 在包裝滅菌盒之前，確保它有正確的支腳樣式。R 應與包裝結合使用。請檢視圖 F。

圖 F：



2. 使用合法市售包裝並按包裝製造商說明完成滅菌盒包裝。

3. 使用使用說明書在所列滅菌循環之一完成包裝滅菌。

與硬質容器結合使用：

請參閱使用說明書中的使用說明。

1. 在將滅菌盒放入硬質容器之前，確保它有正確的支腳樣式。TF 應與硬質容器結合使用。請檢視圖 F。

2. 將滅菌盒放入硬質容器。按照容器製造商說明密封容器。

註：不得先包裝滅菌盒再放入容器滅菌。

3. 採用使用說明書在所列滅菌循環之一完成容器及其中物品滅菌。

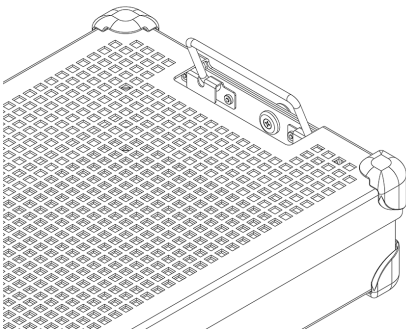
其他資訊：

要在無菌條件下從硬質容器取出滅菌盒，請按容器製造商的使用說明書操作。

1. 雙手戴上手套，手掌朝外，透過盒蓋開口伸手進去。

2. 握住滅菌盒手柄，扳到升起位置。請檢視圖 G。

圖 G：



3. 向內傾斜手柄，遠離硬質容器側面，然後從容器中提出滅菌盒，注意不要碰到容器頂部或外側。

4. 即滅菌盒放在無菌表面上。

滅菌

有關合格的 InstruSafe 系統滅菌的典型滅菌參數，請檢視表 2。

表 2:

滅菌方法	循環 (時間)
預真空蒸汽	參數: 溫度 270°F (132°C) 接觸時間 4 分鐘 乾燥時間 30 分鐘
環氧乙烷 (EO)	預處理: 溫度 131°F (55°C) 相對濕度 70 ± 15% 預處理時間 1 小時 滅菌: 接觸時間 120 分鐘 溫度 131°F (55°C) 曝氣時間 12 小時
STERRAD 100S	Standard
STERRAD 100NX	Standard, Express, Flex
STERRAD NX	Standard
STERIS AMSCO V-PRO 1	Standard
STERIS AMSCO V-PRO 1 PLUS	腔體, 非腔體
STERIS AMSCO V-PRO maX	腔體, 非腔體
STERIS AMSCO V-PRO maX 2	腔體, 非腔體
Sterizone VP4	循環 1

Summit Medical 認以下滅菌方法:

- 4 分鐘高壓滅菌循環，使用經過 FDA 批准的合法市售包裝、InstruSafe 滅菌容器、Aesculap 硬質容器或 Genesis 硬質容器。
根據 K180528，InstruSafe 滅菌容器經過驗證可與 InstruSafe 器械保護系統滅菌盒/託盤一起使用。
- 環氧乙烷 (EO) 滅菌循環，使用經過 FDA 批准的合法市售包裝或 Genesis 無菌容器。
- STERRAD 100S Standard 滅菌循環，使用經過 FDA 批准的合法市售包裝或 Aesculap 硬質容器。
- STERRAD 100NX Standard 滅菌循環，使用經過 FDA 批准的合法市售包裝或 Aesculap 硬質容器。
- STERRAD 100NX Express 滅菌循環，使用經過 FDA 核准的合法市售包裝。
- STERRAD 100NX Flex 滅菌循環，使用經過 FDA 核准的合法市售包裝和 Aesculap 硬質容器。
- STERRAD NX Standard 滅菌循環，使用經過 FDA 批准的合法市售包裝或 Aesculap 硬質容器。
- STERIS AMSCO V-PRO 1、V-PRO 1 PLUS、V-PRO maX 和 V-PRO maX 2 滅菌循環，使用經過 FDA 批准的合法市售包裝或 Aesculap 硬質容器。
- Sterizone VP4 滅菌循環，使用經過 FDA 批准的合法市售包裝或 Aesculap 硬質容器。

不得超過製造商規定的無菌容器負載容量。

使用經過 FDA 核准的配件以保持無菌性。

請查閱滅菌器說明手冊，以確保預期負載與預期滅菌循環相符。

請查閱容器使用說明書，以確保預期負載與 FDA 核准的容器負載相符。

適應症

4 分鐘蒸汽，包裝和 Aesculap® 硬質容器

Instru-Safe® 器械保護系統滅菌盒用於收納和保護由醫療服務提供者殺菌消毒的其他醫療器械。InstruSafe 器械保護系統滅菌盒適用於封閉式醫療器械滅菌，可在預真空蒸汽滅菌循環期間使用。InstruSafe 器械保護系統滅菌盒適用於合法市售包裝或 Aesculap 硬質容器。InstruSafe 器械保護系統滅菌盒本身不能保持無菌性。

高壓滅菌參數	
循環	預真空
溫度	270°F (132°C)
接觸時間	4 分鐘
最短乾燥時間	30 分鐘
Summit 滅菌盒型號	Aesculap 容器型號
IN-8823-AE	*JN444
IN-2880	*JK444
IN-6105	*JN742
*經 Summit Medical 認可，只可用於工作溫度為 270°F (132°C)，接觸時間為 4 分鐘的預真空蒸汽滅菌器。 請查閱容器說明，以確保其中物品不超過滅菌容器的適用負載要求。	

4 分鐘預真空蒸汽滅菌循環對腔體的要求			
Summit 滅菌盒型號	最小內徑	最大長度	腔體數
IN-8823-CF	3mm	400mm	4
IN-8823-CF	3mm	200mm	2
IN-2880	1mm	76mm	2
IN-2880	3mm	177mm	1
IN-6105	5mm	241mm	1
IN-2681	1mm	65mm	1
IN-2681	3mm	200mm	1
IN-7823	1mm	400mm	17

4 分鐘蒸汽，Genesis™ 硬質容器

Instru-Safe® 器械保護系統滅菌盒用於收納和保護由醫療服務提供者殺菌消毒的其他醫療器械。InstruSafe 器械保護系統滅菌盒適用於封閉式醫療器械滅菌，可在預真空蒸汽滅菌循環期間使用。InstruSafe 器械保護系統滅菌盒適用於合法市售的 Genesis 硬質容器。InstruSafe 器械保護系統滅菌盒本身不能保持無菌性。有關器材型號的完整清單，請檢視附錄 A。

4 分鐘預真空蒸汽滅菌循環對腔體的要求			
Summit 滅菌盒型號	最小內徑	最大長度	腔體數
IN-2681	1mm	65mm	1
IN-2681	3mm	200mm	1
IN-6105	5mm	241mm	1
IN-0000	1mm	400mm	5
	3mm	400mm	1
	5mm	400mm	1

適應症 (續)

8 分鐘蒸汽和環氧乙烷 (EO), 包裝和 Genesis™ 硬質容器

InstruSafe® 器械保護系統滅菌盒用於收納和保護由醫療服務提供商殺菌消毒的其他醫療器械。InstruSafe 系統滅菌盒適用於封閉式醫療器械滅菌, 可在預真空蒸汽或環氧乙烷滅菌循環期間使用。InstruSafe 系統滅菌盒適用於中央合法市售包裝或 Genesis 硬質容器。InstruSafe 系統滅菌盒本身不能保持無菌性。

滅菌方法和組態

132°C 蒸汽 8 分鐘預處理	
140 根紡織布包裝	10 分鐘乾燥時間
無紡布包裝 (Kimberly Clark)	50 分鐘乾燥時間
Genesis 容器 (有關濾紙的使用, 請參閱表 1)	30 分鐘乾燥時間

環氧乙烷 (EO)
<ul style="list-style-type: none"> ▪ 1 小時預處理, 溫度 131°F (55°C), 相對濕度 70 ± 15% ▪ 2 小時接觸, 溫度 131°F (55°C) ▪ 12 小時曝氣

Genesis 容器	Genesis 容器濾紙
CD2-4B	FX3-1: 9x9"
CD2-5B	FX3-1: 9x9"
CD3-4B	FX3-1: 9x9"
CD3-5B	FX3-1: 9x9"
CD3-6B	FX3-1: 9x9"
CD3-7B	FX3-1: 9x9"
CD4-5B	FO3-2: 9x6"
CD5-61B	FO3-2: 9x6"
CD6-6B	FX3-1: 9x9"

在使用任何 Genesis 硬質容器時, 請檢視 V. Mueller Genesis 滅菌器容器系統使用者操作說明。

STERRAD® 100S 和 STERRAD® 100NX® Standard 循環, 包裝和 Aesculap® 硬質容器

InstruSafe® 器械保護系統滅菌盒用於收納和保護由醫療服務提供商殺菌消毒的其他醫療器械。InstruSafe 器械保護系統滅菌盒適用於封閉式醫療器械滅菌, 可在 Sterrad 100S Standard 和 Sterrad 100NX Standard 滅菌循環期間使用。InstruSafe 器械保護系統滅菌盒適用於合法市售包裝或 Aesculap 硬質容器。InstruSafe 器械保護系統滅菌盒本身不能保持無菌性。有關器材型號的完整清單, 請檢視附錄 A。

以下滅菌託盤可用於相應的硬質容器:

STERRAD 100S Standard 循環	
Summit 滅菌盒型號	Aesculap 容器型號
IN-8823-AE	*JM444
IN-6105	*JM440

STERRAD 100NX Standard 循環	
Summit 滅菌盒型號	Aesculap 容器型號
IN-8823-AE	*JM444
IN-6105	*JM440

*經 Summit Medical 認可, 只可用於 STERRAD 100S Standard 循環和 STERRAD 100NX Standard 循環。請查閱容器說明, 以確保其中物品不超過滅菌容器的適用負載要求。

STERRAD 100S Standard 和 STERRAD 100NX Standard 循環對腔體的要求	
4 個不銹鋼腔體, 內徑 3mm, 長度 400mm	除 IN-2681 外, 所有尺寸合適的型號都列在附錄 A 中。
2 個不銹鋼腔體, 內徑 3mm, 長度 200mm	
1 個不銹鋼腔體, 內徑 3mm, 長度 200mm	IN-2681
1 個不銹鋼腔體, 內徑 1mm, 長度 65mm	

適應症 (續)

STERRAD® NX® Standard 循環, 包裝和 Aesculap® 硬質容器

InstruSafe® 器械保護系統滅菌盒用於收納和保護由醫療服務提供商殺菌消毒的其他醫療器械。InstruSafe 器械保護系統滅菌盒適用於封閉式醫療器械滅菌, 可在 Sterrad NX Standard 滅菌循環期間使用。InstruSafe 器械保護系統滅菌盒適用於合法市售包裝或 Aesculap 硬質容器。InstruSafe 器械保護系統滅菌盒本身不能保持無菌性。有關器材型號的完整清單, 請檢視附錄 A。

滅菌方法和組態

- Sterrad NX Standard 滅菌循環

STERRAD NX Standard 滅菌循環對腔體的要求			
Summit 滅菌盒型號	最小內徑	最大長度	腔體數
IN-2681	1mm	65mm	1
IN-2681	3mm	200mm	1
IN-8987-S	1mm	500mm	5
IN-8615	2.3mm	210mm	5
IN-6105	4mm	235mm	1

註: 根據排量計算, 在最差條件下驗證的負載是 IN-2681 託盤。

STERRAD® 100NX® Express 循環, 包裝

InstruSafe® 器械保護系統滅菌盒用於收納和保護由醫療服務提供商殺菌消毒的其他醫療器械。InstruSafe 器械保護系統滅菌盒適用於封閉式醫療器械滅菌, 可在 Sterrad® 100NX Express 循環期間使用。InstruSafe 器械保護系統滅菌盒適用於合法市售包裝。InstruSafe 器械保護系統滅菌盒本身不能保持無菌性。對於 Sterrad 100NX Express 循環, InstruSafe 器械保護系統沒有腔體要求。

STERRAD® 100NX® Flex 滅菌循環, 包裝和 Aesculap® 硬質容器

InstruSafe® 器械保護系統滅菌盒用於收納和保護由醫療服務提供商殺菌消毒的其他醫療器械。InstruSafe 器械保護系統滅菌盒適用於封閉式醫療器械滅菌, 可在 Sterrad 100NX Flex 滅菌循環期間使用。InstruSafe 器械保護系統滅菌盒適用於合法市售包裝或 Aesculap 硬質容器。InstruSafe 器械保護系統滅菌盒本身不能保持無菌性。有關器材型號的完整清單, 請檢視附錄 A。

STERRAD 100NX Flex 滅菌循環	
Summit 滅菌盒型號	Aesculap 容器型號
IN-0000	*JM440
IN-6105	*JM440

*經 Summit Medical 認可, 只可用於 STERRAD 100NX Flex 滅菌循環。請查閱容器說明, 以確保其中物品不超過滅菌容器的適用負載要求。

STERRAD 100NX Flex 滅菌循環對腔體的要求				
Summit 滅菌盒型號	最小內徑	最大長度	腔體數	包裝/硬質容器
IN-0000	1mm	850mm	1	包裝 + 硬質容器
IN-8823	1mm	850mm	1	包裝 + 硬質容器
IN-7344	1mm	850mm	1	包裝
IN-6105	4mm	235mm	1	包裝 + 硬質容器

根據排量計算, 在最差條件下驗證的負載是 IN-0000 託盤。

註: IN-0000 託盤只用於檢驗用途。

適應症 (續)

AMSCO® V-PRO® 低溫滅菌循環，包裝和 Aesculap® 硬質容器

InstruSafe® 器械保護系統滅菌盒用於收納和保護由醫療服務提供商殺菌消毒的其他醫療器械。InstruSafe 器械保護系統滅菌盒適用於封閉式醫療器械滅菌，可在 Amsco V-PRO 低溫滅菌循環期間使用。InstruSafe 器械保護系統滅菌盒適用於合法市售包裝或 Aesculap 硬質容器。InstruSafe 器械保護系統滅菌盒本身不能保持無菌性。有關器材型號的完整清單，請檢視附錄 A。

AMSCO V-PRO 低溫滅菌系統			
滅菌器	標準循環	腔體循環	非腔體循環
V-PRO 1	X	不適用	不適用
V-PRO 1 PLUS	不適用	X	X
V-PRO maX	不適用	X	X
V-PRO maX 2	不適用	X	X
Summit 滅菌盒型號		Aesculap 容器型號	
IN-8823		*JM444	
IN-6105		*JM742	
*經 Summit Medical 認可，只可用於 AMSCO V-PRO 低溫滅菌系統。在使用 Aesculap 容器作為無菌屏障時，負載 (Summit 託盤及其中物品) 不得超過對容器重量和負載類型的負載要求。			

認可的器械腔體尺寸包括：			
Summit 滅菌盒型號	最小內徑	最大長度	腔體數
IN-8823	3mm	400mm	2
IN-6105	3mm	200mm	1
IN-2681	1mm	64mm	1
註：根據排量計算，在最差條件下驗證的負載是 IN-2681 託盤。			

適應症 (續)

VP4 Sterizone、包裝和 Aesculap® 硬質容器

InstruSafe® 器械保護系統滅菌盒 (託盤) 用於收納和保護由醫療服務提供者殺菌消毒的其他醫療器械。InstruSafe 器械保護系統滅菌盒適用於封閉式醫療器械滅菌，可在 STERIZONE VP4 滅菌第一循環期間使用。InstruSafe 器械保護系統滅菌盒適用於合法市售包裝或 Aesculap 硬質容器。InstruSafe 器械保護系統滅菌盒本身不能保持無菌性。

經 Summit Medical 認可，InstruSafe 器械保護系統滅菌盒可在 STERIZONE VP4 滅菌器的第一循環期間使用，透過使用具有代表性的醫療器械樣品 (包括普通器械、帶腔體的剛性和半剛性器械以及柔性內窺鏡) 來展示滅菌效果。驗證所提供的資訊已被用於建立設計限制，這些限制適用於所有 InstruSafe 器械保護系統滅菌盒，以確保所有型號的滅菌盒通風、內擱架和重量都在驗證的限制之內。

- 最小通風容積比，普通器械：0.073
- 最小通風容積比，柔性內窺鏡：0.263
- 內擱架的最大數量：二 (2)
- 最大滅菌盒重量 (包括內容物)：25 磅/盒

關於使用 InstruSafe 器械保護系統滅菌盒的驗證負載，請參閱下表。請參閱滅菌器製造商的使用說明，以確保負載不超過滅菌器的聲明限制。

InstruSafe 器械保護系統負載的描述。

代表 STERIZONE® VP4 滅菌器的驗證負載編號。 (K190260)	Summit Medical 驗證負載描述	總負載重量 (不包括 25 磅的裝載架)
4	<p>負載 4a: 包括剛性和半剛性通道儀器的負載限制：</p> <ul style="list-style-type: none"> • 包裝三 (3) 個雙通道半剛性內窺鏡 (輸尿管鏡 – 0.7 mm × 500 mm 和 1.1 mm × 500 mm) ，每盒一 (1) 個，裝在三 (3) 個 IN 7323-R 滅菌盒中。 • 增加了新的剛性通道儀器，達到總共 15 個通道。 <p>每個滅菌盒都包括適當的矽膠儀器支架，並裝在包裝盒中。</p> <p>負載 4b: 包括剛性和半剛性通道儀器的負載限制：</p> <ul style="list-style-type: none"> • 包裝三 (3) 個雙通道半硬質內窺鏡 (輸尿管鏡 – 0.7 mm × 400 mm 和 1.1 mm × 400 mm) ，每盒一 (1) 個，裝在三 (3) 個 IN-0007-TF 滅菌盒中。 • 增加了新的剛性通道儀器，達到總共 15 個通道。 <p>每個滅菌盒都包括適當的矽膠儀器支架，並裝在 Aesculap JM440 硬質容器中。</p>	<p>負載 4a = 5 磅/盒， 總共 15 磅</p> <p>負載 4b = 11 磅/盒， 總共 33 磅</p>
7	<p>Summit Medical 驗證負載 7a: 由代表以下幾何形狀的普通醫療器械的負載重量限制組成：</p> <ul style="list-style-type: none"> • 箱鎖鉸鏈 • 樞軸鉸鏈 • 魯爾鎖 <p>普通醫療器械用三 (3) 個 IN-7323-R 滅菌盒包裝，有適當的矽膠支架，每個重 25 磅。滅菌盒裝在包裝盒中。</p> <p>Summit Medical 驗證負載 7b: 由代表以下幾何形狀的普通醫療器械的負載重量限制組成：</p> <ul style="list-style-type: none"> • 箱鎖鉸鏈 • 樞軸鉸鏈 • 魯爾鎖 <p>普通醫療器械用三 (3) 個 IN-0006-TF 滅菌盒包裝，有適當的矽膠支架。滅菌盒裝在 Aesculap JM440 容器中，每個容器重 25 磅。</p>	<p>負載 7a = 25 磅/盒 總共 75 磅</p> <p>負載 7b = 25 磅/盒 總共 75 磅</p>
8	<p>Summit Medical 驗證負載 8a: 由總共五 (5) 個柔性內窺鏡通道的負載限制組成，用滅菌盒包裝，並裝在包裝盒中：</p> <ul style="list-style-type: none"> • 包裝兩 (2) 個雙通道半剛性內窺鏡 (輸尿管鏡 – 1 mm × 850 mm 和 1 mm × 989 mm) ，每盒一 (1) 個，裝在 IN-0003-TF 滅菌盒中。 • 包裝一 (1) 個單通道柔性內窺鏡 (輸尿管鏡 – 1 mm × 850 mm) ，裝在 IN-0004-R 滅菌盒中。 <p>滅菌盒包括適當的矽膠支架，並裝在包裝盒中。</p> <p>Summit Medical 驗證負載 8b: 由總共四 (4) 個柔性內窺鏡通道的負載限制組成，用滅菌盒包裝，並裝在硬質容器中：</p> <ul style="list-style-type: none"> • 包裝兩 (2) 個雙通道柔性內窺鏡 (輸尿管鏡 – 1 mm × 850 mm 和 1 mm × 989 mm) ，每盒一 (1) 個，裝在 IN-0003-TF 滅菌盒中，並帶有適當的矽膠支架。 <p>每個滅菌盒都裝在 Aesculap JM442 容器內。</p>	<p>負載 8a = 4.3 磅/盒， 總共 13 磅</p> <p>負載 8b = 8.3 磅/盒， 總共 25 磅</p>

存放

將封包或裝在容器內的最終滅菌盒存放在儲物架上水平位置。有關保存期限的資訊，請諮詢包裝或容器製造商。

處置

如果 InstruSafe® 器械保護系統在使用前未通過檢查，或因其他原因被認為不適合使用，則應按照當地規程處置設備。當確定需要處置時，處置方法應取決於交叉污染和感染的潛在風險。

嚴重事故報告

與設備有關的任何嚴重事故應上報給製造商以及 FDA /用戶和/或病患所在成員國的主管部門。

保固

SUMMIT MEDICAL INSTRUSAFE 器械保護系統有限保固

本有限保固以及本文所述賠償具有排他性，代替所有其他明示保證，除非本文另有規定，否則任何其他個人或公司所做任何聲明或陳述一律無效。針對特定目的的適性和適應症的任何默示保證期限均應限制為明示保證期限。對於因使用或無法使用 INSTRUSAFE 系統而造成的任何附帶、間接或特殊損失或損害，無論是因違反保證還是任何其他法理而造成，SUMMIT MEDICAL 及其附屬公司概不承擔任何責任。

本有限保固向您賦予特定的法定權利，您可能還有其他權利，具體視州而定。有些州不允許限制默示保證有效期，或不允許排除或限制附帶或間接損失，所以上述限制或排除可能不適用於您。

保固範圍：Summit Medical 向原始購買者保證，隨附本有限保固的 InstruSafe 系統符合製造商規範，沒有工藝和材料缺陷，本保固期限為 12 個月（自最初購買之日算起）。如果原始購買者向另一方轉讓 InstruSafe 系統，則本有限保固不可由產品受讓方強制執行。

保固問題解決辦法：如果在保固期內，您的 InstruSafe 系統出現品質問題，您必須通知 Summit Medical 或 Summit Medical 的授權分銷商或經銷商。您必須允許 Summit Medical 或其代表開展 Summit Medical 認為適當的調查、檢查和檢驗。如應要求，您要按照下文所述地址郵寄本品返廠處理。依據本有效保固規定，Summit Medical 唯一的義務是自行選擇維修或更換有缺陷的產品，而不收取零件或人工費用。因 InstruSafe 系統產品保固服務而產生的郵寄、保險或運輸費用由您自行承擔。

不保固範圍：本有限保固生效條件是正確使用和維護產品，因運輸不當、誤用、濫用、疏忽、維護、清潔或存放不當、非 Summit Medical 或 Summit Medical 的授權分銷商或經銷商維修或未經 Summit Medical 明確准許擅自改動等原因，而出現問題的產品不在保固範圍之內。不遵守使用者手冊中的指示可構成產品使用或維護不當，導致本有限保固失效。本有限保固不適用於正常磨損或更換件。

如果您有與本保固相關的問題或索賠要求，請聯絡：

客服部

Summit Medical

815 Vikings Parkway, Suite 100

St. Paul, MN 55121 | USA

www.instrusafe.com

電話：651-789-3939 | 888-229-2875

傳真：651-789-3979 | 888-229-1941

電子郵件：customerservice@innoviamedical.com

내부에 제공된 지침은 기기 제조업체에 의해 재사용 가능한 의료 기기를 재처리할 수 있는 것으로 검증되었습니다.

개별 멸균기, 기기 청결도, 기기 트레이의 특정 적재량, 기기의 유형 및 기하학 구조, 멸균 용기, 필터 및 포장은 각 위치에 따라 다릅니다.

제품을 사용하기 전에 이 섹션의 내용을 읽어 보십시오.

사용 목적/용도 표시 요약

InstruSafe® 기기 보호 시스템 카세트/트레이는 운반, 멸균, 보관 중에 재사용 가능한 의료 기기를 보관하고 보호하도록 고안되었습니다.

InstruSafe® 기기 보호 시스템 카세트/트레이는 의료 서비스 제공자가 멸균한 다른 의료 기기를 구성 및 보호하는 데 사용됩니다.

InstruSafe 기기 보호 시스템 카세트/트레이는 이러한 멸균 주기 동안 밀폐형 의료 기기를 멸균할 수 있도록 고안되었습니다.

- 사전-진공 증기(ISO 17665-1 및 EN 285)
- 에틸렌 옥사이드(ISO 11135)
- 검증된 저온 살균(ISO 14937) 즉,
 - STERRAD® 100S Standard(짧은)
 - STERIS® AMSCO® V-PRO 1®, V-PRO 1 Plus, V-PRO maX 및 V-PRO maX 2
 - STERRAD® 100NX® Express, Standard, flex
 - Sterizone® VP4
 - STERRAD® NX® Standard

InstruSafe 기기 보호 시스템 카세트는 자체적으로 멸균 상태를 유지하기 위한 것이 아닙니다. InstruSafe 기기 보호 시스템 카세트/트레이는 합법적으로 시판되는 랩, Aesculap® 강성 용기 또는 Genesis™ 강성 용기와 함께 사용하도록 고안되었습니다.

InstruSafe 멸균 용기는 510(k) K180528에 따라 InstruSafe 기기 보호 시스템 카세트/트레이(사전 진공, 270°F(132°C), 4분 증기 멸균 주기만)와 함께 사용하도록 검증되었습니다. 자세한 정보는 InstruSafe® 멸균 용기 사용 지침을 참조하십시오.

장치 모델의 전체 목록은 www.instrusafe.com/ifus에서 볼 수 있는 부록 A에서 제공됩니다.

기기 설명

Summit Medical InstruSafe 기기 보호 시스템은 멸균 처리, 후속 보관 및 운송 중에 수술 기기 및 기기 액세서리를 체계적인 방식으로 밀봉 및 고정하는 데 사용되는 카세트/트레이입니다. 카세트/트레이는 환자와 직접 접촉하지 않습니다. 카세트/트레이 자체는 무균 상태를 유지하지 않습니다. 카세트/트레이는 서로 다른 크기의 동일한 기본 구성임: 래치가 달린 커버가 있는 직사각형 베이스. 카세트/트레이에는 멸균제가 침투할 수 있는 구멍이 있습니다. 카세트/트레이는 멸균 처리, 후속 보관 및 운송 중에 카세트/트레이 내의 수술 기구를 고정, 구성 및 보호하기 위해 베이스 및/또는 커버에 실리콘 삽입물을 포함합니다.

대상 사용자

InstruSafe® 기기 보호 시스템은 의료기기의 운송, 멸균 및 보관을 담당하는 수술실과 멸균 처리 부서의 의료 전문가에 의해 사용되도록 고안되었습니다.

처리 제한

1. InstruSafe 기기 보호 시스템의 유효 수명은 최소 25회의 멸균 주기입니다. 사용 전에 발생한 트레이의 마모 및 손상 여부를 검사하십시오. 부식, 기계적 고장, 균열, 벗겨짐, 박리, 용접부 파손, 찢어짐, 래치 손상, Hold-Its®/Hold-Downs®, 변색 등 눈에 띄는 마모 징후가 있는 경우 사용을 중단하십시오.
2. 표 2에서 멸균 방법 및 구성을 참조하십시오.
3. InstruSafe 시스템 또는 구성품에 **과부하를 주지 마십시오.**
4. 개별 Hold-Its® 슬롯에 **과부하를 주지 마십시오.** Hold-Its®당 하나의 기기만 로드하십시오.
5. 강성 용기 사용자의 경우, InstruSafe 시스템이나 구성품을 **포장하지 말고**, 멸균을 위해 용기 안쪽에 이를 배치하십시오.
6. 멸균기 내부에서, InstruSafe 시스템이나 구성품을 개별적으로 포장하거나 용기에 담지 **마십시오.** 포장되었거나 용기에 담긴 InstruSafe 시스템 또는 구성품을 멸균기의 별도 선반 위에서 서로 분리하거나 다른 품목과 분리하여 멸균제 흐름을 극대화하십시오.
7. 비흡수성 트레이 라이너(예: 실리콘 손가락의 조직 매트)를 사용하면 응축물이 고일 수 있습니다. 눈에 보이는 수분이 있으면 건조 시간을 더 늘려서 재멸균하십시오.
8. 용기 시스템(예: 용기, 트레이 및 기기 로드)의 총 중량은 25파운드(11.34kg)를 초과하지 않아야 합니다.
9. 기기(예: 루멘 또는 채널이 있는 내시경 및 기구)는 기기 제조업체의 지침에 따라 준비하고 멸균해야 합니다.
10. 멸균 절차에 제공되는 기기 및 용기의 구성에 적용되는 최종 멸균 절차에 대한 구체적인 검증을 유지하는 것은 처리자의 책임입니다.
11. 추가 제한 사항(예: 치수 또는 중량 제한)에 대해 멸균기 제조업체의 사용 지침을 참조하십시오.

경고

- 알루미늄 InstruSafe 시스템의 경우, 마감재가 손상되지 않도록 중성 pH(6.0 ~ 8.5) 세제만 사용하십시오. 산성이나 알칼리성 pH가 높은 세제는 카세트와 금속성 구성품의 양극 산화 알루미늄 마감재에 영구적인 손상을 줄 수 있습니다.
- 사용하기 전에 포장에 손상되었거나, 의도치 않게 포장을 연 경우 이를 사용하지 마십시오.

참고: 사용하기 전에 제공된 지침에 따라 카세트를 세척하고 검사하십시오.

일반 예방 조치

- 직원은 노출될 오염 수준에 대해 고용주/부서의 운영 절차에 따라 모든 개인 방호복과 장비를 착용해야 합니다.
- 멸균하는 동안 이중 금속을 분리하여 부식을 방지하십시오.

사용 지침

일회용 천/물티슈로 모든 오물을 제거하십시오. 오염된 구성품은 세척 절차가 적용될 수 있을 때까지 축축하게 유지되어야 합니다.

세척

기기 제조사의 사용 지침에서 카세트 내 기기 세척에 대한 상세 지침을 참조하십시오.

다음의 검증된 세척 옵션 중 하나를 사용하여 카세트/트레이를 세척하는 것을 권장합니다.

알루미늄 카세트에 대한 마감 손상을 방지하기 위해 탄산나트륨이 없는 중성 pH(6.0 - 8.5) 용액만 사용하십시오.

수세미나 연마제를 사용하지 **마십시오**. 액체 안에 카세트를 보관하지 **마십시오**.

1. 철저한 수동 제염:

- 필요한 자재: 중성 pH(6.0 - 8.5) 효소 세제, 부드러운 강모 브러시 및 수돗물.
- 부드러운 강모 브러시를 사용하여 눈에 보이는 오물과 오염물질을 모두 제거합니다. 세척하는 동안 오염물질의 제거를 돕고 작업자에게 세제가 튀는 것을 줄이려면, 최소 2분 동안 카세트 전체를 담가야 합니다.
- 깨끗한 물로 최소 1분 동안 완전히 행구어서 모든 세제를 제거합니다. 세제 라벨에서 행굼 지침을 참조하십시오.

2. 초음파 세척:

- 초음파 세척 장치에서 효소 세척을 준비합니다.
- 하나의 카세트를 세제에 넣고 최소 10분 동안 장치를 작동시킵니다.
- 차가운 수돗물로 최소 2분간 행굼니다.
- 카세트에 오염물질이 있는지 육안으로 검사합니다. 필요한 경우 주기를 반복하여 눈에 보이는 오염물질을 제거합니다.

3. 자동 세척기:

InstruSafe 기기 보호 시스템은 표 1에 나열된 자동 세척 시스템 주기에 대해 검증되어 왔습니다. 특정 매개변수에 대한 자격은 처리자에 의해 수행되어야 합니다.

표 1

주기	수온	세척 절차
1 ~ 2회 사전 세척	차가운 수돗물	재순환 시간: 2분
효소 세척	뜨거운 수돗물	담금 시간: 4분
1회 세척	150°F(65.5°C)에서 가열	재순환 시간: 15분
1 ~ 2회 행굼	뜨거운 수돗물	재순환 시간: 5분

참고: 자동 세척 주기가 완료되면, InstruSafe 시스템(카세트 및 액세서리)에 눈에 띄는 얼룩이 남아 있는지 육안으로 검사하십시오. 멸균 장치로 보내기 전에 손 세척, 칫솔질, 초음파 세척 또는 추가 자동 주기를 통해 눈에 보이는 모든 오염물질을 제거해야 합니다.

소독

InstruSafe 시스템은 최종 멸균하는 제품입니다.

유지 보수, 검사 및 테스트

InstruSafe 시스템은 부식, 균열, 녹, 벗겨짐, 박리, 변색 또는 기계적 고장과 같은 허용할 수 없는 악화 상태가 나타날 때까지 재사용할 수 있습니다.

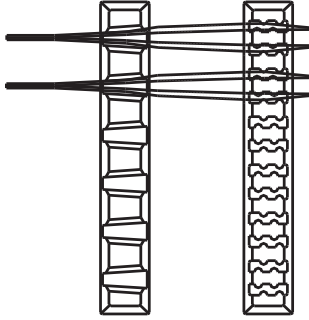
기계적 고장의 징후는 다음과 같습니다.

- 모서리 또는 용접부가 부러지거나 갈라짐
- 고장나거나 작동하지 않는 래치
- 실리콘 삽입물의 누락, 찢어짐 또는 절단
- 핏의 누락이나 손상

조립

- 모든 기기 표면이 멸균제에 노출되도록 배치용 포스트에 의해 정의된 미리 정해진 홀더 또는 영역에 기기를 배치합니다. **그림 A**를 참조하십시오. 각 슬롯에 하나의 기기만 있어야 합니다. 가능하면 기기 제조업체의 지침에 따라 기기의 모든 부품을 분해하거나 여십시오. 홀더에 과부하를 가하거나 카세트의 중량 제한을 초과하지 마십시오. **부록 A**를 참조하십시오.

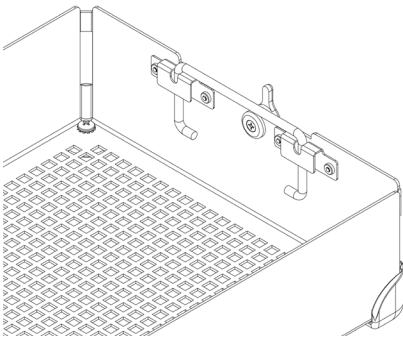
그림 A.



참고: 기기(예: 루멘 또는 채널이 있는 내시경 및 기기)는 기기 제조업체의 사용 지침에 따라 준비하고 멸균해야 합니다.

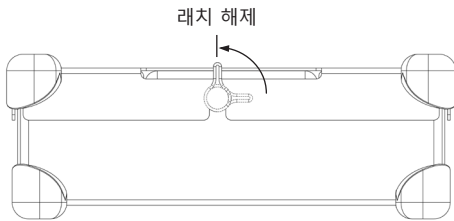
- 핸들이 카세트 안쪽에 있는지 확인합니다(접힌 위치). **그림 B**에 표시되어 있습니다.

그림 B.



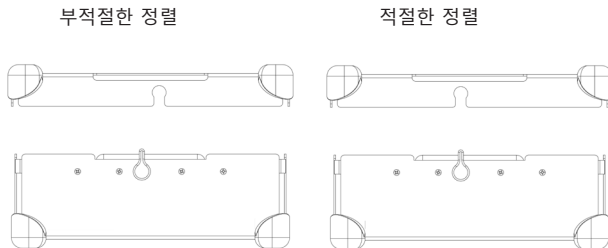
- 카세트 베이스 위에 카세트 커버를 놓고 래치가 카세트 커버의 래치 슬롯에 올바르게 놓이도록 하고 래치를 단습니다. **그림 C**를 참조하십시오.

그림 C.



참고: 카세트 커버가 항상 베이스와 올바르게 정렬되도록 래치가 오프셋됩니다. 이렇게 하면 커버가 고정될 때 홀더가 정렬됩니다. **그림 D**에서 적절한 정렬을 참조하십시오. 카세트 커버를 카세트 베이스에 억지로 밀어 넣지 마십시오. 기기와 카세트가 손상될 수 있습니다.

그림 D.



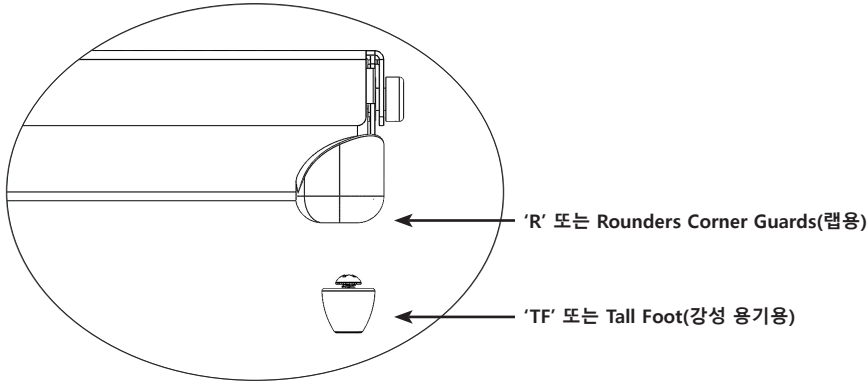
포장

InstruSafe 시스템은 합법적으로 시판되는 랩으로 포장하거나 합법적으로 시판되는 강성 용기에 넣을 수 있습니다. 사용 지침에 있는 사용 지시서를 참조하십시오.

랩과 함께 사용하기:

1. 카세트를 감싸기 전에 풋 스타일이 올바른지 확인합니다. R은 랩과 함께 사용해야 합니다. **그림 F**를 참조하십시오.

그림 F.



2. 랩 제조업체의 지침에 따라 합법적으로 판매되는 랩을 사용하여 카세트를 포장하십시오.
3. 사용 지침에 나열된 멸균 주기 중 하나를 사용하여 해당 팩을 멸균하십시오.

강성 용기 사용하기:

사용 지침에 있는 사용 지시문을 참조하십시오.

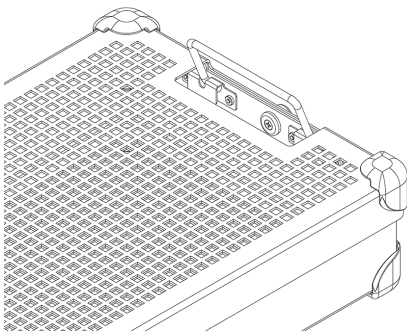
1. 강성 용기에 카세트를 배치하기 전에 풋 스타일이 올바른지 확인합니다. TF는 강성 용기와 함께 사용해야 합니다. **그림 F**를 참조하십시오.
2. 강성 용기에 카세트를 넣습니다. 용기 씰링에 대한 용기 제조업체의 지침을 따르십시오.
참고: 멸균 용기에 넣기 전에 카세트를 포장하지 마십시오.
3. 사용 지침에 나열된 멸균 주기 중 하나를 사용하여 용기와 내용물을 멸균하십시오.

추가 정보:

강성 용기에서 무균 상태로 카세트를 꺼내려면 용기 제조업체의 사용 지침을 따르십시오.

1. 손에 장갑을 낀 채 손바닥을 바깥쪽으로 향하게 하여 카세트 커버의 구멍을 통해 손을 넣습니다.
2. 카세트 핸들을 잡고 상승된 위치로 들어 올립니다. **그림 G**를 참조하십시오.

그림 G.



3. 강성 용기의 측면에서 안쪽으로 핸들을 기울이고, 용기의 위쪽이나 바깥쪽에 닿지 않도록 주의하면서 용기 밖으로 카세트를 들어 올립니다.
4. 멸균 표면 위에 카세트를 놓습니다.

멸균

표 2에서 InstruSafe 시스템의 멸균이 가능한 일반적인 멸균 매개변수를 참조하십시오.

표 2

멸균 방법	주기(회)
사전 진공 스팀	매개변수: 온도 270°F(132°C) 노출 시간 4분 건조 시간 30분
에틸렌 옥사이드(EO)	전처리: 온도 131°F(55°C) 상대 습도 70 ± 15% 전처리 시간 1시간 멸균: 노출 시간 120분 온도 131°F(55°C) 통기 시간 12시간
STERRAD 100S	Standard
STERRAD 100NX	Standard, Express, Flex
STERRAD NX	Standard
STERIS AMSCO V-PRO 1	Standard
STERIS AMSCO V-PRO 1 PLUS	루멘, 비-루멘
STERIS AMSCO V-PRO maX	루멘, 비-루멘
STERIS AMSCO V-PRO maX 2	루멘, 비-루멘
Sterizone VP4	1 주기

Summit Medical에서 다음 멸균 방법을 검증했습니다.

- 합법적으로 시판되는 랩, InstruSafe 살균 용기, Aesculap 강성 용기 또는 Genesis 강성 용기의 4분 오토클레이브 멸균 주기. K180528에 따라, InstruSafe 멸균 용기는 InstruSafe 기기 보호 시스템 카세트/트레이와 함께 사용하도록 검증되었습니다.
- FDA의 허가 하에 합법적으로 시판되는 랩 및 Genesis 멸균 용기의 에틸렌 옥사이드(EO) 멸균 주기.
- FDA의 허가 하에 합법적으로 시판되는 랩 및 Aesculap 강성 용기의 STERRAD 100S Standard 멸균 주기.
- FDA의 허가 하에 합법적으로 시판되는 랩 및 Aesculap 강성 용기의 STERRAD 100NX Standard 멸균 주기.
- FDA의 허가 하에 합법적으로 시판되는 랩의 STERRAD 100NX Express 멸균 주기.
- FDA의 허가 하에 합법적으로 시판되는 랩 및 Aesculap 강성 용기의 STERRAD 100NX Flex 멸균 주기.
- FDA의 허가 하에 합법적으로 시판되는 랩 및 Aesculap 강성 용기의 STERRAD NX Standard 멸균 주기.
- FDA의 허가 하에 합법적으로 시판되는 랩 및 Aesculap 강성 용기의 STERIS AMSCO V-PRO, V-PRO 1 PLUS, V-PRO maX 및 V-PRO maX 2 멸균 주기
- FDA의 허가 하에 합법적으로 시판되는 랩 및 Aesculap 강성 용기의 Sterizone VP4 멸균 주기.

제조업체가 지정한 멸균 용기의 적재 용량을 초과하지 **마십시오**.

멸균 상태를 유지하려면 FDA에서 허가한 액세서리를 사용하십시오.

멸균기 사용 설명서를 참조하여 의도된 하중이 의도된 멸균 주기와 호환 가능한지 확인하십시오.

용기 사용 지침을 참조하여 의도된 하중이 용기에 대해 FDA에서 허가한 하중과 호환 가능한지 확인하십시오.

용도 표기

4분 스팀, 랩 및 Aesculap® 강성 용기

InstruSafe® 기기 보호 시스템 카세트는 의료 서비스 제공자가 멸균한 다른 의료 기기를 구성 및 보호하는 데 사용됩니다. InstruSafe 기기 보호 시스템 카세트는 사전 진공 스팀 멸균 주기 동안 밀폐형 의료 기기를 멸균할 수 있도록 고안되었습니다. InstruSafe 기기 보호 시스템 카세트는 합법적으로 시판되는 랩 또는 Aesculap 강성 용기와 함께 사용하도록 고안되었습니다. InstruSafe 기기 보호 시스템 카세트는 자체적으로 멸균 상태를 유지하기 위한 것이 아닙니다.

오토클레이브 멸균 매개변수	
주기	사전 진공
온도	270°F(132°C)
노출 시간	4분
최소 건조 시간	30분
Summit 카세트 모델	Aesculap 용기 모델
IN-8823-AE	*JN444
IN-2880	*JK444
IN-6105	*JN742
*4분 노출 시간 동안 270°F(132°C)에서만 작동하는 사전 진공 스팀 멸균기에 사용하도록 Summit Medical에 의해 검증되었습니다. 용기 지침을 참조하여 내용물이 멸균 용기의 의도된 하중을 초과하지 않게 하십시오.	

4분 사전 진공 스팀 멸균 주기의 루멘 클레임			
Summit 카세트 모델	최소 내경	최대 길이	루멘 수
IN-8823-CF	3mm	400mm	4
IN-8823-CF	3mm	200mm	2
IN-2880	1mm	76mm	2
IN-2880	3mm	177mm	1
IN-6105	5mm	241mm	1
IN-2681	1mm	65mm	1
IN-2681	3mm	200mm	1
IN-7823	1mm	400mm	17

4분 스팀, Genesis™ 강성 용기

InstruSafe® 기기 보호 시스템 카세트는 의료 서비스 제공자가 멸균한 다른 의료 기기를 구성 및 보호하는 데 사용됩니다. InstruSafe 기기 보호 시스템 카세트는 사전 진공 스팀 멸균 주기 동안 밀폐형 의료 기기를 멸균할 수 있도록 고안되었습니다. InstruSafe 기기 보호 시스템 카세트는 합법적으로 시판되는 Genesis 강성 용기와 함께 사용하도록 고안되었습니다. InstruSafe 기기 보호 시스템 카세트는 자체적으로 멸균 상태를 유지하기 위한 것이 아닙니다. 기기 모델의 전체 목록은 부록 A에 나와 있습니다.

4분 사전 진공 스팀 멸균 주기의 루멘 클레임			
Summit 카세트 모델	최소 내경	최대 길이	루멘 수
IN-2681	1mm	65mm	1
IN-2681	3mm	200mm	1
IN-6105	5mm	241mm	1
IN-0000	1mm	400mm	5
	3mm	400mm	1
	5mm	400mm	1

용도 표시(계속)

8분 스팀 및 에틸렌 옥사이드(EO), 랩 및 Genesis™ 강성 용기

InstruSafe® 기기 보호 시스템 카세트는 의료 서비스 제공자가 멸균한 다른 의료 기기를 구성 및 보호하는 데 사용됩니다. InstruSafe 시스템 카세트는 사전 진공 스팀 또는 에틸렌 옥사이드 멸균 주기 동안 밀폐형 의료 기기를 멸균할 수 있도록 고안되었습니다. InstruSafe 시스템 카세트는 합법적으로 시판되는 랩 또는 Genesis 강성 용기와 함께 사용하도록 고안되었습니다. InstruSafe 시스템 카세트는 자체적으로 무균 상태를 유지하기 위한 것이 아닙니다.

멸균 방법 및 구성

132°C에서 스팀으로 8분 전처리	
140 카운트 직조 랩	10분 건조 시간
비-직조 랩(Kimberly Clark)	50분 건조 시간
Genesis 용기(표 1에서 사용할 필터 용지 참조)	30분 건조 시간

에틸렌 옥사이드(EO)
<ul style="list-style-type: none"> 131°F(55°C), 상대 습도 70 ± 15%에서 1시간 전처리 131°F(55°C)에서 2시간 노출 12시간 통기

Genesis 용기	Genesis 용기 필터 용지
CD2-4B	FX3-1: 9x9"
CD2-5B	FX3-1: 9x9"
CD3-4B	FX3-1: 9x9"
CD3-5B	FX3-1: 9x9"
CD3-6B	FX3-1: 9x9"
CD3-7B	FX3-1: 9x9"
CD4-5B	FO3-2: 9x6"
CD5-61B	FO3-2: 9x6"
CD6-6B	FX3-1: 9x9"

Genesis 강성 용기를 사용할 때 V. Mueller Genesis 멸균기 용기 시스템 사용자 작동 지침을 참조하십시오.

STERRAD® 100S & STERRAD® 100NX® Standard 주기, 랩 및 Aesculap® 강성 용기

InstruSafe® 기기 보호 시스템 카세트는 의료 서비스 제공자에 의해 멸균된 다른 의료 기기를 구성 및 보호하는 데 사용됩니다. InstruSafe 기기 보호 시스템 카세트는 Sterrad 100S Standard 및 Sterrad 100NX Standard 멸균 주기 동안 밀폐형 의료 기기를 멸균할 수 있도록 고안되었습니다. InstruSafe 기기 보호 시스템 카세트는 합법적으로 시판되는 랩 또는 Aesculap 강성 용기와 함께 사용하도록 고안되었습니다. InstruSafe 기기 보호 시스템 카세트는 자체적으로 멸균 상태를 유지하기 위한 것이 아닙니다. 기기 모델의 전체 목록은 부록 A에 나와 있습니다.

다음 멸균 트레이는 해당 강성 용기로 검증되었습니다.

STERRAD 100S Standard 주기	
Summit 카세트 모델	Aesculap 용기 모델
IN-8823-AE	*JM444
IN-6105	*JM440

STERRAD 100NX Standard 주기	
Summit 카세트 모델	Aesculap 용기 모델
IN-8823-AE	*JM444
IN-6105	*JM440

*STERRAD 100S Standard 주기 및 STERRAD 100NX Standard 주기에서만 사용하도록 Summit Medical에 의해 검증되었습니다. 용기 지침을 참조하여 내용물이 멸균 용기의 의도된 하중을 초과하지 않게 하십시오.

STERRAD 100S Standard 및 STERRAD 100NX Standard 주기의 루멘 클레임	
내경 3mm x 길이 400mm의 스테인리스 스틸 루멘 4개	IN-2681을 제외하고 적절한 크기의 모든 모델이 부록 A에 나열되어 있습니다.
내경 3mm x 길이 200mm의 스테인리스 스틸 루멘 2개	
내경 3mm x 길이 200mm의 스테인리스 스틸 루멘 1개	IN-2681
내경 1mm x 길이 65mm의 스테인리스 스틸 루멘 1개	

용도 표시(계속)

STERRAD® NX® Standard 주기, 랩 및 Aesculap® 강성 용기

InstruSafe® 기기 보호 시스템 카세트는 의료 서비스 제공자에 의해 멸균된 다른 의료 기기를 구성 및 보호하는 데 사용됩니다. InstruSafe 기기 보호 시스템 카세트는 Sterrad NX Standard 멸균 주기 동안 밀폐형 의료 기기를 멸균할 수 있도록 고안되었습니다. InstruSafe 기기 보호 시스템 카세트는 합법적으로 시판되는 랩 또는 Aesculap 강성 용기와 함께 사용하도록 고안되었습니다. InstruSafe 기기 보호 시스템 카세트는 자체적으로 멸균 상태를 유지하기 위한 것이 아닙니다. 기기 모델의 전체 목록은 부록 A에 나와 있습니다.

멸균 방법 및 구성

- Sterrad NX Standard 멸균 주기

STERRAD NX Standard 멸균 주기의 루멘 클레임			
Summit 카세트 모델	최소 내경	최대 길이	루멘 수
IN-2681	1mm	65mm	1
IN-2681	3mm	200mm	1
IN-8987-S	1mm	500mm	5
IN-8615	2.3mm	210mm	5
IN-6105	4mm	235mm	1
참고: 통기 대 용적 계산에 기초한 최악의 사례에서 검증된 부하는 IN-2681 트레이입니다.			

STERRAD® 100NX® Express 주기, 랩

InstruSafe® 기기 보호 시스템 카세트는 의료 서비스 제공자가 멸균한 다른 의료 기기를 구성 및 보호하는 데 사용됩니다. InstruSafe 기기 보호 시스템 카세트는 Sterrad® 100NX Express 멸균 주기 동안 밀폐형 의료 기기를 멸균할 수 있도록 고안되었습니다. InstruSafe 기기 보호 시스템 카세트는 합법적으로 시판되는 랩과 함께 사용하도록 고안되었습니다. InstruSafe 기기 보호 시스템 카세트는 자체적으로 멸균 상태를 유지하기 위한 것이 아닙니다. InstruSafe 기기 보호 시스템에는 Sterrad 100NX Express 주기에 대한 루멘 클레임이 없습니다.

STERRAD® 100NX® Flex 멸균 주기, 랩 및 Aesculap® 강성 용기

InstruSafe® 기기 보호 시스템 카세트는 의료 서비스 제공자에 의해 멸균된 다른 의료 기기를 구성 및 보호하는 데 사용됩니다. InstruSafe 기기 보호 시스템 카세트는 Sterrad 100NX Flex 멸균 주기 동안 밀폐형 의료 기기를 멸균할 수 있도록 고안되었습니다. InstruSafe 기기 보호 시스템 카세트는 합법적으로 시판되는 랩 또는 Aesculap 강성 용기와 함께 사용하도록 고안되었습니다. InstruSafe 기기 보호 시스템 카세트는 자체적으로 멸균 상태를 유지하기 위한 것이 아닙니다. 기기 모델의 전체 목록은 부록 A에 나와 있습니다.

STERRAD 100NX Flex 멸균 주기	
Summit 카세트 모델	Aesculap 용기 모델
IN-0000	*JM440
IN-6105	*JM440
*STERRAD 100NX Flex 멸균 주기에서만 사용하도록 Summit Medical에 의해 검증되었습니다. 용기 지침을 참조하여 내용물이 멸균 용기의 의도된 하중을 초과하지 않게 하십시오.	

STERRAD 100NX Flex 멸균 주기의 루멘 클레임				
Summit 카세트 모델	최소 내경	최대 길이	루멘 수	랩/강성 용기
IN-0000	1mm	850mm	1	랩 + 강성 용기
IN-8823	1mm	850mm	1	랩 + 강성 용기
IN-7344	1mm	850mm	1	랩
IN-6105	4mm	235mm	1	랩 + 강성 용기

통기 대 용적 계산에 기초한 최악의 사례에서 검증된 부하는 IN-0000 트레이입니다.

참고: IN-0000 트레이는 테스트 목적으로만 사용됩니다.

용도 표기(계속)

AMSCO® V-PRO® 저온 멸균 주기, 랩 및 Aesculap® 강성 용기

InstruSafe® 기기 보호 시스템 카세트는 의료 서비스 제공자가 멸균한 다른 의료 기기를 구성 및 보호하는 데 사용됩니다. InstruSafe 기기 보호 시스템 카세트는 Amsco V-PRO 저온 멸균 주기 동안 밀폐형 의료 기기를 멸균할 수 있도록 고안되었습니다. InstruSafe 기기 보호 시스템 카세트는 합법적으로 시판되는 랩 또는 Aesculap 강성 용기와 함께 사용하도록 고안되었습니다. InstruSafe 기기 보호 시스템 카세트는 자체적으로 멸균 상태를 유지하기 위한 것이 아닙니다. 기기 모델의 전체 목록은 부록 A에 나와 있습니다.

AMSCO V-PRO 저온 멸균 시스템			
멸균기	Standard 주기	루멘 주기	비 루멘 주기
V-PRO 1	X	N/A	N/A
V-PRO 1 PLUS	N/A	X	X
V-PRO maX	N/A	X	X
V-PRO maX 2	N/A	X	X
Summit 카세트 모델		Aesculap 용기 모델	
IN-8823		*JM444	
IN-6105		*JM742	
*AMSCO V-PRO 저온 멸균 시스템에서만 사용하도록 Summit Medical에 의해 검증되었습니다. 멸균 장벽으로 Aesculap 용기를 사용할 때, 적재물(Summit 트레이 및 내용물)이 용기의 중량이나 하중 유형에 대한 적정 하중을 초과하지 않아야 합니다.			

검증된 기기의 루멘 크기는 다음과 같습니다.			
Summit 카세트 모델	최소 내경	최대 길이	루멘 수
IN-8823	3mm	400mm	2
IN-6105	3mm	200mm	1
IN-2681	1mm	64mm	1
참고: 통기 대 용적 계산에 기초한 최악의 사례에서 검증된 부하는 IN-2681 트레이입니다.			

용도 표기(계속)

VP4 Sterizone, Wrap & Aesculap® 강성 용기

InstruSafe® 기기 보호 시스템 카세트(트레이)는 의료 서비스 제공자가 멸균하는 기타 의료 기기를 정리하고 보호하는 데 사용됩니다. InstruSafe 기기 보호 시스템 카세트는 STERIZONE VP4 멸균 1 주기 동안 동봉된 의료 기기를 멸균할 수 있도록 고안되었습니다. InstruSafe 기기 보호 시스템 카세트는 합법적으로 시판되는 랩 또는 Aesculap 강성 용기와 함께 사용하도록 고안되었습니다. InstruSafe 기기 보호 시스템 카세트는 자체적으로 멸균 상태를 유지하기 위한 것이 아닙니다.

Summit Medical은 일반 기리, 루멘이 있는 강성 및 반강성 기기, 유연한 내시경을 포함한 의료 기기의 대표적인 샘플을 사용하여 멸균 효능을 시연함으로써 STERIZONE VP4 멸균기의 1 주기에서 InstruSafe 기기 보호 시스템 카세트의 사용을 검증했습니다. 모든 모델이 다음의 카세트 환기, 내부 선반 및 무게에 대한 검증된 한계 내에 있는지 확인하기 위해 InstruSafe 기기 보호 시스템 카세트 범위에 적용되는 설계 한계를 설정하는 데 사용된 정보를 검증에서 제공했습니다.

- 최소 환기 대 체적비, 일반 기기: 0.073
- 최소 환기 대 체적비, 유연한 내시경: 0.263
- 내부 선반의 최대 수: 둘(2)
- 최대 카세트 무게(내용물 포함): 25lbs/카세트

InstruSafe 기기 보호 시스템 카세트를 사용하여 검증된 부하에 대해서는 아래 표를 참조하십시오. 부하가 멸균기에 대해 요구된 제한을 초과하지 않는지 확인하기 위해 멸균기 제조 업체의 사용 지침을 참조하십시오.

InstruSafe 기기 보호 시스템 부하에 대한 설명.

STERIZONE®의 대표 VP4 멸균기 검증 부하 번호. (K190260)	Summit 의료 검증 부하 설명	총 부하 중량 (25lbs 로딩 랙 제외)
4	<p>부하 4a: 강성 및 반강성 채널 기기에 대한 하중 한계로 구성됨:</p> <ul style="list-style-type: none"> • 세(3) 개의 이중 채널 반강성 내시경(요관경 - 0.7mm x 500mm 및 1.1mm x 500mm)이 IN 7323-R 카세트 세(3) 개에 카세트당 한(1) 개씩 포장되었습니다. • 총 15개 채널에 도달하도록 추가로 고정 채널 기기가 추가되었습니다. <p>각 카세트에는 적절한 실리콘 기기 홀더가 포함되어 있고 포장되어 있습니다.</p> <p>부하 4b: 강성 및 반강성 채널 기기에 대한 하중 한계로 구성됨:</p> <ul style="list-style-type: none"> • 세(3) 개의 이중 채널 반강성 내시경(요관경 - 0.7mm x 500mm 및 1.1mm x 500mm)이 IN 7323-R 카세트 세(3) 개에 카세트당 한(1) 개씩 포장되었습니다. • 총 15개 채널에 도달하도록 추가로 고정 채널 기기가 추가되었습니다. <p>각 카세트에는 적절한 실리콘 기구 홀더가 포함되어 있으며 Aesculap JM440 강성 용기에 넣었습니다.</p>	<p>부하 4a = 5lbs/카세트, 총 15lbs</p> <p>부하 4b = 11lbs/카세트, 총 33 lbs</p>
7	<p>Summit 의료 검증 부하 7a: 다음 형상을 나타내는 일반 의료 기기에 대한 부하 중량 제한으로 구성됩니다.</p> <ul style="list-style-type: none"> • 상자 잠금 힌지 • 피벗 힌지 • 루어락 <p>일반 의료 기기는 각각 무게가 25lbs인, 적절한 실리콘 홀더가 있는 세(3) 개의 IN-7323-R 카세트에 걸쳐 펼쳐져 있습니다. 카세트가 포장되었습니다.</p> <p>Summit 의료 검증 부하 7b: 다음 형상을 나타내는 일반 의료 기기에 대한 부하 중량 제한으로 구성됩니다.</p> <ul style="list-style-type: none"> • 상자 잠금 힌지 • 피벗 힌지 • 루어락 <p>일반 의료 기기는 적절한 실리콘 홀더가 있는 세(3) 개의 IN-0006-TF 카세트에 걸쳐 펼쳐져 있습니다. 카세트는 각각 무게가 25lbs인, Aesculap JM440 용기에 넣었습니다.</p>	<p>부하 7a = 25lbs/카세트, 총 75lbs</p> <p>부하 7b = 25lbs/카세트, 총 75lbs</p>
8	<p>Summit 의료 검증 부하 8a: 포장된 카세트에 총 다섯(5) 개의 굴곡 내시경 채널의 부하 제한으로 구성됨:</p> <ul style="list-style-type: none"> • 두(2) 개의 이중 채널 굴곡 내시경 (요관경 - 1mm x 850mm 및 1mm x 989mm)이 IN-0003-R 카세트에 카세트 당 한(1) 개씩 포장되었습니다. • 한(1) 개의 단일 채널 굴곡 내시경(요관경 - 1mm x 850mm)이 IN-0004-R 카세트에 포장되어 있습니다. <p>카세트에는 적절한 실리콘 기기 홀더가 포함되어 있고 포장되어 있습니다.</p> <p>Summit 의료 검증 부하 8b: 강성 용기에 포장된 카세트에 총 네(4) 개의 굴곡 내시경 채널의 부하 제한으로 구성됨:</p> <ul style="list-style-type: none"> • 두(2) 개의 이중 채널 굴곡 내시경(요관경 - 1mm x 850mm 및 1mm x 989mm)이 적절한 실리콘 홀더가 있는 IN-0003-TF 카세트에 카세트당 한(1) 개씩 포장되었습니다. <p>각 카세트는 Aesculap JM442 용기 안에 넣었습니다.</p>	<p>부하 8a = 4.3lbs/카세트, 총 13lbs</p> <p>부하 8b = 8.3lbs/카세트, 총 25lbs</p>

보관

수평 위치의 보관용 선반 위에 포장된 상태나 용기에 넣은 상태로 최종 멸균 카세트를 보관하십시오. 유효 기간 관련 정보는 랩 또는 용기 제조업체에 문의하십시오.

폐기

InstruSafe® 기기 보호 시스템이 사용 전 검사를 통과하지 못하거나, 더 이상 목적에 부합하지 않는다고 여겨지는 경우 지역의 프로토콜에 맞게 폐기되어야 합니다. 폐기가 필요하다고 인식된 경우 폐기 방법은 교차 오염 및 감염의 잠재적 위험에 따라 달라져야 합니다.

심각한 사고 보고

기기와 관련하여 발생한 모든 심각한 사고는 제조사와, 사용자 및/또는 환자가 속한 회원국의 FDA/관할 당국에 보고되어야 합니다.

보증

SUMMIT MEDICAL INSTRUSAFE 기기 보호 시스템에 대한 제한 보증.

여기에 제공된 이 제한 보증 및 구제책은 배타적이고 다른 모든 명시적인 보증을 대신하며, 여기에 명시되지 않은 한, 일체의 다른 사람이나 회사가 하는 진술 또는 표명은 무효입니다. 상품성 또는 특정 목적에의 적합성에 대한 묵시적 보증 기간은 명시적 제한 보증 기간 동안 제한됩니다. SUMMIT MEDICAL이나 그 계열사는 보증 위반이나 기타 법적 이론으로 인해 발생하는 것과 상관없이, INSTRUSAFE SYSTEM 시스템을 사용하거나 사용할 수 없어서 발생하는 우발적, 결과적 또는 특별적 손실이나 손해에 대해 책임을 지지 않습니다.

이 제한 보증은 특정 법적 권리를 제공하며, 귀하는 주마다 차이가 있는 다른 권리를 가질 수도 있습니다. 일부 주에서는 묵시적 보증 기간에 대한 제한을 허용하지 않거나, 우발적 또는 결과적 손해의 배제나 제한을 허용하지 않으므로 위의 제한이나 배제가 귀하에게 적용되지 않을 수 있습니다.

보증 포함. Summit Medical은 이 제한 보증과 함께 제공되는 InstruSafe 시스템이 제조업체의 사양을 준수하며, 최초 구매일로부터 12개월의 기간 동안 제조 기술 및 재료에 결함이 없음을 최초 구매자에게 보증합니다. 원래 구매자가 InstruSafe 시스템을 다른 당사자에게 양도하는 경우, 제품을 양도하는 당사자는 이 제한 보증을 시행할 수 없습니다.

문제를 해결하기 위해 당사가 취하는 조치. 이 기간 동안 InstruSafe 시스템에 결함이 있는 것으로 판명되는 경우, Summit Medical 또는 Summit Medical의 공인 유통업체나 딜러에게 이를 통지해야 합니다. 귀하는 Summit Medical 또는 그 대리인이 Summit Medical이 적절하다고 간주하는 조사, 검사 및 테스트를 수행하도록 허용해야 하며, 그렇게 하라는 요청이 있는 경우, 귀하는 아래에 명시된 주소의 공장으로 제품을 반납해야 합니다. 이 제한 보증에 따른 Summit Medical의 유일한 의무는 부품 비용이나 인건비 없이 결함이 있는 제품을 수리 또는 교체하는 것입니다. 보증 서비스를 위해 InstruSafe 시스템 제품을 제공할 때 발생하는 우편 요금, 보험료 또는 배송 비용은 귀하의 책임입니다.

보증 제외. 이 제한 보증은 제품의 올바른 사용 및 유지 보수에 따라 결정됩니다. 이 보증은 부적절하게 배송되었거나, 오용, 남용, 방치된 제품 또는 부적절하게 유지 보수, 세척 또는 보관된 제품, Summit Medical 또는 Summit Medical의 공인 유통업체나 딜러 이외의 업체에서 서비스를 받은 제품, 또는 Summit Medical의 명시적인 승인 없이 개조된 제품에는 적용되지 않습니다. 사용 설명서의 지침을 따르지 않으면 제품을 부적절하게 사용하거나 유지 보수하는 것으로 간주되어 본 제한 보증이 적용되지 않을 수 있습니다. 이 보증은 정상적인 마모나 교체용 품목에는 적용되지 않습니다.

이 보증과 관련하여 질문이나 요청이 있는 경우, 다음 연락처로 문의하십시오.

고객 서비스 부서

Summit Medical

815 Vikings Parkway, Suite 100

St. Paul, MN 55121 | USA

www.instrusafe.com

전화: 651-789-3939 | 888-229-2875

팩스: 651-789-3979 | 888-229-1941

이메일: customerservice@innoviamedical.com

本書で提供される指示で、再利用可能な医療機器を再処理できることが機器メーカーによって検証されています。

個々の滅菌器、器具の清浄度、器具トレイの特定の装填、器具の種類と形状、滅菌容器、フィルター、包装は場所によって異なります。

製品を使用する前に、このセクションをお読みください

用途/適用の概要

InstruSafe®器具保護システムカセット/トレイは、再利用可能な医療機器を輸送、滅菌、保管中に、それらを収容・保護することを目的としています。

InstruSafe®器具保護システムカセット/トレイは、医療提供者によって滅菌された他の医療機器を整理および保護するために使用されます。

InstruSafe器具保護システムカセット/トレイは、以下の滅菌サイクル中に密閉された医療機器の滅菌を可能にすることを目的としています。

- 事前真空蒸気 (ISO 17665-1およびEN 285)
- 酸化エチレン (ISO 11135)
- 検証済低温殺菌 (ISO 14937) すなわち、
 - STERRAD® 100S Standard (ショート)
 - STERIS® AMSCO® V-PRO 1®, V-PRO 1 Plus, V-PRO maX and V-PRO maX 2
 - STERRAD® 100NX® Express, StandardおよびFlex
 - Sterizone® VP4
 - STERRAD® NX® Standard

InstruSafe器具保護システムカセット/トレイは、それ自体で無菌性を維持することを目的としたものではありません。InstruSafe器具保護システムカセット/トレイは、合法的に販売されているラップ、Aesculap®硬質容器、またはGenesis™硬質容器と組み合わせて使用することを目的としています。

InstruSafe滅菌コンテナは、510(k) K180528 において、InstruSafe 器具保護システムカセット/トレイ (事前真空、270°F (132°C), 4分間蒸気滅菌サイクルのみ) との使用が認証されています。詳細については、InstruSafe® 滅菌容器の使用説明書を参照してください。

機器モデルの完全なリストは付録 A に記載されており、www.instrusafe.com/ifus で参照することもできます。

機器の説明

Summit Medical InstruSafe器具保護システムは、滅菌プロセスおよびその後の保管および輸送中に、手術器具および器具付属品を整頓した状態に密閉して保持するために使用されるカセット/トレイです。カセット/トレイは、患者と直接接触しません。カセット/トレイ自体は、無菌性を維持しません。ラッチ可能なカバー付きの長方形のベースを基本構造とし、異なるサイズが存在します。カセット/トレイには、滅菌剤を浸透させるための穴があります。また、滅菌プロセスおよびその後の保管および輸送中にカセット/トレイ内の外科器具を保持、整理、保護するために、ベースおよび/またはカバーにシリコン挿入物を含みます。

対象となる使用者

InstruSafe®器具保護システムは、医療機器の輸送、滅菌、保管のために、手術室および滅菌処理部門の医療専門家が使用することを目的としています。

処理の制限

1. InstruSafe器具保護システムの耐用年数は、最低25滅菌サイクルで終了します。使用前にトレイを点検して、使用による摩耗や損傷がないか確認してください。腐食、機械的故障、割れ、剥離、薄片化、溶接部の破損、脚部の破損、ラッチの破損、Hold-Its®/Hold-Downsの破損、変色など、目に見える摩耗の兆候がある場合は、使用を中止してください。
2. 滅菌方法と構成については、表2を参照してください。
3. InstruSafeシステムまたはコンポーネントに過荷重をかけないでください。
4. 個々のHold-Itsスロットに過重をかけないでください。Hold-Itsスロットごとに1つの機器を配置します。
5. 硬質容器を使用する場合は、InstruSafeシステムまたはコンポーネントを包装せずに、滅菌の容器内に置いてください。
6. 滅菌器内では、個別に包装された、または容器に入れられたInstruSafeシステムまたはコンポーネントを積み重ねないでください。包装された、または容器に入れられたInstruSafeシステムまたはコンポーネントを相互に、または滅菌器の別々の棚にある他のアイテムから離し、滅菌剤の流れを最大化します。
7. 非吸収性トレイ・ライナー (シリコンフィンガー整理マットなど) を使用すると、凝縮液が溜まる場合があります。目に見える水分が存在する場合、より長い乾燥時間で再滅菌します。
8. 容器システムの総重量 (容器、トレイ、機器の積載量など) は25ポンド(11.34kg)を超えてはなりません。
9. 器具 (内視鏡や、ルーメンまたはチャンネルを備えた器具など) は、器具の製造元の指示に従って準備および滅菌する必要があります。
10. 滅菌プロセスで提示された、器具および容器に適用される最終滅菌プロセスの特定の検証を継続して行うことは、処理者の責任です。
11. その他の制限 (寸法や重量の制約など) については、滅菌器製造元の使用説明書を参照してください。

警告

- アルミニウムInstruSafeシステムの場合、表面の損傷を避けるために、中性pH (6.0~8.5) 洗剤のみを使用してください。高酸性または高アルカリ性のpHの洗剤は、カセットおよび金属部品の陽極酸化アルミニウム表面に永久的な損傷を与える可能性があります。
- パッケージが破損しているか、使用前に意図せず開封した場合は使用しないでください。

注：使用を開始する前に、提供された指示に従ってカセットを洗浄および検査してください。

普遍的な予防措置

- スタッフは、雇用主/部門の作業手順で必要とされる汚染レベルに応じて、すべての個人用保護服と装置を着用する必要があります。
- 腐食を防ぐため、滅菌中は異種金属を分離してください。

使用ポイント

使い捨ての布/ペーパーワイプで大きな汚れを取り除きます。汚染されたコンポーネントは、適切な洗浄プロセスを適用できるようになるまで湿らせた状態にしておく必要があります。

洗浄

カセット内の機器の洗浄の具体的な手順については、機器メーカーの使用説明書を参照してください。

次の検証済みの洗浄オプションのいずれかを使用してカセット/トレイを洗浄することをお勧めします。

アルミニウムカセットの損傷を防ぐため、炭酸ナトリウムを含まない中性pH (6.0~8.5) 溶液のみを使用します。

研磨パッドや研磨クリーナーは**使用しないでください**。カセットを液体中に**保管しないでください**。

1.手動によるおおまかな汚染除去：

- A. 必要な材料：中性pH (6.0~8.5) 酵素洗剤、柔らかい毛ブラシ、および流水。
- B. 柔らかい毛ブラシを使用して、目に見える汚れと汚染物をすべて取り除きます。汚染物質の除去を助け、人への洗剤の飛散を最小限に抑えるため、洗浄中はカセット全体を最低2分間浸してください。
- C. きれいな水で最低1分間完全にすすぎ、すべての洗剤を除去します。洗剤のラベルにあるすすぎの手順を参照してください。

2.超音波洗浄：

- A. 超音波洗浄ユニットに酵素洗浄液を準備します。
- B. 一つのカセットを洗剤に入れ、最低10分間超音波洗浄を実施します。
- C. 冷たい水道水で最低2分間すすぎます。
- D. カセットの汚れを目視で検査します。必要に応じてサイクルを繰り返して、目に見える汚れを取り除きます。

3.自動洗浄機：

InstruSafe器具保護システムは、表1にリストされている自動洗浄システムサイクルに対して検証されています。特定のパラメータの認定は、処理担当者が行う必要があります。

表1

サイクル	水温	洗浄プロセス
事前洗浄1および2	冷たい水道水	再循環時間： 2分
酵素洗浄	熱い水道水	浸漬時間： 4分
洗浄1	150°F (65.5°C) で加熱	再循環時間： 15分
すすぎ1及び2	熱い水道水	再循環時間： 5分

注：自動洗浄サイクルの完了後、目に見える汚れが残っていないか、InstruSafeシステム（カセットとアクセサリ）を目視で検査します。目に見える汚れはすべて、滅菌に送る前に、手洗い、ブラッシング、超音波、または追加の自動サイクルで除去する必要があります。

消毒

InstruSafeシステムは、最終滅菌することを目的としています。

保守、検査、およびテスト

InstruSafeシステムは、腐食、亀裂、錆、剥離、薄片化、変色、機械的故障などの許容できない劣化が発生するまで再利用できます。

機械的故障の兆候は次のとおりです。

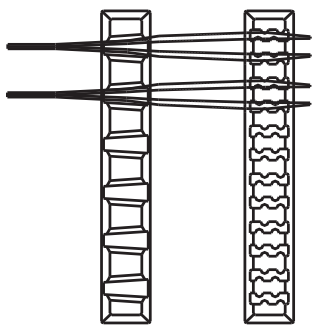
- 角または溶接部の破損または亀裂
- 破損した、または機能していないラッチ
- シリコン挿入物の欠落、破れ、または切断
- 脚部の欠落または損傷

組み立て

1.すべての器具の表面が滅菌剤にさらされるように、所定のホルダーまたは位置決めポストで定義された領域に器具を配置します。**図A**を参照してください。各スロットに機器が1つだけであることを確認してください。可能な場合は、機器の製造元の指示に従って、機器のすべての部品を分解または開いてください。

ホルダーを過重にしたり、カセットの重量制限を超えたりしないでください。付録Aを参照してください。

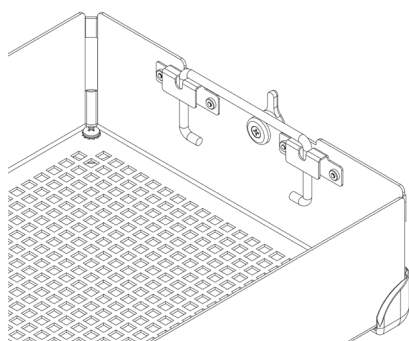
図A



注: 器具 (内視鏡や内腔やチャンネルを備えた器具など) は、器具の製造元の使用指示に従って準備および滅菌する必要があります。

2.ハンドルがカセット内に配置されていることを確認してください (格納位置)。**図B**に示されています。

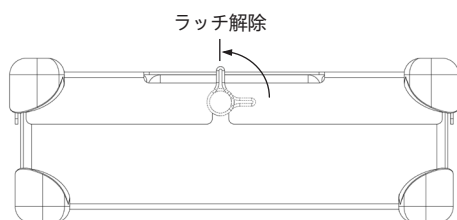
図B



3.カセットカバーをカセットベースに置き、ラッチがカセットカバーのラッチスロットに正しく配置されていることを確認してから、ラッチを閉じます。

図Cを参照してください。

図C

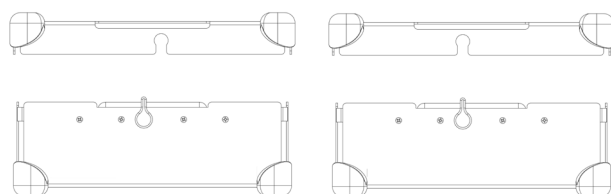


注: カセットカバーが常にベースと適切に揃うように、ラッチがオフセットされています。これにより、カバーを固定したときにホルダーが確実に位置合わせされます。適切な位置合わせについては、**図D**を参照してください。
楽器やカセットに損傷を与える可能性があるため、カセットカバーをカセットベースに無理に押し込まないでください。

図D

不適切な位置合わせ

適切な位置合わせ



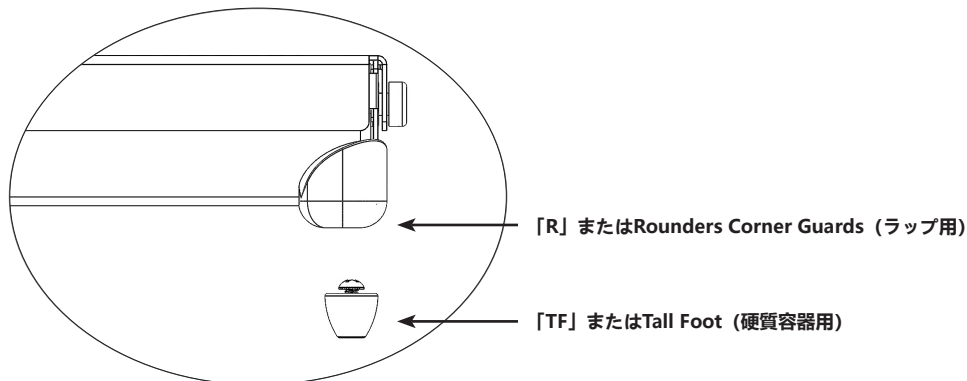
梱包

InstruSafeシステムは、合法的に販売されているラップで包装するか、合法的に販売されている硬質容器に入れることができます。使用説明書に記載されている使用指示書を参照してください。

ラップでの使用:

1.カセットを包む前に、正しいフィットスタイルになっていることを確認してください。Rをラップとともに使用する必要があります。**図F**を参照してください。

図F



2.カセットは、ラップメーカーの指示に従い、正規のラップを使用して包装してください。

3.使用説明書に記載されている滅菌サイクルのいずれかを使用して、パックを滅菌します。

硬質容器の使用:

使用説明書に記載されている指示書を参照してください。

1.カセットを硬質容器に入れる前に、正しいフィットスタイルになっていることを確認してください。TFは硬質容器で使用する必要があります。**図F**を参照してください。

2.カセットを硬質容器に入れます。容器の密封については、容器の製造元の指示に従ってください。

注: 滅菌のために容器に入れる場合はカセットを包まないでください。

3.使用説明書に記載されている滅菌サイクルのいずれかを使用して、容器と内容物を滅菌します。

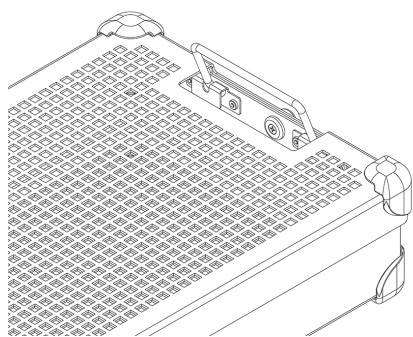
追加情報:

カセットを硬質容器から無菌状態で取り出すには、容器の製造元の使用説明書に従ってください。

1.手袋をはめた手で、手のひらを外側に置き、カセットカバーの開口部から手を伸ばします。

2.カセットハンドルをつかみ、上位置まで持ち上げます。**図G**を参照してください。

図G



3.ハンドルを内側に傾けて硬質容器の側面から離し、容器の上部または外側に触れないように注意しながらカセットを容器から持ち上げます。

4.滅菌面にカセットを配置します。

滅菌

InstruSafeシステムの滅菌に適すると認められた滅菌パラメータについては、表2を参照してください。

表2

滅菌方法	サイクル (回)
事前真空蒸気	パラメータ: 温度 270°F (132°C) 曝露時間 4分 乾燥時間 30分
酸化エチレン (EO)	事前調整: 温度 55°C (131°F) 相対湿度 70±15% 事前調整時間 1時間 滅菌: 曝露時間 120分 温度 55°C (131°F) 曝気時間 12時間
STERRAD 100S	Standard
STERRAD 100NX	Standard, Express, Flex
STERRAD NX	Standard
STERIS AMSCO V-PRO 1	Standard
STERIS AMSCO V-PRO 1 PLUS	内腔、非内腔
STERIS AMSCO V-PRO maX	内腔、非内腔
STERIS AMSCO V-PRO maX 2	内腔、非内腔
Sterizone VP4	サイクル1

Summit Medicalは、以下の滅菌方法を検証しています。

- FDAによって承認された合法的に販売されているラップ、InstruSafe滅菌コンテナ、Aesculap硬質容器またはGenesis硬質容器での4分間のオートクレーブ滅菌サイクル。K180528 では、InstruSafe 滅菌コンテナがInstruSafe 器具保護システム・カセット/トレイに使用できることが検証されています。
- FDAによって承認された合法的に販売されているラップまたはGenesis滅菌容器での酸化エチレン (EO) 滅菌サイクル。
- FDAによって承認された合法的に販売されているラップまたはAesculap硬質容器でのSTERRAD 100S Standard滅菌サイクル。
- FDAによって承認された合法的に販売されているラップまたはAesculap硬質容器でのSTERRAD 100NX Standard滅菌サイクル。
- FDAによって認可された合法的に販売されているラップでのSTERRAD 100NX Express滅菌サイクル。
- FDAによって承認された合法的に販売されているラップまたはAesculap硬質容器のSTERRAD 100NX Flex滅菌サイクル。
- FDAによって承認された合法的に販売されているラップとAesculap硬質容器のSTERRAD NX Standard滅菌サイクル。
- FDAによって承認された合法的に販売されているラップまたはAesculap硬質容器でのSTERIS AMSCO V-PRO、V-PRO 1 PLUS、V-PRO maX、V-PRO maX 2標準滅菌サイクル。
- FDAによって承認された合法的に販売されているラップとAesculap硬質容器のSterizone VP4滅菌サイクル。

メーカーが指定する滅菌容器の積載量を**超えない**でください。

FDAが承認したアクセサリを使用して、無菌状態を維持してください。

滅菌器の取扱説明書を参照して、目的の荷重が滅菌サイクルに適合することを確認してください。

容器の使用説明書を参照して、目的の積載量が
容器のFDA認可済み積載量に適合することを確認してください。

用途

4分間のスチーム、ラップ、およびAesculap®硬質容器

InstruSafe®器具保護システムカセットは、医療提供者によって滅菌される他の医療機器を整理および保護するために使用されます。InstruSafe器具保護システムカセットは、真空前の蒸気滅菌サイクル中に密閉医療機器の滅菌を可能にすることを目的としています。InstruSafe器具保護システムカセットは、合法的に販売されているラップまたはAesculap硬質容器と組み合わせて使用することを意図しています。InstruSafe器具保護システムカセットは、それ自体で無菌性を維持することを目的としたものではありません。

オートクレーブ滅菌パラメーター	
サイクル	事前真空
温度	270°F (132°C)
曝露時間	4分
最小乾燥時間	30分
Summitカセットモデル	Aesculap容器モデル
IN-8823-AE	*JN444
IN-2880	*JK444
IN-6105	*JN742
* 270°F (132°C) で4分間の曝露時間で動作する真空前蒸気滅菌器での使用について、Summit Medicalによって検証済み。容器の取扱説明書を参照して、内容物が滅菌容器の意図した積載量を超えないようにしてください。	

4分間の真空前の蒸気滅菌サイクルに対する内腔Claims			
Summitカセットモデル	最小内径	最大長	内腔数
IN-8823-CF	3mm	400mm	4
IN-8823-CF	3mm	200mm	2
IN-2880	1mm	76mm	2
IN-2880	3mm	177mm	1
IN-6105	5mm	241mm	1
IN-2681	1mm	65mm	1
IN-2681	3mm	200mm	1
IN-7823	1mm	400mm	17

4分間のスチーム、Genesis™硬質容器

InstruSafe®器具保護システムカセットは、医療提供者によって滅菌される他の医療機器を整理および保護するために使用されます。InstruSafe器具保護システムカセットは、真空前の蒸気滅菌サイクル中に密閉医療機器の滅菌を可能にすることを目的としています。InstruSafe器具保護システムカセットは、合法的に販売されているGenesis硬質容器と組み合わせて使用することを目的としています。InstruSafe器具保護システムカセットは、それ自体で無菌性を維持することを目的としたものではありません。機器のモデルの完全なリストは、付録Aに記載されています。

4分間の真空前の蒸気滅菌サイクルに対する内腔Claims			
Summitカセットモデル	最小内径	最大長	内腔数
IN-2681	1mm	65mm	1
IN-2681	3mm	200mm	1
IN-6105	5mm	241mm	1
IN-0000	1mm	400mm	5
	3mm	400mm	1
	5mm	400mm	1

適用 (続き)

8分間の蒸気および酸化エチレン (EO)、ラップおよびGenesis™硬質容器

InstruSafe®器具保護システムカセットは、医療提供者によって滅菌された他の医療機器を整理および保護するために使用されます。InstruSafeシステムカセットは、事前真空蒸気または酸化エチレン滅菌サイクル中に封入された医療機器の滅菌を可能にすることを目的としています。InstruSafeシステムカセットは、合法的に販売されている中央のラップまたはGenesis硬質容器と組み合わせて使用することを目的としています。InstruSafeシステムカセットは、それ自体で無菌性を維持することを目的としたものではありません。

滅菌方法と構成

132°Cで8分間の事前調整	
140カウント織ラップ	乾燥時間10分
不織布ラップ (Kimberly Clark)	乾燥時間50分
Genesis容器 (使用するろ紙については表1を参照)	乾燥時間30分

酸化エチレン (EO)
<ul style="list-style-type: none"> 相対湿度70±15%で55°C (131°F) で1時間の事前調整 55°C (131°F) で2時間の曝露 12時間曝気

Genesis容器	Genesis容器ろ紙
CD2-4B	FX3-1: 9x9インチ
CD2-5B	FX3-1: 9x9インチ
CD3-4B	FX3-1: 9x9インチ
CD3-5B	FX3-1: 9x9インチ
CD3-6B	FX3-1: 9x9インチ
CD3-7B	FX3-1: 9x9インチ
CD4-5B	FO3-2: 9x6インチ
CD5-61B	FO3-2: 9x6インチ
CD6-6B	FX3-1: 9x9インチ

Genesis硬質容器を使用する場合は、V・Mueller Genesis滅菌容器システムユーザーの操作説明書を参照してください。

STERRAD® 100S & STERRAD® 100NX® Standardサイクル、ラップ、およびAesculap®硬質容器

InstruSafe®器具保護システムカセットは、医療提供者によって滅菌される他の医療機器を整理および保護するために使用されます。InstruSafe器具保護システムカセットは、Sterrad 100S StandardおよびSterrad 100NX Standardの滅菌サイクル中に密閉医療機器の滅菌を可能にすることを目的としています。InstruSafe器具保護システムカセットは、合法的に販売されているラップまたはAesculap硬質容器と組み合わせて使用することを意図しています。InstruSafe器具保護システムカセットは、それ自体で無菌性を維持することを目的としたものではありません。機器のモデルの完全なリストは、付録Aに記載されています。

以下の滅菌トレイは、対応する硬質容器で検証されました:

STERRAD 100S Standardサイクル	
Summitカセットモデル	Aesculap容器モデル
IN-8823-AE	*JM444
IN-6105	*JM440

STERRAD 100NX Standardサイクル	
Summitカセットモデル	Aesculap容器モデル
IN-8823-AE	*JM444
IN-6105	*JM440

* STERRAD 100S StandardサイクルおよびSTERRAD 100NX Standardサイクルのみで使用するためにSummit Medicalによって検証済み。容器の取扱説明書を参照し、内容物が滅菌容器の意図した積載量を超えないようにしてください。

STERRAD 100S StandardおよびSTERRAD 100NX Standardサイクルのルーメンクレーム	
内径3mm x長さ400mmの4つのステンレス鋼ルーメン	IN-2681を除き、適切なサイズのモデルはすべて付録Aにリストされています。
内径3mm x長さ200mmの2つのステンレス鋼ルーメン	
内径3mm x長さ200mmの1つのステンレス鋼ルーメン	IN-2681
内径1mm x長さ65mmの1つのステンレス鋼ルーメン	

適用 (続き)

STERRAD® NX® Standardサイクル、ラップ、およびAesculap®硬質容器

InstruSafe®器具保護システムカセットは、医療提供者によって滅菌される他の医療機器を整理および保護するために使用されます。InstruSafe器具保護システムカセットは、Sterrad NX Standard滅菌サイクル中に密閉医療機器の滅菌を可能にすることを目的としています。InstruSafe器具保護システムカセットは、合法的に販売されているラップまたはAesculap硬質容器と組み合わせて使用することを意図しています。InstruSafe器具保護システムカセットは、それ自体で無菌性を維持することを目的としたものではありません。機器のモデルの完全なリストは、付録Aに記載されています。

滅菌方法と構成

-Sterrad NX Standard滅菌サイクル

STERRAD NX Standard滅菌サイクルの内腔Claims			
Summitカセットモデル	最小内径	最大長	内腔数
IN-2681	1mm	65mm	1
IN-2681	3mm	200mm	1
IN-8987-S	1mm	500mm	5
IN-8615	2.3mm	210mm	5
IN-6105	4mm	235mm	1
注: 通気量の計算に基づいて検証された積載量のうち最悪のケースはIN-2681トレイです。			

STERRAD® 100NX® Expressサイクル、ラップ

InstruSafe®器具保護システムカセットは、医療提供者によって滅菌される他の医療機器を整理および保護するために使用されます。InstruSafe器具保護システムカセットは、Sterrad® 100NX Expressサイクル中に密閉医療機器の滅菌を可能にすることを目的としています。InstruSafe器具保護システムカセットは、合法的に販売されているラップと組み合わせて使用することを目的としています。InstruSafe器具保護システムカセットは、それ自体で無菌性を維持することを目的としたものではありません。InstruSafe器具保護システムには、Sterrad 100NX Expressサイクルのルーメンクレームはありません。

STERRAD® 100NX® Flexサイクル、ラップ、およびAesculap®硬質容器

InstruSafe®器具保護システムカセットは、医療提供者によって滅菌される他の医療機器を整理および保護するために使用されます。InstruSafe器具保護システムカセットは、Sterrad 100NX Flex滅菌サイクル中に密閉医療機器の滅菌を可能にすることを意図しています。InstruSafe器具保護システムカセットは、合法的に販売されているラップまたはAesculap硬質容器と組み合わせて使用することを意図しています。InstruSafe器具保護システムカセットは、それ自体で無菌性を維持することを目的としたものではありません。機器のモデルの完全なリストは、付録Aに記載されています。

STERRAD 100NX Flex滅菌サイクル	
Summitカセットモデル	Aesculap容器モデル
IN-0000	*JM440
IN-6105	*JM440
* STERRAD 100NX Flex滅菌サイクルのみで使用するためにSummit Medicalにより検証済み。容器の取扱説明書を参照し、内容物が滅菌容器の意図した積載量を超えないようにしてください。	

STERRAD 100NX Flex滅菌サイクルの内腔クレーム				
Summitカセットモデル	最小内径	最大長	内腔数	ラップ/硬質容器
IN-0000	1mm	850mm	1	ラップ + 硬質容器
IN-8823	1mm	850mm	1	ラップ + 硬質容器
IN-7344	1mm	850mm	1	ラップ
IN-6105	4mm	235mm	1	ラップ + 硬質容器

通気量の計算に基づいて検証された積載量のうち最悪のケースはIN-0000トレイです。

注: IN-0000トレイはテスト専用です。

用途 (続き)

AMSCO® V-PRO®低温滅菌サイクル、ラップおよびAesculap®硬質容器

InstruSafe®器具保護システムカセットは、医療提供者によって滅菌された他の医療機器を整理および保護するために使用されます。InstruSafe器具保護システムカセットは、Amsco V-PRO低温滅菌サイクル中に密閉医療機器の滅菌を可能にすることを意図しています。InstruSafe器具保護システムカセットは、合法的に販売されているラップまたはAesculap硬質容器と組み合わせて使用することを意図しています。InstruSafe器具保護システムカセットは、それ自体で無菌性を維持することを目的としたものではありません。機器のモデルの完全なリストは、付録Aに記載されています。

AMSCO V-PRO低温滅菌システム			
滅菌器	標準サイクル	内腔サイクル	非内腔サイクル
V-PRO 1	X	該当なし	該当なし
V-PRO 1 PLUS	該当なし	X	X
V-PRO maX	該当なし	X	X
V-PRO maX 2	該当なし	X	X
Summitカセットモデル		Aesculap容器モデル	
IN-8823		*JM444	
IN-6105		*JM742	
* AMSCO V-PRO低温滅菌システムでのみ使用するためにSummit Medicalにより検証済み。Aesculap容器を無菌バリアとして使用する場合、積載量 (Summitトレイと内容物) は、重量または積載の種類において、容器の積載量の制限を超えないようにしてください。			

検証された器具の内腔サイズは次のとおりです。			
Summitカセットモデル	最小内径	最大長	内腔数
IN-8823	3mm	400mm	2
IN-6105	3mm	200mm	1
IN-2681	1mm	64mm	1
注: 通気量の計算に基づいて検証された荷重のうち最悪のケースはIN-2681トレイです。			

用途 (続き)

VP4 Sterizone、ラップおよびAesculap®硬質容器

InstruSafe®器具保護システムカセット (トレイ) は、医療提供者によって滅菌された他の医療機器を整理および保護するために使用されます。InstruSafe器具保護システムカセットは、STERIZONE VP4 sterilization サイクル中に密閉医療機器の滅菌を可能にすることを意図しています。InstruSafe器具保護システムカセットは、合法的に販売されているラップまたはAesculap硬質容器と組み合わせて使用することを意図しています。InstruSafe器具保護システムカセットは、それ自体で無菌性を維持することを目的としたものではありません。

Summit Medicalは、一般器具、ルーメン付き硬・半硬質器具、軟性内視鏡などの代表的な器具を用いた滅菌デモンストレーションにより、STERIZONE VP4滅菌器のサイクル1でInstruSafe 器具保護システムカセットの使用を検証しています。この検証により、InstruSafe器具保護システムのカセット全体に適用される設計限界を設定するための情報が得られ、すべてのモデルがカセットの換気、内部棚、重量について検証された限界内に収まることが確認されました。

- 最小換気量対体積比、一般的な機器。0.073
- 最小限の換気量と体積の比率、軟性内視鏡。0.263
- 内部棚板の最大枚数。2 (二枚)
- カセットの最大重量 (内容物を含む) : 25 lbs / カセット

InstruSafe器具保護システムカセットを使用し、検証された荷重については、以下の表を参照してください。滅菌器メーカーの使用説明書を参照し、荷重が滅菌器の主張する限界を超えないようにすることが必要です。

InstruSafe 器具保護システム荷重の説明

代表的な STERIZONE® VP4 滅菌器バリデ ーション荷重番号 (K190260)	Summit Medical検証荷重の説明	総荷重 (25ポンドの積載 ラックを除く)
4	<p>荷重4a: 硬質および半硬質のチャネリング器具の荷重制限で構成されます。</p> <ul style="list-style-type: none"> • 3本のダブルチャンネル半硬質内視鏡 (尿管鏡 - 0.7mm × 500mm および 1.1mm × 500mm) が、1カセットにつき1本ずつ、3つの IN 7323-R カセットに包装されていました。 • 追加の硬質チャンネルの機器により、合計15チャンネルです。 <p>各カセットには適切なシリコン製の器具ホルダーが同梱され、包装されています。</p> <p>荷重 4b: 硬質および半硬質のチャンネル器具の荷重制限で構成されます。</p> <ul style="list-style-type: none"> • 3本のダブルチャンネル半硬質内視鏡 (尿管鏡 - 0.7 mm × 400 mm および 1.1mm × 400mm) が、1カセットにつき1本ずつ、3つの IN-0007-TF カセットに包装されていました。 • 追加の硬質チャンネルの機器により、合計15チャンネルです。 <p>各カセットには適切なシリコン製の器具ホルダーが含まれ、Aesculap JM440の硬質容器に入れられてい、あす。</p>	<p>荷重4a= 5 lbs / カセット 15 lbs 合計</p> <p>荷重 4b= 11 lbs / カセット 33 lbs 合計</p>
7	<p>Summit Medical 検証荷重7a: 以下の形状の、一般医療機器に対する制限荷重で構成されています。</p> <ul style="list-style-type: none"> • ボックスロックヒンジ • ピボットヒンジ • ルアーロック <p>一般医療機器は、適切なシリコンホルダーを備えて、IN-7323-Rカセット3個に分けられ、それぞれ25ポンドの重さでした。カセットはラッピングされていました。</p> <p>Summit Medical 検証荷重7b: 以下の形状の、一般医療機器に対する制限荷重で構成されています。</p> <ul style="list-style-type: none"> • ボックスロックヒンジ • ピボットヒンジ • ルアーロック <p>一般医療機器は、適切なシリコンホルダーを備えたIN-0006-TFカセット3個に分けられていました。カセットはAesculap JM440のコンテナに入れられ、それぞれ25ポンドの重さでした。</p>	<p>荷重7a= 25 lbs / カセット 75 lbs 合計</p> <p>荷重 7b= 25 lbs / カセット 75 lbs 合計</p>
8	<p>Summit Medical 検証荷重8a: 包装されたカセットに収納された軟性内視鏡の5チャンネルまでの荷重制限を含んでいます。</p> <ul style="list-style-type: none"> • 2本のダブルチャンネル軟性内視鏡 (尿管鏡 - 1mm × 850mm および 1mm × 989mm) が、1カセットにつき1本ずつ IN-0003-R カセットに包装されていました。 • 1本のシングルチャンネル軟性内視鏡 (尿管鏡 - 1mm x 850mm) が1つのIN-0004-Rカセットに包装されていました。カセットには適切なシリコン製のホルダーが同梱され、包装されていました。 <p>Summit Medical 検証荷重8b: 硬質容器内に梱包されたカセットに、4つの合計軟性内視鏡チャンネルの荷重制限を含んでいます。</p> <ul style="list-style-type: none"> • 2本のダブルチャンネル軟性内視鏡 (尿管鏡 - 1mm × 850mm および 1mm × 989mm) が、1カセットにつき1本ずつ、適切なシリコンホルダーを備えた IN-0003-TF カセットに包装されていました。 <p>各カセットは、Aesculap JM442の容器内に配置されていました。</p>	<p>荷重8a= 4.3 lbs / カセット 13 lbs 合計</p> <p>荷重 8b= 8.3 lbs / カセット 25 lbs 合計</p>

保管

包装された、または容器に入れられた最終滅菌カセットは、水平にして保管棚に保管します。保存可能期間に関する情報は、ラップまたは容器の製造元にお問い合わせください。

処分

InstruSafe®器具保護システムが使用前の検査に合格しなかった場合、または目的に適さないと見なされた場合、機器は現地のプロトコルに従って処分する必要があります。廃棄の方法は、廃棄の必要性が特定された時点での二次汚染および感染の潜在的なリスクに準ずるものとしてします。

重大事故の報告

当機器に関連して発生した重大なインシデントは、ユーザーおよび/または患者が存在する加盟国の製造業者およびFDA/所轄官庁に報告する必要があります。

保証

SUMMIT MEDICALのINSTRUSAFE器具保護システムの限定保証。

この限定保証およびここで提供される救済措置は排他的であり、他のすべての明示的な保証に代わるものであり、ここに記載されている場合を除き、他の人物または会社によって行われたいかなる言明または表明も無効です。特定の目的に対する商品性または適合性の黙示的な保証の期間は、明示的な限定保証の期間に限定されます。SUMMIT MEDICALおよびその関連会社のいずれも、保証の違反またはその他の法的根拠に起因する、INSTRUSAFEシステムの使用または使用不能に起因する偶発的、結果的、または特別な損失または損害に対して責任を負わないものとしてします。

この限定保証は、お客様に特定の法的権利を付与するものであり、お客様は州ごとに異なるその他の権利を有する場合があります。一部の州では、黙示の保証期間の制限を許可していないか、偶発的または結果的な損害の除外または制限を許可していないため、上記の制限が適用されない場合があります。

対象となるもの。 Summit Medicalは、この限定保証に含まれるInstruSafeシステムがメーカーの仕様に適合し、最初の購入日から12か月間、仕上がりや素材に欠陥がないことを最初の購入者に対して保証します。最初の購入者がInstruSafeシステムを別の関係者に譲渡した場合、この限定保証は、製品の譲渡先の当事者には適用されません。

問題を修正するために当社が行うこと。 この期間中にInstruSafeシステムに欠陥があることが判明した場合は、Summit MedicalまたはSummit Medicalの認定ディストリビューターまたはディーラーに通知する必要があります。お客様は、Summit Medicalまたはその代表者が、Summit Medicalが適切であると判断した調査、検査、およびテストを行うことを許可する必要があります。また、要求された場合は、製品を下記の住所にある工場に返送してください。この限定保証に基づくSummit Medicalの唯一の義務は、その判断により、部品または作業費用を発生させることなく、欠陥のある製品を修理または交換することです。InstruSafeシステム製品の保証サービスを利用する際に発生する送料、保険、または配送料はお客様の負担となります。

対象とならないもの。 この限定保証は、製品の適切な使用と保守を条件とします。製品の出荷が不適切な場合、また誤用、乱用、放置、不適切な保守、洗浄、保管が行われた場合、または、Summit MedicalまたはSummit Medicalの認定ディストリビューターまたはディーラー以外によって修理作業が行われた、またはサミットメディカルの明示的な承認なしに変更された場合は対象外となります。取扱説明書の指示に従わない場合、製品の不適切な使用または保守が行われたとみなし、この限定保証が適用されない可能性があります。この保証は、通常の摩耗や交換品には適用されません。

この保証に関連する質問またはクレームがある場合は、以下にお問い合わせください：

顧客サービス部門

Summit Medical

815 Vikings Parkway, Suite 100

St. Paul, MN 55121 | USA

www.instrusafe.com

電話番号： +1 651-789-3939

ファックス： +1 651-789-3979








Eメール： customerservice@innoviamedical.com

All custom configure-to-order (CTO) trays manufactured by Summit Medical fall within the indications for use within this IFU. / Tous les plateaux à configuration sur mesure fabriqués par Summit Medical sont soumis aux méthodes de stérilisation et configurations décrites dans la section des recommandations d'utilisation. / Für alle nach auftragsspezifischen Anforderungen gelieferten Schalen, die von Summit Medical gefertigt werden, gelten die Anwendungshinweise in dieser Gebrauchsanweisung. / Le indicazioni per l'uso contenute nelle presenti istruzioni per tutti i vassoi personalizzati (configure-to-order, CTO) prodotti da Summit Medical. / Todas las bandejas configuradas a medida (CTO) fabricadas por Summit Medical entran dentro de las indicaciones de uso de estas instrucciones de uso. / Todas as bandejas personalizadas do tipo CTO (configure-to-order) fabricadas pela Summit Medical se enquadram nas indicações de uso desta IFU. / Alle maatwerkschalen (CTO) die door Summit Medical zijn geproduceerd, vallen binnen deze gebruiksaanwijzing. / Alla anpassade tråg byggda på beställning (CTO) som tillverkas av Summit Medical faller inom indikationerna för användning inom denna IFU. / Alle bakker, der er kundespecifikt konfigureret og fremstillet af Summit Medical, falder ind under indikationerne for brug inden for rammerne af denne brugsvejledning. / Tässä käyttöohjeessa esitetyt käyttöaiheet koskevat kaikkia Summit Medicalin valmistamia mukautettuja tilauskohtaisesti konfiguroituja (CTO) telineitä. / Όλοι οι δίσκοι που κατασκευάζονται από τη Summit Medical με διαμόρφωση βάσει των προτιμήσεων του πελάτη (CTO) εμπίπτουν στις ενδείξεις χρήσης που περιέχονται στις παρούσες οδηγίες χρήσης. / Wszystkie niestandardowe tace produkowane na indywidualne zamówienie (CTO) przez Summit Medical mieszczą się we wskazaniach do stosowania w niniejszej instrukcji użytkowania. / Summit Medical tarafından üretilen tüm özel sipariş göre yapılandırılmış (configure-to-order - CTO) tepsiiler, bu Kullanma Talimatlarının kullanım endikasyonlarının kapsamındadır. / Показания к применению, изложенные в настоящей инструкции по эксплуатации, применимы ко всем сконструированному по индивидуальному заказу лоткам производства Summit Medical. / Veškeré uživatelské tácy na míru vyrobené spoločnosťou Summit Medical se řídí pokyny v tomto Návodu k použití. / A Summit Medical által gyártott összes egyedi, rendelésre konfigurált (CTO) tálcára érvényesek a jelen Használati útmutatóban jelzett használati javaslatok. / Všetky podnosy s konfiguráciou na objednávku vyrobené spoločnosťou Summit Medical spadajú pod indikácie použitia v rámci tohto Návodu na použitie. / Alle spesialkonfigurerte (CTO) brett som er produsert av Summit Medical, faller innenfor denne bruksanvisningen. / Vse konfiguracije pladnjev po naročilu (CTO), izdelane v podjetju Summit Medical, sodijo med indikacije za uporabo v tem IFU. / Указания за употреба в тези ИЗУ са валидни за всички тащи по поръчка/ конфигурирани по заявка (CTO), произведени от Summit Medical. / Toate tăvile cu configurație personalizată (CTO) produse de Summit Medical se încadrează în instrucțiunile de utilizare din cadrul acestor IDE. / Kõik eritellimused (CTO) Summit Medicali toodetud alustele kehtib käesolevas kasutusotstarve. / Visas Summit Medical paplātes, kas izgatavotas atbilstoši individuāliem klienta parametriem, atbilst šīs lietošanas instrukcijas lietošanas indikācijām. / Sve plitice prilagođene narudžbi (CTO konfiguracija) koje proizvodi tvrtka Summit Medical potpadaju pod indikacije za upotrebu unutar ovih uputa za upotrebu. / Sve prilagođene tacne koje se konfiguriraju u skladu sa porudžbinom (CTO), a koje proizvodi kompanija Summit Medical, obuhvaćene su indikacijama za upotrebu u ovom uputstvu za upotrebu. / Visų „Summit Medical“ pagal užsakymą pagamintų (CTO) padėklių naudojimo paskirtis tokia pati, kaip aprašyta šioje naudojimo instrukcijoje. / Summit Medical 生产的所有定制按单配置 (CTO) 托盘均属于本 IFU 内使用的适用范围。 / Summit Medical 生产的所有定制按单配置 (CTO) 託盤均屬於本 IFU 内使用的適用範圍。 / Summit Medical이 제조한 모든 맞춤 주문형 구성(CTO) 트레이는 이 IFU 내에서 용도 표시 기재사항에 속합니다. / Summit Medical가製造したすべての注文仕様生産 (CTO: configure-to-order) 트레이は、このIFU内の使用対象範囲内です。

InstruSafe® and Hold-Its are registered trademarks of Summit Medical. Genesis™ is a trademark of CareFusion Corporation. Aesculap® is a registered trademark of B. Braun Company. STERRAD®, 100S®, 100NX® are registered trademarks of Advanced Sterilization Products (ASP) Division of Ethicon, Inc. STERIS®, AMSCO®, V-PRO® 1, V-PRO® 1 Plus, V-PRO® maX and V-PRO® maX 2 are registered trademarks of STERIS Corporation. Sterizone® is a registered trademark of TSO3 Inc. All rights reserved. / InstruSafe® est une marque déposée de Summit Medical. Genesis™ est une marque commerciale de CareFusion Corporation. Aesculap® est une marque déposée de B. Braun. STERRAD®, 100S®, 100NX® sont des marques déposées d'Advanced Sterilization Products (ASP) Division of Ethicon, Inc. STERIS®, AMSCO®, V-PRO® 1, V-PRO® 1 Plus, V-PRO® maX et V-PRO® maX 2 sont des marques déposées de STERIS Corporation. Tous droits réservés. / InstruSafe® and Hold-Its sind eingetragene Marken von Summit Medical. Genesis™ ist eine Marke der CareFusion Corporation. Aesculap® ist eine eingetragene Marke der Firma B. Braun. STERRAD®, 100S®, 100NX® sind eingetragene Marken von Advanced Sterilization Products (ASP), Geschäftsbereich von Ethicon, Inc. STERIS®, AMSCO®, V-PRO® 1, V-PRO® 1 Plus, V-PRO® maX und V-PRO® maX 2 sind eingetragene Marken der STERIS Corporation. Sterizone® ist eine eingetragene Marke von TSO3 Inc. Alle Rechte vorbehalten. / InstruSafe® è un marchio registrato di Summit Medical. Genesis™ è un marchio di CareFusion Corporation. Aesculap® è un marchio registrato di B. Braun Company. STERRAD®, 100S®, 100NX® è un marchio registrato di Advanced Sterilization Products (ASP) Division of Ethicon, Inc. STERIS®, AMSCO®, V-PRO® 1, V-PRO® 1 Plus, V-PRO® maX e V-PRO® maX 2 sono marchi registrati di STERIS Corporation. Tutti i diritti riservati. / InstruSafe® es una marca registrada de Summit Medical. Genesis™ es una marca comercial de CareFusion Corporation. Aesculap® es una marca registrada de B. Braun Company. STERRAD®, 100S®, 100NX® son marcas registradas de Advanced Sterilization Products (ASP) Division of Ethicon, Inc. STERIS®, AMSCO®, V-PRO® 1, V-PRO® 1 Plus, V-PRO® maX y V-PRO® maX 2 son marcas registradas de STERIS Corporation. Todos los derechos reservados. / InstruSafe® e Hold-Its são marcas registradas da Summit Medical. Genesis™ é uma marca comercial da CareFusion Corporation. Aesculap® é uma marca registrada da B. Braun Company. STERRAD®, 100S®, 100NX® são marcas registradas da Advanced Sterilization Products (ASP) Division of Ethicon, Inc. STERIS®, AMSCO®, V-PRO® 1, V-PRO® 1 Plus, V-PRO® maX e V-PRO® maX 2 são marcas registradas da STERIS Corporation. Sterizone® é uma marca registrada da TSO3 Inc. Todos os direitos reservados. / InstruSafe® is een geregistreerd handelsmerk van Summit Medical. Genesis™ is een handelsmerk van CareFusion Corporation. Aesculap® is een geregistreerd handelsmerk van B. Braun Company. STERRAD®, 100S®, en 100NX® zijn geregistreerde handelsmerken van Advanced Sterilization Products (ASP) Division of Ethicon, Inc. STERIS®, AMSCO®, V-PRO® 1, V-PRO® 1 Plus, V-PRO® maX en V-PRO® maX 2 zijn geregistreerde handelsmerken van STERIS Corporation. Alle rechten voorbehouden. / InstruSafe® och Hold-Its är registrerade varumärken som tillhör Summit Medical. Genesis™ är ett varumärke som tillhör CareFusion Corporation. Aesculap® är ett registrerat varumärke som tillhör B. Braun Company. STERRAD®, 100S®, 100NX® är registrerade varumärken som tillhör divisionen Advanced Sterilization Products (ASP) i Ethicon, Inc. STERIS®, AMSCO®, V-PRO® 1, V-PRO® 1 Plus, V-PRO® maX och V-PRO® maX 2 är registrerade varumärken som tillhör STERIS Corporation. Sterizone® är ett registrerat varumärke som tillhör TSO3 Inc. Med ensamrätt. / InstruSafe® er et registreret varemærke tilhørende Summit Medical. Genesis™ er et varemærke tilhørende CareFusion Corporation. Aesculap® er et registreret varemærke tilhørende B. Braun Company. STERRAD®, 100S®, 100NX® er registrerede varemærker tilhørende Advanced Sterilization Products (ASP) Division of Ethicon, Inc. STERIS®, AMSCO®, V-PRO® 1, V-PRO® 1 Plus, V-PRO® maX og V-PRO® maX 2 er registrerede varemærker tilhørende STERIS Corporation. Alle rettigheder forbeholdes. / InstruSafe® ja Hold-Its ovat Summit Medicalin rekisteröityjä tavaramerkkejä. Genesis™ on CareFusion Corporationin tavaramerkki. Aesculap® on B. Braun Companyn rekisteröity tavaramerkki. STERRAD®, 100S®, 100NX® ovat Advanced Sterilization Products (ASP), Ethicon, Inc:in rekisteröityjä tavaramerkkejä. STERIS®, AMSCO®, V-PRO® 1, V-PRO® 1 Plus, V-PRO® maX ja V-PRO® maX 2 ovat STERIS Corporationin rekisteröityjä tavaramerkkejä. Sterizone® TSO3 Inc. -yhtiön rekisteröity tavaramerkki. Kaikki oikeudet pidätetään. / Το InstruSafe® είναι καταχωρημένο σήμα κατατεθέν της Summit Medical. Το Genesis™ είναι σήμα κατατεθέν της CareFusion Corporation. Το Aesculap® είναι καταχωρημένο σήμα κατατεθέν της B. Braun Company. Τα STERRAD®, 100S®, 100NX® είναι σήματα κατατεθέντα της Advanced Sterilization Products (ASP), τμήμα της Ethicon, Inc. Τα STERIS®, AMSCO®, V-PRO® 1, V-PRO® 1 Plus, V-PRO® maX and V-PRO® maX 2 είναι καταχωρημένα σήματα κατατεθέντα της STERIS Corporation. Με την επιφύλαξη όλων των δικαιωμάτων. / InstruSafe® i Hold-Its są zastrzeżonymi znakami towarowymi firmy Summit Medical. Genesis™ jest znakiem towarowym firmy CareFusion Corporation. Aesculap® jest zastrzeżonym znakiem towarowym firmy B. Braun. STERRAD®, 100S®, 100NX® to zastrzeżone znaki towarowe działu Advanced Sterilization Products (ASP) spółki Ethicon, Inc. STERIS®, AMSCO®, V-PRO® 1, V-PRO® 1 Plus, V-PRO® maX i V-PRO® maX 2 są zastrzeżonymi znakami towarowymi firmy STERIS. Sterizone® jest zastrzeżonym znakiem towarowym TSO3 Inc. Wszelkie prawa zastrzeżone. / InstruSafe®, bir Summit Medical tescilli ticari markasıdır. Genesis™, bir CareFusion Corporation ticari markasıdır. Aesculap®, bir B. Braun Company tescilli ticari markasıdır. STERRAD®, 100S®, 100NX®, Advanced Sterilization Products (ASP) Division of Ethicon, Inc. tescilli ticari markalarıdır. STERIS®, AMSCO®, V-PRO® 1, V-PRO® 1 Plus, V-PRO® maX ve V-PRO® maX 2, STERIS Corporation tescilli ticari markalarıdır. Tüm hakları saklıdır. /

InstruSafe® и Hold-Its являются зарегистрированными торговыми марками Summit Medical. Genesis™ является торговой маркой CareFusion Corporation. Aesculap® является зарегистрированной торговой маркой B. Braun Company. STERRAD®, 100S®, 100NX® являются зарегистрированными торговыми марками Advanced Sterilization Products (ASP) Division of Ethicon, Inc. STERIS®, AMSCO®, V-PRO® 1, V-PRO® 1 Plus, V-PRO® maX и V-PRO® maX 2 являются зарегистрированными торговыми марками STERIS Corporation. Sterizone® является зарегистрированной торговой маркой TSO3 Inc.

Все права защищены. / InstruSafe® a Hold-Its jsou registrované ochranné známky společnosti Summit Medical. Genesis™ je obchodní značka společnosti CareFusion Corporation. Aesculap® je registrovaná obchodní značka společnosti B. Braun Company. STERRAD®, 100S®, 100NX® jsou registrované obchodní značky společnosti Advanced Sterilization Products (ASP), divize společnosti Ethicon, Inc. STERIS®, AMSCO®, V-PRO® 1, V-PRO® 1 Plus, V-PRO® maX a V-PRO® maX 2 jsou registrované obchodní značky společnosti STERIS. Sterizone® je registrovaná ochranná známka společnosti TSO3 Inc. Všechna práva vyhrazena. / Az InstruSafe® a Summit Medical bejegyzett védjegye. A Genesis™ a CareFusion Corporation védjegye. Az Aesculap® a B. Braun Company bejegyzett védjegye. STERRAD®, 100S®, A 100NX® az Advanced Sterilization Products (ASP) Division of Ethicon, Inc. bejegyzett védjegyei. A STERIS®, AMSCO®, V-PRO® 1, V-PRO® 1 Plus, V-PRO® maX és V-PRO® maX 2 a STERIS Corporation bejegyzett védjegyei. Minden jog fenntartva. / InstruSafe® a Hold-Its sú registrované ochranné známky spoločnosti Summit Medical. Genesis™ je obchodná známka spoločnosti CareFusion Corporation. Aesculap® je registrovaná obchodná známka spoločnosti B. Braun Company. STERRAD®, 100S®, 100NX® sú registrované ochranné známky spoločnosti Advanced Sterilization Products (ASP) Division of Ethicon, Inc. STERIS®, AMSCO®, V-PRO® 1, V-PRO® 1 Plus, V-PRO® maX a V-PRO® maX 2 sú registrované ochranné známky spoločnosti STERIS Corporation. Sterizone® je registrovaná ochranná známka spoločnosti TSO3 Inc. Všetky práva vyhradené. / InstruSafe® og Hold-Its er registrerte varemerker for Summit Medical. Genesis™ er et varemerke for CareFusion Corporation. Aesculap® er et registrert varemerke for B. Braun Company. STERRAD®, 100S®, 100NX® er registrerte varemerker for Advanced Sterilization Products (ASP) Division of Ethicon, Inc. STERIS®, AMSCO®, V-PRO® 1, V-PRO® 1 Plus, V-PRO® maX og V-PRO® maX 2 er registrerte varemerker for STERIS Corporation. Sterizone® er et registrert varemerke for TSO3 Inc. Med enerett. / InstruSafe® in Rounders® Point Guards® sta registrirana kot blagovna znamka podjetja Summit Medical. Genesis™ je registrirana blagovna znamka korporacije CareFusion. Aesculap® je registrirana blagovna znamka podjetja B. Braun. STERRAD®, 100S®, 100NX® so registrirane blagovne znamke korporacije Advanced Sterilization Products (ASP) Division of Ethicon, Inc. STERIS®, AMSCO®, V-PRO® 1, V-PRO® 1 Plus, V-PRO® maX in V-PRO® maX 2 so registrirane blagovne znamke korporacije STERIS. Sterizone® je registrirana blagovna znamka podjetja TSO3 Inc. Vse pravice pridržane. / InstruSafe® и Hold-Its са регистрирани търговски марки на Summit Medical. Genesis™ е търговска марка на CareFusion Corporation. Aesculap® е регистрирана търговска марка на B. Braun Company. STERRAD®, 100S®, 100NX® са регистрирани търговски марки на делението Advanced Sterilization Products (ASP) на Ethicon, Inc. STERIS®, AMSCO®, V-PRO® 1, V-PRO® 1 Plus, V-PRO® maX и V-PRO® maX 2 са регистрирани търговски марки на STERIS Corporation. Sterizone® е регистрирана търговска марка на TSO3 Inc. Всички права запазени. / InstruSafe® și Hold-Its sunt mărci înregistrate ale Summit Medical. Genesis™ este o marcă înregistrată a CareFusion Corporation. Aesculap® este o marcă înregistrată a B. Braun Company. STERRAD®, 100S®, 100NX® sunt mărci înregistrate ale Advanced Sterilization Products (ASP) Divizie a Ethicon, Inc. STERIS®, AMSCO®, V-PRO® 1, V-PRO® 1 Plus, V-PRO® maX și V-PRO® maX 2 sunt mărci înregistrate ale STERIS Corporation. Sterizone® este o marcă înregistrată a TSO3 Inc. Toate drepturile rezervate. / InstruSafe® ja Hold-Its on ettevõtte Summit Medical registreeritud kaubamärgid. Genesis™ on CareFusion Corporationi kaubamärk. Aesculap® on B. Braun Company registreeritud kaubamärk. STERRAD® 100S® Flex 100NX® on Advanced Sterilization Products (ASP) Division of Ethicon, Inc.-i registreeritud kaubamärgid. STERIS®, AMSCO®, V-PRO® 1, V-PRO® 1 Plus, V-PRO® maX ja V-PRO® maX 2 on STERIS Corporationi registreeritud kaubamärgid. Sterizone® on ettevõtte TSO3 Inc registreeritud kaubamärk. Kõik õigused kaitstud. / InstruSafe® un Hold-Its ir registrētas Summit Medical prečzīmes. Genesis™ ir korporācijas CareFusion Corporation prečzīme. Aesculap® ir uzņēmuma B. Braun Company reģistrēta prečzīme. STERRAD®, 100S®, 100NX® ir uzņēmuma Advanced Sterilization Products (ASP) Division of Ethicon, Inc. reģistrēta prečzīme. STERIS®, AMSCO®, V-PRO® 1, V-PRO® 1 Plus, V-PRO® maX un V-PRO® maX 2 ir korporācijas STERIS Corporation reģistrētas prečzīmes. Sterizone® ir TSO3 Inc reģistrēta prečzīme. Visas tiesības paturētas. / InstruSafe® je registrirani zaštitni znak tvrtke Summit Medical. Genesis™ je zaštitni znak tvrtke CareFusion Corporation. Aesculap® je registrirani zaštitni znak tvrtke B. Braun Company. STERRAD®, 100S®, 100NX® su registrirani zaštitni znakovi tvrtke Advanced Sterilization Products (ASP) Division of Ethicon, Inc. STERIS®, AMSCO®, V-PRO® 1, V-PRO® 1 Plus, V-PRO® maX i V-PRO® maX 2 su registrirani zaštitni znakovi tvrtke STERIS Corporation. Sva prava pridržana. / InstruSafe® i Hold-Its su registrovani žigovi kompanije Summit Medical. Genesis™ je registrovani žig korporacije CareFusion. Aesculap® je registrovani žig kompanije B. Braun. STERRAD®, 100S®, 100NX® su registrovani žigovi kompanije Advanced Sterilization Products (ASP), odeljenja kompanije Ethicon, Inc. STERIS®, AMSCO®, V-PRO® 1, V-PRO® 1 Plus, V-PRO® maX i V-PRO® maX 2 su registrovani žigovi korporacije STERIS. Sterizone® je registrovani žig kompanije TSO3 Inc. Sva prava zadržana. / „InstruSafe®“ ir „Hold-Its“ yra registruotieji bendrovės „Summit Medical“ prekių ženklai. „Genesis™“ yra „CareFusion Corporation“ prekių ženklas. „Aesculap®“ yra registruotasis „B. Braun Company“ prekių ženklas. „STERRAD®“, „100S®“, „100NX®“ yra registruotieji „Advanced Sterilization Products (ASP) Division of Ethicon, Inc.“ prekių ženklai. „STERIS®“, „AMSCO®“, „V-PRO® 1“, „V-PRO® 1 Plus“, „V-PRO® maX“ ir „V-PRO® maX 2“ yra registruotieji „STERIS Corporation“ prekių ženklai. „Sterizone®“ yra registruotasis „TSO3 Inc“ prekės ženklas. Visos teisės saugomos. / InstruSafe® 是 Summit Medical 的注册商标。Genesis™ 是 CareFusion Corporation 的商标。Aesculap® 是 B. Braun Company 的注册商标。STERRAD®, 100S®, 100NX® 是 Ethicon, Inc.的 Advanced Sterilization Products (ASP) Division 的注册商标。STERIS®, AMSCO®, V-PRO® 1, V-PRO® 1 Plus, V-PRO® maX 和 V-PRO® maX 2 是 STERIS Corporation 的注册商标。保留所有权利。/ InstruSafe® 和 Hold-Its 是 Summit Medical 的注册商标。Genesis™ 是 CareFusion Corporation 的注册商标。Aesculap® 是 B. Braun Company 的注册商标。STERRAD®, 100S®, 100NX® 是 Ethicon, Inc.的 Advanced Sterilization Products (ASP) Division 的注册商标。STERIS®, AMSCO®, V-PRO® 1, V-PRO® 1 Plus, V-PRO® maX 和 V-PRO® maX 2 是 STERIS Corporation 的注册商标。Sterizone® 是 TSO3 Inc.的注册商标。保留所有权利。/ InstruSafe® 및 Rounders® Point Guards®는 Summit Medical의 등록 상표입니다. Genesis™는 CareFusion Corporation의 상표입니다. Aesculap®은 B. Braun Company의 등록 상표입니다. STERRAD®, 100S®, 100NX®는 Advanced Sterilization Products (ASP) Division of Ethicon, Inc.의 등록 상표입니다. STERIS®, AMSCO®, V-PRO® 1, V-PRO® 1 Plus, V-PRO® maX, V-PRO® maX 2는 STERIS Corporation의 등록 상표입니다. Sterizone®은 TSO3 Inc.의 등록 상표입니다. 판권 소유. / InstruSafe®は、Summit Medicalの登録商標です。Genesis™はCareFusion Corporationの商標です。Aesculap®は、B. Braun Companyの登録商標です。STERRAD®, 100S®, 100NX®は、Ethicon社のAdvanced Sterilization Products (ASP) 部門の登録商標です。STERIS®, AMSCO®, V-PRO®1, V-PRO® 1 Plus, V-PRO® maX, V-PRO® maX 2は、STERIS Corporationの登録商標です。全著作権所有。

Symbol Reference Key / Définition des symboles / Symbollegende / Legenda dei simboli / Definición de los símbolos / Chave de referência de símbolo / Symbol referentiecode / Symbol Referensnyckel / Symbolreferencenøgle/ Symbolien merkitys / Υπόμνημα συμβόλων / Objasnienie symboli / Sembol Referans Anahtar / Расшифровка символов / Použité symboly / Szimbólumok magyarázata / Referenčný kľúč k symbolom / Symbolreferansenøkkel / Referenčni ključ simbola / Легенда на символите / Legenda simbolurilor / Symbollite legend / Afsaue uz simboliem / Referentni ključ simbola / Legenda simbola / Simbolių paaiškinimas / 符號參考圖例 / 符號參考圖例 / 기호 참조 키 / 重要な参照記号	
	Consult instructions for use / Consulter le mode d'emploi / Gebrauchsanweisung beachten / Consultare le istruzioni per l'uso / Consultar las instrucciones de uso / Consulte as instruções de uso / Raadpleeg de gebruiksaanwijzingen / Se bruksanvisning / Se bruksanvisningen / Lue käyttöohjeet / Συμβουλευθείτε τις οδηγίες χρήσης / Należy zapoznać się z instrukcją użytkowania / Kullanna talimallarina başvurun / См. инструкцию по применению / Přečtěte si návod k použití / Olvassa el a használati útmutatót / Pozrite návod na použitie / Se bruksanvisningen / Oglejte si navodila za uporabo / Направте справка в инструкциите за употреба / Consultați instrucțiunile de utilizare / Vaadake kasutusjuhendit / Skatīt lietošanas instrukciju / Pročitajte upute za upotrebu / Pogledajte uputstvo za upotrebu / Žr. nauđojimo instrukciju / 请参阅使用说明书 / 請參閱使用說明書 / 사용 지침 참조 / 使用說明書を参照してください
	Quantity / Quantité / Menge / Quantità / Cantidad / Quantidade / Aantal / Antal / Antal/ Määrä / Ποσότητα/ Ilość / Miktar / Количество / Množství / Mennyiség/ Množstvo / Mengde / Količina / Количество / Cantitate / Kogus / Daudzums / Količina / Količina / Kiekis / 量 / 數量
	Non-sterile / Non stérile / Nicht steril / Non sterile / No estéril / Não esterelizado / Niet-steriel / Ej steril / Ikke-steril / Ei steriili / Μη αποστειρωμένο/ Niesterylny / Steril deǵildir / Нестерильно / Nesterilní / Nem steril / Nesterilné / Ikke steril / Nesterilno / Нестерильно / Nesteril / Mitesteriiline / Nesterilis / Nesterilino / Nesterilino / Nesterilu / 非灭菌 / 非滅菌 / 비-멸균 / 非滅菌
	Catalogue number / Numéro de référence / Bestellnummer / Codice catalogo / Número de catálogo / Número do catálogo / Catalogusnummer / Katalognummer / Katalognummer/ Luettelonumero / Αριθμός καταλόγου / Numer katalogowy / Katalog numaras / Каталогный номер / Katalogové číslo / Katalógusszám / Katalógové číslo / Katalognummer / Kataloška številka / Каталоген номер / Număr de catalog / Katalooginumber / Kataloga numurs / Kataloški broj / Kataloški broj / Katalogo numeris / 目录号 / 目錄號 / 카탈로그 번호 / カタログ番号
	Batch Code / Code de lot / Chargennummer / Codice lotto / Código del lote/ Número do catálogo / Batchcode / Satskod / Batchcode/ Eräkoodi / Κωδικός παρτίδας / Kod partii / Parti Kodu / Код партии / Kód šarže / Gyártási tétel kódja / Katalógové číslo / Partikode / Koda serije / Код на партида / Cod lot / Partii kood / Sērijas numurs / Šifra serije / Kód serije / Partijos kodas / 批号 / 批號 / 배치 코드 / バッチコード
	Date of Manufacture / Date de fabrication / Herstellungsdatum / Data di produzione / Fecha de fabricación / Data de fabricaço / Productiedatum / Tillverkningsdatum / Fremstillingsdato/ Valmistuspäivä / Ημερομηνία κατασκευής/ Data produkci / Üretim Tarihi / Дата производства / Datum výroby / Gyártás dátuma / Datum výroby / Produktionsdato / Datum proizvodnje / Дата на производство / Data de fabricație / Tootmiskuurpäev / Izgatavošanas datums / Datum proizvodnje / Datum proizvodnje / Pagaminimo data / 生产日期 / 生產日期 / 제조일 / 製造日
	Caution / Attention / Vorsicht / Attenzione / Atención / Cuidado / Opgeet / Forsiktighet / Forsigtig/ Varoitus / Προσοχή / Uwaga / Dikkat / Внимание / Upozornění / Figyelem / Upozornenie / Forsiktig / Pozor / Внимание / Atenționare / Ettevaatus / Uzmanību / Oprez / Oprez / Dēmesio / 注意 / 注意 / 주의 / 注意
	Manufacturer / Fabricant / Hersteller / Produttore / Fabricante / Fabricante / Fabrikant / Tillverkare / Producent/ Valmistaja / Κατασκευαστής / Producent / Üretici / Производитель / Výrobce / Gyártó / Výrobca / Produsent / Proizvajalec / Производител / Producător / Toolja / Ražotājs / Proizvođač / Proizvođač / Gamintojas / 制造商 / 製造商 / 제조사 / 製造元
	Country of Manufacture (Made in the US) / Pays de fabrication (Fabriqué aux États-Unis) / Herstellungsland (Hergestellt in den USA) / Paese di produzione (fabbricato negli Stati Uniti) / País de fabricación (Hecho en los EE. UU.) / País de fabricaço (fabricado nos EUA) / Land van herkomst (gemaakt in de Verenigde Staten) / Tillverkningsland (Tillverkad i USA) / Fremstillingsland (fremstillet i USA) / Valmistusmaa (valmistettu Yhdysvalloissa) / Χώρα κατασκευής (Κατασκευάστηκε στις ΗΠΑ) / Kraj produkcji (Wyprodukowano w USA) / Üretildiği Ülke (ABD de üretilmiştir) / Страна производства (Сделано в США) / Zeme výroby (vyrobeno v USA) / Gyártó ország (Készült az USA-ban) / Krajina výroby (vyrobené v USA) / Produksjonsland (produsert i USA) / Država proizvodnje (izdelano v ZDA) / Страна производител (Произведено в САЩ) / Tara de fabricație (fabricat în SUA) / Valmistajariik (valmistatud USA-s) / Ražotāja valsts (ražots ASV) / Zemlja proizvođača (proizvedeno u SAD-u) / Zemlja proizvodnje (proizvedeno u SAD) / Pagaminimo šalis (pagaminta JAV) / 生产国 (美国制造) / 生產國 (美國製造) / 제조국(미국산) / 製造国 (米國製)
	Do not use if package is damaged / Ne pas utiliser si l'emballage est endommagé / Beschädigte Verpackung nicht verwenden / Non utilizzare se la confezione è danneggiata / No utilizar si el envase está dañado / Não use se o pacote estiver danificado / Niet gebruiken als de verpakking beschadigd is / Får inte användas om förpackningen är skadad / Må ikke bruges, hvis emballagen er beskadiget/ Ålã käyttää, jos pakkaus on vahingoittunut / Να μη χρησιμοποιείται αν η συσκευασία είναι καταστραμμένη / Nie używać, jeśli opakowanie jest uszkodzone / Ambalaj hasarlıysa kullanmayın / He использовать, если упаковка повреждена / Nepoužívejte, pokud je obal poškozen / Ne használja, ha sérült a csomag / Nepoužívejte, ak je obal poškodený / Ikke bruk hvis det er skader på forpakningen / Ne uporabljajte, če je embalaža poškodovana / Да не се използва, ако опаковката е повредена / Nu utilizați dacă ambalajul este deteriorat / Mitte kasutada, kui pakend on viga saanud / Nelietot, ja iepakojums ir bojāts / Nemojte upotrebljavati ako je ambalaža oštećena / Ne koristite ako je pakovanje oštećeno / Nenaudokite, jei pažeista pakuotė / 如果包裝破損，請勿使用 / 포장에 손상된 경우 사용하지 마십시오 / 梱包が破損している場合は使用しないこと
	Medical Device / Dispositif médical / Medizinprodukt / Dispositivo medico / Dispositivo médico / Aparelho médico / Medisch hulpmiddel / Medicinsk apparat / Medicinsk udstyr/ Lääkintälaite / Ιατρική συσκευή / Wyrób medyczny / Tibbi Cihaz / Медицинское изделие / Zdravotnický prostředek / Orvosi eszköz / Zdravotnícka pomôcka / / Medicinsk udstyr / Medicinski priporoček / Медицинско изделие / Dispozitiv medical / Meditsiiniseade / Medicínska ierice / Medicinski uređaj / Medicinsko sredstvo / Medicinos prietaisais / 醫療器械 / 醫療器械 / 의료 기기 / 醫療機器
	Unique Device Identifier / Identifiant unique du dispositif (UDI) / Eideutige Gerätekennung / ID univoco del dispositivo / Identificador único de dispositivo / Identificador de dispositivo exclusivo / Uniek apparaat-id / Unik enhetsidentifierare / Unik enheds-id / Yksilöllinen laitetunniste / Μοναδικό αναγνωριστικό συσκευής / Unikálny identifikátor zariadenia / Benzersiz Cihaz Kimliği / Унікальний ідентифікаційний номер изделия / Jediněčný identifikátor prostředku / Egyedi eszközazonosító / Jediněčný identifikátor zariadenia / UDI (Unique Device Identifier) / Edinstveni identifikator priročka / Унікален ідентифікатор на изделию / Identificator unic de dispozitiv / Seadme kordumatu identifitseerimistunnus / Ierīces unikālais identifikators / Jedinstveni identifikator uređaja / Jedinstveni identifikator uređaja / Unikalus prietaiso identifikatorius / 唯一設備標識符 / 唯一設備標識符 / 기기 고유 식별자 / 機器固有識別子
<p>Not made with natural rubber latex. / Sans latex naturel. / Ohne Naturkautschuklatex hergestellt / Realizzato senza lattice di gomma naturale / No está fabricado con látex de caucho natural. / Não fabricado com látex de borracha natural. / Niet gemaakt met natuurlijk rubber latex. / Ej tillverkad med latex naturgummi. / Ikke fremstillet med naturgummilætex. / Ei sisällä luonnonkumilätekcia. / Δεν κατασκευάζεται με τη χρήση φυσικού λάτεξ. / Nie jest wykonana z naturalnego lateksu gumowego. / Doğal kauçuk lateksten yapılmamıştır. / При производстве не использовался латекс натурального каучука. / Při výrobě nebyl použit přírodní kaučukový latex. / Nem természetes gumilatexből készült. / Nie je vyrobené z prírodného latexu. / Ikke laget med naturlig gummilætex. / Ni izdelano iz lateksa iz naravne gume. / He съдържа естествен каучуков латекс. / Nu este fabricat din latex de cauciuc natural. / Pole valmistatud loodusliku kummlateksiga. / Nesatur dabīgā kaučuka lateksu. / Nije proizveden od prirodnog gumenog lateksa. / Ne sadrži prirodni gumeni lateks. / Pagaminta nenaudojant gamtinio kaučiuko latekso. / 并非由天然胶乳制成。 / 並非由天然膠乳製成。 / 천연 고무 라텍스로 제작되지 않음. / 天然ゴムラテックス製ではありません。</p>	



AN INNOVIA MEDICAL COMPANY

Summit Medical LLC
815 Vikings Parkway, Suite 100
St. Paul, MN 55121 | USA

P: 1-888-229-2875 | +1 651-789-3939
F: 1-888-229-1941 | +1 651-789-3979
www.summitmedicalusa.com

IFU-40192-02 | RevC | JULY2022